

DATA SHEET

Three Phase Induction Motor - Squirrel Cage



Customer :		
Product line	: JP Pump NEMA Premium Efficiency Three-Phase	
Product code :	12951406	
Catalog # :	01536OT3E215JPV-S	
Frame	: 213/5JP	
Insulation class	: F	
Duty cycle	: Cont.(S1)	
Ambient temperature	: -20°C to +40°C	
Altitude	: 1000 m.a.s.l.	
Design	: B	
Cooling method	: IC01 - ODP	
Mounting	: W-6	
Rotation ¹	: Both (CW and CCW)	
Starting method	: Direct On Line	
Approx. weight ²	: 141 lb	
Moment of inertia (J)	: 0.5512 sq.ft.lb	
Output [HP]	15	
Poles	2	
Frequency [Hz]	60	
Rated voltage [V]	230/460	
Rated current [A]	34.4/17.2	
L. R. Amperes [A]	234/117	
LRC [A]	6.8x(Code G)	
No load current [A]	12.3/6.17	
Rated speed [RPM]	3535	
Slip [%]	1.81	
Rated torque [ft.lb]	22.3	
Locked rotor torque [%]	210	
Breakdown torque [%]	280	
Service factor	1.15	
Temperature rise	80 K	
Locked rotor time	14s (cold) 8s (hot)	
Noise level ²	66.0 dB(A)	
Efficiency (%)	25%	90.1
	50%	90.2
	75%	90.2
	100%	90.2
Power Factor	25%	0.50
	50%	0.77
	75%	0.86
	100%	0.89
Bearing type	: <u>Drive end</u> 6209 ZZ <u>Non drive end</u> 6206 ZZ	
Sealing	: Without Without Bearing Seal Bearing Seal	
Lubrication interval	: - -	
Lubricant amount	: - -	
Lubricant type	: Mobil Polyrex EM	
Foundation loads	Max. traction : 281 lb Max. compression : 421 lb	
Notes USABLE @208V 38.0A SF 1.00 SFA 38.0A		
This revision replaces and cancel the previous one, which must be eliminated. (1) Looking the motor from the shaft end. (2) Measured at 1m and with tolerance of +3dB(A). (3) Approximate weight subject to changes after manufacturing process. (4) At 100% of full load.		
These are average values based on tests with sinusoidal power supply, subject to the tolerances stipulated in NEMA MG-1.		
Rev.	Changes Summary	
Performed by	Performed	
Checked by	Checked	
Date	Date	
13/04/2022		
Page	Revision	
1 /		

TORQUE AND CURRENT VS SPEED CURVE

Three Phase Induction Motor - Squirrel Cage



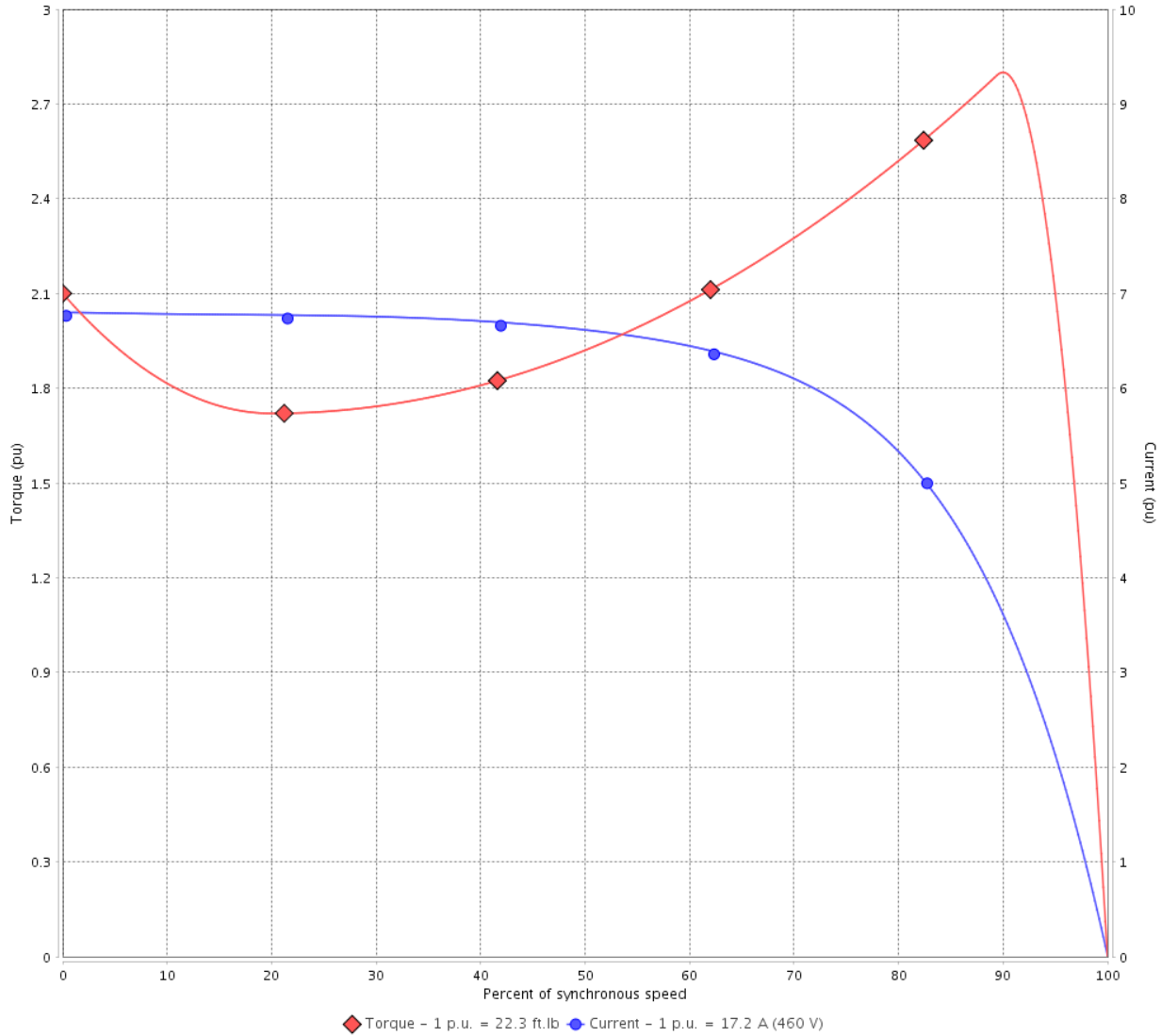
Customer :

Product line : JP Pump NEMA Premium
Efficiency Three-Phase

Product code : 12951406

Catalog # : 01536OT3E215JPV-S

TORQUE AND CURRENT VS SPEED CURVE



Performance : 230/460 V 60 Hz 2P

Rated current : 34.4/17.2 A
LRC : 6.8
Rated torque : 22.3 ft.lb
Locked rotor torque : 210 %
Breakdown torque : 280 %
Rated speed : 3535 rpm

Moment of inertia (J) : 0.5512 sq.ft.lb
Duty cycle : Cont.(S1)
Insulation class : F
Service factor : 1.15
Temperature rise : 80 K
Design : B

Locked rotor time : 14s (cold) 8s (hot)

Rev.	Changes Summary	Performed	Checked	Date
Performed by			Page 2 /	Revision
Checked by				
Date	13/04/2022			

TORQUE AND CURRENT VS SPEED CURVE



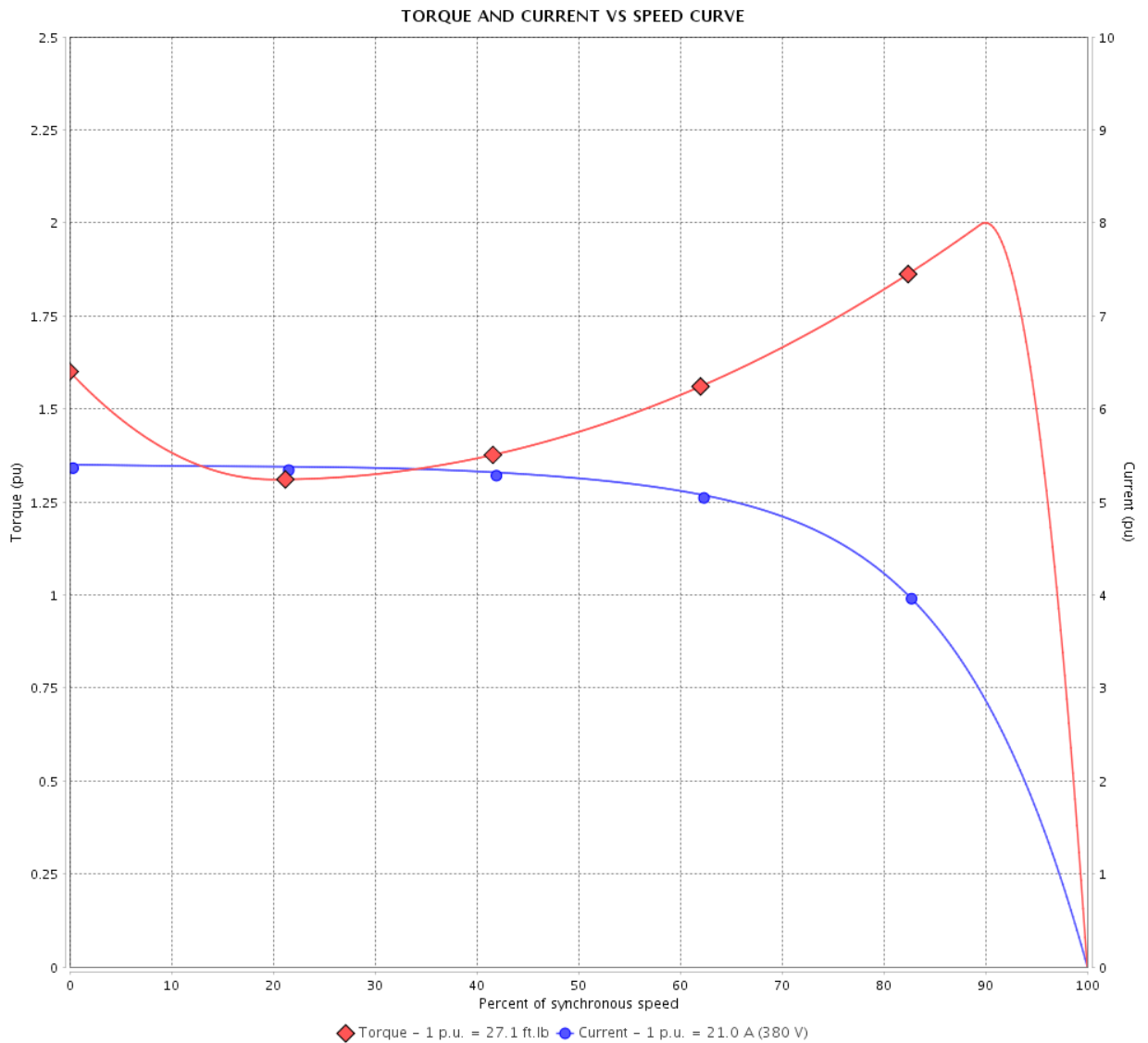
Three Phase Induction Motor - Squirrel Cage

Customer :

Product line : JP Pump NEMA Premium Efficiency Three-Phase

Product code : 12951406

Catalog # : 01536OT3E215JPV-S



Performance : 190/380 V 50 Hz 2P

Rated current : 42.0/21.0 A
 LRC : 5.4
 Rated torque : 27.1 ft.lb
 Locked rotor torque : 160 %
 Breakdown torque : 200 %
 Rated speed : 2905 rpm

Moment of inertia (J) : 0.5512 sq.ft.lb
 Duty cycle : Cont.(S1)
 Insulation class : F
 Service factor : 1.00
 Temperature rise : 105 K
 Design : B

Locked rotor time : 0s (cold) 0s (hot)

Rev.	Changes Summary	Performed	Checked	Date
Performed by			Page 3 /	Revision
Checked by				
Date	13/04/2022			

TORQUE AND CURRENT VS SPEED CURVE

Three Phase Induction Motor - Squirrel Cage



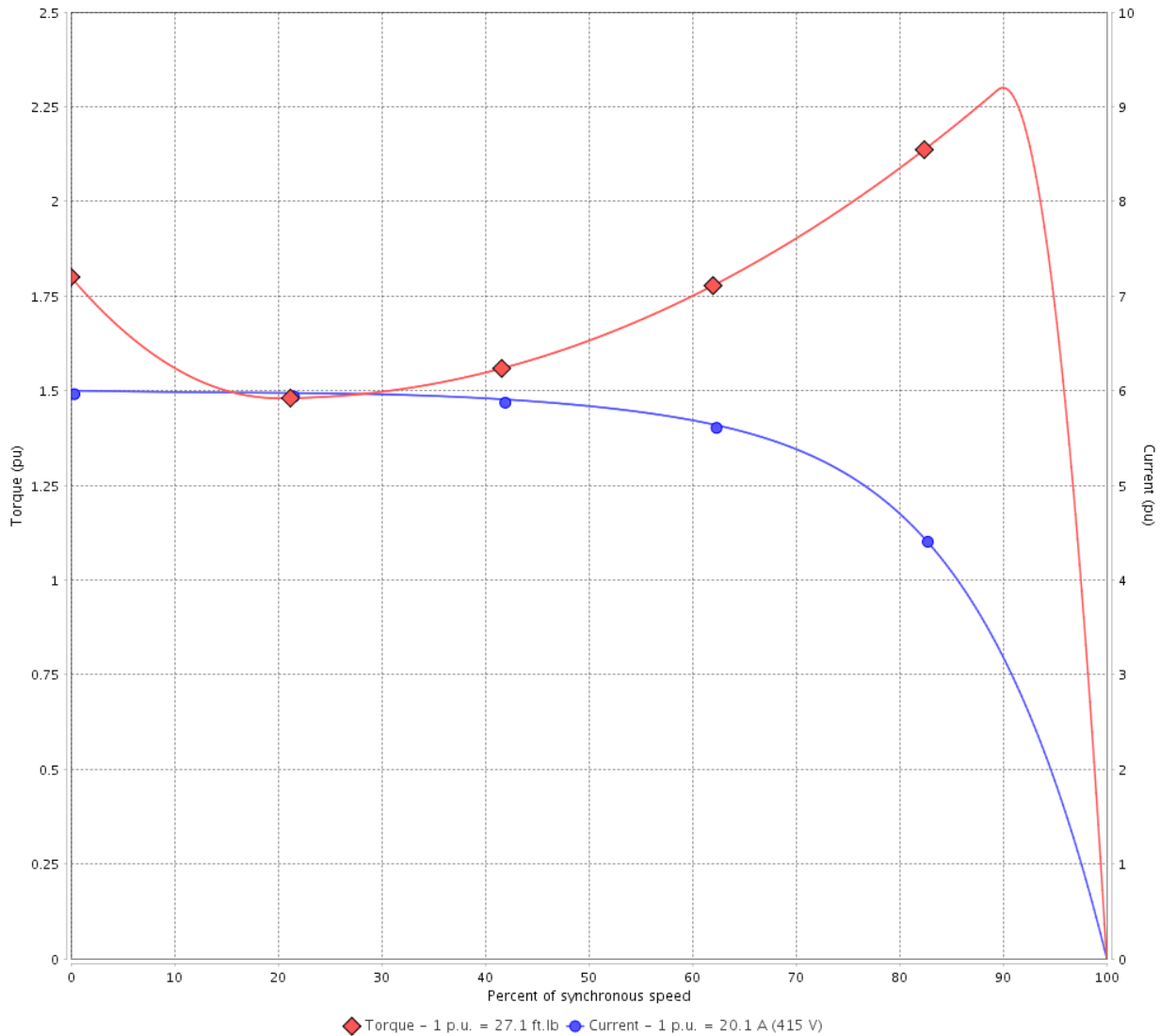
Customer :

Product line : JP Pump NEMA Premium
Efficiency Three-Phase

Product code : 12951406

Catalog # : 01536OT3E215JPV-S

TORQUE AND CURRENT VS SPEED CURVE



Performance : 220/415 V 50 Hz 2P

Rated current	: 37.9/20.1 A	Moment of inertia (J)	: 0.5512 sq.ft.lb
LRC	: 6.0	Duty cycle	: Cont.(S1)
Rated torque	: 27.1 ft.lb	Insulation class	: F
Locked rotor torque	: 180 %	Service factor	: 1.00
Breakdown torque	: 229 %	Temperature rise	: 80 K
Rated speed	: 2910 rpm	Design	: B

Locked rotor time : 0s (cold) 0s (hot)

Rev.	Changes Summary	Performed	Checked	Date
Performed by			Page 4 /	Revision
Checked by				
Date	13/04/2022			

LOAD PERFORMANCE CURVE

Three Phase Induction Motor - Squirrel Cage

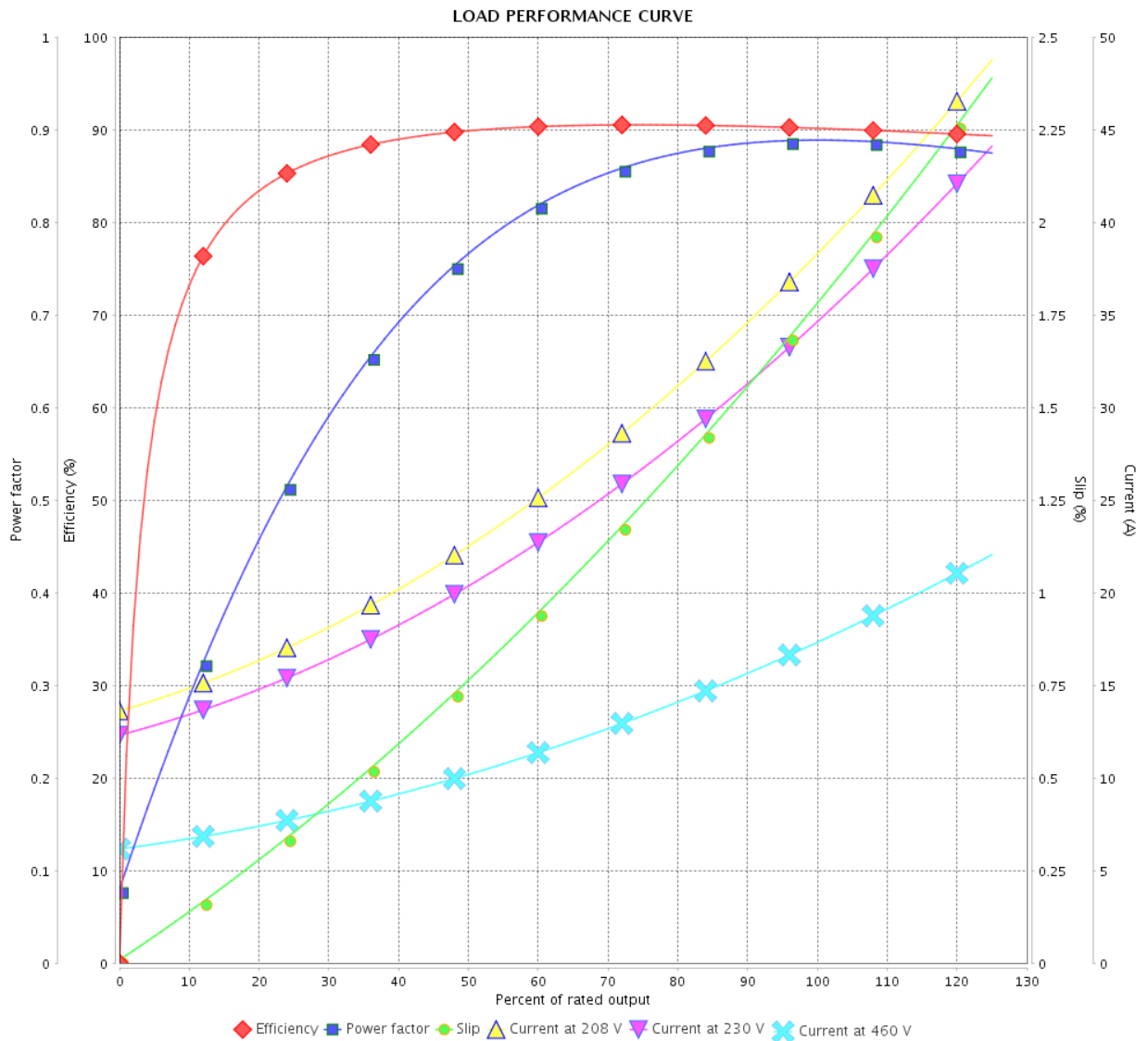


Customer :

Product line : JP Pump NEMA Premium
Efficiency Three-Phase

Product code : 12951406

Catalog # : 01536OT3E215JPV-S



Performance : 230/460 V 60 Hz 2P

Rated current : 34.4/17.2 A
 LRC : 6.8
 Rated torque : 22.3 ft.lb
 Locked rotor torque : 210 %
 Breakdown torque : 280 %
 Rated speed : 3535 rpm

Moment of inertia (J) : 0.5512 sq.ft.lb
 Duty cycle : Cont.(S1)
 Insulation class : F
 Service factor : 1.15
 Temperature rise : 80 K
 Design : B

Rev.	Changes Summary	Performed	Checked	Date
Performed by			Page 5 /	Revision
Checked by				
Date	13/04/2022			

LOAD PERFORMANCE CURVE

Three Phase Induction Motor - Squirrel Cage



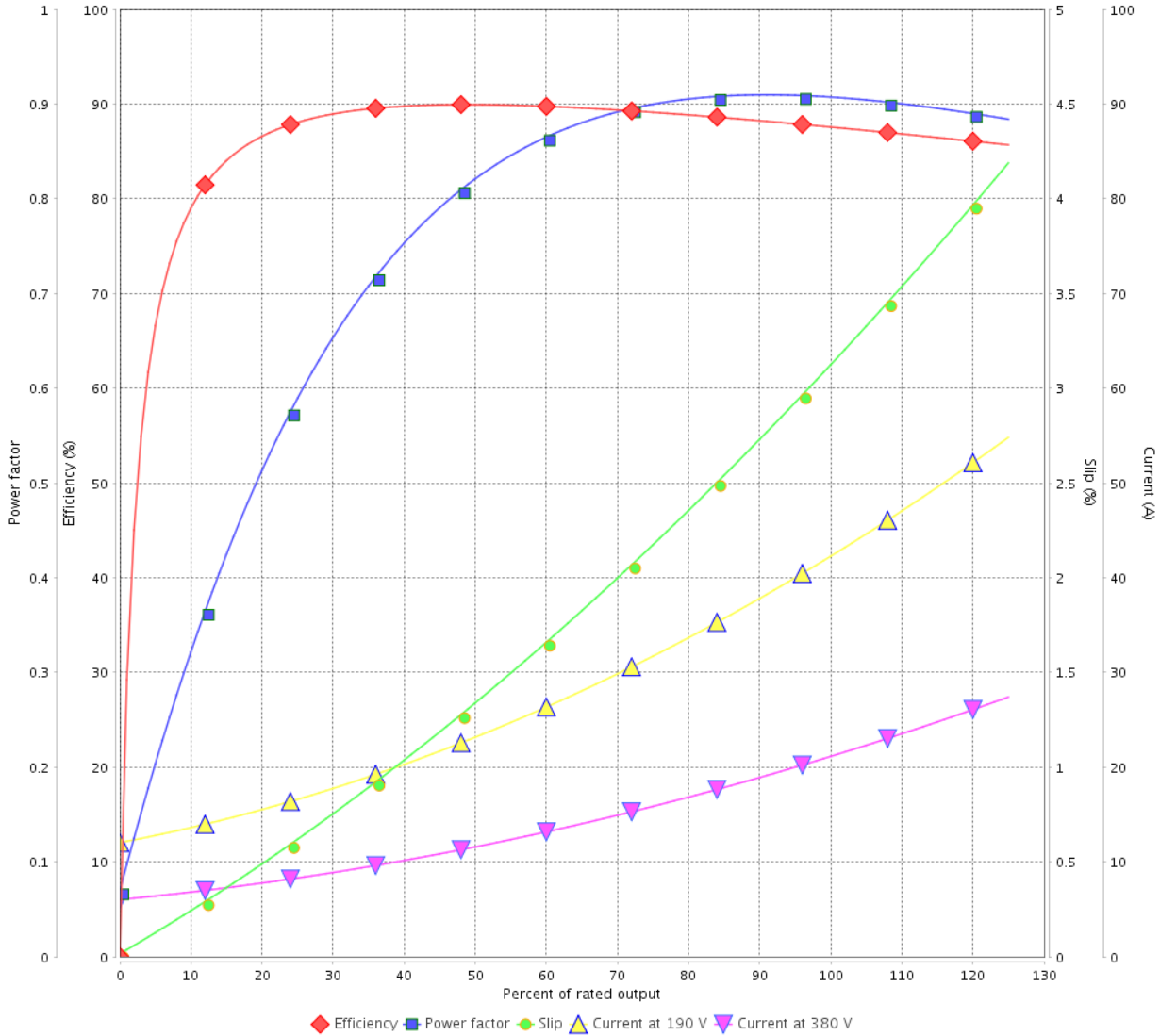
Customer :

Product line : JP Pump NEMA Premium
Efficiency Three-Phase

Product code : 12951406

Catalog # : 01536OT3E215JPV-S

LOAD PERFORMANCE CURVE



Performance : 190/380 V 50 Hz 2P

Rated current : 42.0/21.0 A
LRC : 5.4
Rated torque : 27.1 ft.lb
Locked rotor torque : 160 %
Breakdown torque : 200 %
Rated speed : 2905 rpm

Moment of inertia (J) : 0.5512 sq.ft.lb
Duty cycle : Cont.(S1)
Insulation class : F
Service factor : 1.00
Temperature rise : 105 K
Design : B

Rev.	Changes Summary	Performed	Checked	Date
Performed by			Page	Revision
Checked by				
Date				
			6 /	

LOAD PERFORMANCE CURVE

Three Phase Induction Motor - Squirrel Cage

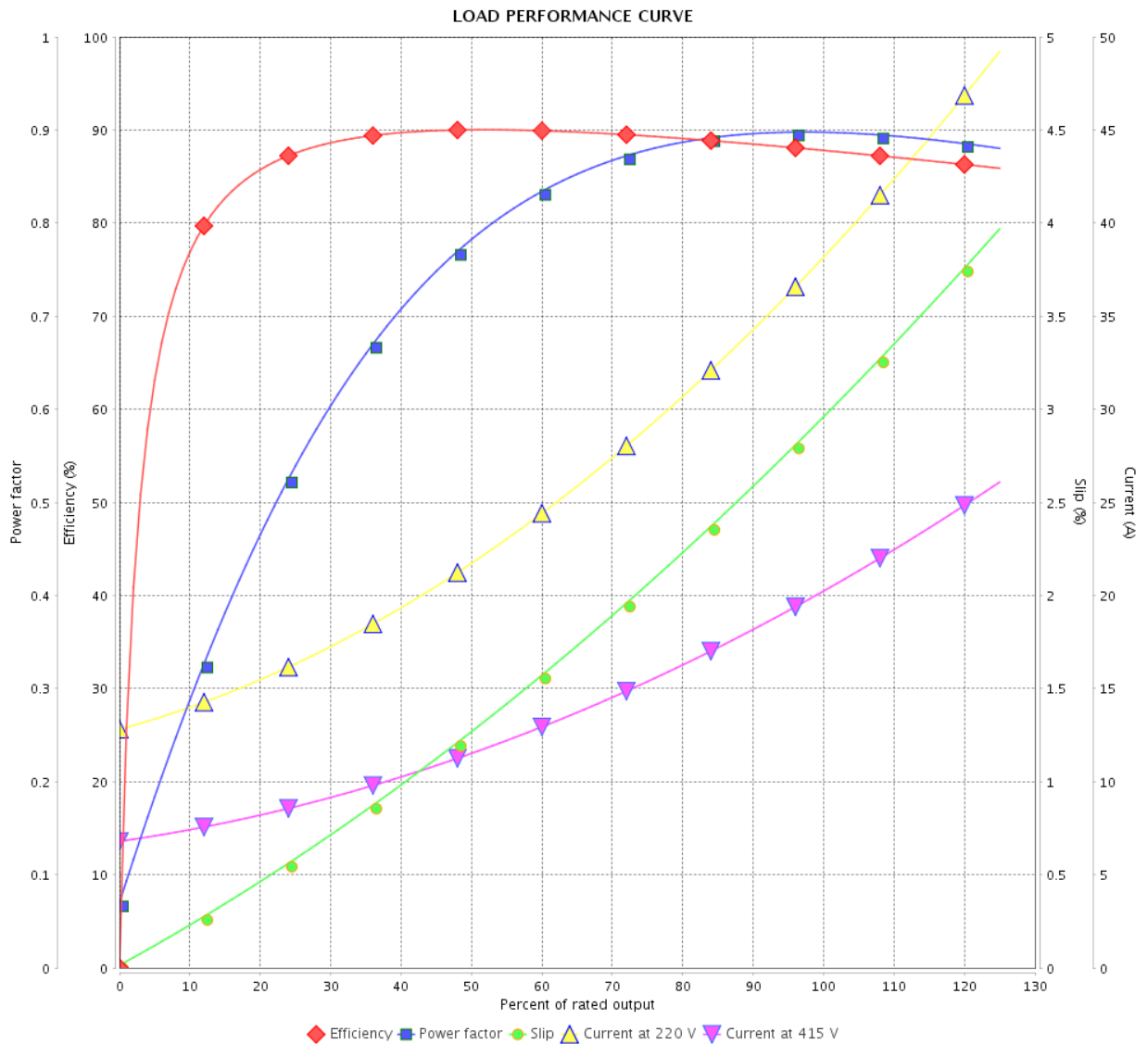


Customer :

Product line : JP Pump NEMA Premium
Efficiency Three-Phase

Product code : 12951406

Catalog # : 01536OT3E215JPV-S



Performance : 220/415 V 50 Hz 2P

Rated current : 37.9/20.1 A
 LRC : 6.0
 Rated torque : 27.1 ft.lb
 Locked rotor torque : 180 %
 Breakdown torque : 229 %
 Rated speed : 2910 rpm

Moment of inertia (J) : 0.5512 sq.ft.lb
 Duty cycle : Cont.(S1)
 Insulation class : F
 Service factor : 1.00
 Temperature rise : 80 K
 Design : B

Rev.	Changes Summary	Performed	Checked	Date
Performed by		Page		Revision
Checked by		7 /		
Date		13/04/2022		

THERMAL LIMIT CURVE



Three Phase Induction Motor - Squirrel Cage

Customer :

Product line : JP Pump NEMA Premium
Efficiency Three-Phase

Product code : 12951406

Catalog # : 01536OT3E215JPV-S

Performance : 230/460 V 60 Hz 2P

Rated current : 34.4/17.2 A
LRC : 6.8
Rated torque : 22.3 ft.lb
Locked rotor torque : 210 %
Breakdown torque : 280 %
Rated speed : 3535 rpm

Moment of inertia (J) : 0.5512 sq.ft.lb
Duty cycle : Cont.(S1)
Insulation class : F
Service factor : 1.15
Temperature rise : 80 K
Design : B

Heating constant

Cooling constant

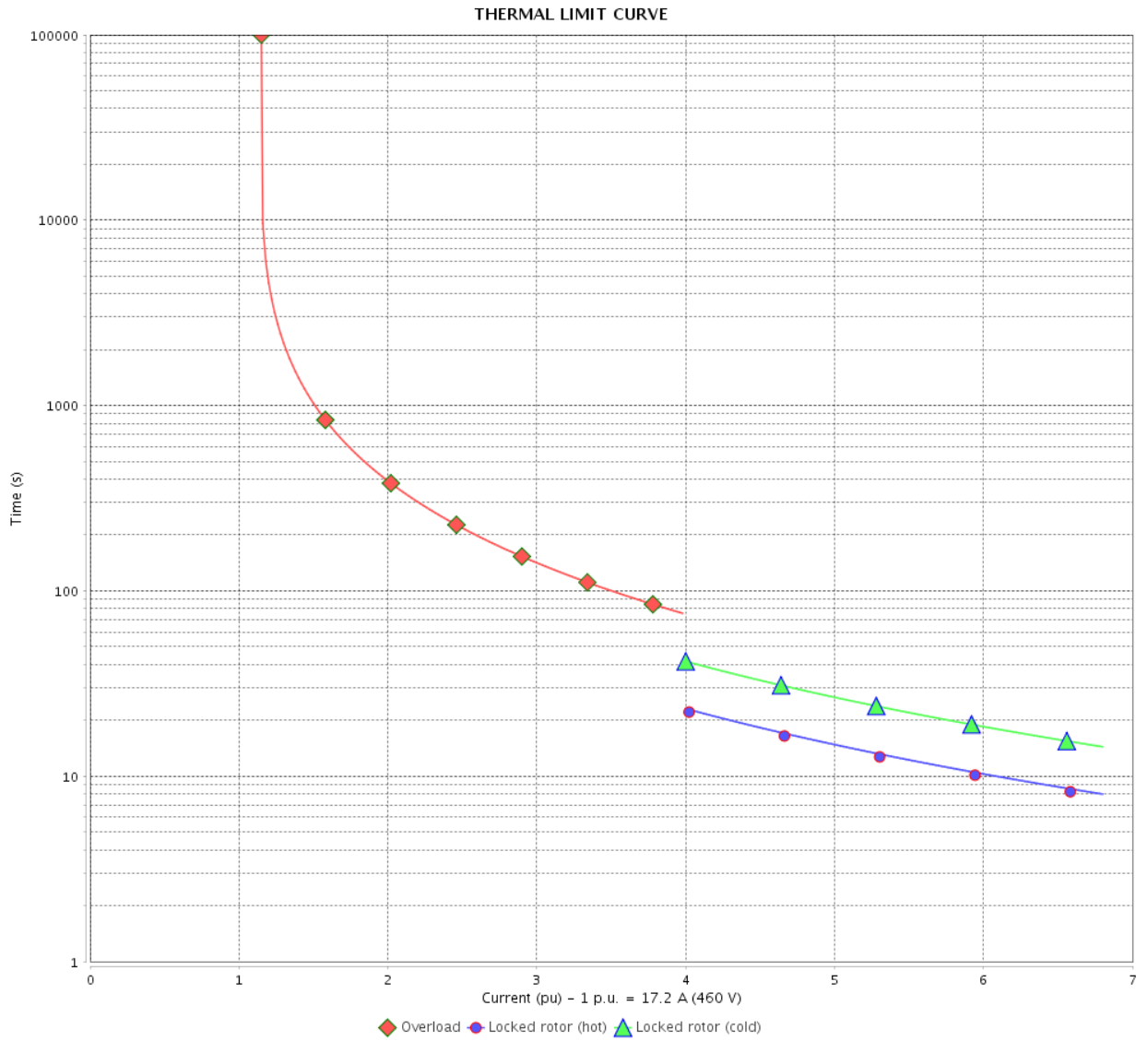
Rev.	Changes Summary	Performed	Checked	Date
Performed by				
Checked by			Page	Revision
Date	13/04/2022		8 /	

THERMAL LIMIT CURVE

Three Phase Induction Motor - Squirrel Cage



Customer : _____



Rev.	Changes Summary	Performed	Checked	Date
Performed by		Page 9 /		Revision
Checked by				
Date				

THERMAL LIMIT CURVE



Three Phase Induction Motor - Squirrel Cage

Customer :

Product line : JP Pump NEMA Premium
Efficiency Three-Phase

Product code : 12951406

Catalog # : 01536OT3E215JPV-S

Performance : 190/380 V 50 Hz 2P

Rated current : 42.0/21.0 A
LRC : 5.4
Rated torque : 27.1 ft.lb
Locked rotor torque : 160 %
Breakdown torque : 200 %
Rated speed : 2905 rpm

Moment of inertia (J) : 0.5512 sq.ft.lb
Duty cycle : Cont.(S1)
Insulation class : F
Service factor : 1.00
Temperature rise : 105 K
Design : B

Heating constant

Cooling constant

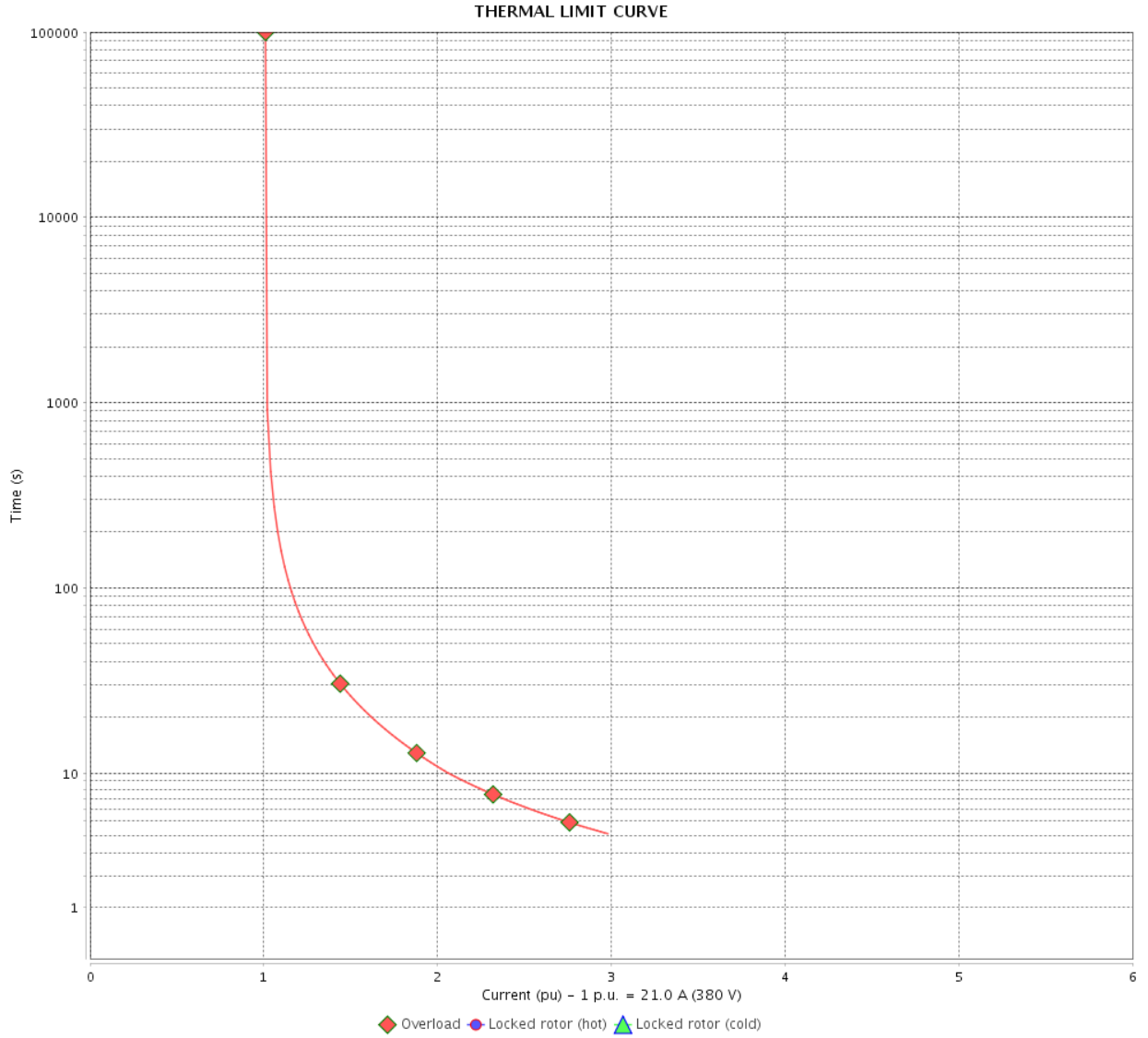
Rev.	Changes Summary	Performed	Checked	Date
Performed by				
Checked by			Page	Revision
Date	13/04/2022		10 /	

THERMAL LIMIT CURVE

Three Phase Induction Motor - Squirrel Cage



Customer : _____



Rev.	Changes Summary	Performed	Checked	Date
Performed by		Page		Revision
Checked by		11 /		
Date		13/04/2022		

THERMAL LIMIT CURVE



Three Phase Induction Motor - Squirrel Cage

Customer :

Product line : JP Pump NEMA Premium
Efficiency Three-Phase

Product code : 12951406

Catalog # : 01536OT3E215JPV-S

Performance : 220/415 V 50 Hz 2P

Rated current : 37.9/20.1 A
LRC : 6.0
Rated torque : 27.1 ft.lb
Locked rotor torque : 180 %
Breakdown torque : 229 %
Rated speed : 2910 rpm

Moment of inertia (J) : 0.5512 sq.ft.lb
Duty cycle : Cont.(S1)
Insulation class : F
Service factor : 1.00
Temperature rise : 80 K
Design : B

Heating constant

Cooling constant

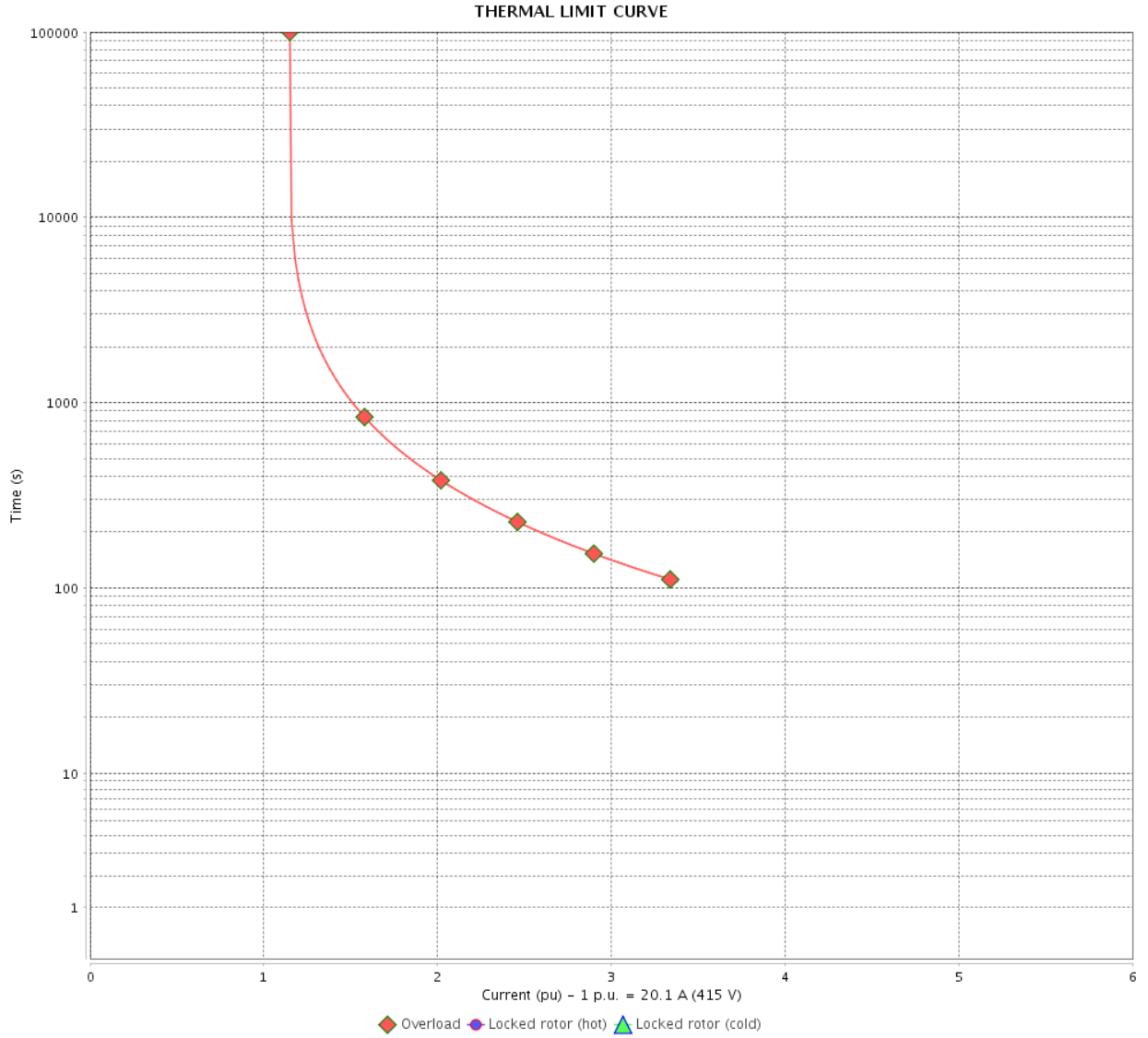
Rev.	Changes Summary	Performed	Checked	Date
Performed by				
Checked by			Page	Revision
Date	13/04/2022		12 /	

THERMAL LIMIT CURVE

Three Phase Induction Motor - Squirrel Cage



Customer : _____



Rev.	Changes Summary	Performed	Checked	Date
Performed by		Page		Revision
Checked by		13 /		
Date		13/04/2022		

VFD OPERATION CURVE

Three Phase Induction Motor - Squirrel Cage



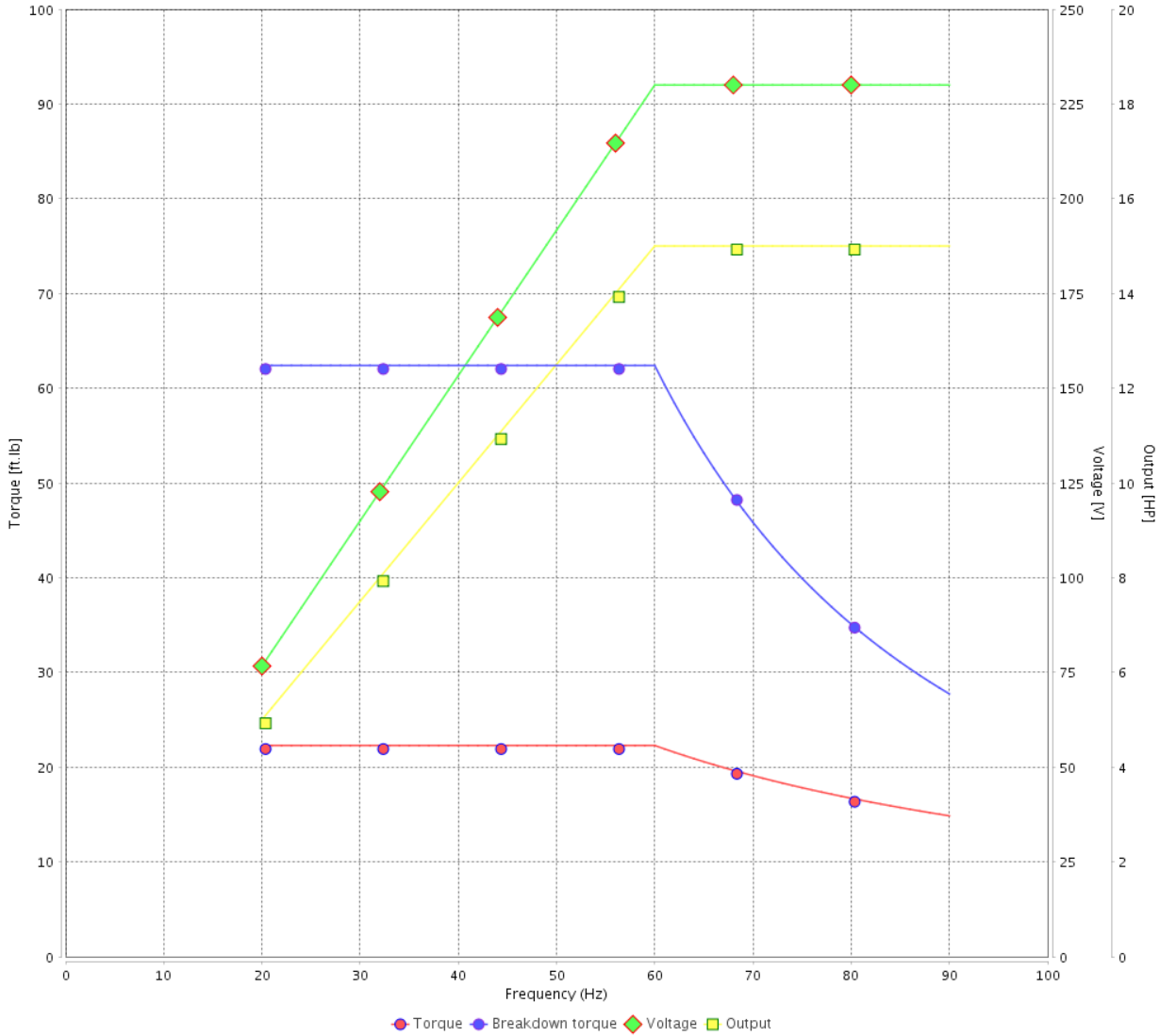
Customer :

Product line : JP Pump NEMA Premium Efficiency Three-Phase

Product code : 12951406

Catalog # : 01536OT3E215JPV-S

VFD OPERATION CURVE



Performance : 230/460 V 60 Hz 2P

Rated current : 34.4/17.2 A
 LRC : 6.8
 Rated torque : 22.3 ft.lb
 Locked rotor torque : 210 %
 Breakdown torque : 280 %
 Rated speed : 3535 rpm

Moment of inertia (J) : 0.5512 sq.ft.lb
 Duty cycle : Cont.(S1)
 Insulation class : F
 Service factor : 1.15
 Temperature rise : 80 K
 Design : B

Rev.	Changes Summary	Performed	Checked	Date
Performed by			Page 14 /	Revision
Checked by				
Date	13/04/2022			

1 2 3 4 5 6

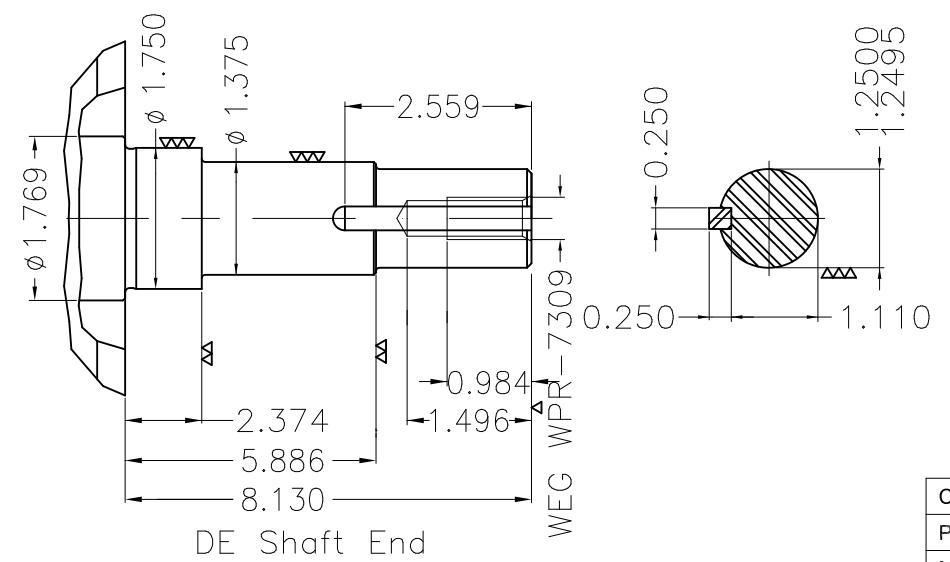
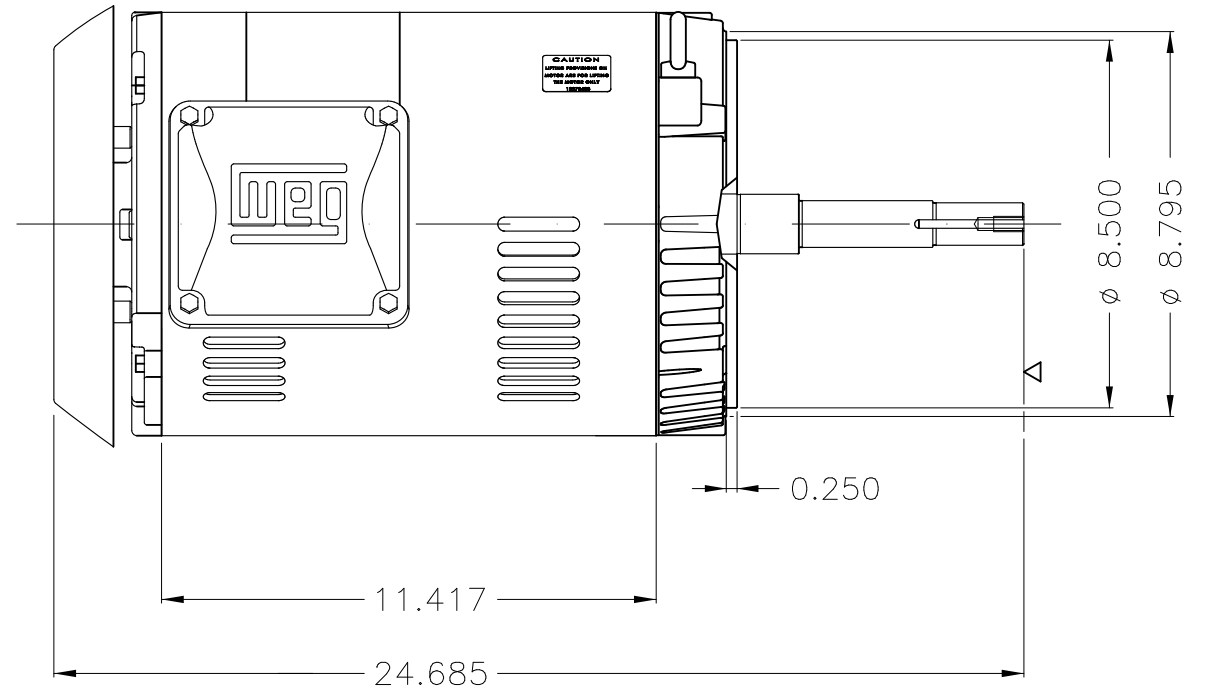
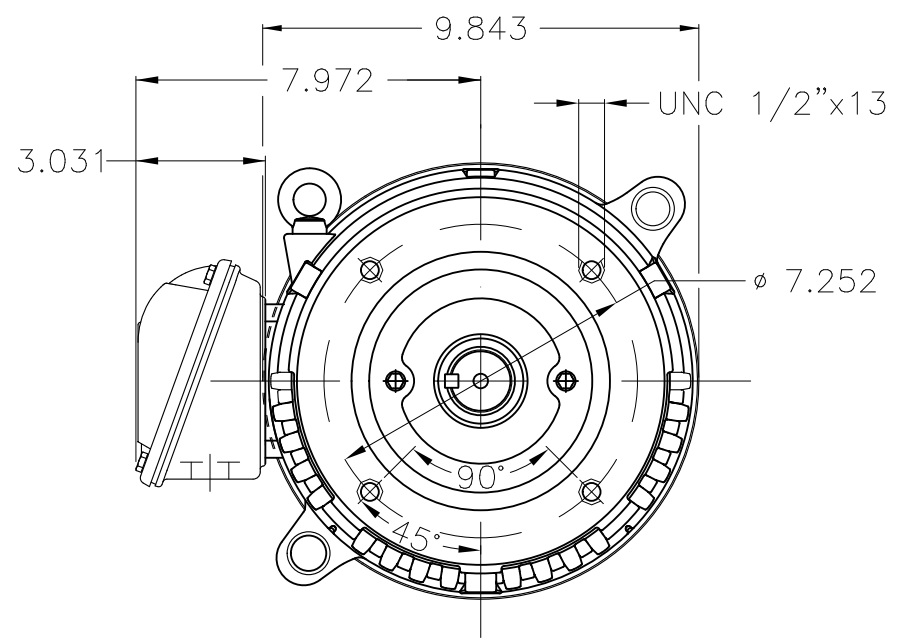
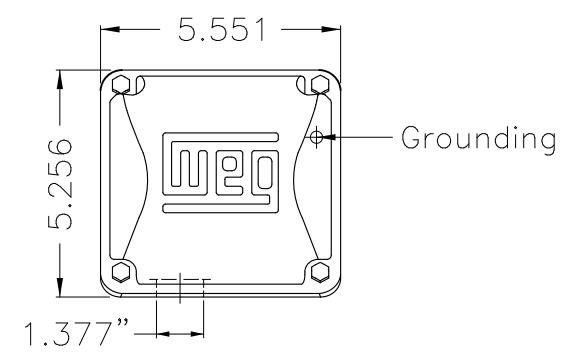
A

B

C

D

E



EUNC 1/2" - 13 WEG WPR-7309

Color Munsell N 1 matte black									
Painting plan 207N									
Mounting W-6/V18R(D)									
ECM	LOC	SUMMARY OF MODIFICATIONS			EXECUTED	CHECKED	RELEASED	DATE	VER
EXECUTED	PIRBUSER	THREE PH. MOTOR ROLLED STEEL CLOSE COUPLED PUMP JP 5/6/18R(D)							
CHECKED		FRAME 213/5JP IP21 ODP							
RELEASED									
REL DT.		WMO	Jaragua do Sul	Product Engineering					

PREVIEW
WDD



15 HP 02 Poles 60 Hz

WEG**NEMA
Premium**3PT9
C US LISTED

Energy Verified

MADE IN MEXICO

MAT: 12951406 CC029A

W01.T00IC0X0N

MODEL 015360T3E215JPV-S

25JUL2018 S/N:

PH 3 FR 213/5JP HP(KW) 15(11) Hz 60

V 230/460

RPM 3535

A 34.4/17.2

DUTY CONT.

SFA 39.6/19.8

CODE G DES B

SF 1.15

INS CL F AT 80K

AMB 40°C

ENCL ODP

PF 0.89

NEMA NOM.EFF. 90.2%

ALT 1000 m.a.s.l. USABLE @ 208V 38.0A SF1.00

ALTERNATE RATING: 15HP 50Hz 190-220/380-415V SF1.00

42.0-36.8/21.0-19.5A 2905RPM EFF 87.6% (IE1) IEC 60034-1



INTERCHANGE ANY TWO LINE WIRES TO REVERSE THE ROTATION

Inverter duty For 60Hz use on VPWM 1000:1 VT, 3:1 CT

DE: 6209-ZZ ODE: 6206-ZZ MOBIL POLYREX EM

WARNING: Motor must be grounded in accordance with local and national electrical codes to prevent serious electrical shocks. Disconnect power source before servicing unit.

AVERTISSEMENT: Le moteur doit être mis à la terre conformément aux codes électriques locaux et nationaux afin d'éviter tout choc électrique grave. Déconnectez l'alimentation avant l'entretien de la machine.

