

# DATA SHEET



## Three Phase Induction Motor - Squirrel Cage

Customer :																						
Product line : JM Pump NEMA Premium Efficiency Three-Phase		Product code : 12676957																				
		Catalog # : 01536OT3H215JM-S																				
Frame : 213/5JM Output : 15 HP (11 kW) Poles : 2 Frequency : 60 Hz Rated voltage : 575 V Rated current : 13.8 A L. R. Amperes : 93.6 A LRC : 6.8x(Code G) No load current : 4.93 A Rated speed : 3535 rpm Slip : 1.81 % Rated torque : 22.3 ft.lb Locked rotor torque : 210 % Breakdown torque : 280 % Insulation class : F Service factor : 1.15 Moment of inertia (J) : 0.5512 sq.ft.lb Design : B		Locked rotor time : 14s (cold) 8s (hot) Temperature rise : 80 K Duty cycle : Cont.(S1) Ambient temperature : -20°C to +40°C Altitude : 1000 m.a.s.l. Cooling method : IC01 - ODP Mounting : F-1 Rotation <sup>1</sup> : Both (CW and CCW) Noise level <sup>2</sup> : 66.0 dB(A) Starting method : Direct On Line Approx. weight <sup>3</sup> : 143 lb																				
Output	25%	50%	75%	100%																		
Efficiency (%)	90.1	90.2	90.2	90.2																		
Power Factor	0.50	0.77	0.86	0.89																		
Foundation loads																						
Max. traction : 280 lb																						
Max. compression : 423 lb																						
<table style="width:100%; border:none;"> <tr> <td></td> <td style="text-align:center;"><u>Drive end</u></td> <td style="text-align:center;"><u>Non drive end</u></td> </tr> <tr> <td>Bearing type :</td> <td style="text-align:center;">6209 ZZ</td> <td style="text-align:center;">6206 ZZ</td> </tr> <tr> <td>Sealing :</td> <td style="text-align:center;">Without Bearing Seal</td> <td style="text-align:center;">Without Bearing Seal</td> </tr> <tr> <td>Lubrication interval :</td> <td style="text-align:center;">-</td> <td style="text-align:center;">-</td> </tr> <tr> <td>Lubricant amount :</td> <td style="text-align:center;">-</td> <td style="text-align:center;">-</td> </tr> <tr> <td>Lubricant type :</td> <td colspan="2" style="text-align:center;">Mobil Polyrex EM</td> </tr> </table>						<u>Drive end</u>	<u>Non drive end</u>	Bearing type :	6209 ZZ	6206 ZZ	Sealing :	Without Bearing Seal	Without Bearing Seal	Lubrication interval :	-	-	Lubricant amount :	-	-	Lubricant type :	Mobil Polyrex EM	
	<u>Drive end</u>	<u>Non drive end</u>																				
Bearing type :	6209 ZZ	6206 ZZ																				
Sealing :	Without Bearing Seal	Without Bearing Seal																				
Lubrication interval :	-	-																				
Lubricant amount :	-	-																				
Lubricant type :	Mobil Polyrex EM																					
Notes																						
This revision replaces and cancel the previous one, which must be eliminated. (1) Looking the motor from the shaft end. (2) Measured at 1m and with tolerance of +3dB(A). (3) Approximate weight subject to changes after manufacturing process. (4) At 100% of full load.			These are average values based on tests with sinusoidal power supply, subject to the tolerances stipulated in NEMA MG-1.																			
Rev.	Changes Summary			Performed	Checked	Date																
Performed by																						
Checked by					Page	Revision																
Date	13/04/2022				1 / 6																	

# TORQUE AND CURRENT VS SPEED CURVE

## Three Phase Induction Motor - Squirrel Cage



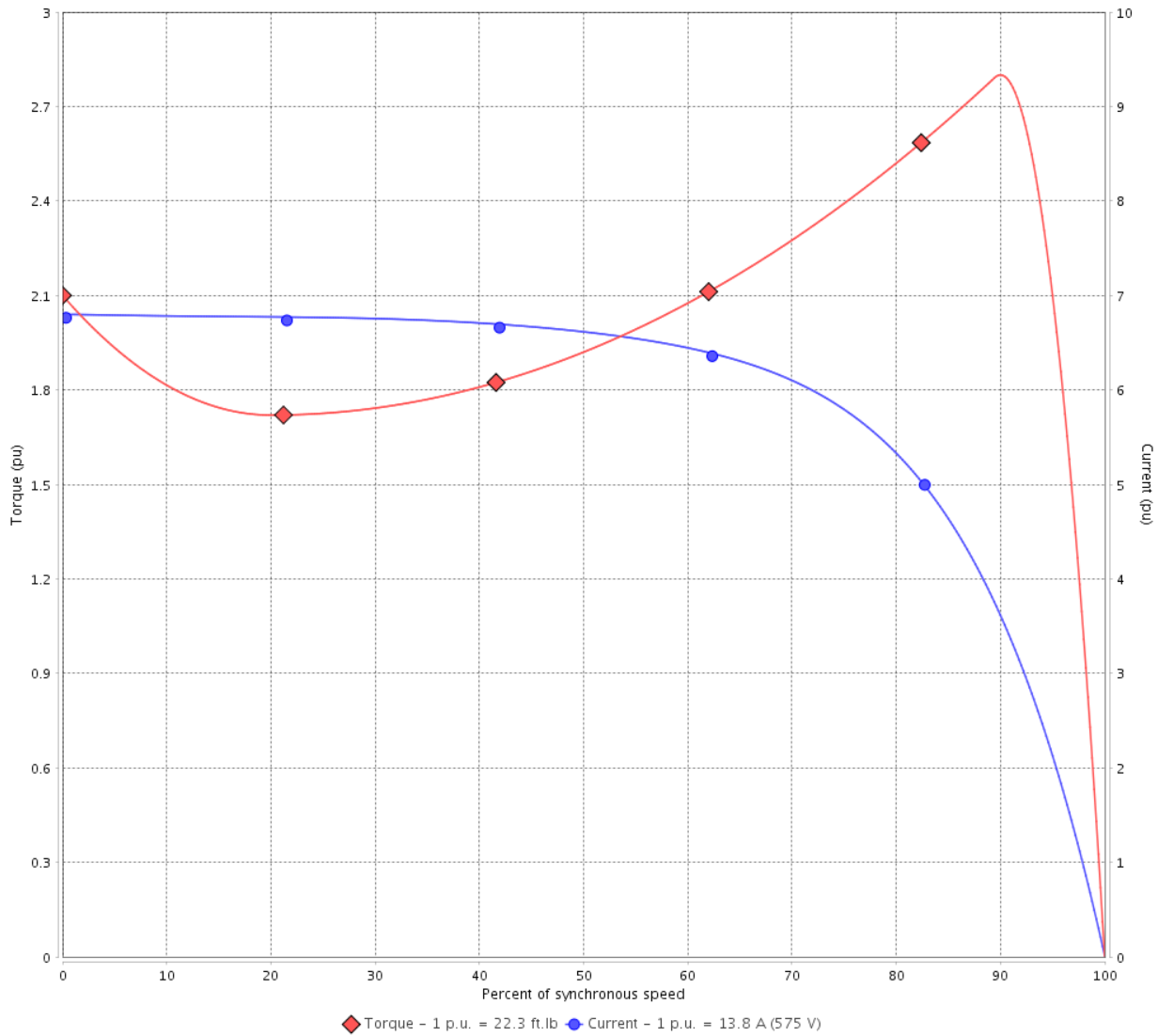
Customer :

Product line : JM Pump NEMA Premium  
Efficiency Three-Phase

Product code : 12676957

Catalog # : 01536OT3H215JM-S

TORQUE AND CURRENT VS SPEED CURVE



Performance : 575 V 60 Hz 2P

Rated current	: 13.8 A	Moment of inertia (J)	: 0.5512 sq.ft.lb
LRC	: 6.8	Duty cycle	: Cont.(S1)
Rated torque	: 22.3 ft.lb	Insulation class	: F
Locked rotor torque	: 210 %	Service factor	: 1.15
Breakdown torque	: 280 %	Temperature rise	: 80 K
Rated speed	: 3535 rpm	Design	: B

Locked rotor time : 14s (cold) 8s (hot)

Rev.	Changes Summary	Performed	Checked	Date
Performed by			Page 2 / 6	Revision
Checked by				
Date	13/04/2022			

# LOAD PERFORMANCE CURVE

## Three Phase Induction Motor - Squirrel Cage

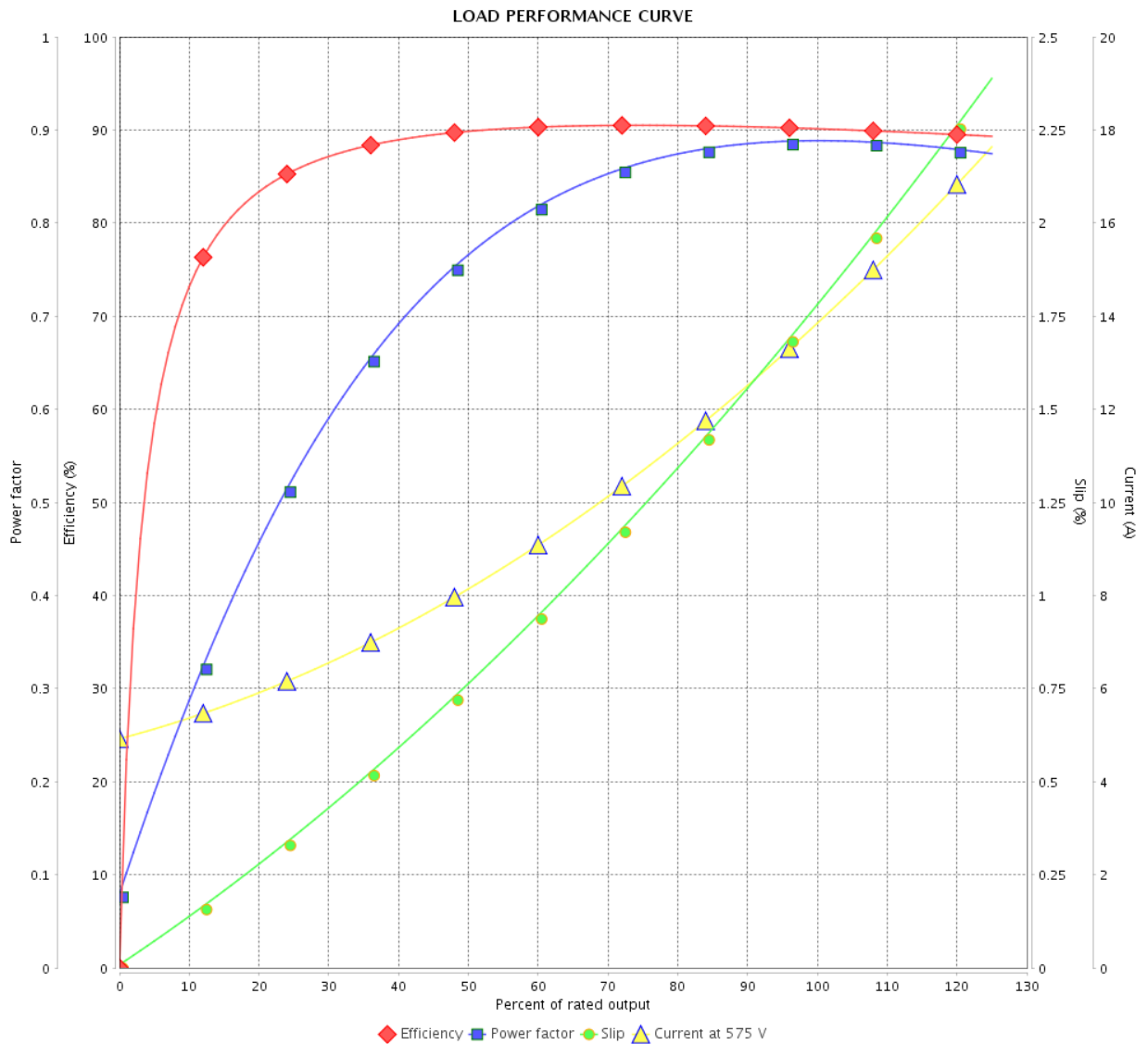


Customer :

Product line : JM Pump NEMA Premium  
Efficiency Three-Phase

Product code : 12676957

Catalog # : 01536OT3H215JM-S



Performance : 575 V 60 Hz 2P

Rated current : 13.8 A  
 LRC : 6.8  
 Rated torque : 22.3 ft.lb  
 Locked rotor torque : 210 %  
 Breakdown torque : 280 %  
 Rated speed : 3535 rpm

Moment of inertia (J) : 0.5512 sq.ft.lb  
 Duty cycle : Cont.(S1)  
 Insulation class : F  
 Service factor : 1.15  
 Temperature rise : 80 K  
 Design : B

Rev.	Changes Summary	Performed	Checked	Date
Performed by				Page 3 / 6
Checked by				
Date				

# THERMAL LIMIT CURVE



## Three Phase Induction Motor - Squirrel Cage

Customer :

Product line : JM Pump NEMA Premium  
Efficiency Three-Phase

Product code : 12676957

Catalog # : 01536OT3H215JM-S

Performance : 575 V 60 Hz 2P

Rated current : 13.8 A  
LRC : 6.8  
Rated torque : 22.3 ft.lb  
Locked rotor torque : 210 %  
Breakdown torque : 280 %  
Rated speed : 3535 rpm

Moment of inertia (J) : 0.5512 sq.ft.lb  
Duty cycle : Cont.(S1)  
Insulation class : F  
Service factor : 1.15  
Temperature rise : 80 K  
Design : B

Heating constant

Cooling constant

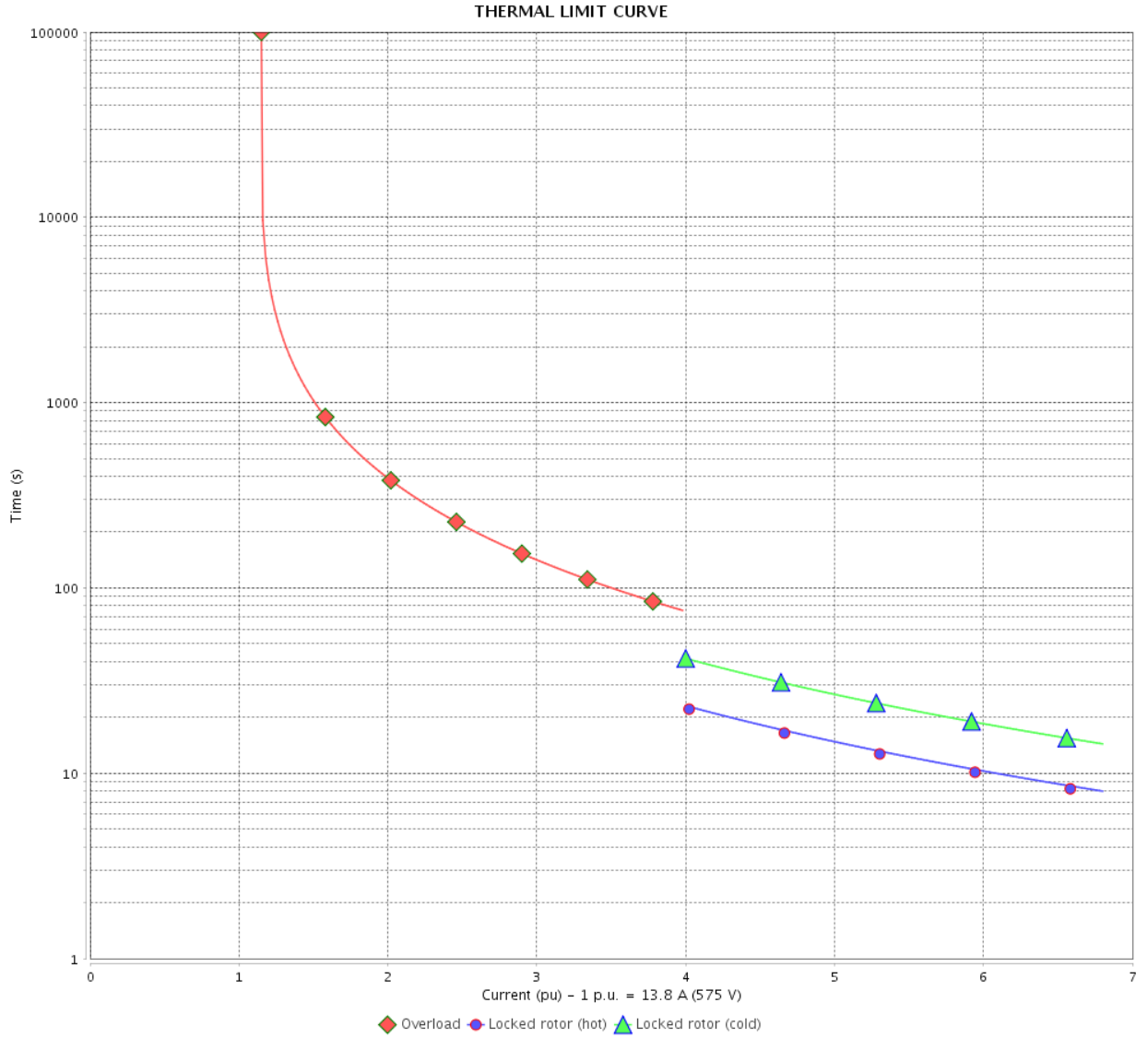
Rev.	Changes Summary	Performed	Checked	Date
Performed by				
Checked by			Page	Revision
Date	13/04/2022		4 / 6	

# THERMAL LIMIT CURVE

Three Phase Induction Motor - Squirrel Cage



Customer : \_\_\_\_\_



Rev.	Changes Summary	Performed	Checked	Date
Performed by				
Checked by				
Date				
			Page 5 / 6	Revision

# VFD OPERATION CURVE

Three Phase Induction Motor - Squirrel Cage



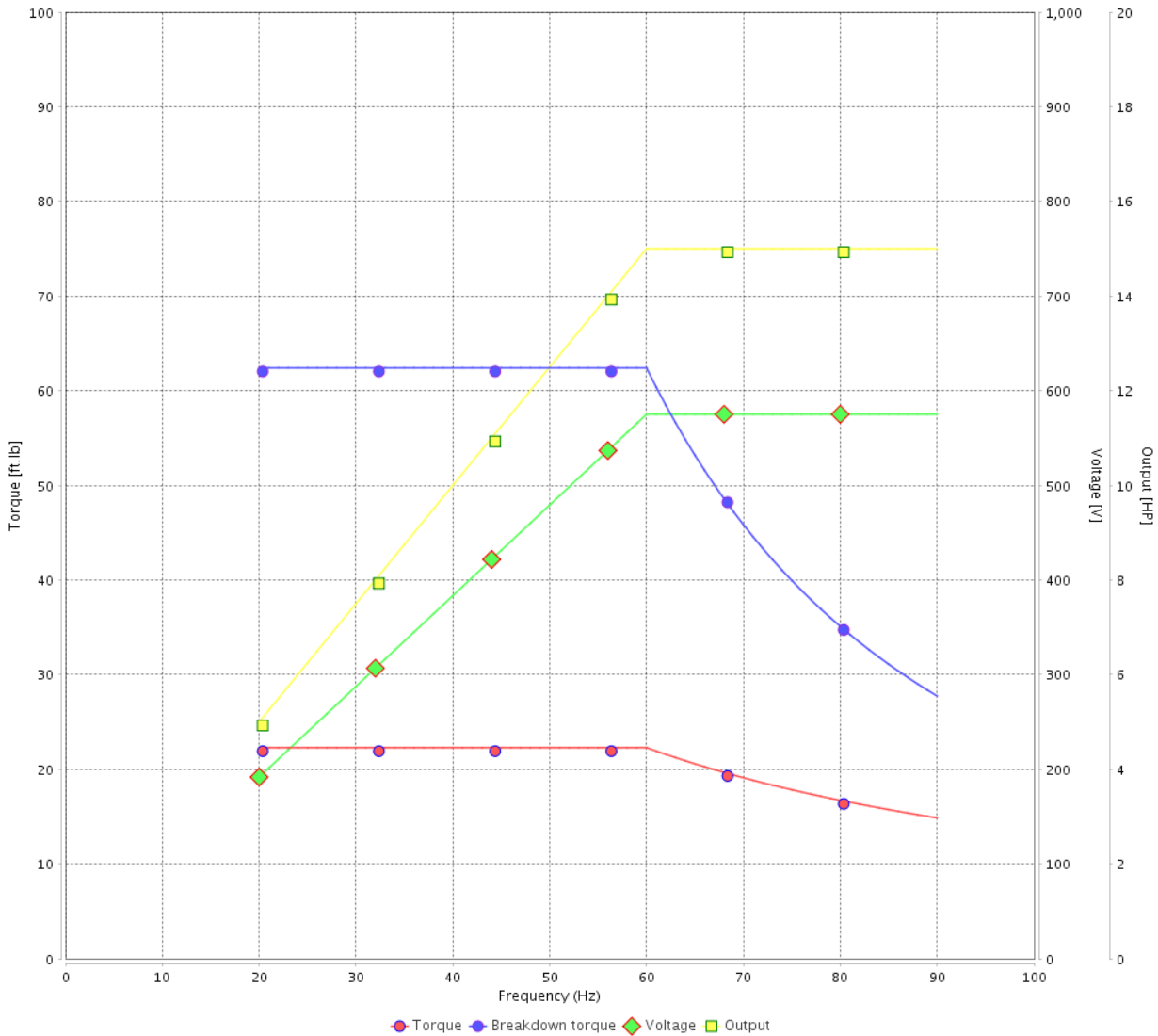
Customer :

Product line : JM Pump NEMA Premium Efficiency Three-Phase

Product code : 12676957

Catalog # : 01536OT3H215JM-S

VFD OPERATION CURVE



Performance : 575 V 60 Hz 2P

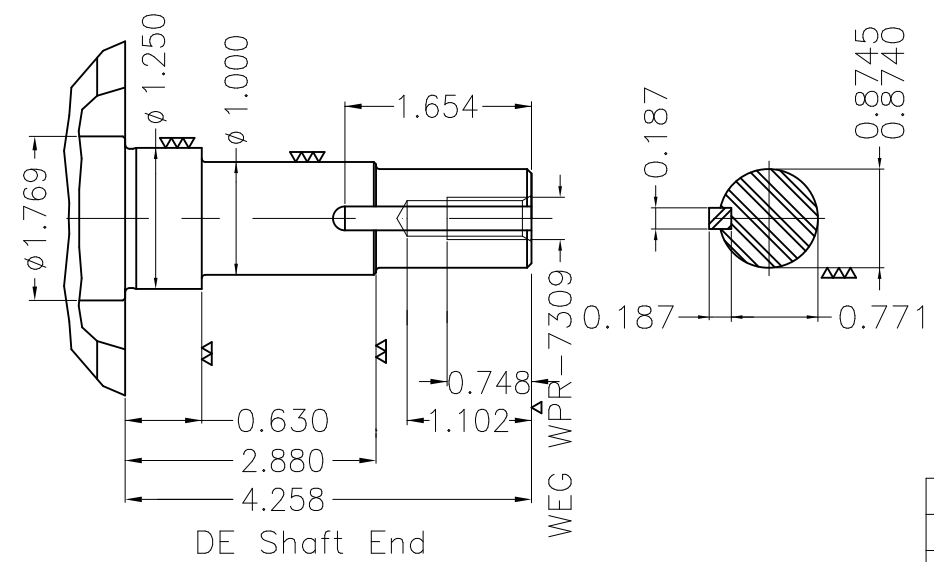
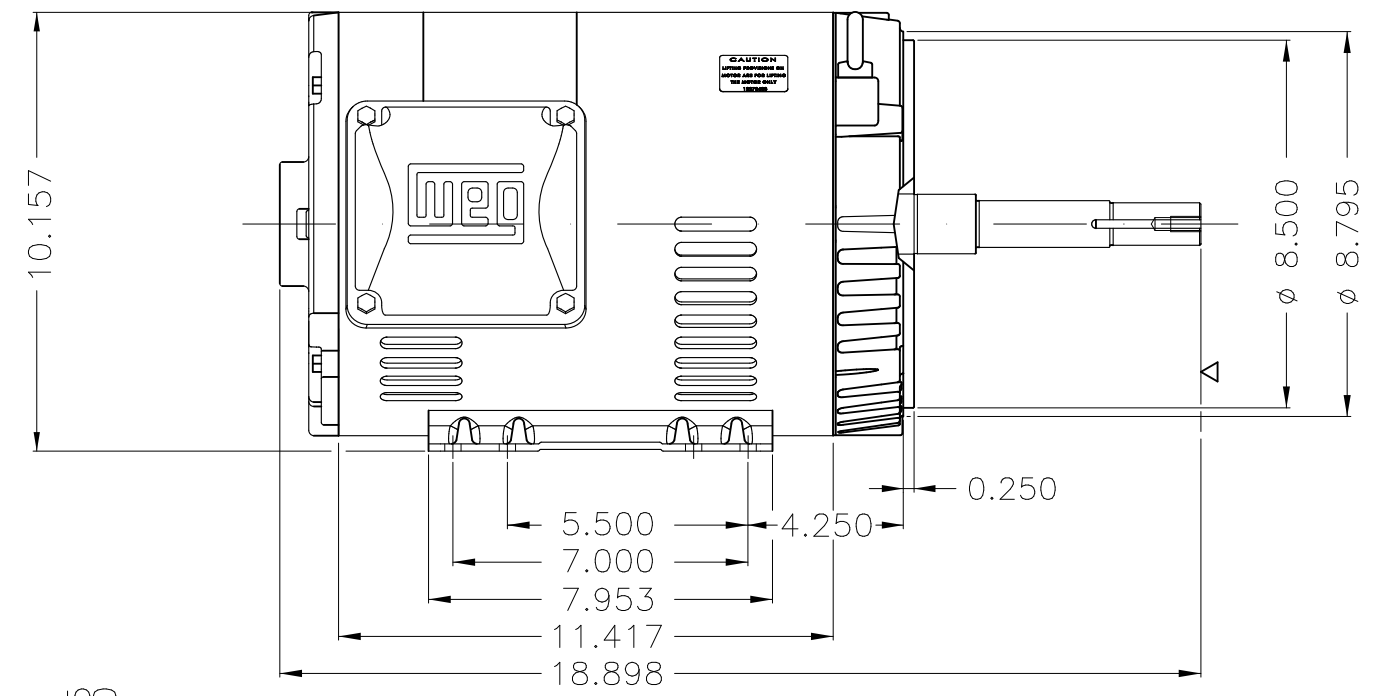
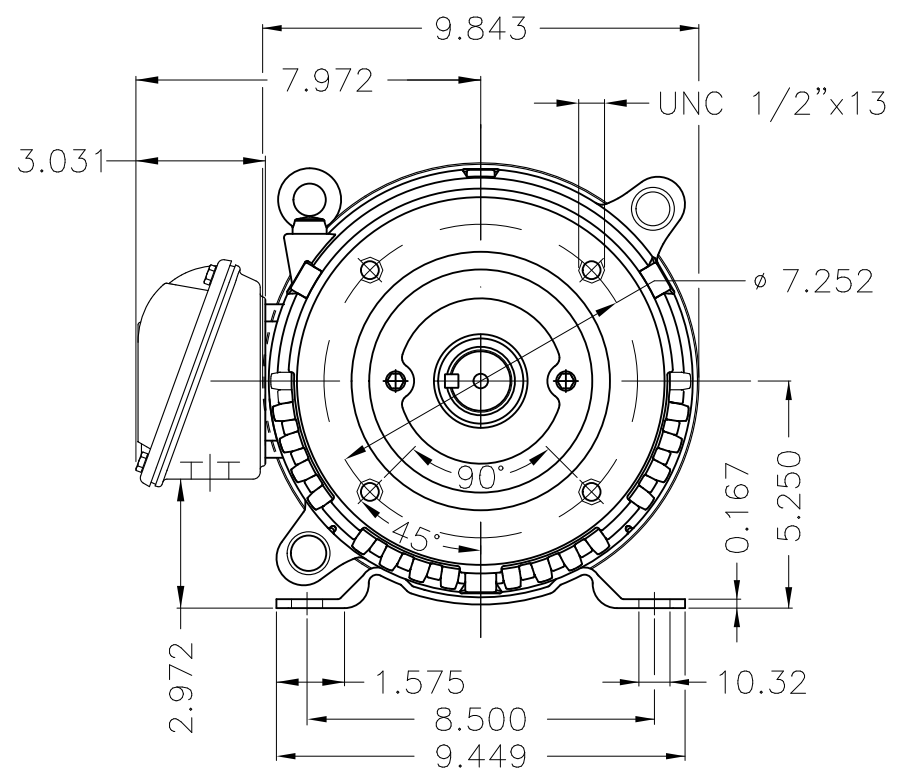
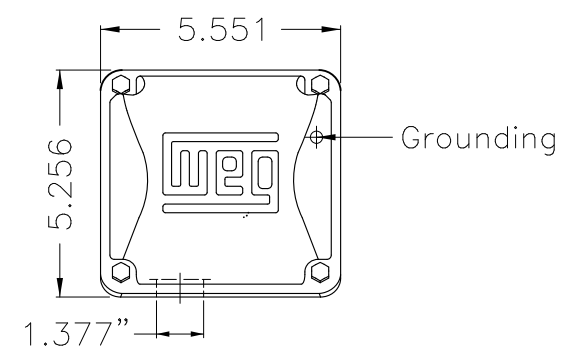
Rated current : 13.8 A  
 LRC : 6.8  
 Rated torque : 22.3 ft.lb  
 Locked rotor torque : 210 %  
 Breakdown torque : 280 %  
 Rated speed : 3535 rpm

Moment of inertia (J) : 0.5512 sq.ft.lb  
 Duty cycle : Cont.(S1)  
 Insulation class : F  
 Service factor : 1.15  
 Temperature rise : 80 K  
 Design : B

Rev.	Changes Summary	Performed	Checked	Date
Performed by			Page 6 / 6	Revision
Checked by				
Date	13/04/2022			

1 2 3 4 5 6

A  
B  
C  
D  
E



EUNC 3/8" - 16 WEG WPR-7309

DE Shaft End

Color Munsell N 1 matte black									
Painting plan 207N									
Mounting F-1/B34R(D)									
ECM	LOC	SUMMARY OF MODIFICATIONS			EXECUTED	CHECKED	RELEASED	DATE	VER
EXECUTED	PIRBUSER	THREE PH. MOTOR ROLLED STEEL CLOSE COUPLED PUMP JN TYPE PSE 1/2							
CHECKED		FRAME 213/5JM IP21 ODP							
RELEASED									
REL DT.		WMO	Jaragua do Sul	Product Engineering					

PREVIEW

WDD



15 HP 02 Poles 60 Hz

Dimensions in inches XME A3



**NEMA**  
**Premium**



MADE IN MEXICO

**MAT: 12676957 CC029A**

**W01.T00IC0X0N**

**MODEL 01536OT3H215JM-S**

**17MAR2022 S/N:**

<b>PH 3</b>	<b>Hz 60</b>	<b>HP 15</b>
<b>FR 213/5JM</b>		<b>KW 11</b>
<b>DUTY CONT.</b>		<b>V 575</b>
<b>ALT 1000 m.a.s.l.</b>		<b>A 13.8</b>
<b>INS CL F AT 80K</b>		<b>SFA 15.9</b>
<b>AMB 40°C</b>	<b>DES B</b>	<b>SF 1.15</b>
<b>ENCL ODP</b>	<b>CODE G</b>	<b>PF 0.89</b>
		<b>RPM 3535</b>
		<b>NEMA NOM. EFF 90.2%</b>

**Inverter duty motor For use on VPWM 1000:1 VT, 3:1 CT**

**DE 6209-ZZ ODE 6206-ZZ MOBIL POLYREX EM**



T1-BLU  
T2-WHT  
T3-ORG  
T4-YEL  
T5-BLK  
T6-GRY

**INTERCHANGE ANY TWO LINE WIRES TO REVERSE THE ROTATION**

**WARNING:** Motor must be grounded in accordance with local and national electrical codes to prevent serious electrical shocks. Disconnect power source before servicing unit.



**AVERTISSEMENT:** Le moteur doit être mis à la terre

conformément aux codes électriques locaux et nationaux afin d'éviter tout choc électrique grave. Déconnectez l'alimentation avant l'entretien de la machine.

