

DATA SHEET



Three Phase Induction Motor - Squirrel Cage

Customer :																						
Product line : JM Pump NEMA Premium Efficiency Three-Phase			Product code : 14327939																			
			Catalog # : 01536OT3H215JM-SG																			
Frame : 213/5JM			Locked rotor time : 14s (cold) 8s (hot)																			
Output : 15 HP (11 kW)			Temperature rise : 80 K																			
Poles : 2			Duty cycle : Cont.(S1)																			
Frequency : 60 Hz			Ambient temperature : -20°C to +40°C																			
Rated voltage : 575 V			Altitude : 1000 m.a.s.l.																			
Rated current : 13.8 A			Cooling method : IC01 - ODP																			
L. R. Amperes : 93.6 A			Mounting : F-1																			
LRC : 6.8x(Code G)			Rotation ¹ : Both (CW and CCW)																			
No load current : 4.93 A			Noise level ² : 66.0 dB(A)																			
Rated speed : 3535 rpm			Starting method : Direct On Line																			
Slip : 1.81 %			Approx. weight ³ : 131 lb																			
Rated torque : 22.3 ft.lb																						
Locked rotor torque : 210 %																						
Breakdown torque : 280 %																						
Insulation class : F																						
Service factor : 1.15																						
Moment of inertia (J) : 0.5512 sq.ft.lb																						
Design : B																						
Output 25% 50% 75% 100%																						
Efficiency (%) 90.1 90.2 90.2 90.2																						
Power Factor 0.50 0.77 0.86 0.89																						
Foundation loads																						
Max. traction : 286 lb																						
Max. compression : 417 lb																						
<table border="0" style="width:100%"><tr><td></td><td style="text-align:center"><u>Drive end</u></td><td style="text-align:center"><u>Non drive end</u></td></tr><tr><td>Bearing type :</td><td style="text-align:center">6209 ZZ</td><td style="text-align:center">6206 ZZ</td></tr><tr><td>Sealing :</td><td style="text-align:center">Without Bearing Seal</td><td style="text-align:center">Without Bearing Seal</td></tr><tr><td>Lubrication interval :</td><td style="text-align:center">-</td><td style="text-align:center">-</td></tr><tr><td>Lubricant amount :</td><td style="text-align:center">-</td><td style="text-align:center">-</td></tr><tr><td>Lubricant type :</td><td colspan="2" style="text-align:center">Mobil Polyrex EM</td></tr></table>						<u>Drive end</u>	<u>Non drive end</u>	Bearing type :	6209 ZZ	6206 ZZ	Sealing :	Without Bearing Seal	Without Bearing Seal	Lubrication interval :	-	-	Lubricant amount :	-	-	Lubricant type :	Mobil Polyrex EM	
	<u>Drive end</u>	<u>Non drive end</u>																				
Bearing type :	6209 ZZ	6206 ZZ																				
Sealing :	Without Bearing Seal	Without Bearing Seal																				
Lubrication interval :	-	-																				
Lubricant amount :	-	-																				
Lubricant type :	Mobil Polyrex EM																					
Notes																						
This revision replaces and cancel the previous one, which must be eliminated. (1) Looking the motor from the shaft end. (2) Measured at 1m and with tolerance of +3dB(A). (3) Approximate weight subject to changes after manufacturing process. (4) At 100% of full load.			These are average values based on tests with sinusoidal power supply, subject to the tolerances stipulated in NEMA MG-1.																			
Rev.	Changes Summary			Performed	Checked	Date																
Performed by																						
Checked by					Page	Revision																
Date	13/04/2022				1 / 6																	

TORQUE AND CURRENT VS SPEED CURVE

Three Phase Induction Motor - Squirrel Cage



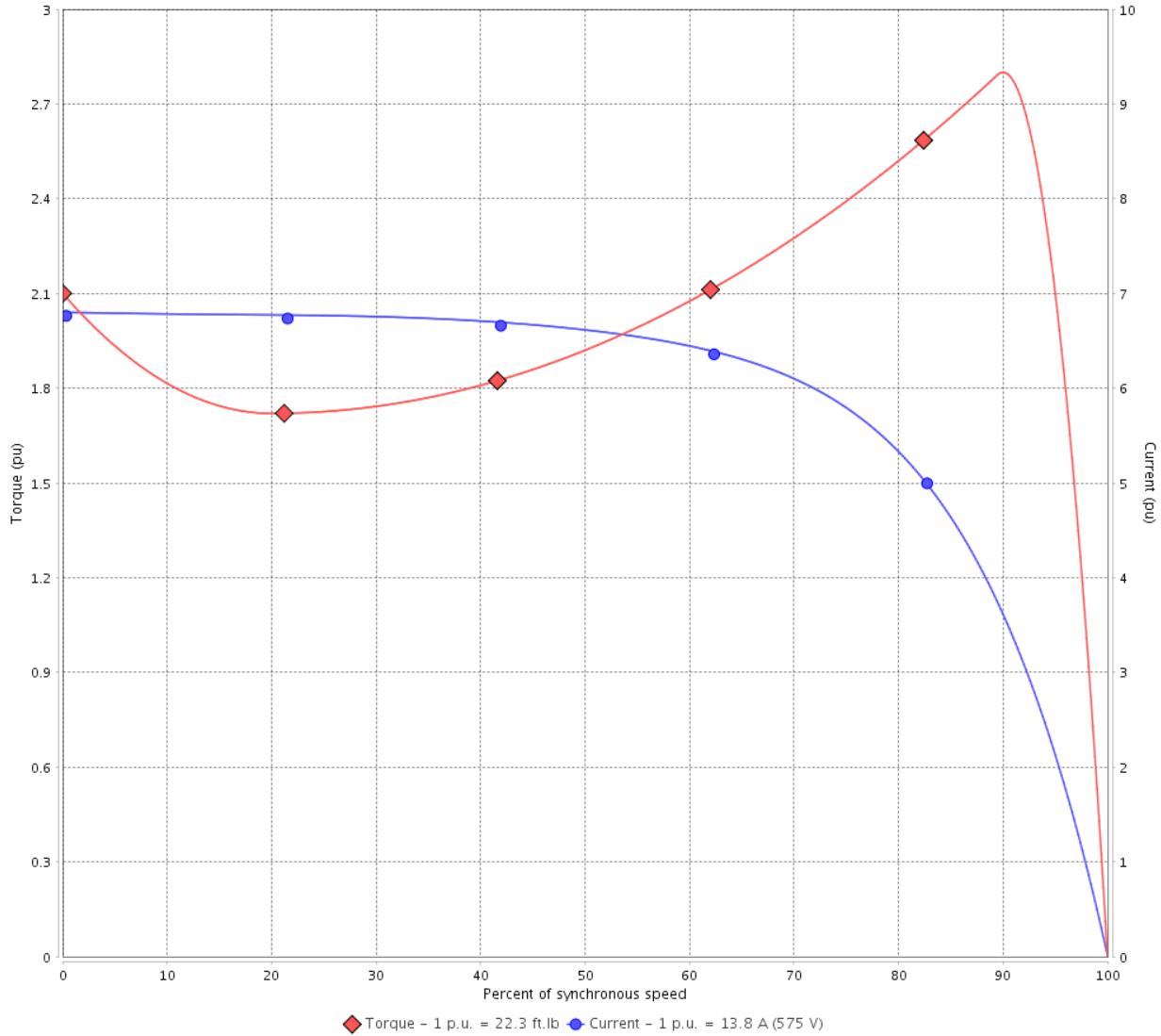
Customer :

Product line : JM Pump NEMA Premium
Efficiency Three-Phase

Product code : 14327939

Catalog # : 01536OT3H215JM-SG

TORQUE AND CURRENT VS SPEED CURVE



Performance : 575 V 60 Hz 2P

Rated current	: 13.8 A	Moment of inertia (J)	: 0.5512 sq.ft.lb
LRC	: 6.8	Duty cycle	: Cont.(S1)
Rated torque	: 22.3 ft.lb	Insulation class	: F
Locked rotor torque	: 210 %	Service factor	: 1.15
Breakdown torque	: 280 %	Temperature rise	: 80 K
Rated speed	: 3535 rpm	Design	: B

Locked rotor time : 14s (cold) 8s (hot)

Rev.	Changes Summary	Performed	Checked	Date
Performed by			Page 2 / 6	Revision
Checked by				
Date	13/04/2022			

LOAD PERFORMANCE CURVE

Three Phase Induction Motor - Squirrel Cage

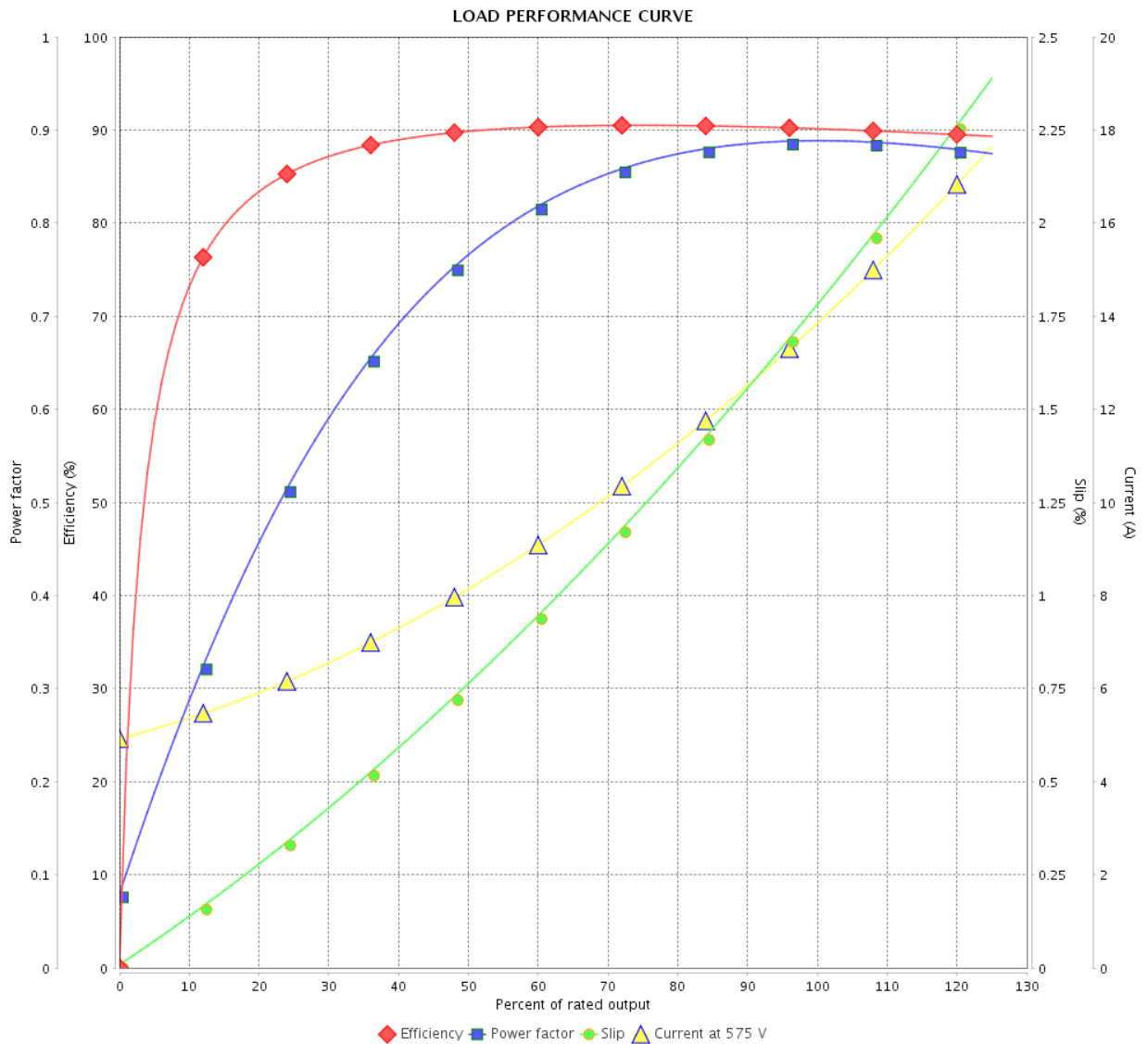


Customer : _____

Product line : JM Pump NEMA Premium
Efficiency Three-Phase

Product code : 14327939

Catalog # : 01536OT3H215JM-SG



Performance : 575 V 60 Hz 2P

Rated current : 13.8 A
 LRC : 6.8
 Rated torque : 22.3 ft.lb
 Locked rotor torque : 210 %
 Breakdown torque : 280 %
 Rated speed : 3535 rpm

Moment of inertia (J) : 0.5512 sq.ft.lb
 Duty cycle : Cont.(S1)
 Insulation class : F
 Service factor : 1.15
 Temperature rise : 80 K
 Design : B

Rev.	Changes Summary	Performed	Checked	Date
Performed by		Page		Revision
Checked by		3 / 6		
Date		13/04/2022		

THERMAL LIMIT CURVE



Three Phase Induction Motor - Squirrel Cage

Customer :

Product line : JM Pump NEMA Premium
Efficiency Three-Phase

Product code : 14327939

Catalog # : 01536OT3H215JM-SG

Performance : 575 V 60 Hz 2P

Rated current : 13.8 A
LRC : 6.8
Rated torque : 22.3 ft.lb
Locked rotor torque : 210 %
Breakdown torque : 280 %
Rated speed : 3535 rpm

Moment of inertia (J) : 0.5512 sq.ft.lb
Duty cycle : Cont.(S1)
Insulation class : F
Service factor : 1.15
Temperature rise : 80 K
Design : B

Heating constant

Cooling constant

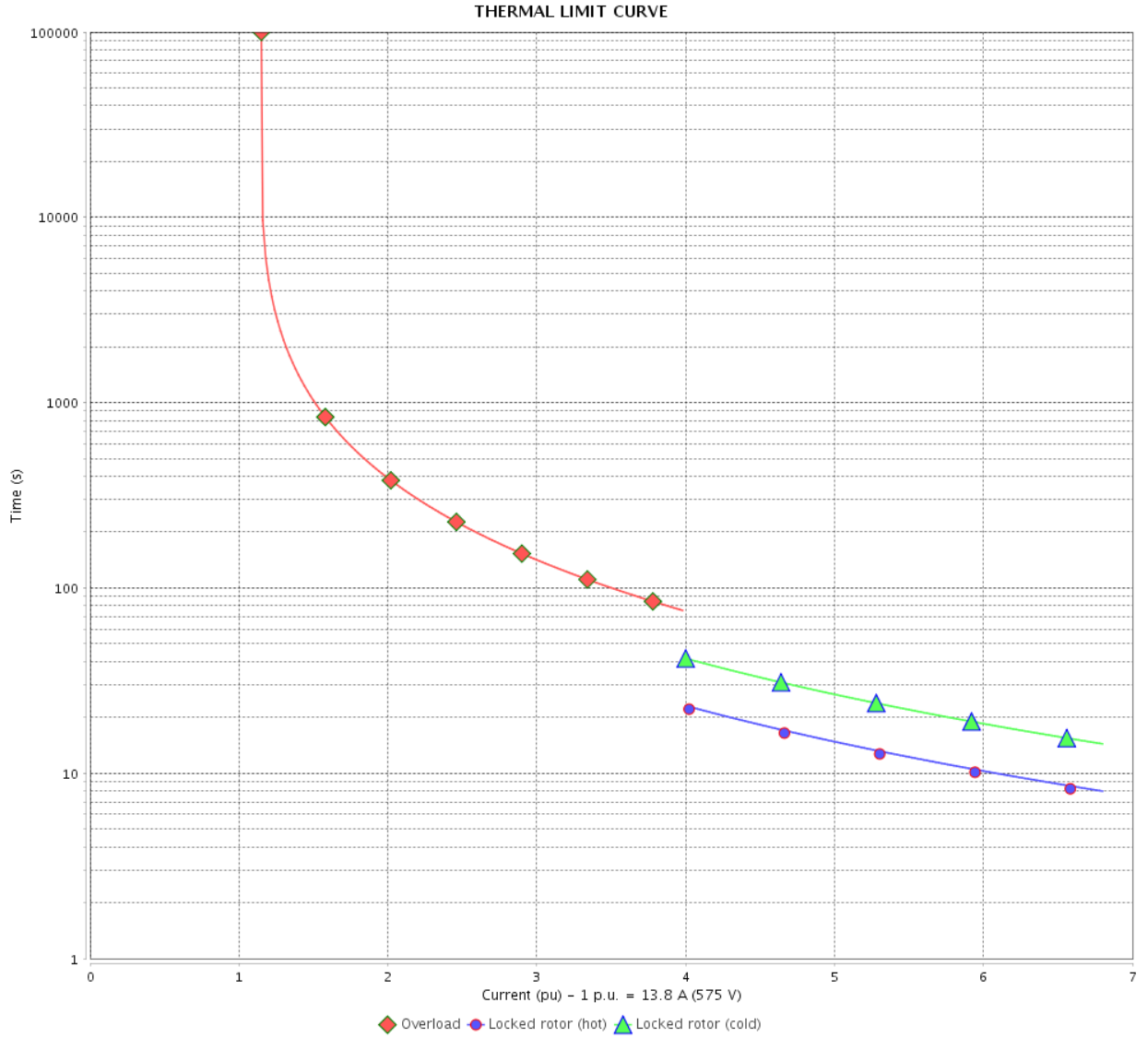
Rev.	Changes Summary	Performed	Checked	Date
Performed by				
Checked by			Page	Revision
Date	13/04/2022		4 / 6	

THERMAL LIMIT CURVE

Three Phase Induction Motor - Squirrel Cage



Customer : _____



Rev.	Changes Summary	Performed	Checked	Date
Performed by				
Checked by				
Date				
			Page	Revision
			5 / 6	

VFD OPERATION CURVE

Three Phase Induction Motor - Squirrel Cage



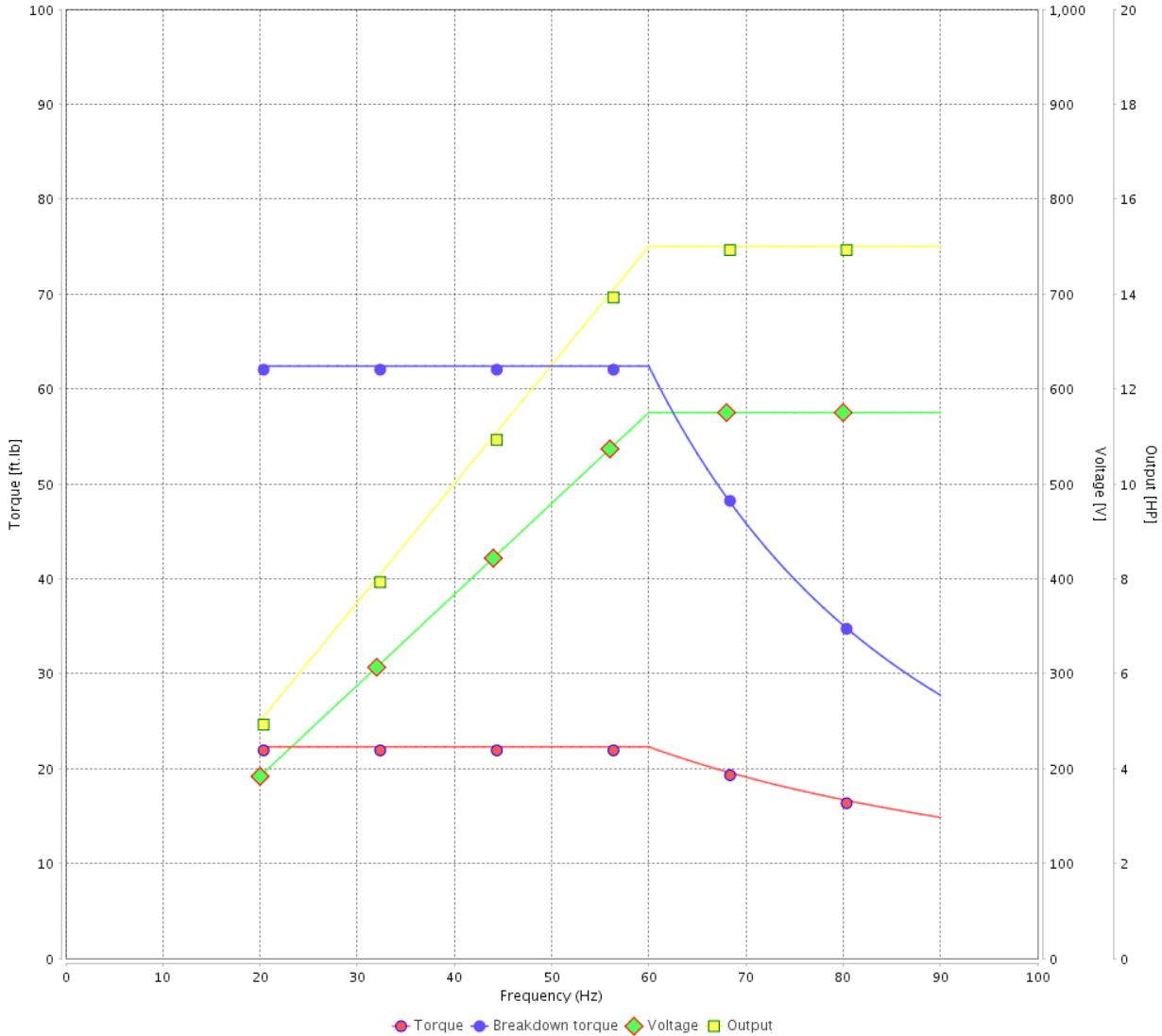
Customer :

Product line : JM Pump NEMA Premium Efficiency Three-Phase

Product code : 14327939

Catalog # : 01536OT3H215JM-SG

VFD OPERATION CURVE



Performance : 575 V 60 Hz 2P

Rated current : 13.8 A
 LRC : 6.8
 Rated torque : 22.3 ft.lb
 Locked rotor torque : 210 %
 Breakdown torque : 280 %
 Rated speed : 3535 rpm

Moment of inertia (J) : 0.5512 sq.ft.lb
 Duty cycle : Cont.(S1)
 Insulation class : F
 Service factor : 1.15
 Temperature rise : 80 K
 Design : B

Rev.	Changes Summary	Performed	Checked	Date
Performed by			Page 6 / 6	Revision
Checked by				
Date	13/04/2022			

1 2 3 4 5 6

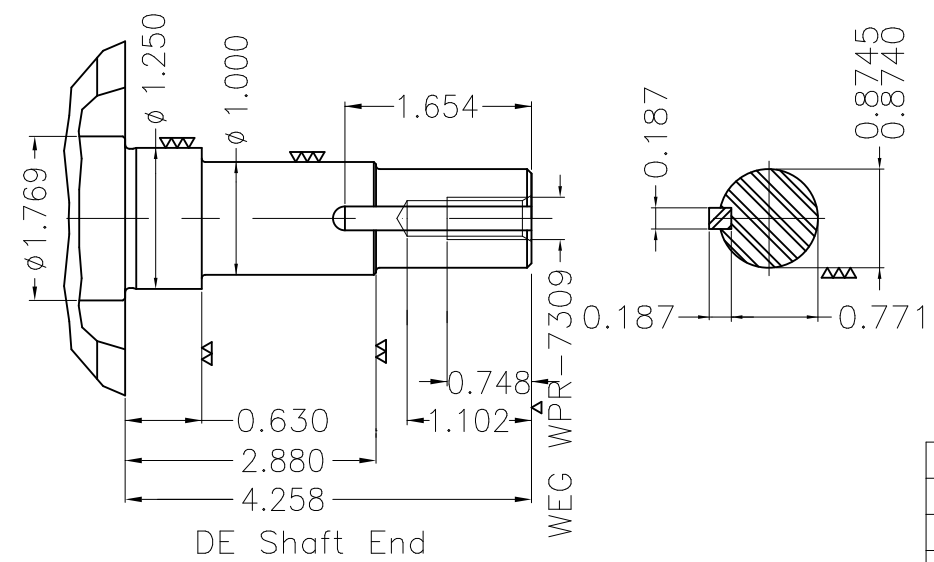
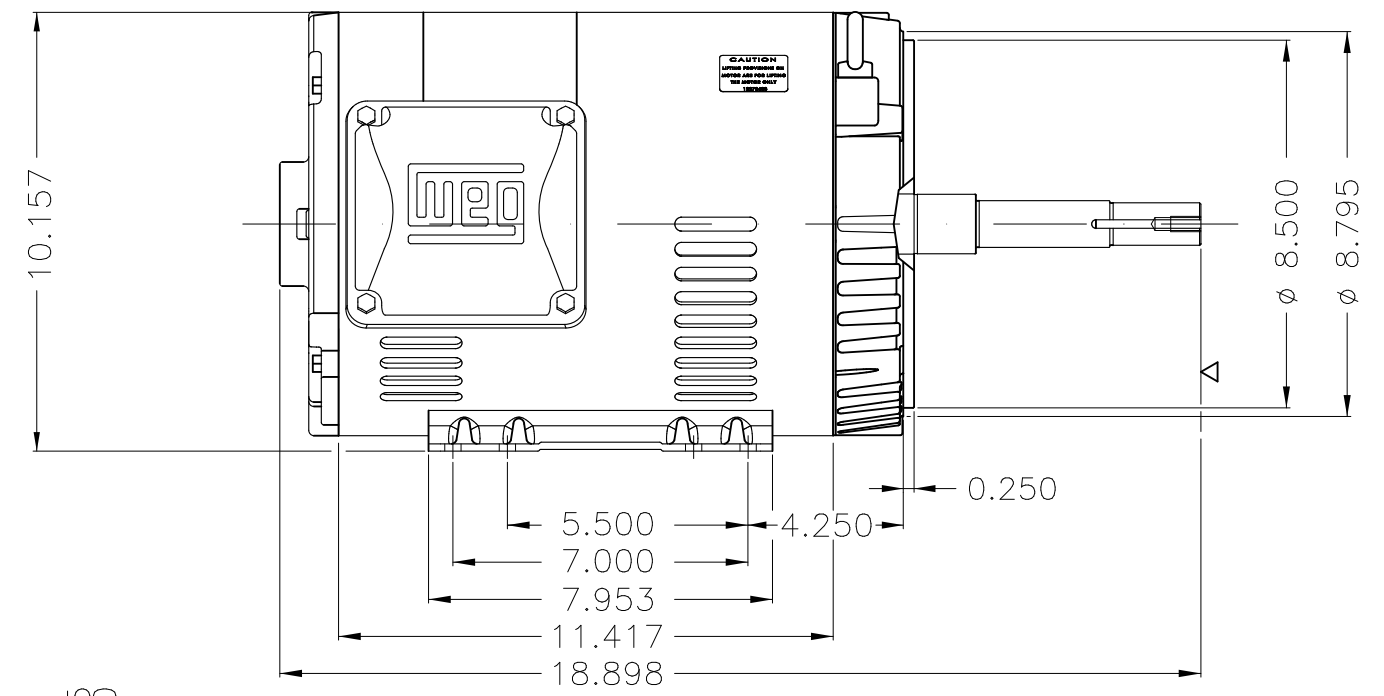
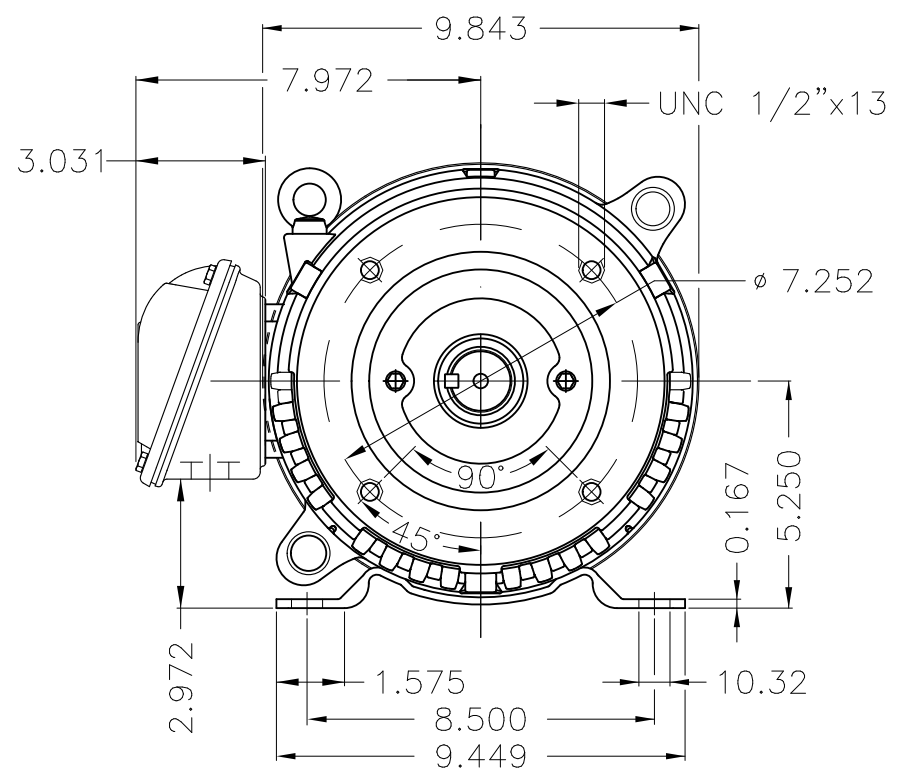
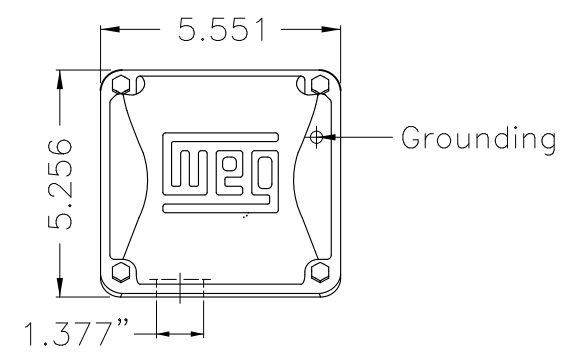
A

B

C

D

E



EUNC 3/8" - 16 WEG WPR-7309

DE Shaft End

Internal AEGIS ground ring on the DE
 Color Munsell N 1 matte black
 Painting plan 207N
 Mounting F-1/B34R(D)

ECM	LOC	SUMMARY OF MODIFICATIONS	EXECUTED	CHECKED	RELEASED	DATE	VER
EXECUTED	PIRBUSER	THREE PH. MOTOR ROLLED STEEL CLOSE COUPLED PUMP JN TYPE PSE 1/2 HP					
CHECKED		FRAME 213/5JM IP21 ODP					
RELEASED							
REL DT.	WMO	Jaragua do Sul	Product Engineering	WDD	SHEET	1 / 1	

15 HP 02 Poles 60 Hz

