

DATA SHEET

Three Phase Induction Motor - Squirrel Cage



Customer :																			
Product line : JP Pump NEMA Premium Efficiency Three-Phase	Product code : 13500968																		
	Catalog # : 01536OT3H215JPV-S																		
Frame : 213/5JP	Locked rotor time : 14s (cold) 8s (hot)																		
Output : 15 HP (11 kW)	Temperature rise : 80 K																		
Poles : 2	Duty cycle : Cont.(S1)																		
Frequency : 60 Hz	Ambient temperature : -20°C to +40°C																		
Rated voltage : 575 V	Altitude : 1000 m.a.s.l.																		
Rated current : 13.8 A	Cooling method : IC01 - ODP																		
L. R. Amperes : 93.6 A	Mounting : W-6																		
LRC : 6.8x(Code G)	Rotation ¹ : Both (CW and CCW)																		
No load current : 4.93 A	Noise level ² : 66.0 dB(A)																		
Rated speed : 3535 rpm	Starting method : Direct On Line																		
Slip : 1.81 %	Approx. weight ³ : 140 lb																		
Rated torque : 22.3 ft.lb																			
Locked rotor torque : 210 %																			
Breakdown torque : 280 %																			
Insulation class : F																			
Service factor : 1.15																			
Moment of inertia (J) : 0.5512 sq.ft.lb																			
Design : B																			
Output 25% 50% 75% 100%	Foundation loads																		
Efficiency (%) 90.1 90.2 90.2 90.2	Max. traction : 282 lb																		
Power Factor 0.50 0.77 0.86 0.89	Max. compression : 422 lb																		
	<table border="1"><thead><tr><th></th><th>Drive end</th><th>Non drive end</th></tr></thead><tbody><tr><td>Bearing type :</td><td>6209 ZZ</td><td>6206 ZZ</td></tr><tr><td>Sealing :</td><td>Without Bearing Seal</td><td>Without Bearing Seal</td></tr><tr><td>Lubrication interval :</td><td>-</td><td>-</td></tr><tr><td>Lubricant amount :</td><td>-</td><td>-</td></tr><tr><td>Lubricant type :</td><td colspan="2">Mobil Polyrex EM</td></tr></tbody></table>		Drive end	Non drive end	Bearing type :	6209 ZZ	6206 ZZ	Sealing :	Without Bearing Seal	Without Bearing Seal	Lubrication interval :	-	-	Lubricant amount :	-	-	Lubricant type :	Mobil Polyrex EM	
	Drive end	Non drive end																	
Bearing type :	6209 ZZ	6206 ZZ																	
Sealing :	Without Bearing Seal	Without Bearing Seal																	
Lubrication interval :	-	-																	
Lubricant amount :	-	-																	
Lubricant type :	Mobil Polyrex EM																		
Notes																			
This revision replaces and cancel the previous one, which must be eliminated. (1) Looking the motor from the shaft end. (2) Measured at 1m and with tolerance of +3dB(A). (3) Approximate weight subject to changes after manufacturing process. (4) At 100% of full load.	These are average values based on tests with sinusoidal power supply, subject to the tolerances stipulated in NEMA MG-1.																		
Rev.	Changes Summary	Performed	Checked	Date															
Performed by																			
Checked by			Page	Revision															
Date	13/04/2022		1 / 6																

TORQUE AND CURRENT VS SPEED CURVE

Three Phase Induction Motor - Squirrel Cage



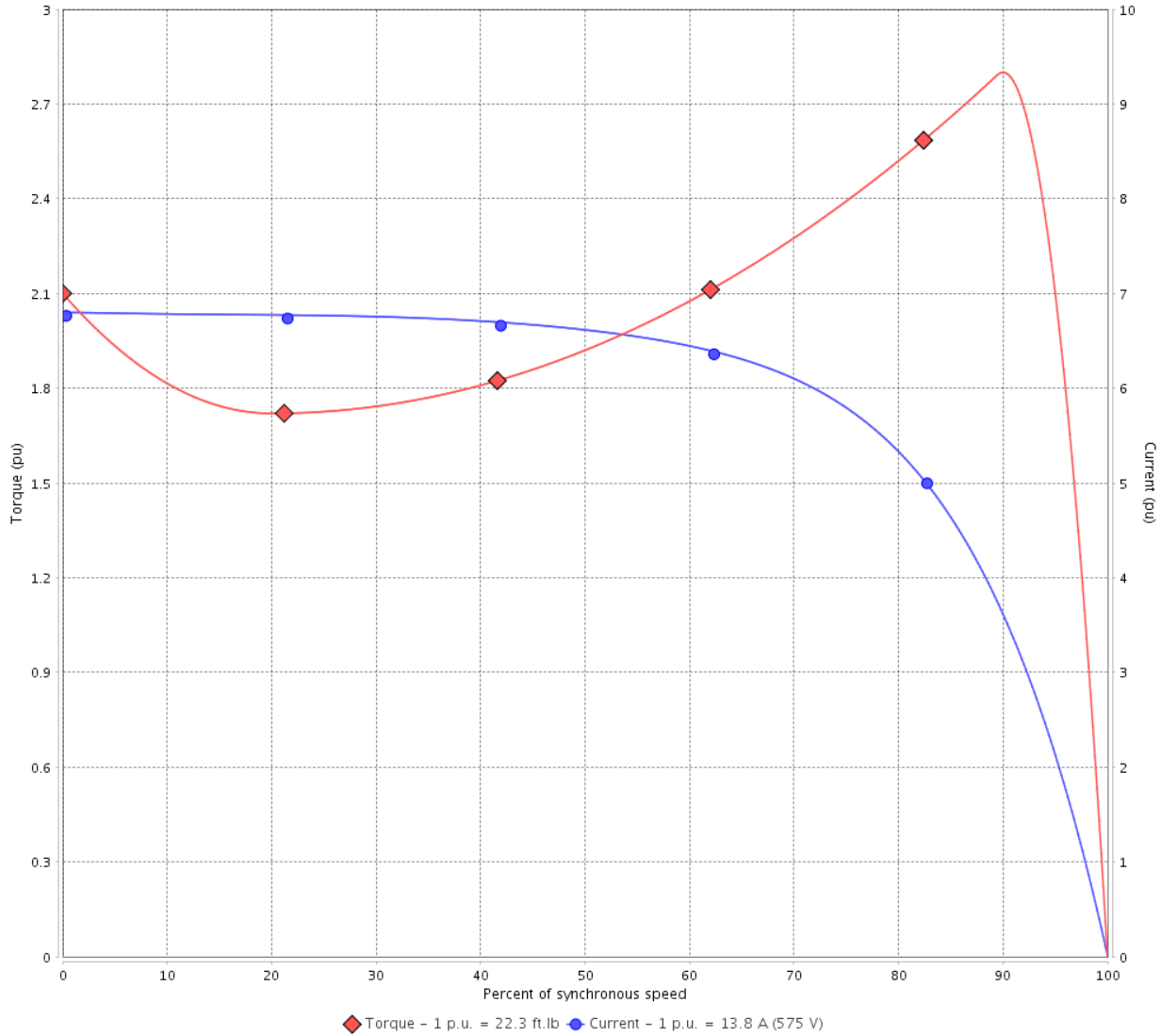
Customer :

Product line : JP Pump NEMA Premium
Efficiency Three-Phase

Product code : 13500968

Catalog # : 01536OT3H215JPV-S

TORQUE AND CURRENT VS SPEED CURVE



Performance : 575 V 60 Hz 2P

Rated current	: 13.8 A	Moment of inertia (J)	: 0.5512 sq.ft.lb
LRC	: 6.8	Duty cycle	: Cont.(S1)
Rated torque	: 22.3 ft.lb	Insulation class	: F
Locked rotor torque	: 210 %	Service factor	: 1.15
Breakdown torque	: 280 %	Temperature rise	: 80 K
Rated speed	: 3535 rpm	Design	: B

Locked rotor time : 14s (cold) 8s (hot)

Rev.	Changes Summary	Performed	Checked	Date
Performed by			Page 2 / 6	Revision
Checked by				
Date	13/04/2022			

LOAD PERFORMANCE CURVE

Three Phase Induction Motor - Squirrel Cage

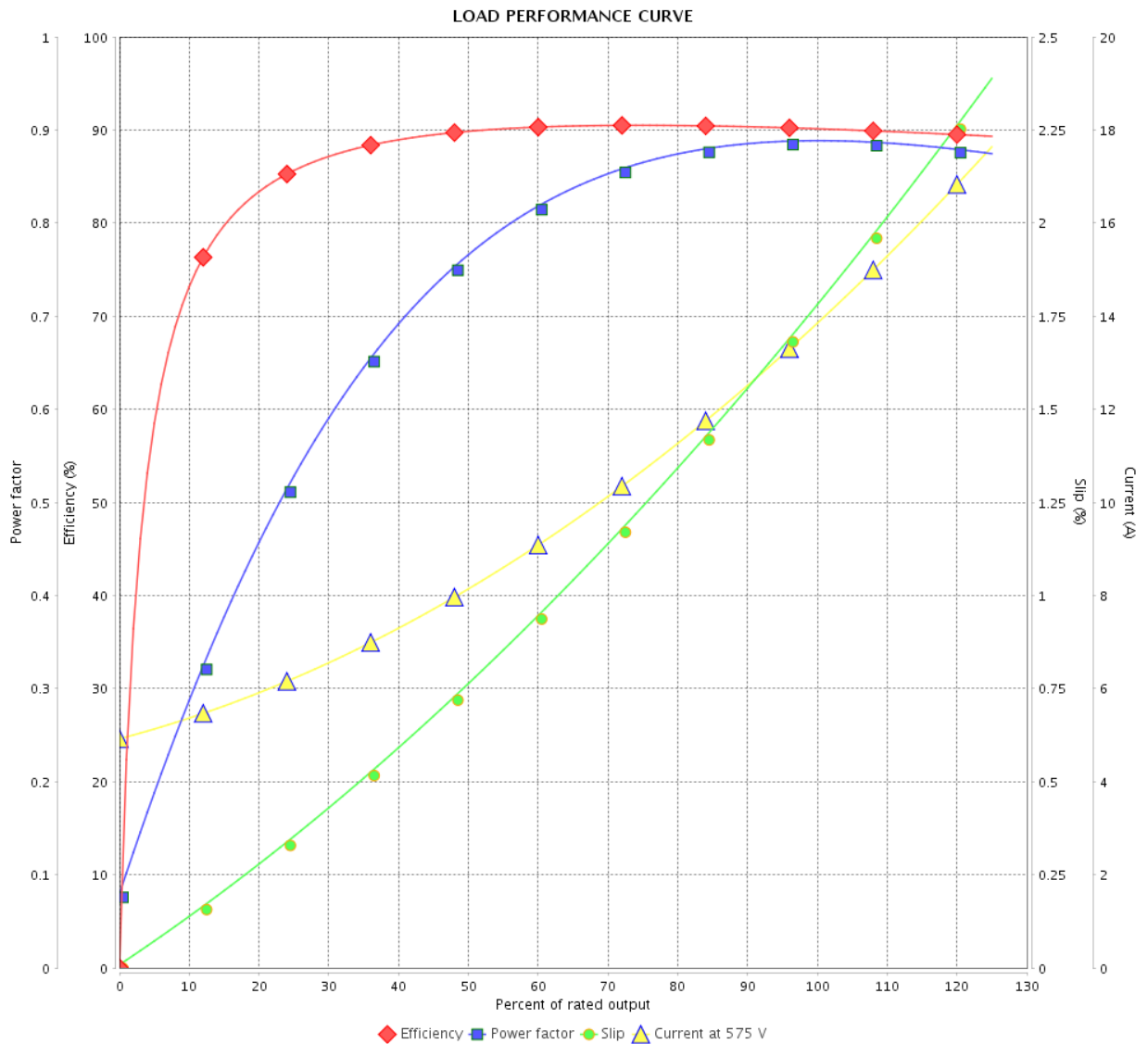


Customer :

Product line : JP Pump NEMA Premium Efficiency Three-Phase

Product code : 13500968

Catalog # : 01536OT3H215JPV-S



Performance : 575 V 60 Hz 2P

Rated current : 13.8 A
 LRC : 6.8
 Rated torque : 22.3 ft.lb
 Locked rotor torque : 210 %
 Breakdown torque : 280 %
 Rated speed : 3535 rpm

Moment of inertia (J) : 0.5512 sq.ft.lb
 Duty cycle : Cont.(S1)
 Insulation class : F
 Service factor : 1.15
 Temperature rise : 80 K
 Design : B

Rev.	Changes Summary	Performed	Checked	Date
Performed by				
Checked by				
Date				
		Page	Revision	
		3 / 6		

THERMAL LIMIT CURVE



Three Phase Induction Motor - Squirrel Cage

Customer :

Product line : JP Pump NEMA Premium
Efficiency Three-Phase

Product code : 13500968

Catalog # : 01536OT3H215JPV-S

Performance : 575 V 60 Hz 2P

Rated current : 13.8 A
LRC : 6.8
Rated torque : 22.3 ft.lb
Locked rotor torque : 210 %
Breakdown torque : 280 %
Rated speed : 3535 rpm

Moment of inertia (J) : 0.5512 sq.ft.lb
Duty cycle : Cont.(S1)
Insulation class : F
Service factor : 1.15
Temperature rise : 80 K
Design : B

Heating constant

Cooling constant

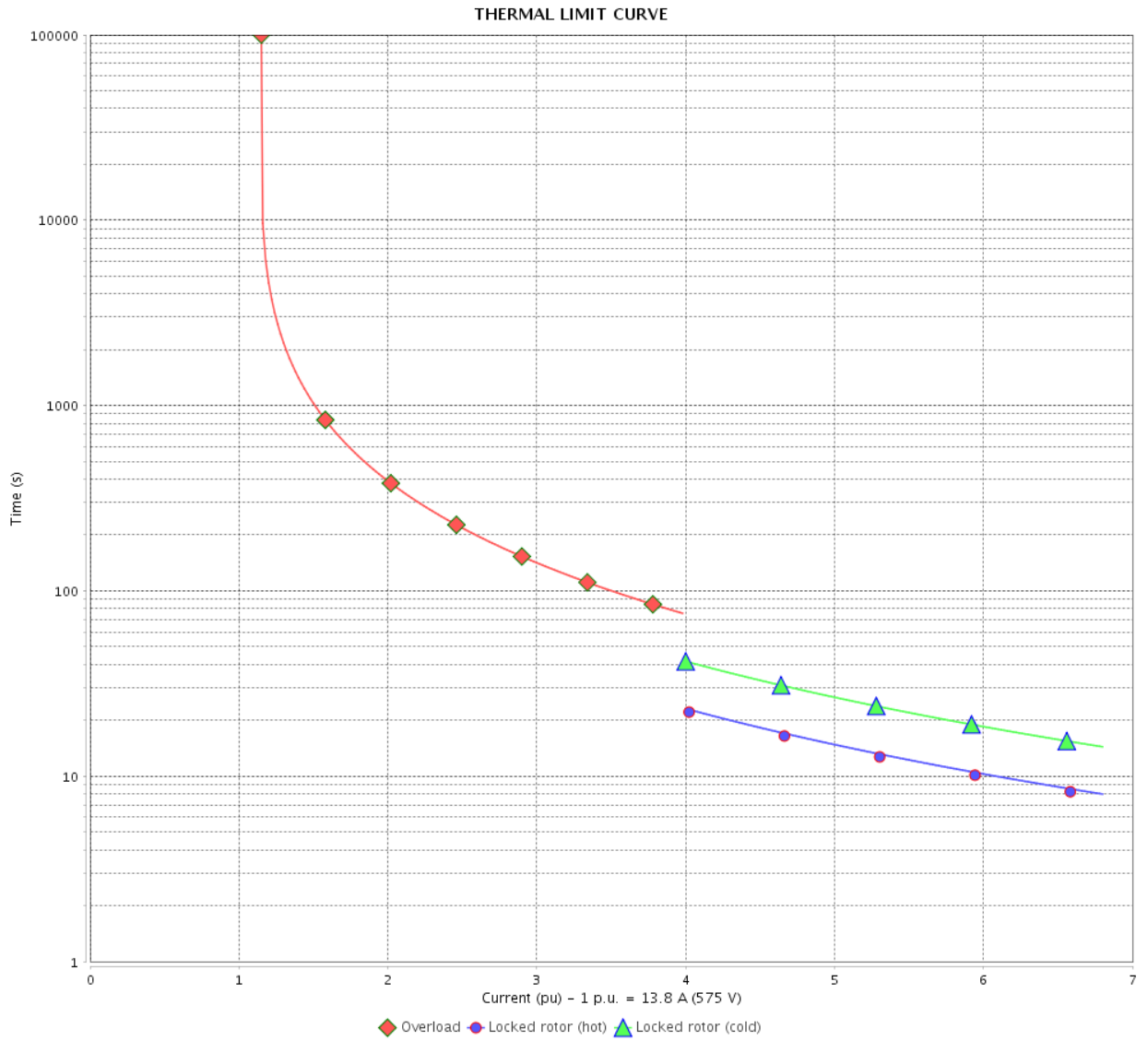
Rev.	Changes Summary	Performed	Checked	Date
Performed by				
Checked by			Page	Revision
Date	13/04/2022		4 / 6	

THERMAL LIMIT CURVE

Three Phase Induction Motor - Squirrel Cage



Customer : _____



Rev.	Changes Summary	Performed	Checked	Date
Performed by		Page 5 / 6		Revision
Checked by				
Date				

VFD OPERATION CURVE

Three Phase Induction Motor - Squirrel Cage



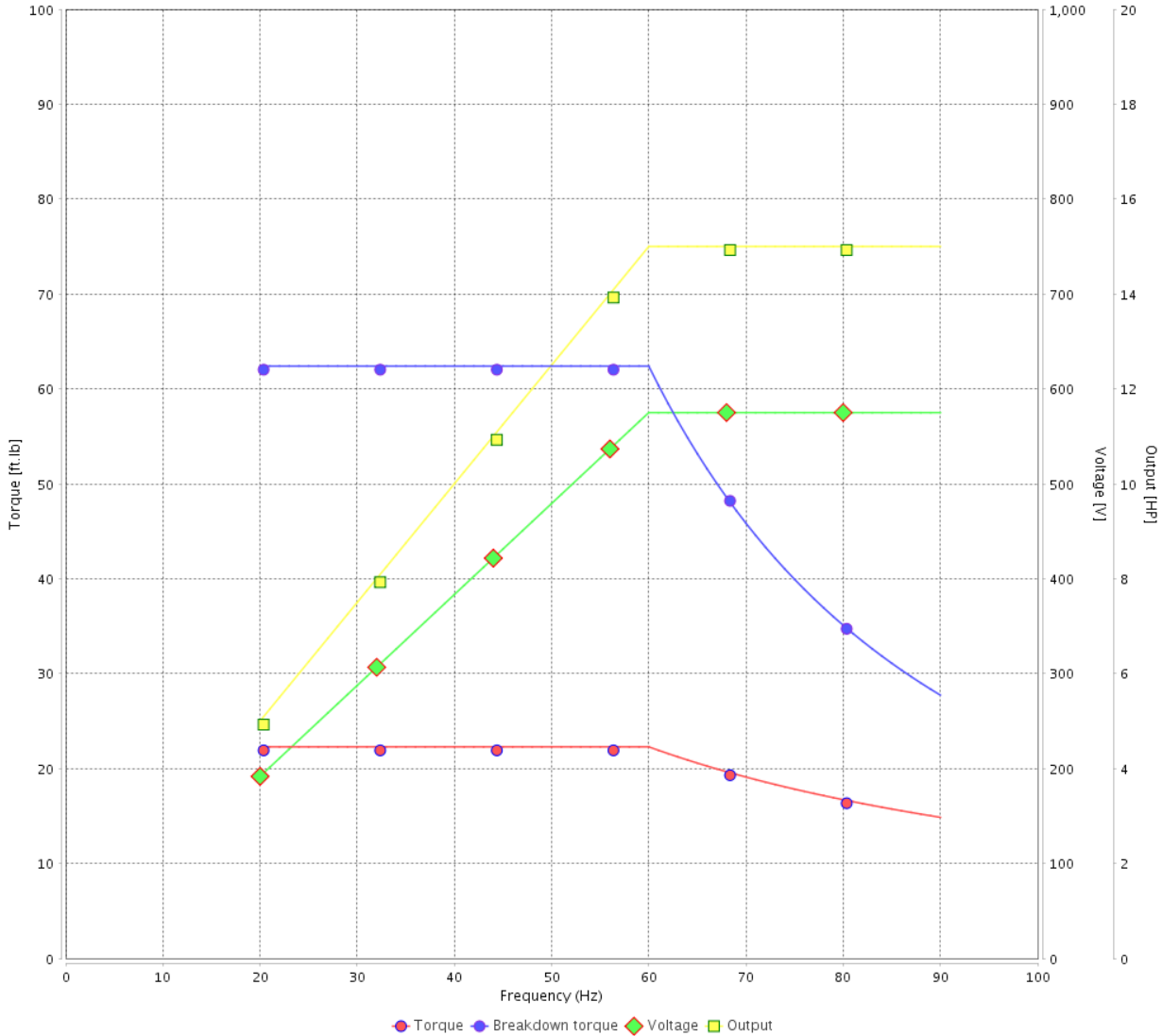
Customer :

Product line : JP Pump NEMA Premium Efficiency Three-Phase

Product code : 13500968

Catalog # : 01536OT3H215JPV-S

VFD OPERATION CURVE



Performance : 575 V 60 Hz 2P

Rated current : 13.8 A
 LRC : 6.8
 Rated torque : 22.3 ft.lb
 Locked rotor torque : 210 %
 Breakdown torque : 280 %
 Rated speed : 3535 rpm

Moment of inertia (J) : 0.5512 sq.ft.lb
 Duty cycle : Cont.(S1)
 Insulation class : F
 Service factor : 1.15
 Temperature rise : 80 K
 Design : B

Rev.	Changes Summary	Performed	Checked	Date
Performed by			Page 6 / 6	Revision
Checked by				
Date	13/04/2022			

1 2 3 4 5 6

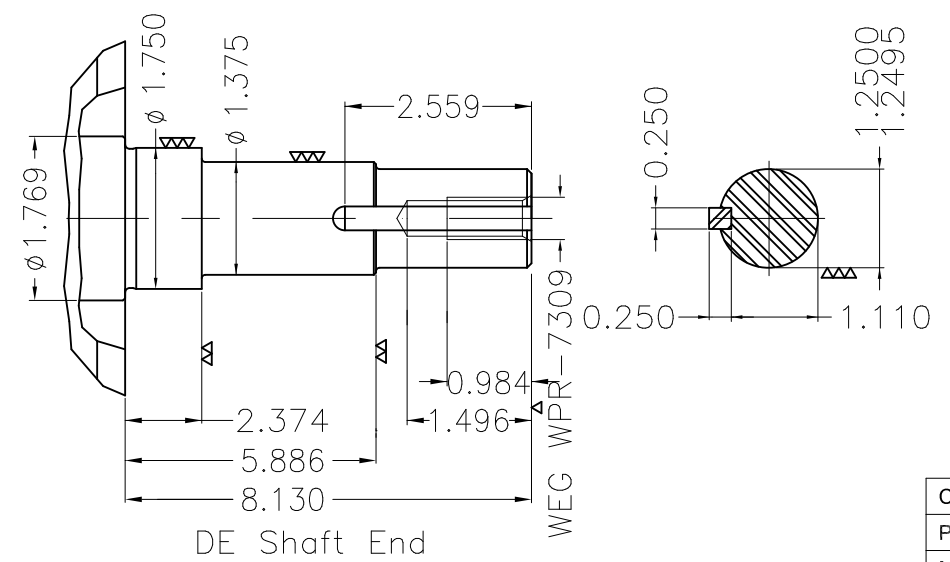
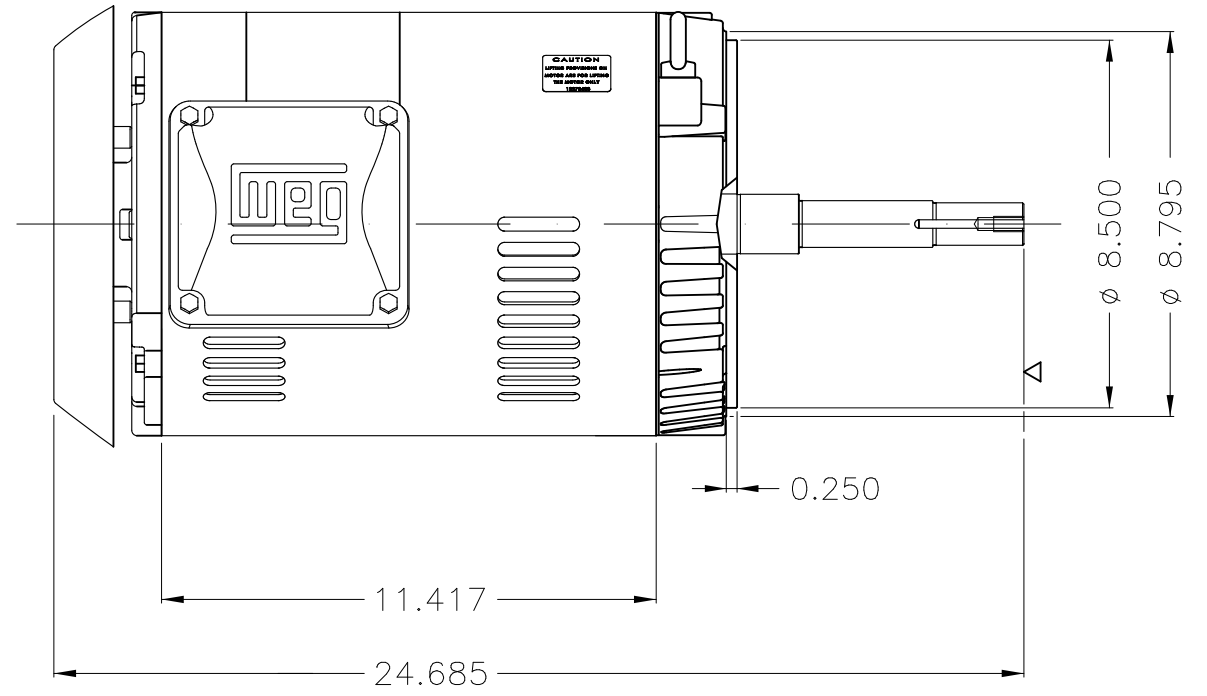
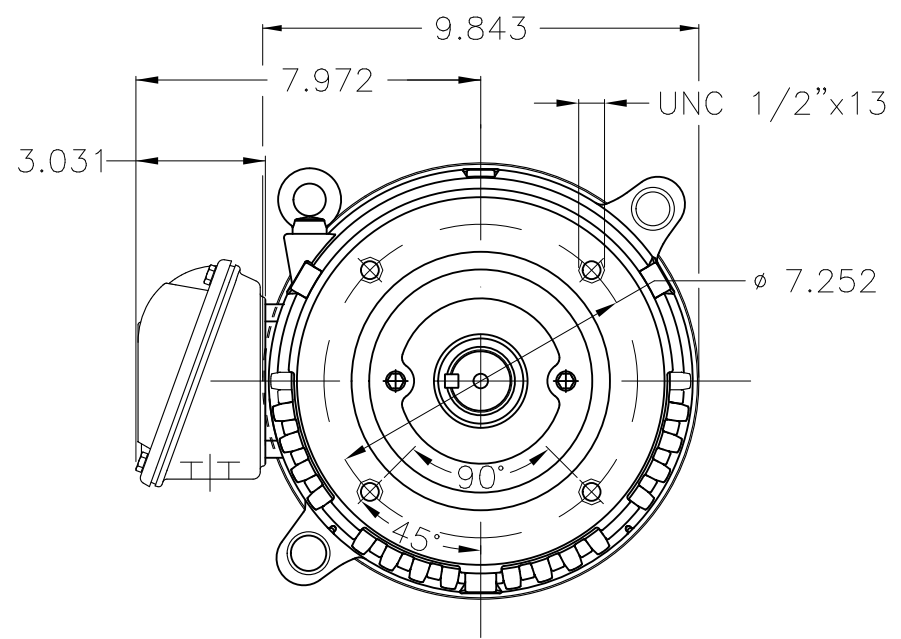
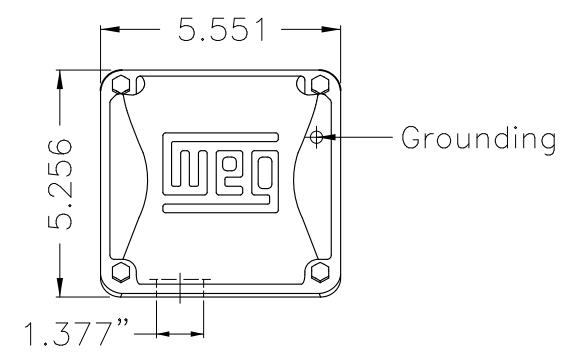
A

B

C

D

E



EUNC 1/2" - 13 WEG WPR-7309

Color Munsell N 1 matte black									
Painting plan 207N									
Mounting W-6/V18R(D)									
ECM	LOC	SUMMARY OF MODIFICATIONS			EXECUTED	CHECKED	RELEASED	DATE	VER
EXECUTED	PIRBUSER	THREE PH. MOTOR ROLLED STEEL CLOSE COUPLED PUMP JP 5/6/18R(D)							
CHECKED		FRAME 213/5JP IP21 ODP							
RELEASED									
REL DT.		WMO	Jaragua do Sul	Product Engineering					

PREVIEW
WDD



15 HP 02 Poles 60 Hz

WEG
NEMA
Premium3PT9
US LISTED

Energy Verified

MADE IN MEXICO

MAT: 13500968 CC029A

W01.T00IC0X0N

MODEL 015360T3H215JPV-S

18SET2020 S/N:

PH 3 FR 213/5JP |HP(kW) 15(11)

Hz 60

V 575

RPM 3535

A 13.8

DUTY CONT.

SFA 15.9

CODE G

SF 1.15

AMB

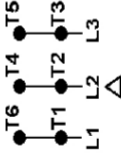
40°C

ENCL

ODP

ALT 1000 m.a.s.l. NEMA NOM.EFF. 90.2% PF 0.89

ALTERNATE RATING:

T1-BLU T2-WHT
T3-ORG T4-YEL
T5-BLK T6-GRY

INTERCHANGE ANY TWO LINE WIRES TO REVERSE THE ROTATION

Inverter duty motor For use on VPWM 1000:1 VT, 3:1 CT

DE: 6209-ZZ ODE: 6206-ZZ MOBIL POLYREX EM

WARNING: Motor must be grounded in accordance with local and national electrical codes to prevent serious electrical shocks. Disconnect power source before servicing unit.

AVERTISSEMENT: Le moteur doit être mis à la terre conformément aux codes électriques locaux et nationaux afin d'éviter tout choc électrique grave. Déconnectez l'alimentation avant l'entretien de la machine.

