

DATA SHEET



Three Phase Induction Motor - Squirrel Cage

Customer					
Product line		: JM Pump NEMA Premium Efficiency Three-Phase		Product code : 12951405	
				Catalog # : 01536OT3V215JM-S	
Frame		: 213/5JM		Locked rotor time	
Output		: 15 HP (11 kW)		: 14s (cold) 8s (hot)	
Poles		: 2		Temperature rise	
Frequency		: 60 Hz		: 80 K	
Rated voltage		: 200/400 V		Duty cycle	
Rated current		: 39.6/19.8 A		: Cont.(S1)	
L. R. Amperes		: 269/135 A		Ambient temperature	
LRC		: 6.8x(Code G)		: -20°C to +40°C	
No load current		: 14.2/7.09 A		Altitude	
Rated speed		: 3535 rpm		: 1000 m.a.s.l.	
Slip		: 1.81 %		Cooling method	
Rated torque		: 22.3 ft.lb		: IC01 - ODP	
Locked rotor torque		: 210 %		Mounting	
Breakdown torque		: 280 %		: F-1	
Insulation class		: F		Rotation ¹	
Service factor		: 1.15		: Both (CW and CCW)	
Moment of inertia (J)		: 0.5512 sq.ft.lb		Noise level ²	
Design		: B		: 66.0 dB(A)	
Starting method				: Direct On Line	
Approx. weight ³				: 142 lb	
Output		25%	50%	75%	100%
Efficiency (%)		90.1	90.2	90.2	90.2
Power Factor		0.50	0.77	0.86	0.89
Foundation loads					
Max. traction		: 281 lb			
Max. compression		: 423 lb			
Bearing type		: <u>Drive end</u> 6209 ZZ		: <u>Non drive end</u> 6206 ZZ	
Sealing		: Without Bearing Seal		: Without Bearing Seal	
Lubrication interval		: -		: -	
Lubricant amount		: -		: -	
Lubricant type		: Mobil Polyrex EM			
Notes					
This revision replaces and cancel the previous one, which must be eliminated. (1) Looking the motor from the shaft end. (2) Measured at 1m and with tolerance of +3dB(A). (3) Approximate weight subject to changes after manufacturing process. (4) At 100% of full load.			These are average values based on tests with sinusoidal power supply, subject to the tolerances stipulated in NEMA MG-1.		
Rev.	Changes Summary			Performed	Checked
Date					
Performed by				Page	
Checked by				Revision	
Date	13/04/2022			1 / 6	

TORQUE AND CURRENT VS SPEED CURVE

Three Phase Induction Motor - Squirrel Cage



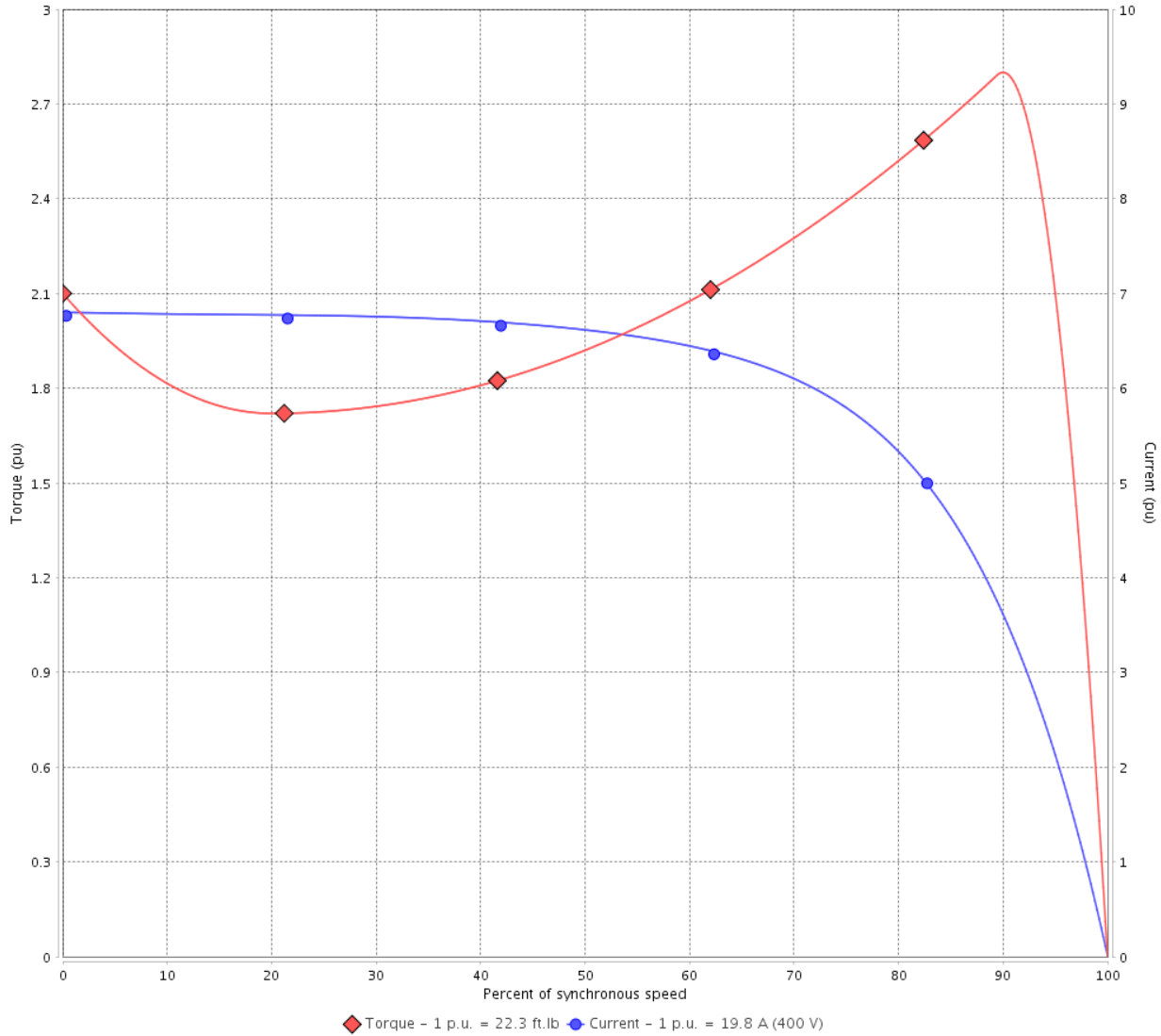
Customer :

Product line : JM Pump NEMA Premium
Efficiency Three-Phase

Product code : 12951405

Catalog # : 01536OT3V215JM-S

TORQUE AND CURRENT VS SPEED CURVE



Performance : 200/400 V 60 Hz 2P

Rated current : 39.6/19.8 A
LRC : 6.8
Rated torque : 22.3 ft.lb
Locked rotor torque : 210 %
Breakdown torque : 280 %
Rated speed : 3535 rpm

Moment of inertia (J) : 0.5512 sq.ft.lb
Duty cycle : Cont.(S1)
Insulation class : F
Service factor : 1.15
Temperature rise : 80 K
Design : B

Locked rotor time : 14s (cold) 8s (hot)

Rev.	Changes Summary	Performed	Checked	Date
Performed by			Page 2 / 6	Revision
Checked by				
Date	13/04/2022			

LOAD PERFORMANCE CURVE

Three Phase Induction Motor - Squirrel Cage

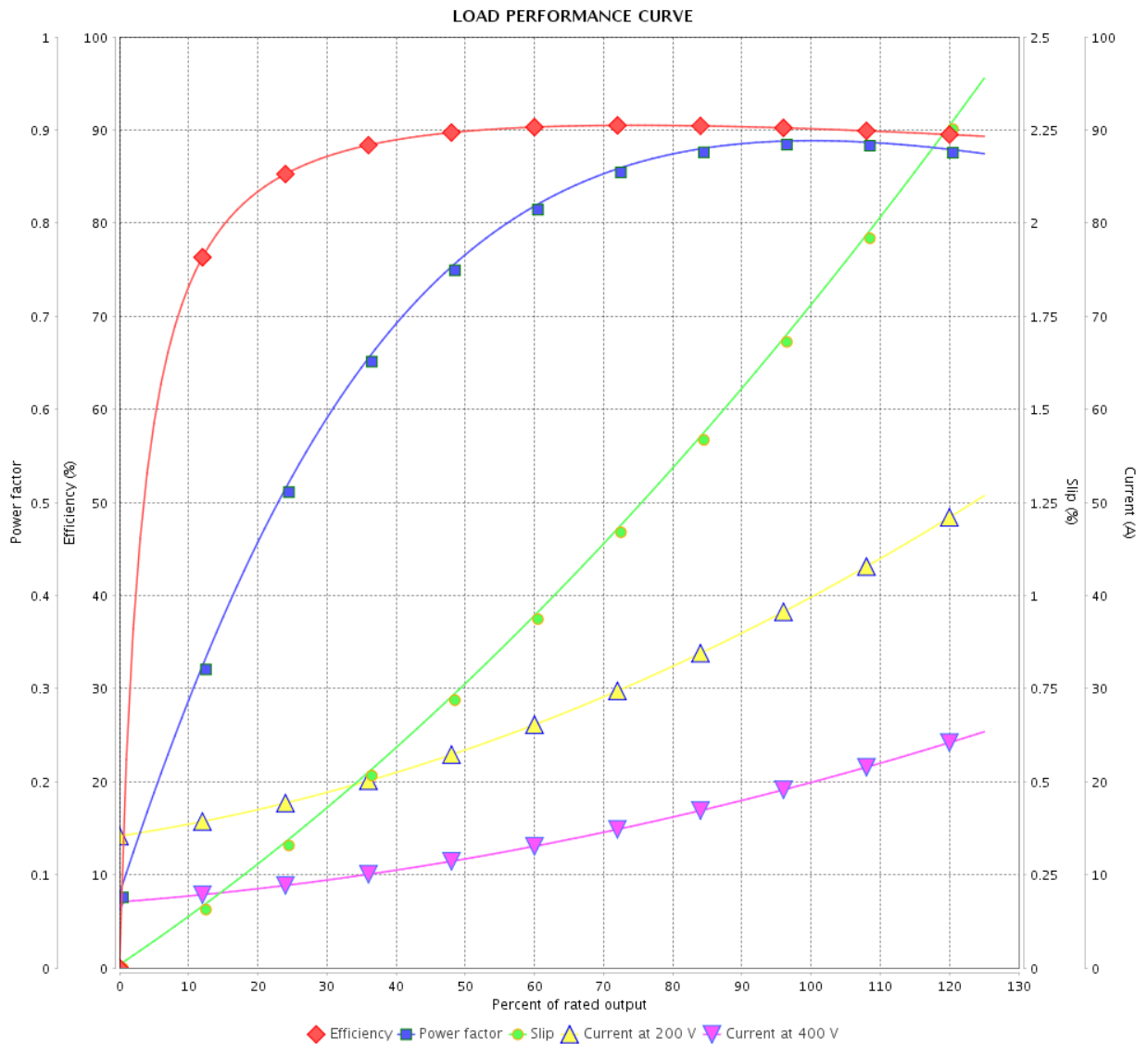


Customer :

Product line : JM Pump NEMA Premium Efficiency Three-Phase

Product code : 12951405

Catalog # : 01536OT3V215JM-S



Performance : 200/400 V 60 Hz 2P

Rated current : 39.6/19.8 A
 LRC : 6.8
 Rated torque : 22.3 ft.lb
 Locked rotor torque : 210 %
 Breakdown torque : 280 %
 Rated speed : 3535 rpm

Moment of inertia (J) : 0.5512 sq.ft.lb
 Duty cycle : Cont.(S1)
 Insulation class : F
 Service factor : 1.15
 Temperature rise : 80 K
 Design : B

Rev.	Changes Summary	Performed	Checked	Date
Performed by		Page		Revision
Checked by		3 / 6		
Date		13/04/2022		

THERMAL LIMIT CURVE



Three Phase Induction Motor - Squirrel Cage

Customer :

Product line : JM Pump NEMA Premium
Efficiency Three-Phase

Product code : 12951405

Catalog # : 01536OT3V215JM-S

Performance : 200/400 V 60 Hz 2P

Rated current : 39.6/19.8 A
LRC : 6.8
Rated torque : 22.3 ft.lb
Locked rotor torque : 210 %
Breakdown torque : 280 %
Rated speed : 3535 rpm

Moment of inertia (J) : 0.5512 sq.ft.lb
Duty cycle : Cont.(S1)
Insulation class : F
Service factor : 1.15
Temperature rise : 80 K
Design : B

Heating constant

Cooling constant

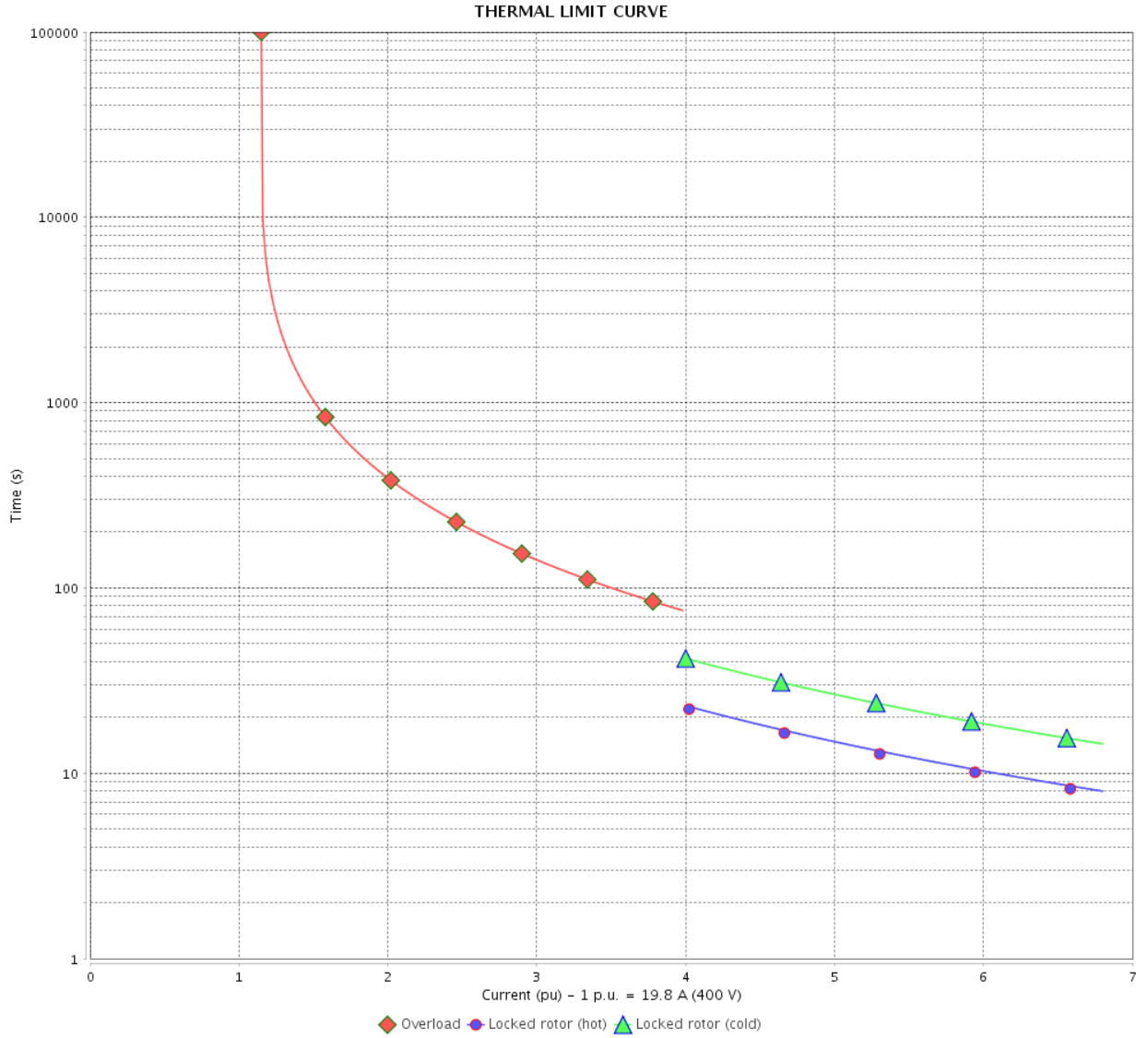
Rev.	Changes Summary	Performed	Checked	Date
Performed by				
Checked by			Page	Revision
Date	13/04/2022		4 / 6	

THERMAL LIMIT CURVE

Three Phase Induction Motor - Squirrel Cage



Customer : _____



Rev.	Changes Summary	Performed	Checked	Date
Performed by		Page 5 / 6		Revision
Checked by				
Date				

VFD OPERATION CURVE

Three Phase Induction Motor - Squirrel Cage



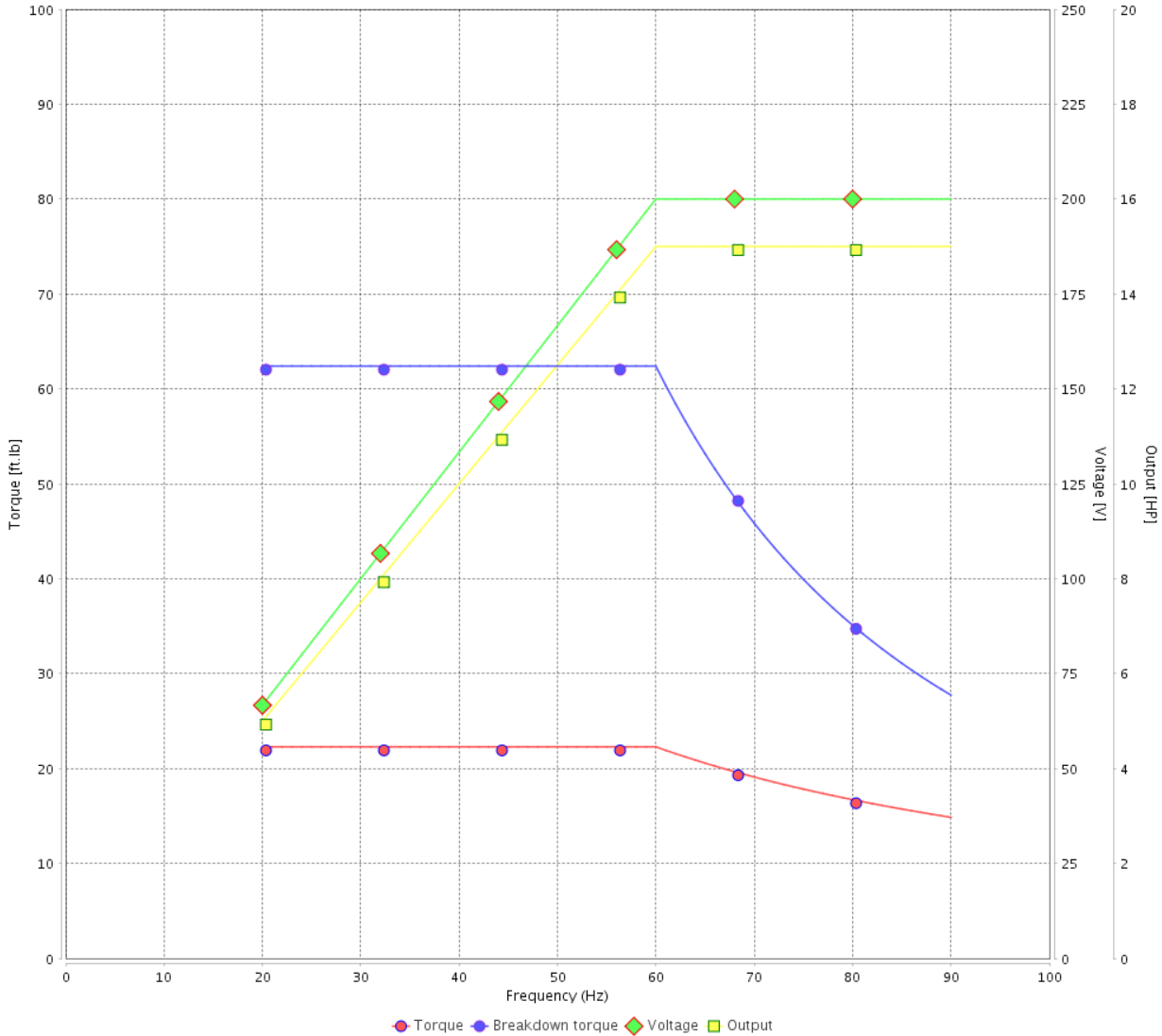
Customer :

Product line : JM Pump NEMA Premium Efficiency Three-Phase

Product code : 12951405

Catalog # : 01536OT3V215JM-S

VFD OPERATION CURVE



Performance : 200/400 V 60 Hz 2P

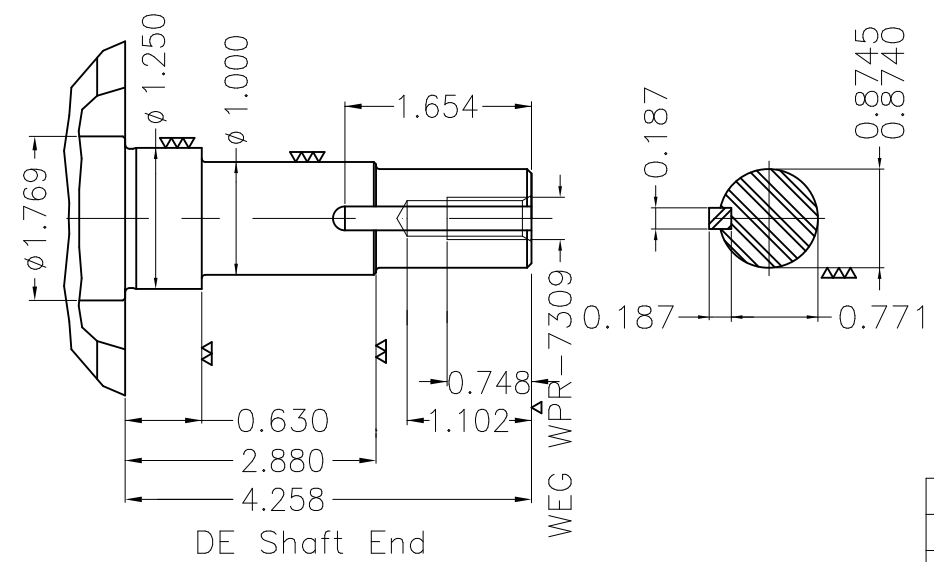
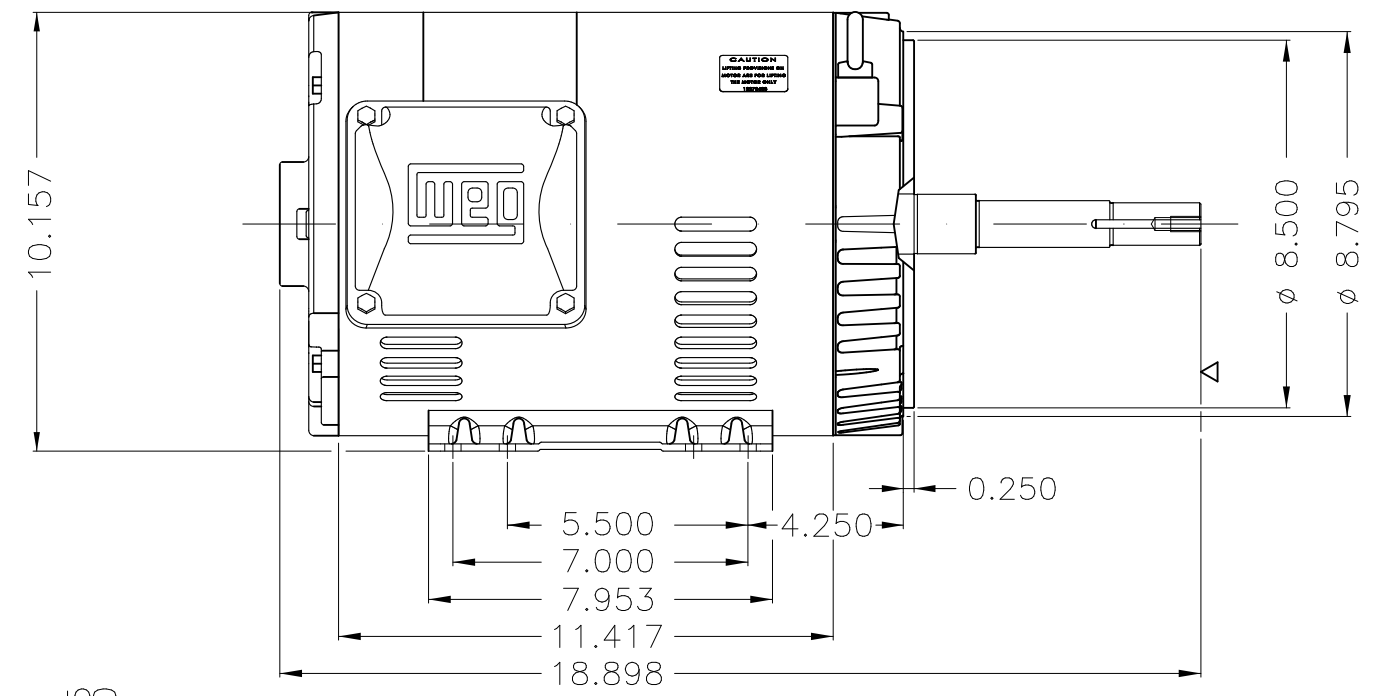
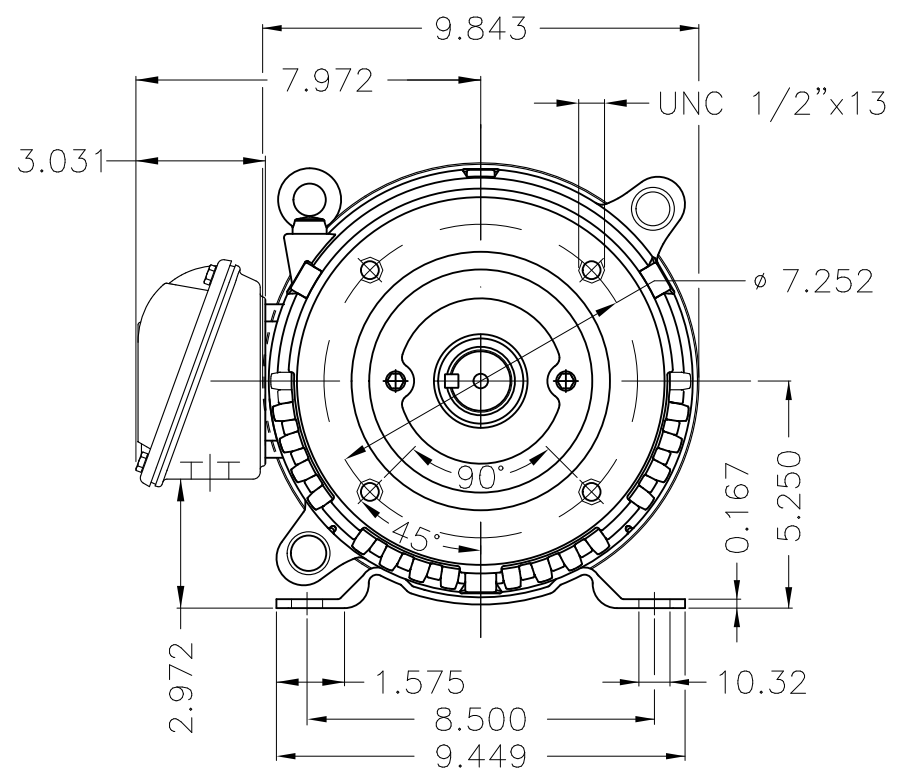
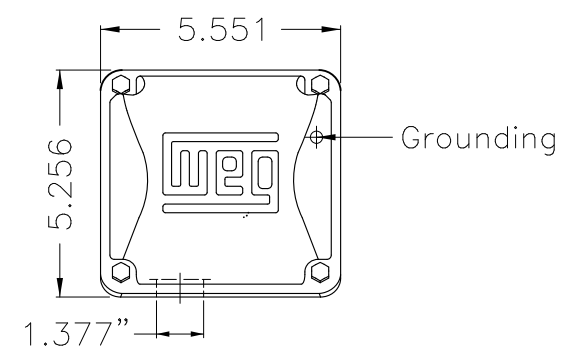
Rated current : 39.6/19.8 A
 LRC : 6.8
 Rated torque : 22.3 ft.lb
 Locked rotor torque : 210 %
 Breakdown torque : 280 %
 Rated speed : 3535 rpm

Moment of inertia (J) : 0.5512 sq.ft.lb
 Duty cycle : Cont.(S1)
 Insulation class : F
 Service factor : 1.15
 Temperature rise : 80 K
 Design : B

Rev.	Changes Summary	Performed	Checked	Date
Performed by			Page 6 / 6	Revision
Checked by				
Date	13/04/2022			

1 2 3 4 5 6

A
B
C
D
E



EUNC 3/8" - 16 WEG WPR-7309

DE Shaft End

Color Munsell N 1 matte black									
Painting plan 207N									
Mounting F-1/B34R(D)									
ECM	LOC	SUMMARY OF MODIFICATIONS			EXECUTED	CHECKED	RELEASED	DATE	VER
EXECUTED	PIRBUSER	THREE PH. MOTOR ROLLED STEEL CLOSE COUPLED PUMP JN TYPE PSE 1/2 HP							
CHECKED		FRAME 213/5JM IP21 ODP							
RELEASED									
REL DT.		WMO	Jaragua do Sul	Product Engineering					

PREVIEW

WDD



15 HP 02 Poles 60 Hz

**NEMA
Premium**

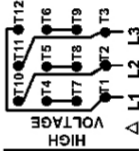
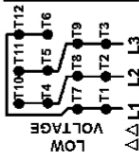
MADE IN MEXICO

MAT: 12951405 CC029A**W01.T00IC0X0N****MODEL 01536OT3V215JM-S****12APR2022 S/N:**

PH 3	Hz 60	HP 15
FR 213/5JM		KW 11
DUTY CONT.		V 200/400
ALT 1000 m.a.s.l		A 39.6/19.8
INS CL F AT 80K		SFA 45.5/22.8
AMB 40°C	DES B	SF 1.15
ENCL ODP	CODE G	PF 0.89
		RPM 3535
		NEMA NOM. EFF 90.2%

Inverter duty motor For use on VPWM 1000:1 VT, 3:1 CT

DE 6209-ZZ	ODE 6206-ZZ	MOBIL POLYREX EM
-------------------	--------------------	-------------------------



T1-BLU T2-WHT
 T3-ORG T4-YEL
 T5-BLK T6-GRY
 T7-PNK T8-RED
 T9-BRK RED
 T10-CURRY
 T11-GRN T12-VLT

INTERCHANGE ANY TWO LINE WIRES TO REVERSE THE ROTATION

WARNING: Motor must be grounded in accordance with local and national electrical codes to prevent serious electrical shocks. Disconnect power source before servicing unit.

**AVERTISSEMENT:** Le moteur doit être mis à la terre

conformément aux codes électriques locaux et nationaux afin d'éviter tout choc électrique grave. Déconnectez l'alimentation avant l'entretien de la machine.

