



# TORQUE AND CURRENT VS SPEED CURVE

## Three Phase Induction Motor - Squirrel Cage



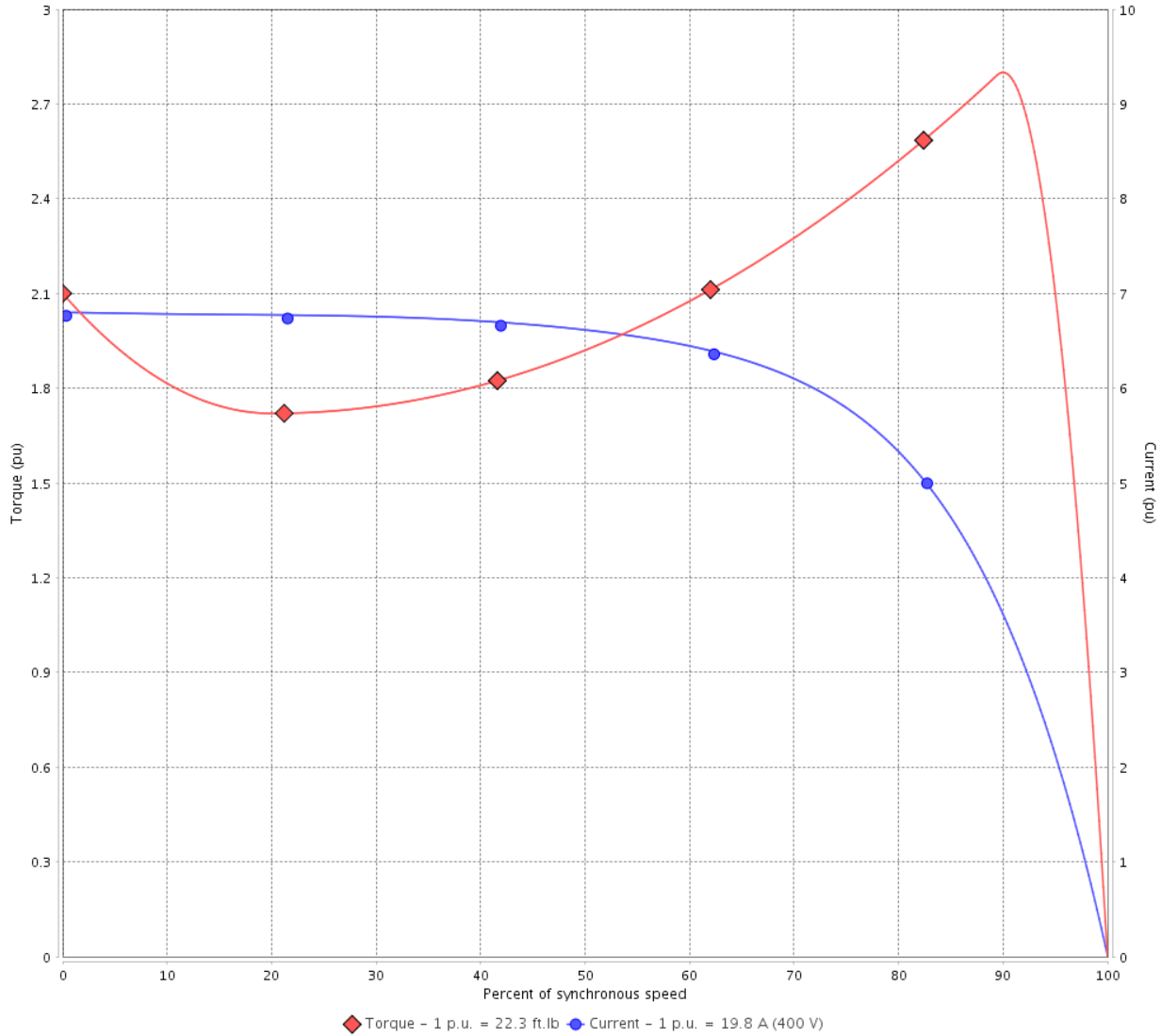
Customer :

Product line : JP Pump NEMA Premium  
Efficiency Three-Phase

Product code : 13482984

Catalog # : 01536OT3V215JPV-S

TORQUE AND CURRENT VS SPEED CURVE



Performance : 200/400 V 60 Hz 2P

Rated current	: 39.6/19.8 A	Moment of inertia (J)	: 0.5512 sq.ft.lb
LRC	: 6.8	Duty cycle	: Cont.(S1)
Rated torque	: 22.3 ft.lb	Insulation class	: F
Locked rotor torque	: 210 %	Service factor	: 1.15
Breakdown torque	: 280 %	Temperature rise	: 80 K
Rated speed	: 3535 rpm	Design	: B

Locked rotor time : 14s (cold) 8s (hot)

Rev.	Changes Summary	Performed	Checked	Date
Performed by			Page 2 / 6	Revision
Checked by				
Date	13/04/2022			

# LOAD PERFORMANCE CURVE

## Three Phase Induction Motor - Squirrel Cage

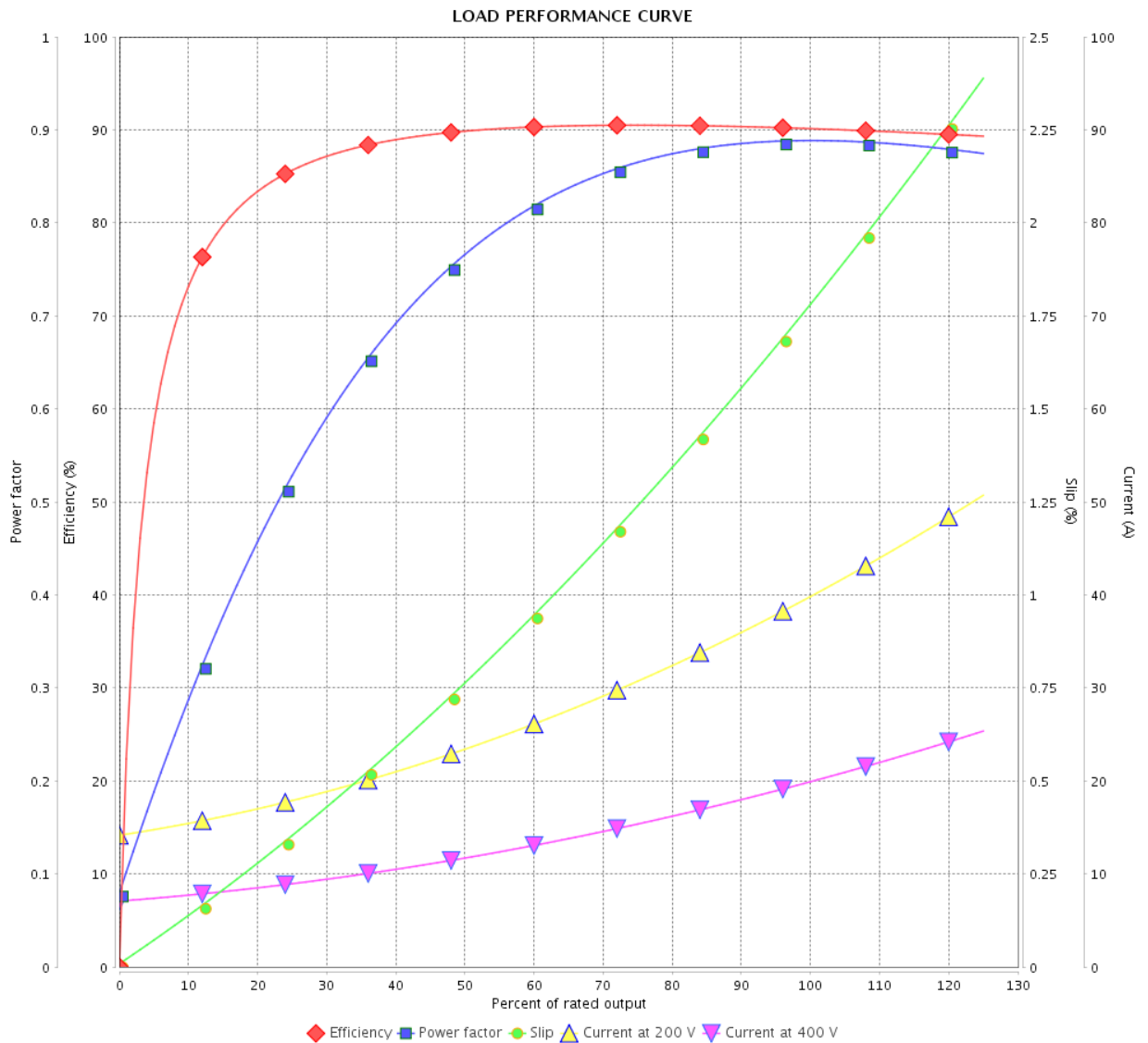


Customer :

Product line : JP Pump NEMA Premium Efficiency Three-Phase

Product code : 13482984

Catalog # : 01536OT3V215JPV-S



Performance : 200/400 V 60 Hz 2P

Rated current : 39.6/19.8 A  
 LRC : 6.8  
 Rated torque : 22.3 ft.lb  
 Locked rotor torque : 210 %  
 Breakdown torque : 280 %  
 Rated speed : 3535 rpm

Moment of inertia (J) : 0.5512 sq.ft.lb  
 Duty cycle : Cont.(S1)  
 Insulation class : F  
 Service factor : 1.15  
 Temperature rise : 80 K  
 Design : B

Rev.	Changes Summary	Performed	Checked	Date
Performed by			Page	Revision
Checked by				
Date				

# THERMAL LIMIT CURVE



## Three Phase Induction Motor - Squirrel Cage

Customer :

Product line : JP Pump NEMA Premium  
Efficiency Three-Phase

Product code : 13482984

Catalog # : 01536OT3V215JPV-S

Performance : 200/400 V 60 Hz 2P

Rated current : 39.6/19.8 A  
LRC : 6.8  
Rated torque : 22.3 ft.lb  
Locked rotor torque : 210 %  
Breakdown torque : 280 %  
Rated speed : 3535 rpm

Moment of inertia (J) : 0.5512 sq.ft.lb  
Duty cycle : Cont.(S1)  
Insulation class : F  
Service factor : 1.15  
Temperature rise : 80 K  
Design : B

Heating constant

Cooling constant

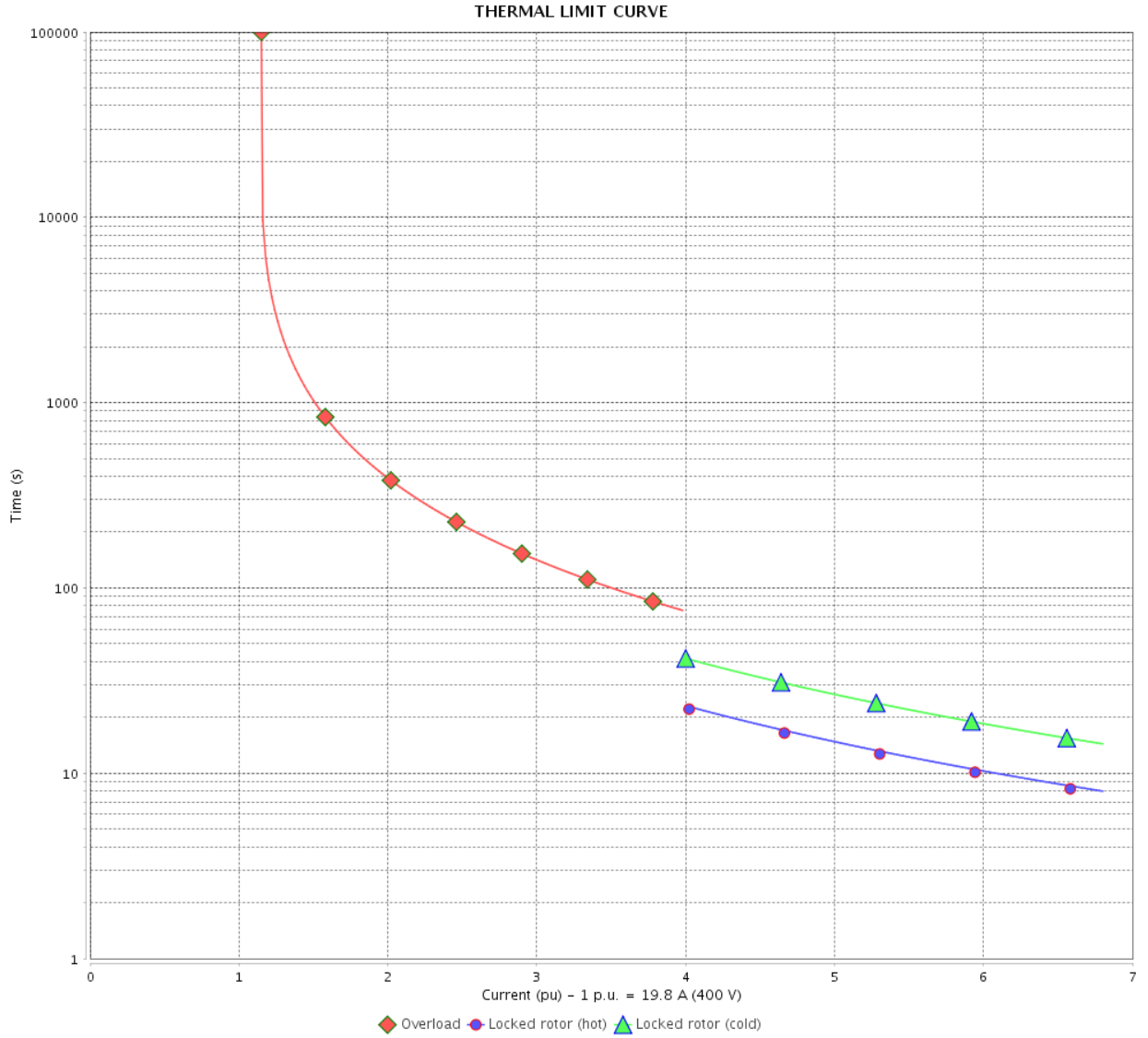
Rev.	Changes Summary	Performed	Checked	Date
Performed by				
Checked by			Page	Revision
Date	13/04/2022		4 / 6	

# THERMAL LIMIT CURVE

Three Phase Induction Motor - Squirrel Cage



Customer : \_\_\_\_\_



Rev.	Changes Summary	Performed	Checked	Date
Performed by				
Checked by				
Date				
			Page	Revision
			5 / 6	

# VFD OPERATION CURVE

Three Phase Induction Motor - Squirrel Cage



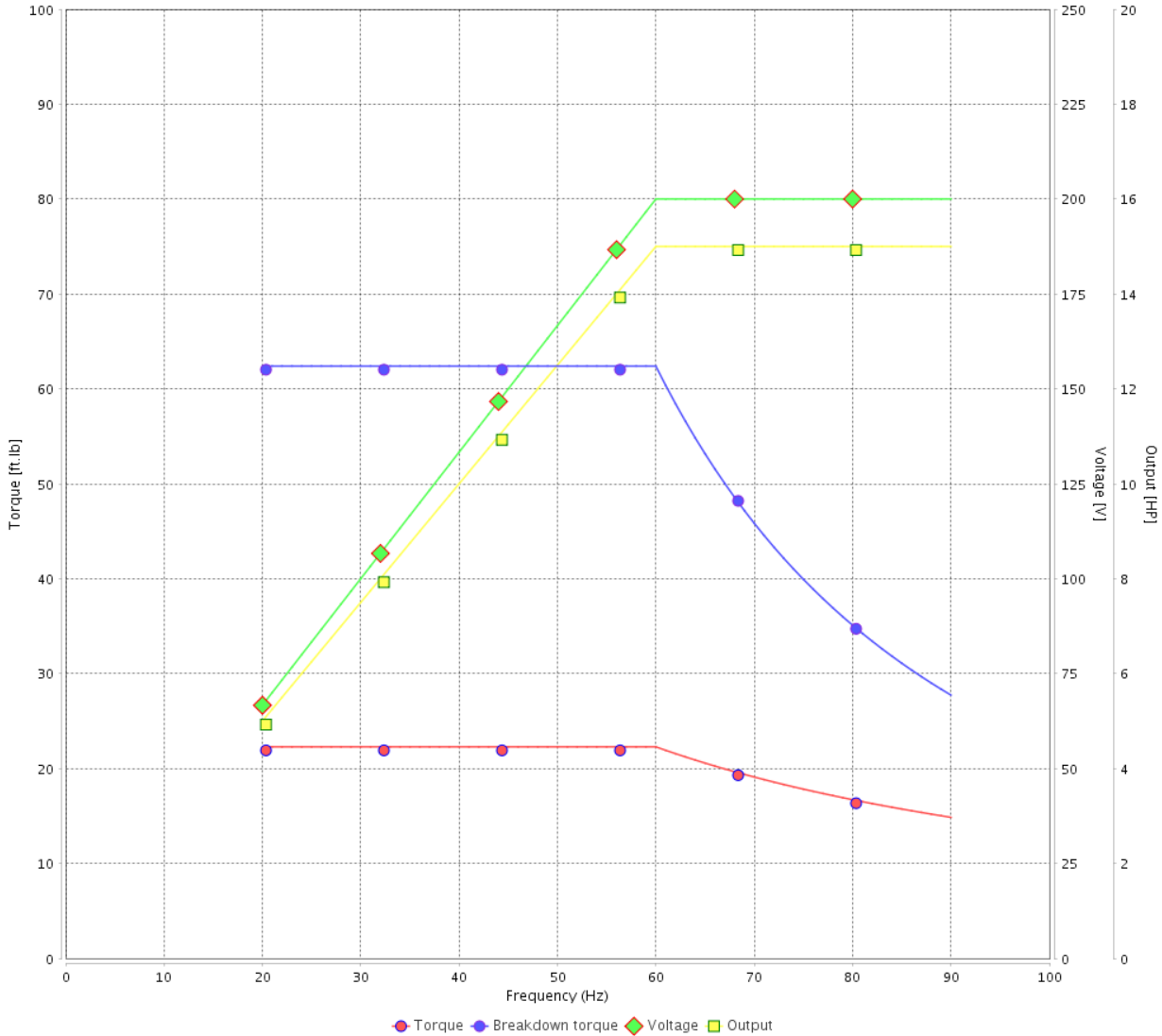
Customer :

Product line : JP Pump NEMA Premium Efficiency Three-Phase

Product code : 13482984

Catalog # : 01536OT3V215JPV-S

VFD OPERATION CURVE



Performance : 200/400 V 60 Hz 2P

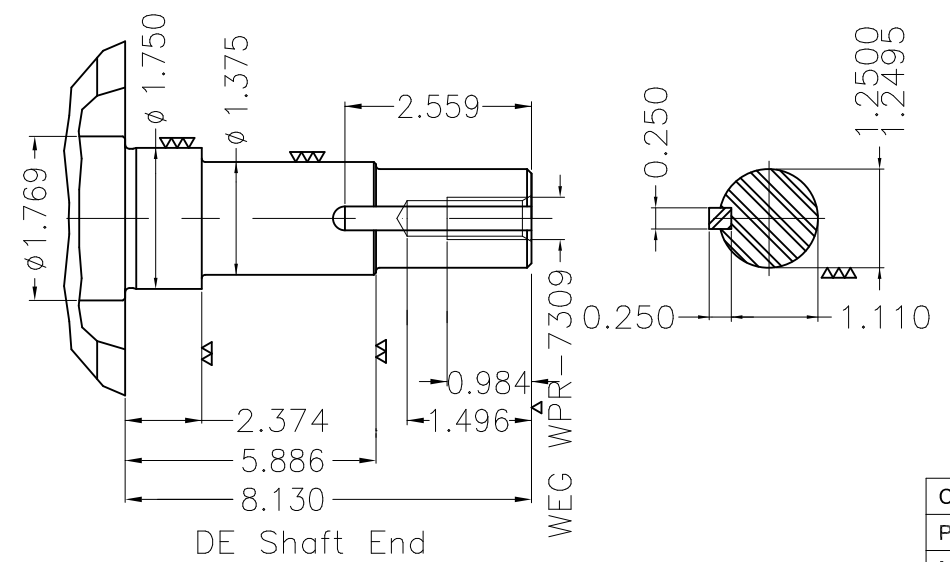
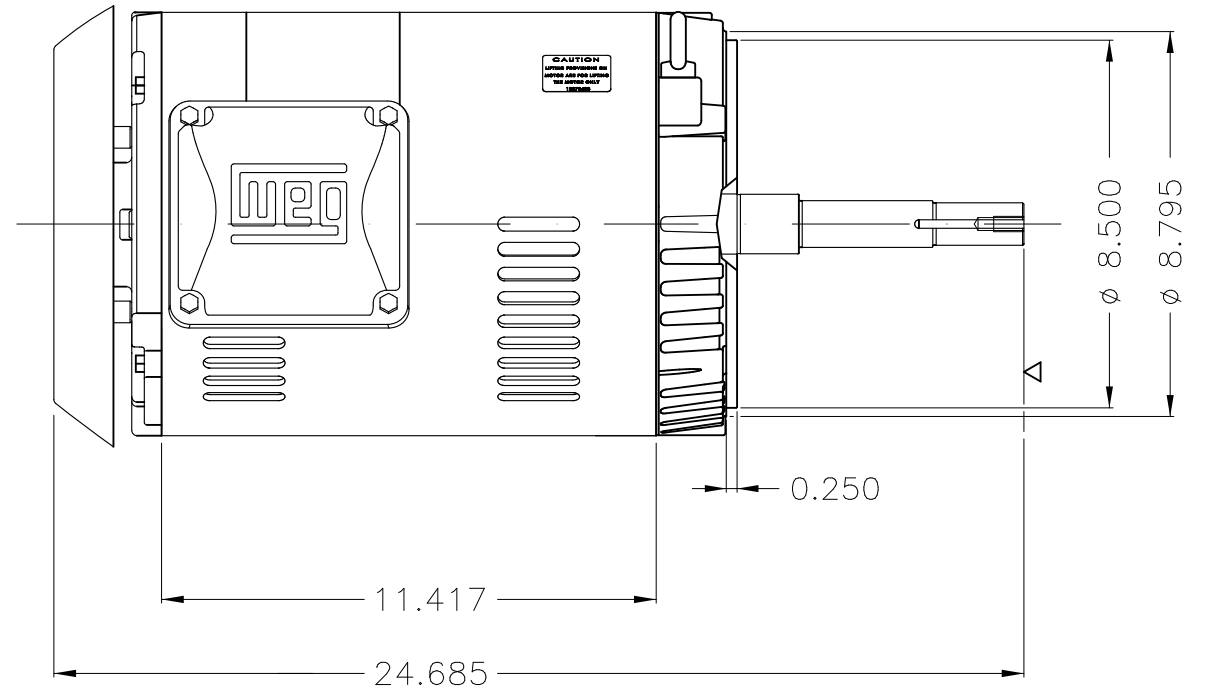
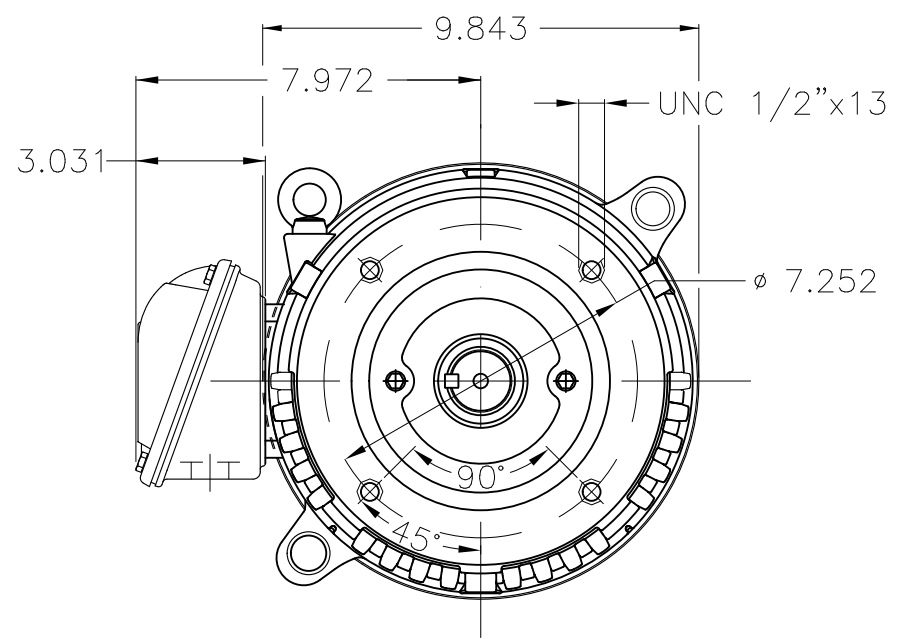
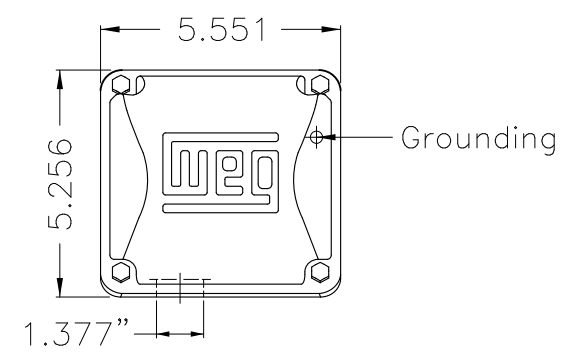
Rated current : 39.6/19.8 A  
 LRC : 6.8  
 Rated torque : 22.3 ft.lb  
 Locked rotor torque : 210 %  
 Breakdown torque : 280 %  
 Rated speed : 3535 rpm

Moment of inertia (J) : 0.5512 sq.ft.lb  
 Duty cycle : Cont.(S1)  
 Insulation class : F  
 Service factor : 1.15  
 Temperature rise : 80 K  
 Design : B

Rev.	Changes Summary	Performed	Checked	Date
Performed by			Page 6 / 6	Revision
Checked by				
Date	13/04/2022			

1 2 3 4 5 6

A  
B  
C  
D  
E



EUNC 1/2" - 13 WEG WPR-7309

Color Munsell N 1 matte black									
Painting plan 207N									
Mounting W-6/V18R(D)									
ECM	LOC	SUMMARY OF MODIFICATIONS			EXECUTED	CHECKED	RELEASED	DATE	VER
EXECUTED	PIRBUSER	THREE PH. MOTOR ROLLED STEEL CLOSE COUPLED PUMP JP 5/6/18R(D)							
CHECKED		FRAME 213/5JP IP21 ODP							
RELEASED									
REL DT.		WMO	Jaragua do Sul	Product Engineering					

**PREVIEW**  
WDD



15 HP 02 Poles 60 Hz

Dimensions in inches XME A3

**WEG**  
**NEMA**  
**Premium**

MADE IN MEXICO

MAT: 13482984 CC029A

W01.T00IC0X0N

MODEL 015360T3V215JPV-S

10DEZ2018 S/N:

PH 3 FR 213/5JP |HP(kw) 15(11)

Hz 60

V 200/400

RPM 3535

A 39.6/19.8

DUTY CONT.

SFA 45.5/22.8

CODE G

SF 1.15

DES B

INS CL F ΔT

ENCL ODP

80K

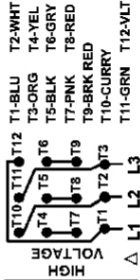
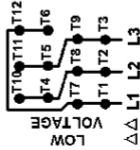
40°C

AMB

PF 0.89

90.2%

ALTERNATE RATING:



INTERCHANGE ANY TWO LINE WIRES TO REVERSE THE ROTATION

Inverter duty For use on VPWM 1000:1 VT, 3:1 CT

DE: 6209-ZZ ODE: 6206-ZZ MOBIL POLYREX EM

WARNING: Motor must be grounded in accordance with local and national electrical codes to prevent serious electrical shocks. Disconnect power source before servicing unit.

AVERTISSEMENT: Le moteur doit être mis à la terre conformément aux codes électriques locaux et nationaux afin d'éviter tout choc électrique grave. Déconnectez l'alimentation avant l'entretien de la machine.

