

TORQUE AND CURRENT VS SPEED CURVE

Three Phase Induction Motor - Squirrel Cage



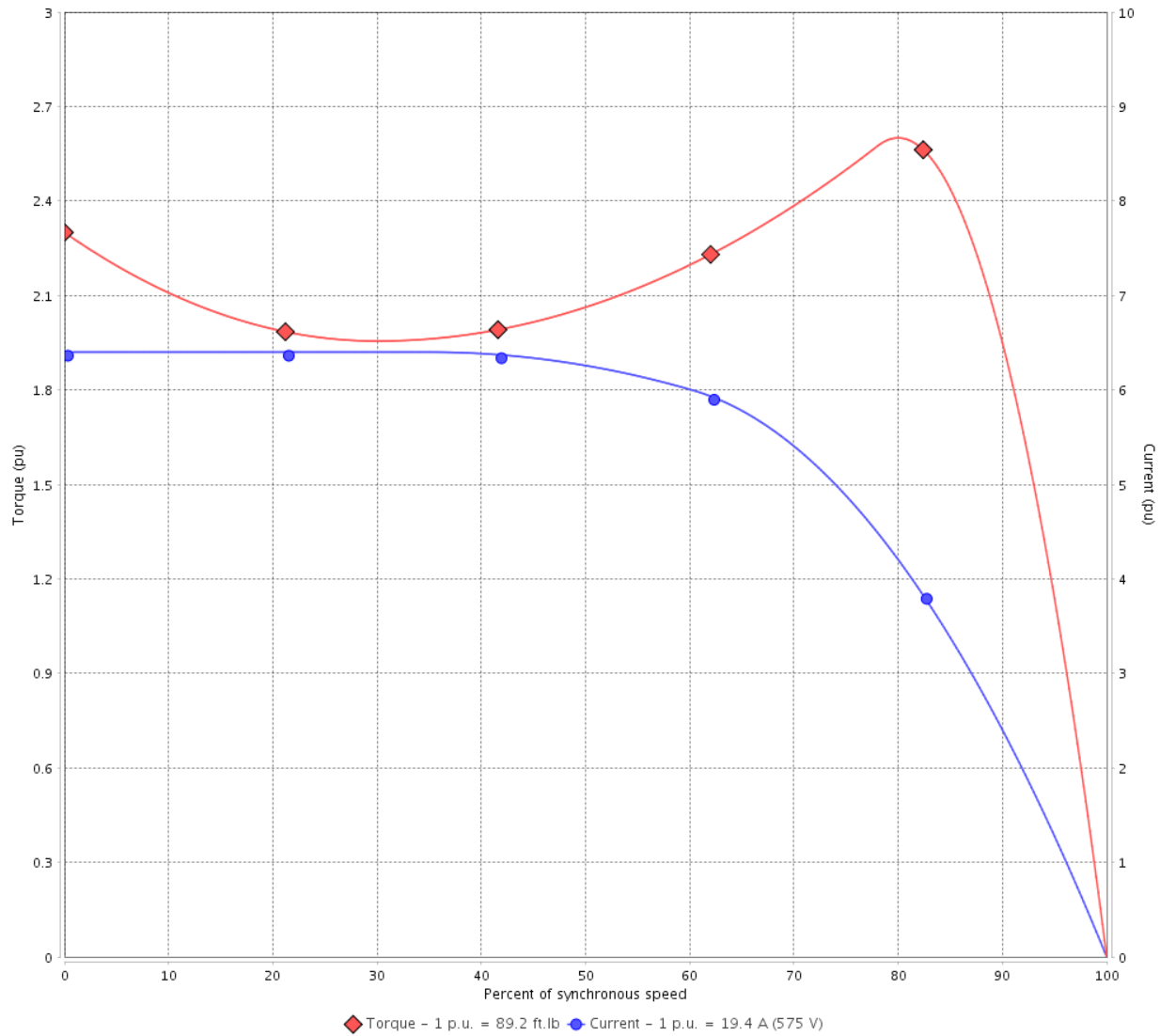
Customer :

Product line : W40 NEMA Premium Efficiency
Three-Phase

Product code : 14494189

Catalog # : 020120T3H286T-W40

TORQUE AND CURRENT VS SPEED CURVE



Performance : 575 V 60 Hz 6P

Rated current	: 19.4 A	Moment of inertia (J)	: 6.89 sq.ft.lb
LRC	: 6.4	Duty cycle	: Cont.(S1)
Rated torque	: 89.2 ft.lb	Insulation class	: F
Locked rotor torque	: 229 %	Service factor	: 1.25
Breakdown torque	: 260 %	Temperature rise	: 80 K
Rated speed	: 1177 rpm	Design	: B

Locked rotor time : 27s (cold) 15s (hot)

Rev.	Changes Summary	Performed	Checked	Date
Performed by			Page 2 / 6	Revision
Checked by				
Date	14/04/2022			

LOAD PERFORMANCE CURVE

Three Phase Induction Motor - Squirrel Cage

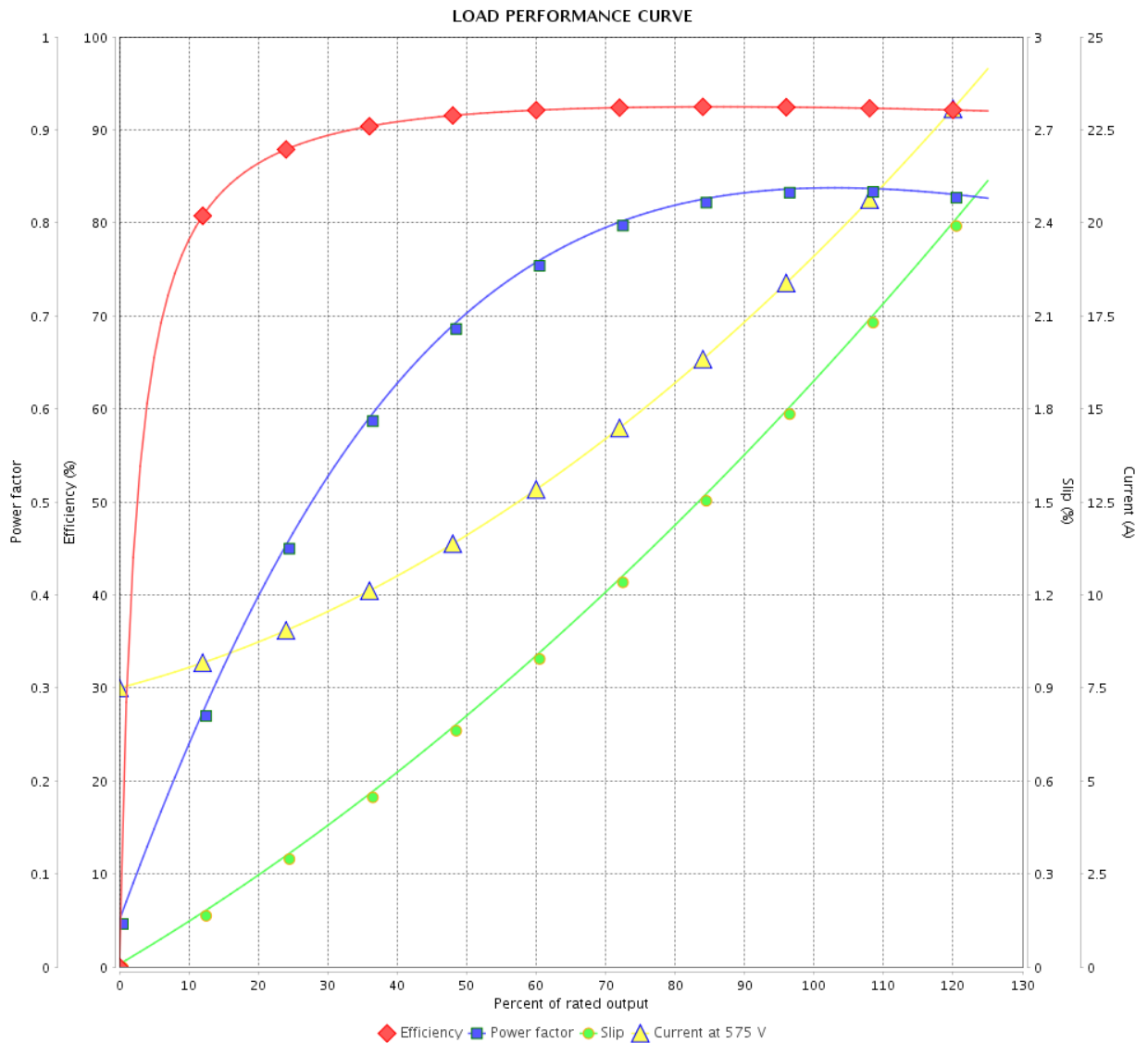


Customer :

Product line : W40 NEMA Premium Efficiency Three-Phase

Product code : 14494189

Catalog # : 02012OT3H286T-W40



Performance : 575 V 60 Hz 6P

Rated current : 19.4 A
 LRC : 6.4
 Rated torque : 89.2 ft.lb
 Locked rotor torque : 229 %
 Breakdown torque : 260 %
 Rated speed : 1177 rpm

Moment of inertia (J) : 6.89 sq.ft.lb
 Duty cycle : Cont.(S1)
 Insulation class : F
 Service factor : 1.25
 Temperature rise : 80 K
 Design : B

Rev.	Changes Summary	Performed	Checked	Date
Performed by		Page		Revision
Checked by		3 / 6		
Date		14/04/2022		

THERMAL LIMIT CURVE

Three Phase Induction Motor - Squirrel Cage



Customer :

Product line : W40 NEMA Premium Efficiency
Three-Phase

Product code : 14494189

Catalog # : 02012OT3H286T-W40

Performance : 575 V 60 Hz 6P

Rated current	: 19.4 A	Moment of inertia (J)	: 6.89 sq.ft.lb
LRC	: 6.4	Duty cycle	: Cont.(S1)
Rated torque	: 89.2 ft.lb	Insulation class	: F
Locked rotor torque	: 229 %	Service factor	: 1.25
Breakdown torque	: 260 %	Temperature rise	: 80 K
Rated speed	: 1177 rpm	Design	: B

Heating constant

Cooling constant

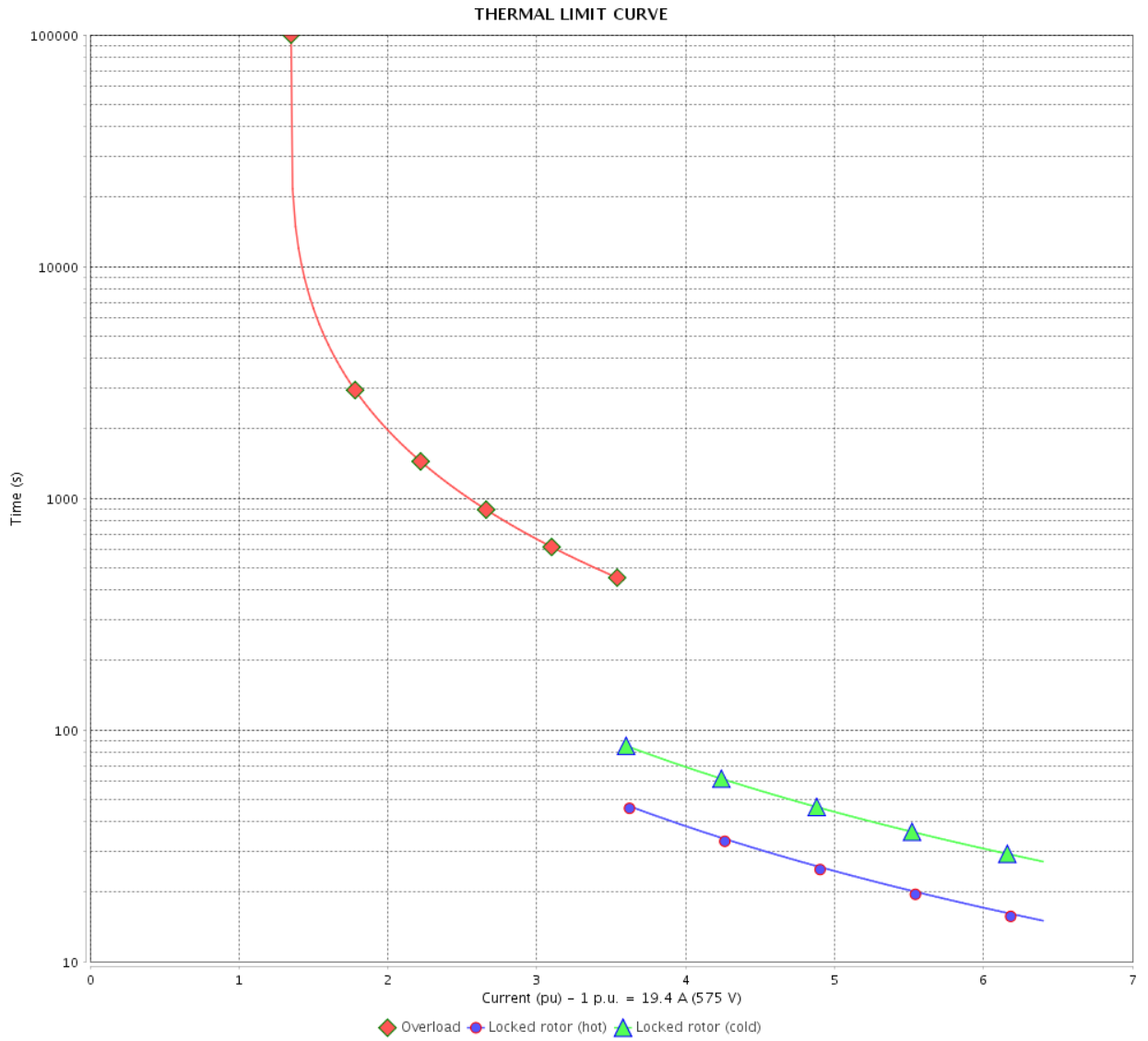
Rev.	Changes Summary	Performed	Checked	Date
Performed by				
Checked by			Page	Revision
Date	14/04/2022		4 / 6	

THERMAL LIMIT CURVE

Three Phase Induction Motor - Squirrel Cage



Customer : _____



Rev.	Changes Summary	Performed	Checked	Date
Performed by		Page 5 / 6		Revision
Checked by				
Date				

VFD OPERATION CURVE

Three Phase Induction Motor - Squirrel Cage

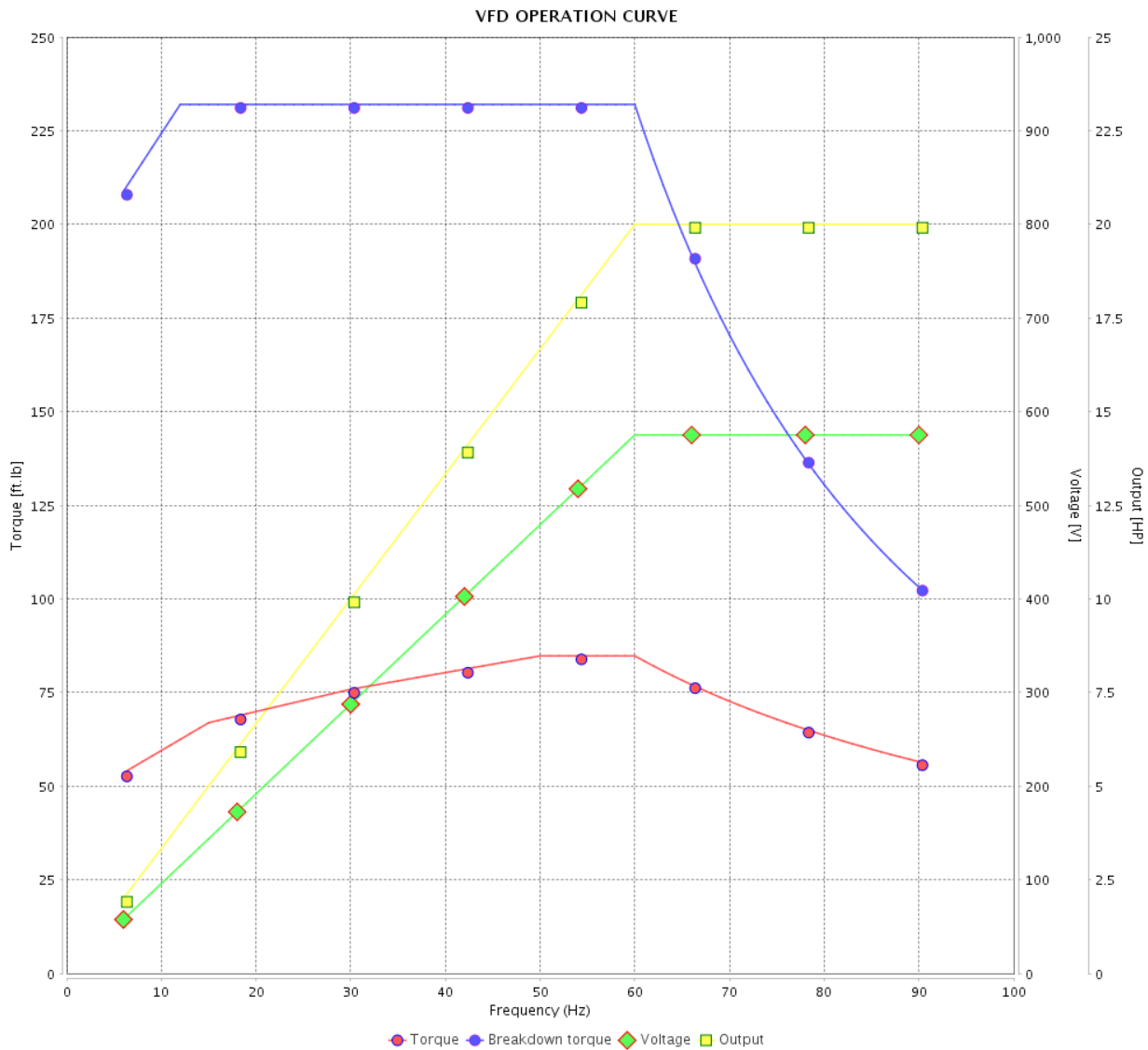


Customer :

Product line : W40 NEMA Premium Efficiency Three-Phase

Product code : 14494189

Catalog # : 02012OT3H286T-W40

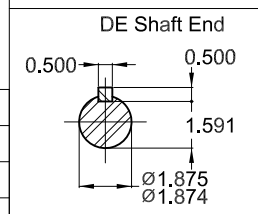
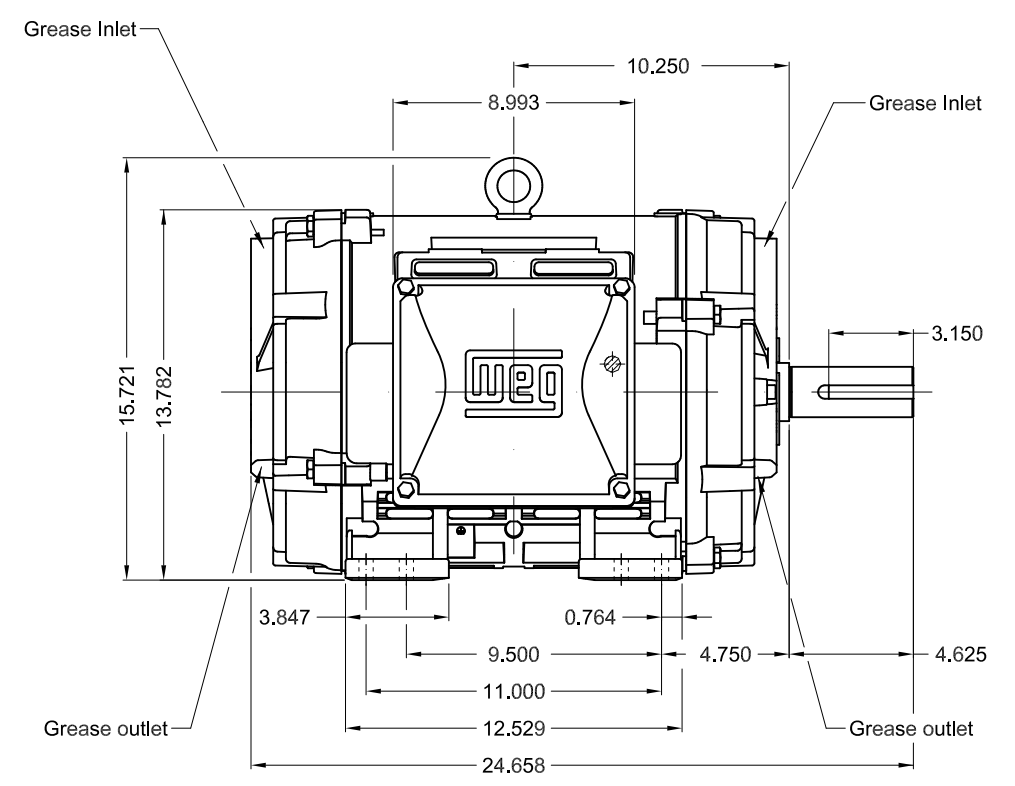
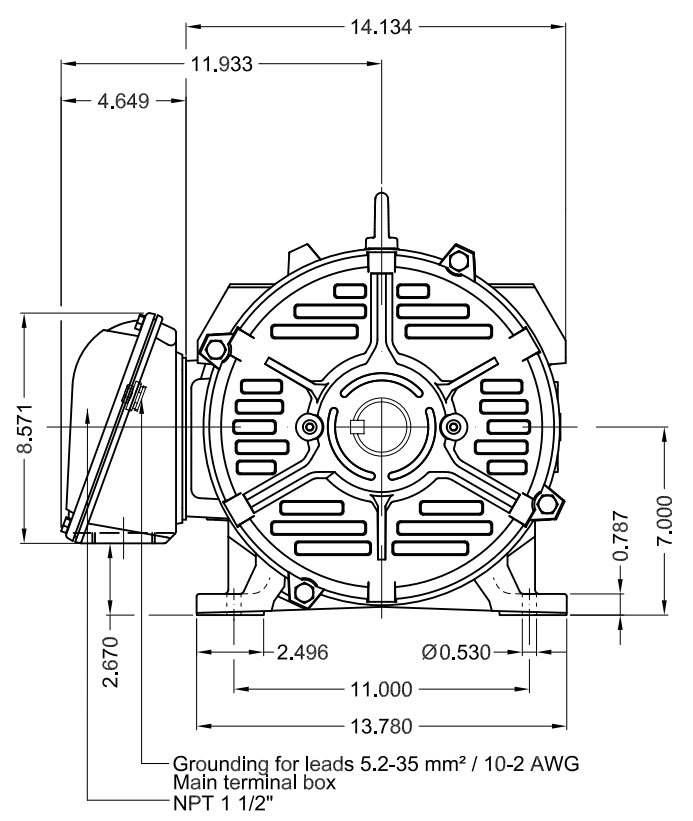


Performance : 575 V 60 Hz 6P

Rated current : 19.4 A
 LRC : 6.4
 Rated torque : 89.2 ft.lb
 Locked rotor torque : 229 %
 Breakdown torque : 260 %
 Rated speed : 1177 rpm

Moment of inertia (J) : 6.89 sq.ft.lb
 Duty cycle : Cont.(S1)
 Insulation class : F
 Service factor : 1.25
 Temperature rise : 80 K
 Design : B

Rev.	Changes Summary	Performed	Checked	Date
Performed by			Page 6 / 6	Revision
Checked by				
Date	14/04/2022			



Color RAL 5009
Painting plan 203A
Mounting NEMA F-1
Mounting B3R(D)

20 HP 06 Poles 60 Hz A

1:7

ECM	LOC	SUMMARY OF MODIFICATIONS	EXECUTED	CHECKED	RELEASED	DATE	VER
EXECUTED	PIRWBUSER	THREE PH. MOTOR W40 PREM. EFF.					
CHECKED		FRAME 284/6T IP23 ODP					
RELEASED							
REL DT.		WMO Jaragua do Sul	Product Engineering	SHEET	1 / 1		

PREVIEW
WDD



MODEL 020120T3H286T-W40
MADE IN BRAZIL
14494189

WEG **W40 NEMA**
CC029A Premium
Inverter Duty Motor



IEC 60034-1
MOD.T01#FOXON



For use on PWM, VT 1000:1, CT 3:1, 1.0SF

PH 3	FR 284/6T	HP(kW) 20(15)	Hz 60
V 575	A 19.4	IP23	
NEMA NOM EFF	92.4 %	RPM 1177	
ENCL ODP	DUTY CONT.	INS. CL. F Δ T 80 K	
PF 0.84	DES B	CODE G	AMB. 40°C
SF 1.25	SFA 24.3	ALT 1000 m.a.s.l.	

