

# DATA SHEET



## Three Phase Induction Motor - Squirrel Cage

Customer :				
Product line	: NEMA Premium Efficiency Three-Phase			
Product code :	12692798			
Catalog # :	02018ET3E256T-S			
Frame	: 254/6T			
Insulation class	: F			
Duty cycle	: Cont.(S1)			
Ambient temperature	: -20°C to +40°C			
Altitude	: 1000 m.a.s.l.			
Protection degree	: IP55			
Design	: B			
Cooling method	: IC411 - TEFC			
Mounting	: F-1			
Rotation <sup>1</sup>	: Both (CW and CCW)			
Starting method	: Direct On Line			
Approx. weight <sup>2</sup>	: 242 lb			
Moment of inertia (J)	: 2.64 sq.ft.lb			
Output [HP]	20	15	15	
Poles	4	4	4	
Frequency [Hz]	60	50	50	
Rated voltage [V]	230/460	190/380	220/415	
Rated current [A]	49.4/24.7	44.4/22.2	41.3/21.9	
L. R. Amperes [A]	331/165	329/164	330/175	
LRC [A]	6.7x(Code H)	7.4x(Code J)	8.0x(Code K)	
No load current [A]	22.2/11.1	21.9/10.9	22.5/11.9	
Rated speed [RPM]	1765	1470	1475	
Slip [%]	1.94	2.00	1.67	
Rated torque [ft.lb]	59.5	53.6	53.4	
Locked rotor torque [%]	270	270	310	
Breakdown torque [%]	300	320	360	
Service factor	1.15	1.15	1.15	
Temperature rise	80 K	80 K	80 K	
Locked rotor time	28s (cold) 16s (hot)	0s (cold) 0s (hot)	0s (cold) 0s (hot)	
Noise level <sup>2</sup>	68.0 dB(A)	65.0 dB(A)	65.0 dB(A)	
Efficiency (%)	25%	91.0	91.8	91.1
	50%	91.7	91.6	91.1
	75%	92.4	92.2	92.1
	100%	93.0	91.8	91.9
Power Factor	25%	0.40	0.37	0.34
	50%	0.66	0.63	0.58
	75%	0.77	0.75	0.71
	100%	0.82	0.82	0.79
Bearing type	: <u>Drive end</u> 6309 Z C3 <u>Non drive end</u> 6208 Z C3	Foundation loads		
Sealing	: V'Ring Without Bearing Seal	Max. traction	: 801 lb	
Lubrication interval	: 20000 h 20000 h	Max. compression	: 1043 lb	
Lubricant amount	: 13 g 8 g			
Lubricant type	: Mobil Polyrex EM			
Notes USABLE @208V 54.6A SF 1.00 SFA 54.6A				
This revision replaces and cancel the previous one, which must be eliminated. (1) Looking the motor from the shaft end. (2) Measured at 1m and with tolerance of +3dB(A). (3) Approximate weight subject to changes after manufacturing process. (4) At 100% of full load.		These are average values based on tests with sinusoidal power supply, subject to the tolerances stipulated in NEMA MG-1.		
Rev.	Changes Summary	Performed	Checked	Date
Performed by				
Checked by			Page	Revision
Date	14/04/2022		1 / 16	

# TORQUE AND CURRENT VS SPEED CURVE

Three Phase Induction Motor - Squirrel Cage



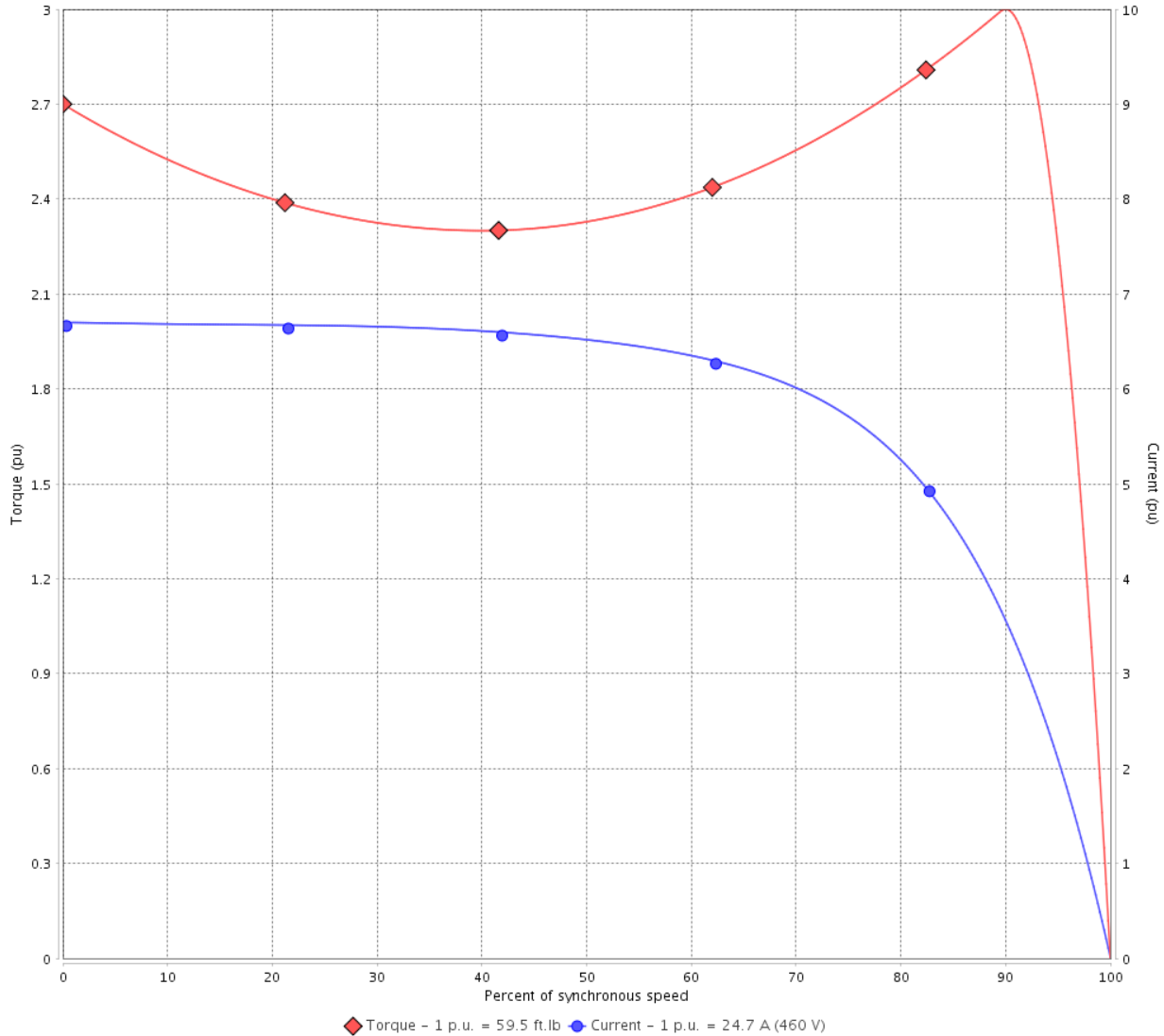
Customer :

Product line : NEMA Premium Efficiency Three-Phase

Product code : 12692798

Catalog # : 02018ET3E256T-S

TORQUE AND CURRENT VS SPEED CURVE



Performance : 230/460 V 60 Hz 4P

Rated current	: 49.4/24.7 A	Moment of inertia (J)	: 2.64 sq.ft.lb
LRC	: 6.7	Duty cycle	: Cont.(S1)
Rated torque	: 59.5 ft.lb	Insulation class	: F
Locked rotor torque	: 270 %	Service factor	: 1.15
Breakdown torque	: 300 %	Temperature rise	: 80 K
Rated speed	: 1765 rpm	Design	: B

Locked rotor time : 28s (cold) 16s (hot)

Rev.	Changes Summary	Performed	Checked	Date
Performed by			Page 2 / 16	Revision
Checked by				
Date	14/04/2022			

# TORQUE AND CURRENT VS SPEED CURVE



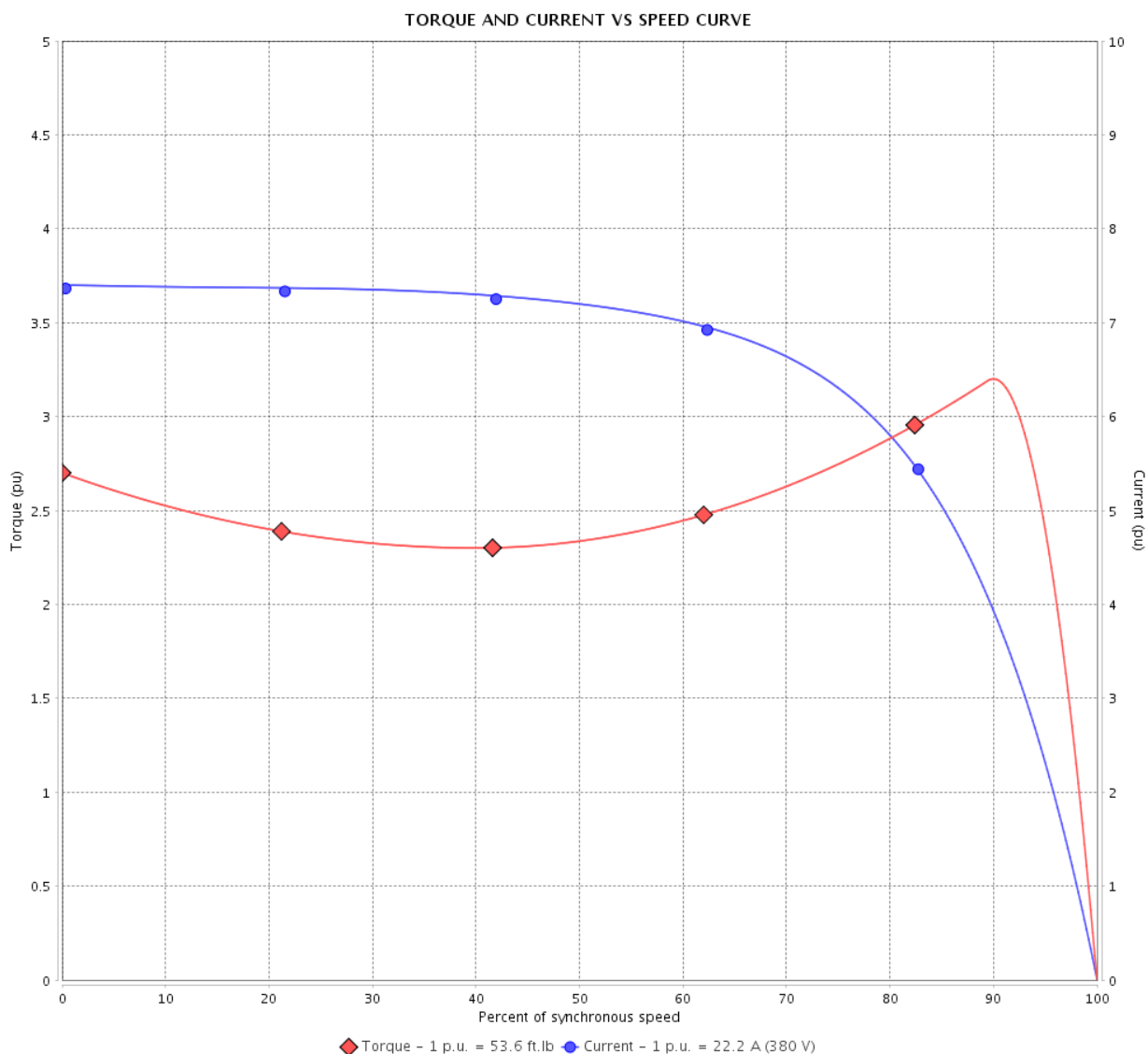
## Three Phase Induction Motor - Squirrel Cage

Customer :

Product line : NEMA Premium Efficiency Three-Phase

Product code : 12692798

Catalog # : 02018ET3E256T-S



Performance : 190/380 V 50 Hz 4P

Rated current : 44.4/22.2 A  
 LRC : 7.4  
 Rated torque : 53.6 ft.lb  
 Locked rotor torque : 270 %  
 Breakdown torque : 320 %  
 Rated speed : 1470 rpm

Moment of inertia (J) : 2.64 sq.ft.lb  
 Duty cycle : Cont.(S1)  
 Insulation class : F  
 Service factor : 1.15  
 Temperature rise : 80 K  
 Design : B

Locked rotor time : 0s (cold) 0s (hot)

Rev.	Changes Summary	Performed	Checked	Date
Performed by			Page 3 / 16	Revision
Checked by				
Date	14/04/2022			

# TORQUE AND CURRENT VS SPEED CURVE

## Three Phase Induction Motor - Squirrel Cage



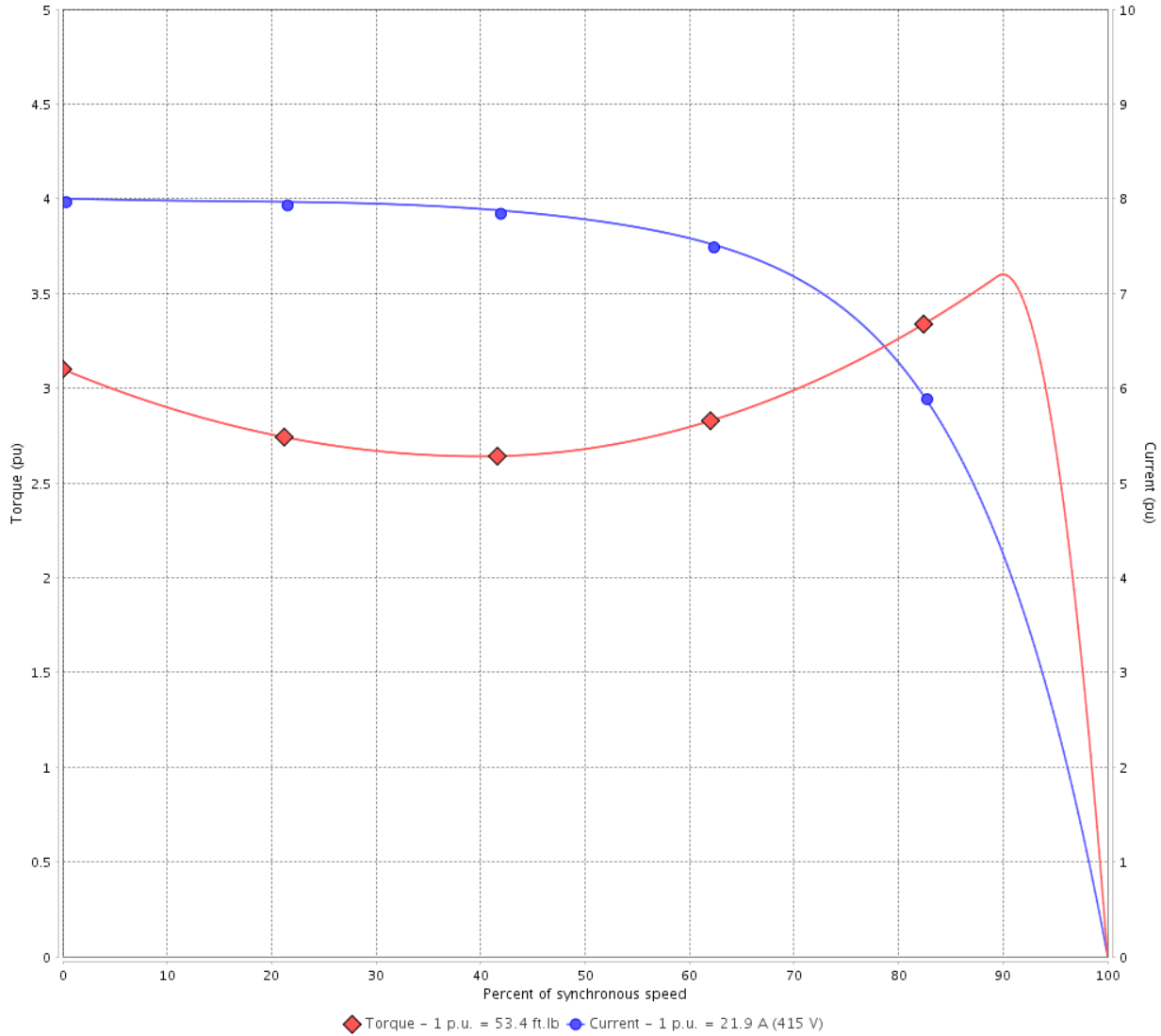
Customer :

Product line : NEMA Premium Efficiency Three-Phase

Product code : 12692798

Catalog # : 02018ET3E256T-S

TORQUE AND CURRENT VS SPEED CURVE



Performance : 220/415 V 50 Hz 4P

Rated current	: 41.3/21.9 A	Moment of inertia (J)	: 2.64 sq.ft.lb
LRC	: 8.0	Duty cycle	: Cont.(S1)
Rated torque	: 53.4 ft.lb	Insulation class	: F
Locked rotor torque	: 310 %	Service factor	: 1.15
Breakdown torque	: 360 %	Temperature rise	: 80 K
Rated speed	: 1475 rpm	Design	: B

Locked rotor time : 0s (cold) 0s (hot)

Rev.	Changes Summary	Performed	Checked	Date
Performed by			Page 4 / 16	Revision
Checked by				
Date	14/04/2022			

# LOAD PERFORMANCE CURVE

## Three Phase Induction Motor - Squirrel Cage

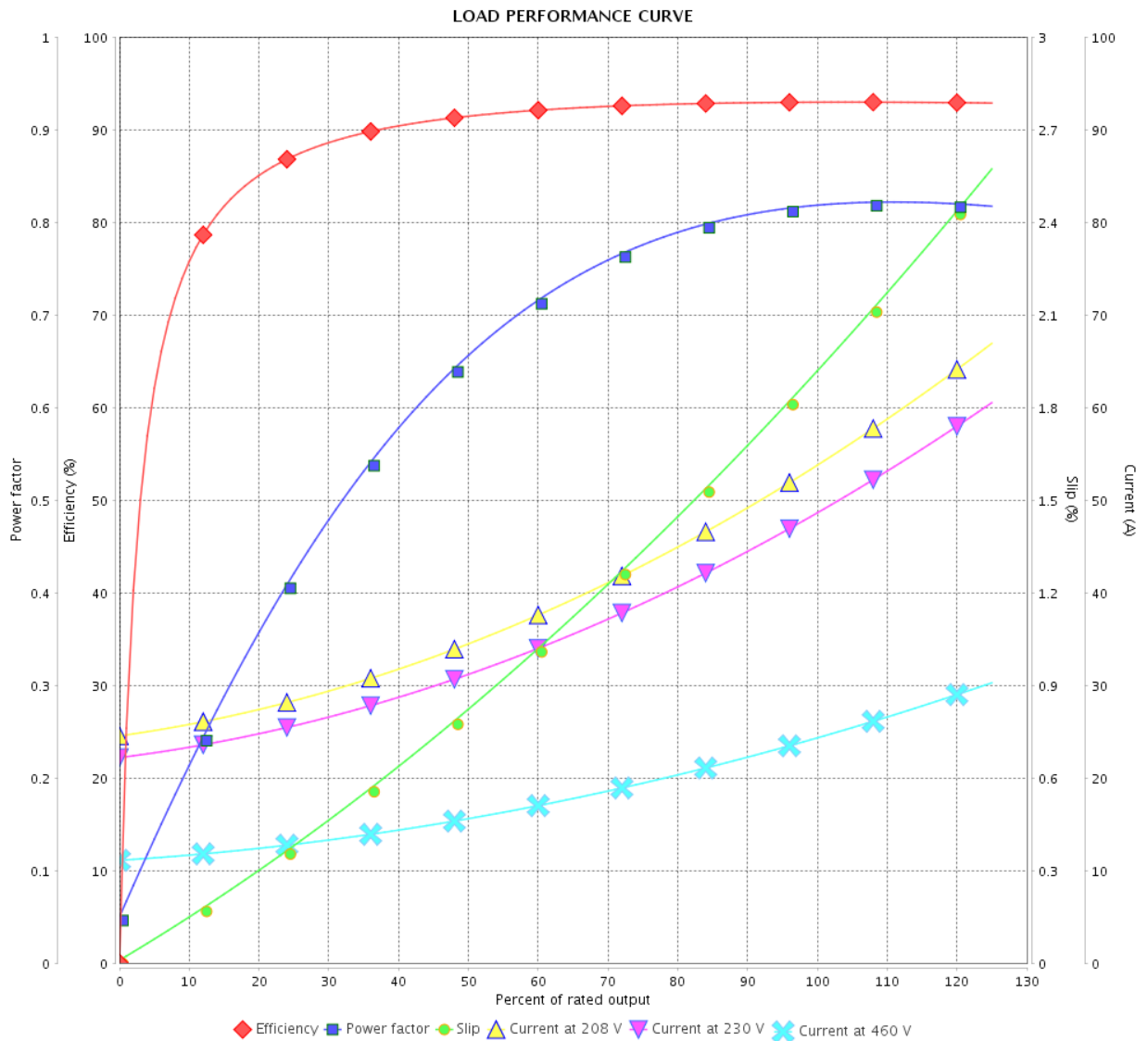


Customer :

Product line : NEMA Premium Efficiency Three-Phase

Product code : 12692798

Catalog # : 02018ET3E256T-S



Performance : 230/460 V 60 Hz 4P

Rated current : 49.4/24.7 A  
 LRC : 6.7  
 Rated torque : 59.5 ft.lb  
 Locked rotor torque : 270 %  
 Breakdown torque : 300 %  
 Rated speed : 1765 rpm

Moment of inertia (J) : 2.64 sq.ft.lb  
 Duty cycle : Cont.(S1)  
 Insulation class : F  
 Service factor : 1.15  
 Temperature rise : 80 K  
 Design : B

Rev.	Changes Summary	Performed	Checked	Date
Performed by		Page		Revision
Checked by		5 / 16		
Date		14/04/2022		

# LOAD PERFORMANCE CURVE

Three Phase Induction Motor - Squirrel Cage



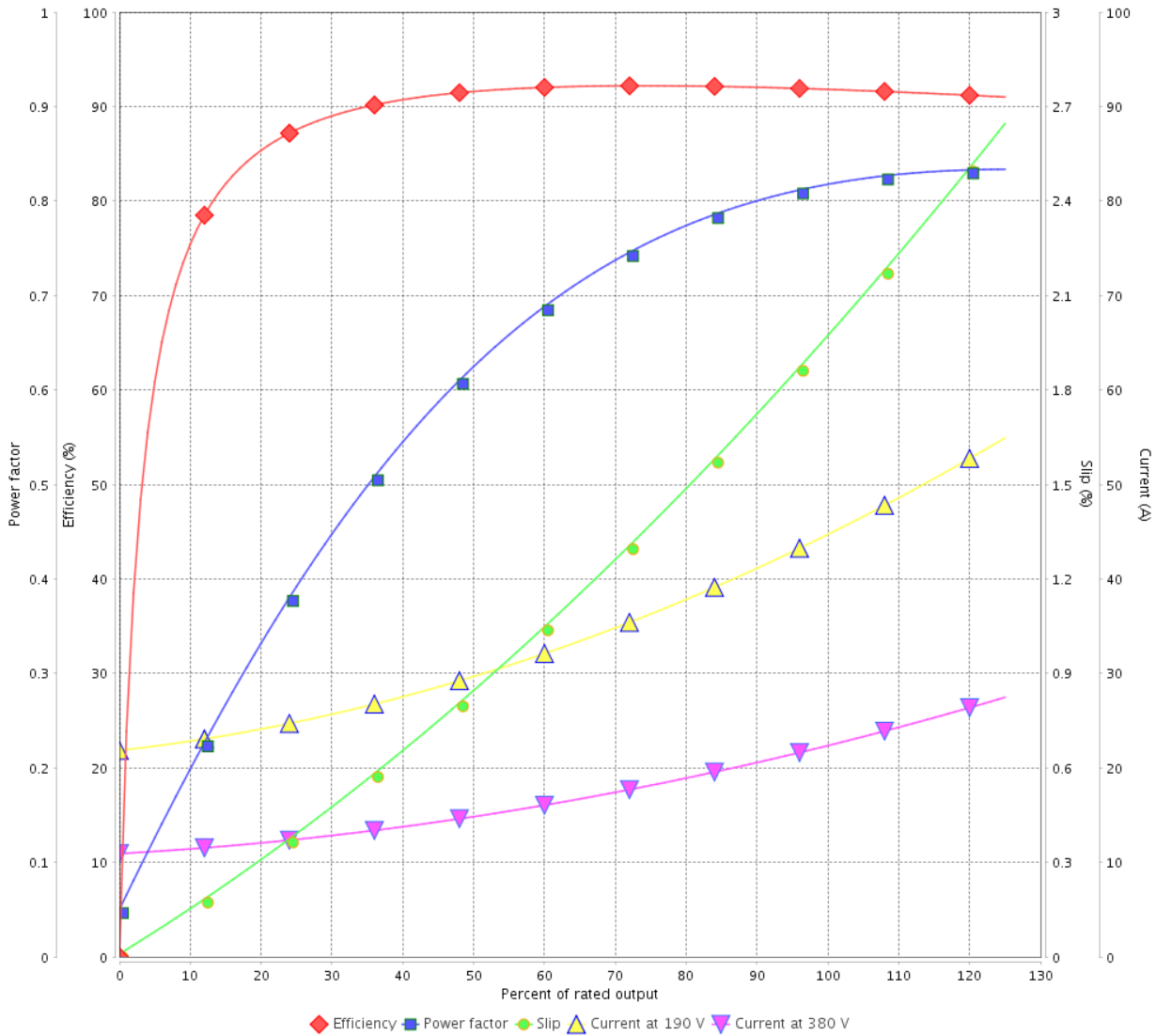
Customer :

Product line : NEMA Premium Efficiency Three-Phase

Product code : 12692798

Catalog # : 02018ET3E256T-S

LOAD PERFORMANCE CURVE



Performance : 190/380 V 50 Hz 4P

Rated current : 44.4/22.2 A  
 LRC : 7.4  
 Rated torque : 53.6 ft.lb  
 Locked rotor torque : 270 %  
 Breakdown torque : 320 %  
 Rated speed : 1470 rpm

Moment of inertia (J) : 2.64 sq.ft.lb  
 Duty cycle : Cont.(S1)  
 Insulation class : F  
 Service factor : 1.15  
 Temperature rise : 80 K  
 Design : B

Rev.	Changes Summary	Performed	Checked	Date
Performed by			Page	Revision
Checked by				
Date				

# LOAD PERFORMANCE CURVE

## Three Phase Induction Motor - Squirrel Cage

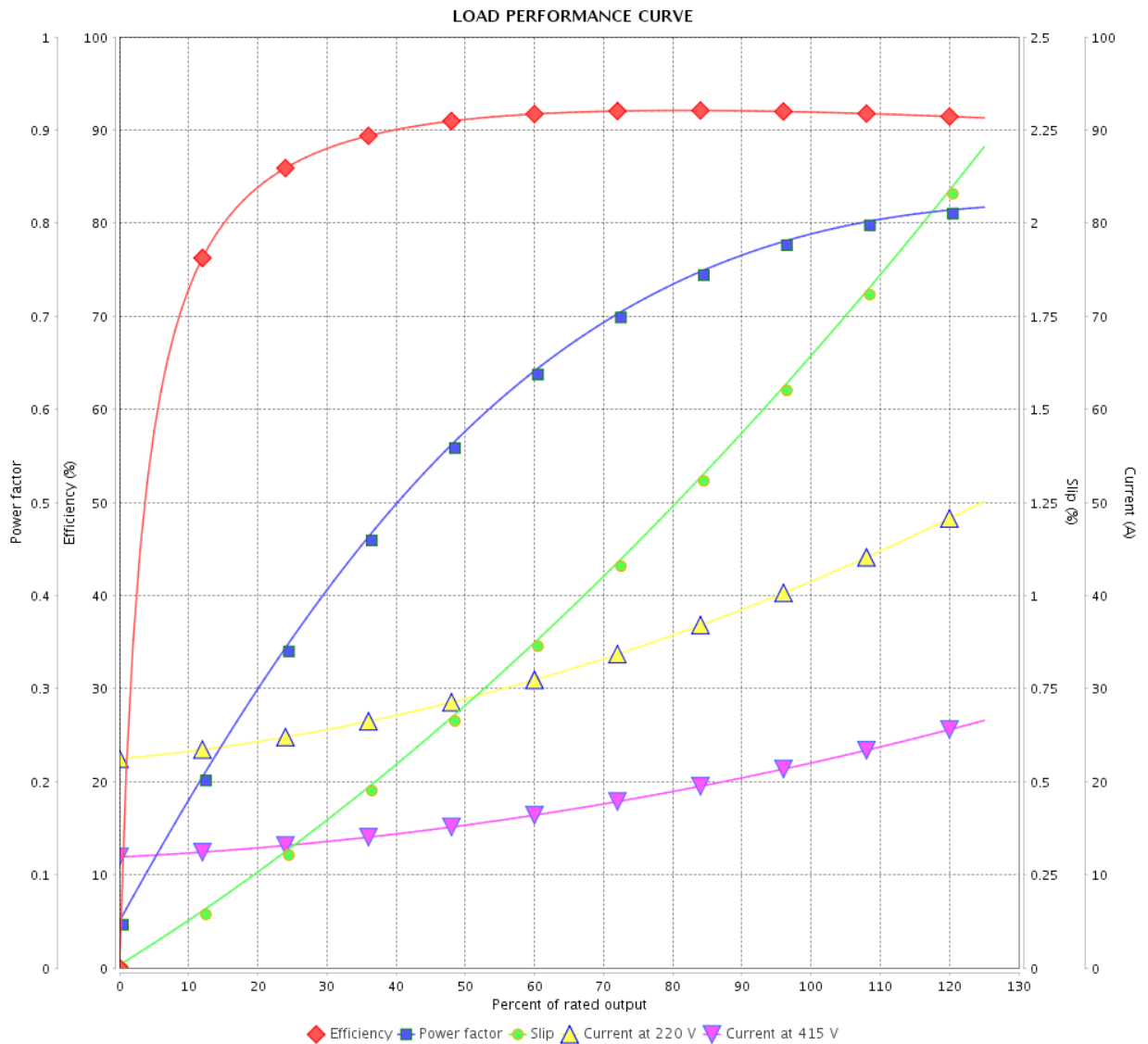


Customer :

Product line : NEMA Premium Efficiency Three-Phase

Product code : 12692798

Catalog # : 02018ET3E256T-S



Performance : 220/415 V 50 Hz 4P

Rated current : 41.3/21.9 A  
 LRC : 8.0  
 Rated torque : 53.4 ft.lb  
 Locked rotor torque : 310 %  
 Breakdown torque : 360 %  
 Rated speed : 1475 rpm

Moment of inertia (J) : 2.64 sq.ft.lb  
 Duty cycle : Cont.(S1)  
 Insulation class : F  
 Service factor : 1.15  
 Temperature rise : 80 K  
 Design : B

Rev.	Changes Summary	Performed	Checked	Date
Performed by			Page	Revision
Checked by				
Date				

# THERMAL LIMIT CURVE

## Three Phase Induction Motor - Squirrel Cage



Customer :

Product line : NEMA Premium Efficiency Three-Phase  
Product code : 12692798  
Catalog # : 02018ET3E256T-S

Performance : 230/460 V 60 Hz 4P

Rated current	: 49.4/24.7 A	Moment of inertia (J)	: 2.64 sq.ft.lb
LRC	: 6.7	Duty cycle	: Cont.(S1)
Rated torque	: 59.5 ft.lb	Insulation class	: F
Locked rotor torque	: 270 %	Service factor	: 1.15
Breakdown torque	: 300 %	Temperature rise	: 80 K
Rated speed	: 1765 rpm	Design	: B

Heating constant

Cooling constant

Rev.	Changes Summary	Performed	Checked	Date
Performed by				
Checked by			Page	Revision
Date	14/04/2022		8 / 16	

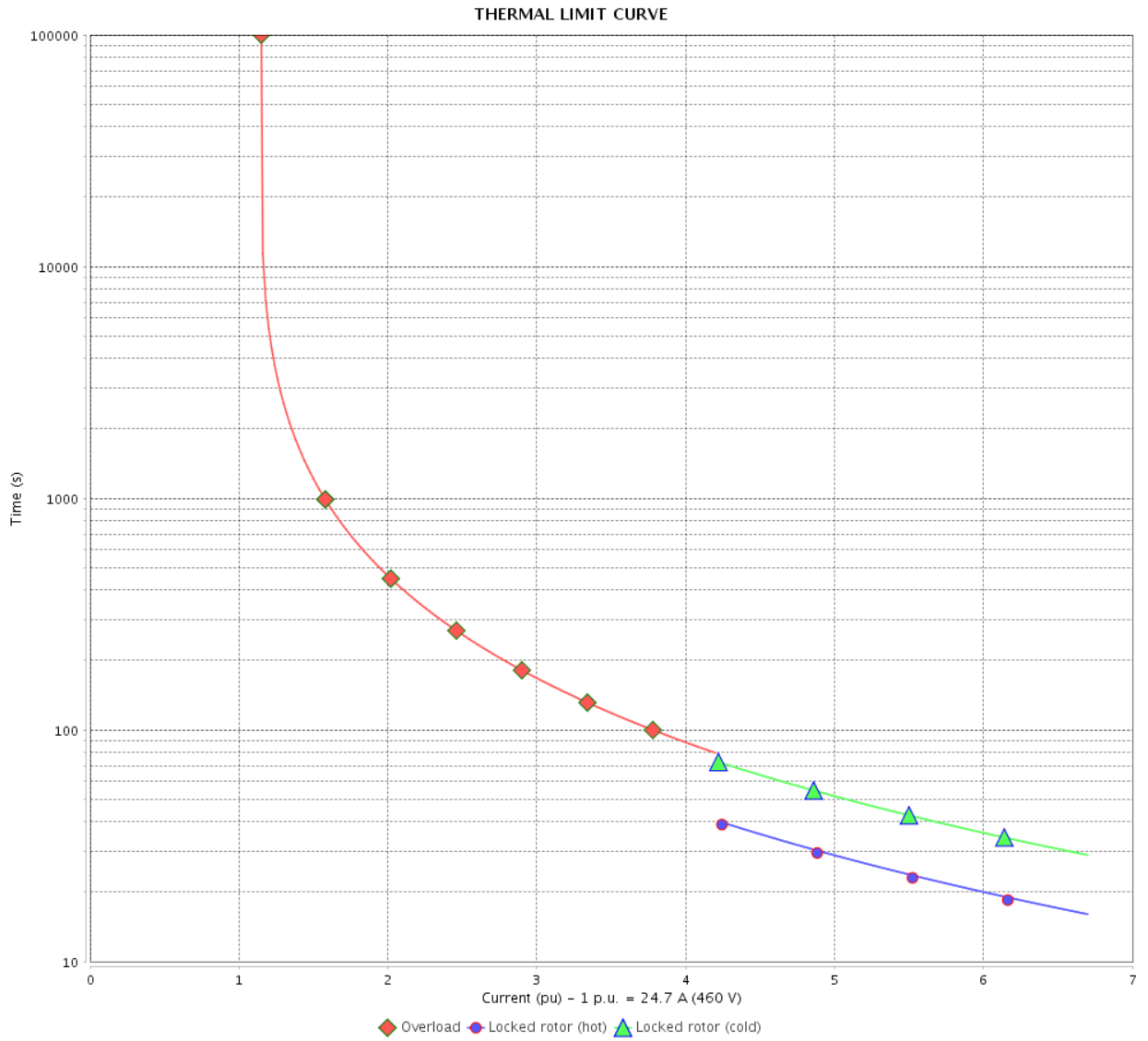


# THERMAL LIMIT CURVE

Three Phase Induction Motor - Squirrel Cage



Customer : \_\_\_\_\_



Rev.	Changes Summary	Performed	Checked	Date
Performed by		Page		Revision
Checked by				
Date				

# THERMAL LIMIT CURVE

## Three Phase Induction Motor - Squirrel Cage



Customer :

Product line : NEMA Premium Efficiency Three-Phase  
Product code : 12692798  
Catalog # : 02018ET3E256T-S

Performance : 190/380 V 50 Hz 4P

Rated current	: 44.4/22.2 A	Moment of inertia (J)	: 2.64 sq.ft.lb
LRC	: 7.4	Duty cycle	: Cont.(S1)
Rated torque	: 53.6 ft.lb	Insulation class	: F
Locked rotor torque	: 270 %	Service factor	: 1.15
Breakdown torque	: 320 %	Temperature rise	: 80 K
Rated speed	: 1470 rpm	Design	: B

Heating constant

Cooling constant

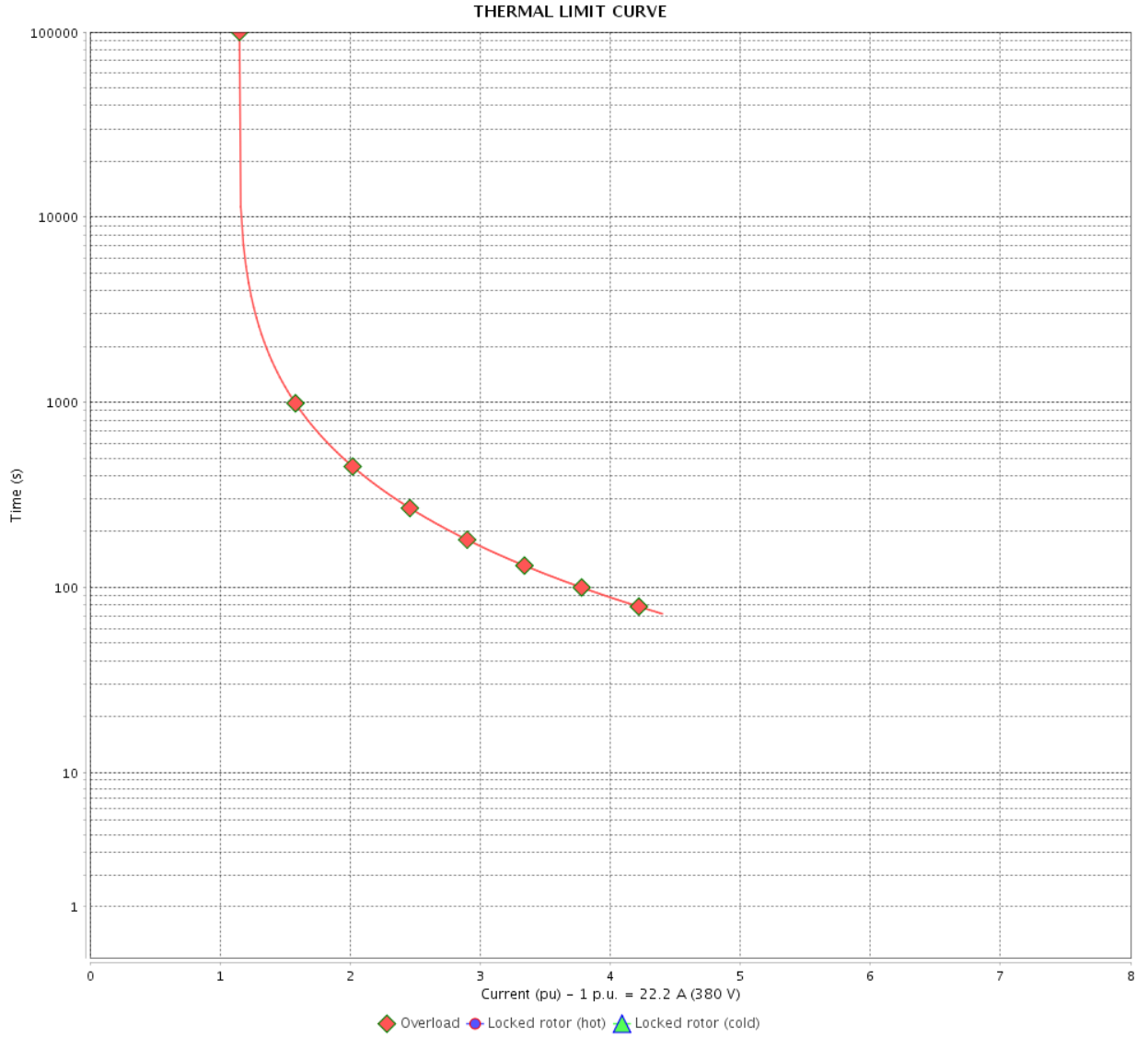
Rev.	Changes Summary	Performed	Checked	Date
Performed by				
Checked by			Page	Revision
Date	14/04/2022		10 / 16	

# THERMAL LIMIT CURVE

Three Phase Induction Motor - Squirrel Cage



Customer : \_\_\_\_\_



Rev.	Changes Summary	Performed	Checked	Date
Performed by		Page		Revision
Checked by		11 / 16		
Date		14/04/2022		

# THERMAL LIMIT CURVE



## Three Phase Induction Motor - Squirrel Cage

Customer :

Product line : NEMA Premium Efficiency Three-Phase  
Product code : 12692798  
Catalog # : 02018ET3E256T-S

Performance : 220/415 V 50 Hz 4P

Rated current	: 41.3/21.9 A	Moment of inertia (J)	: 2.64 sq.ft.lb
LRC	: 8.0	Duty cycle	: Cont.(S1)
Rated torque	: 53.4 ft.lb	Insulation class	: F
Locked rotor torque	: 310 %	Service factor	: 1.15
Breakdown torque	: 360 %	Temperature rise	: 80 K
Rated speed	: 1475 rpm	Design	: B

Heating constant

Cooling constant

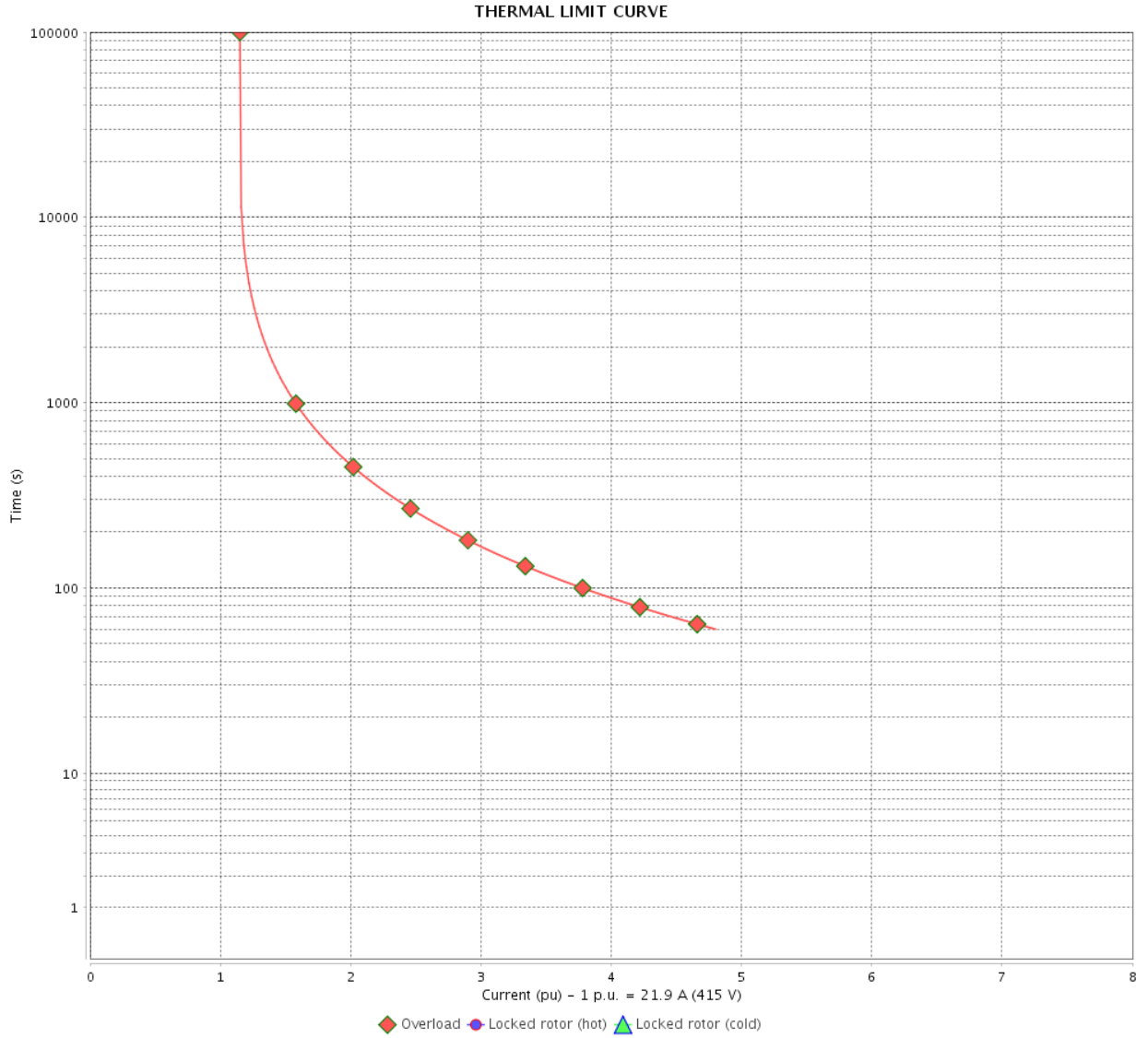
Rev.	Changes Summary	Performed	Checked	Date
Performed by				
Checked by			Page	Revision
Date	14/04/2022		12 / 16	

# THERMAL LIMIT CURVE

Three Phase Induction Motor - Squirrel Cage



Customer : \_\_\_\_\_



Rev.	Changes Summary	Performed	Checked	Date
Performed by		Page 13 / 16		Revision
Checked by				
Date				

# VFD OPERATION CURVE

Three Phase Induction Motor - Squirrel Cage



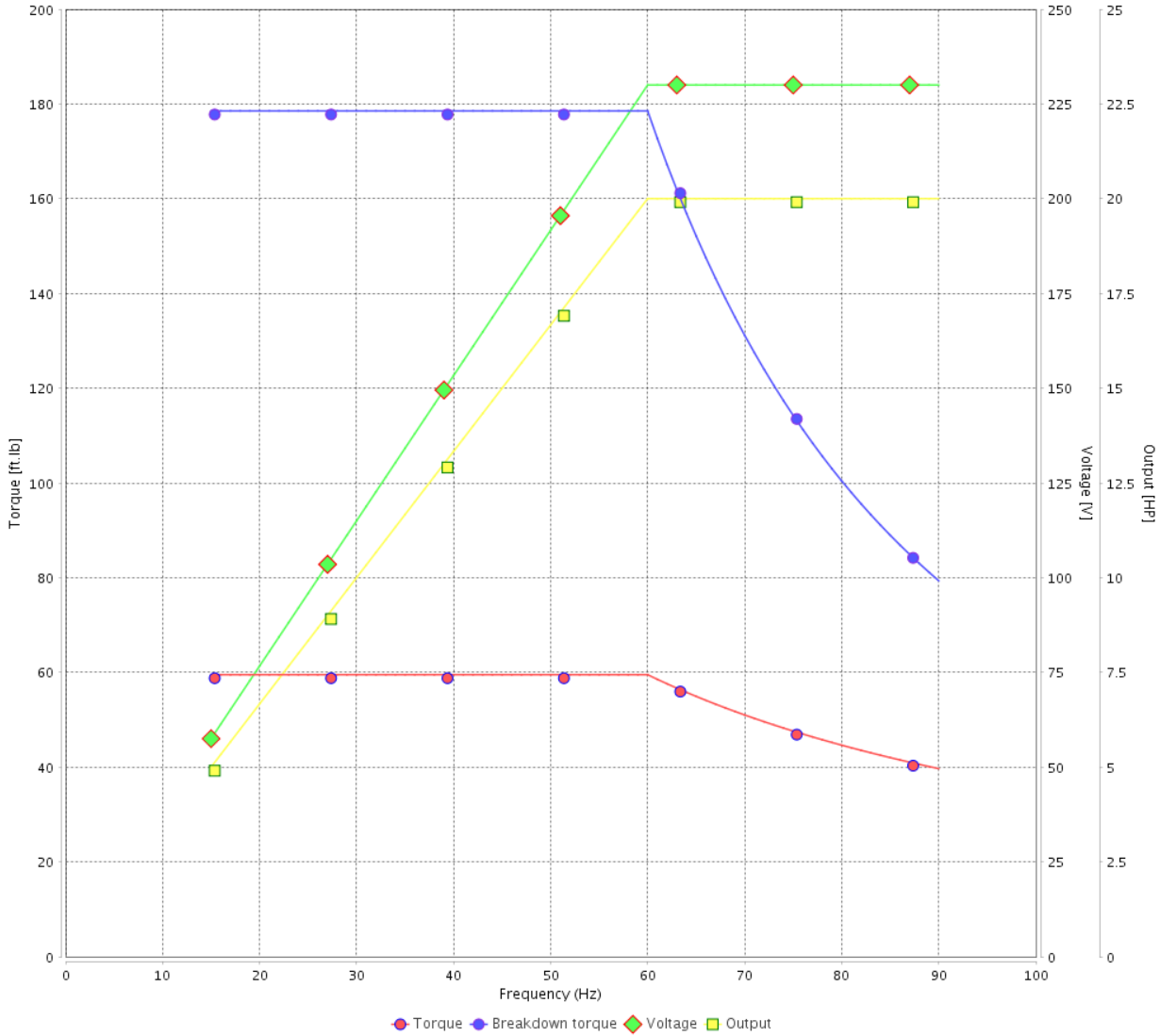
Customer :

Product line : NEMA Premium Efficiency Three-Phase

Product code : 12692798

Catalog # : 02018ET3E256T-S

VFD OPERATION CURVE



Performance : 230/460 V 60 Hz 4P

Rated current : 49.4/24.7 A  
 LRC : 6.7  
 Rated torque : 59.5 ft.lb  
 Locked rotor torque : 270 %  
 Breakdown torque : 300 %  
 Rated speed : 1765 rpm

Moment of inertia (J) : 2.64 sq.ft.lb  
 Duty cycle : Cont.(S1)  
 Insulation class : F  
 Service factor : 1.15  
 Temperature rise : 80 K  
 Design : B

Rev.	Changes Summary	Performed	Checked	Date
Performed by			Page	Revision
Checked by				
Date				

# VFD OPERATION CURVE

## Three Phase Induction Motor - Squirrel Cage

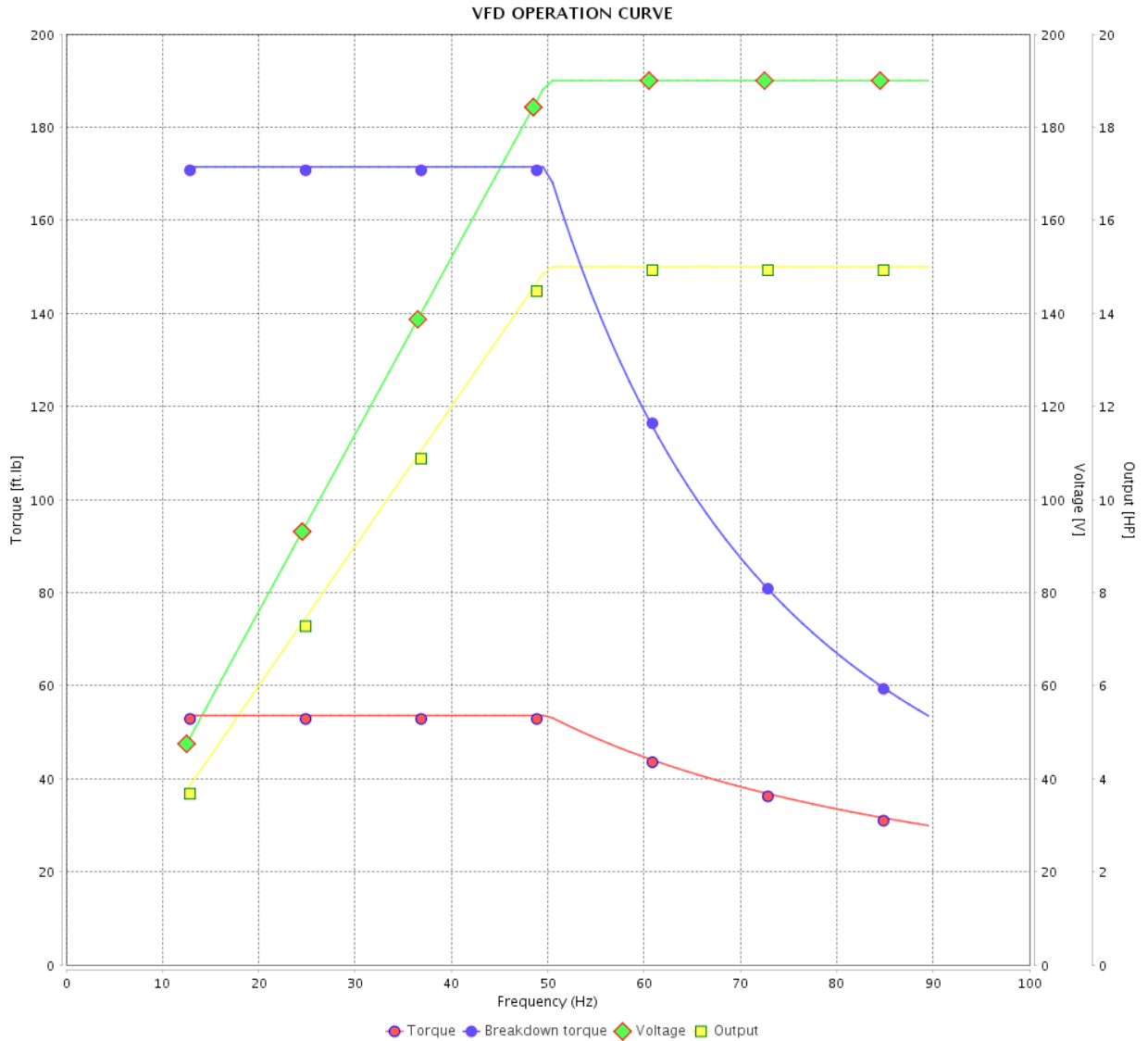


Customer :

Product line : NEMA Premium Efficiency Three-Phase

Product code : 12692798

Catalog # : 02018ET3E256T-S



Performance : 190/380 V 50 Hz 4P

Rated current : 44.4/22.2 A  
 LRC : 7.4  
 Rated torque : 53.6 ft.lb  
 Locked rotor torque : 270 %  
 Breakdown torque : 320 %  
 Rated speed : 1470 rpm

Moment of inertia (J) : 2.64 sq.ft.lb  
 Duty cycle : Cont.(S1)  
 Insulation class : F  
 Service factor : 1.15  
 Temperature rise : 80 K  
 Design : B

Rev.	Changes Summary	Performed	Checked	Date
Performed by		Page		Revision
Checked by		15 / 16		
Date		14/04/2022		

# VFD OPERATION CURVE

Three Phase Induction Motor - Squirrel Cage

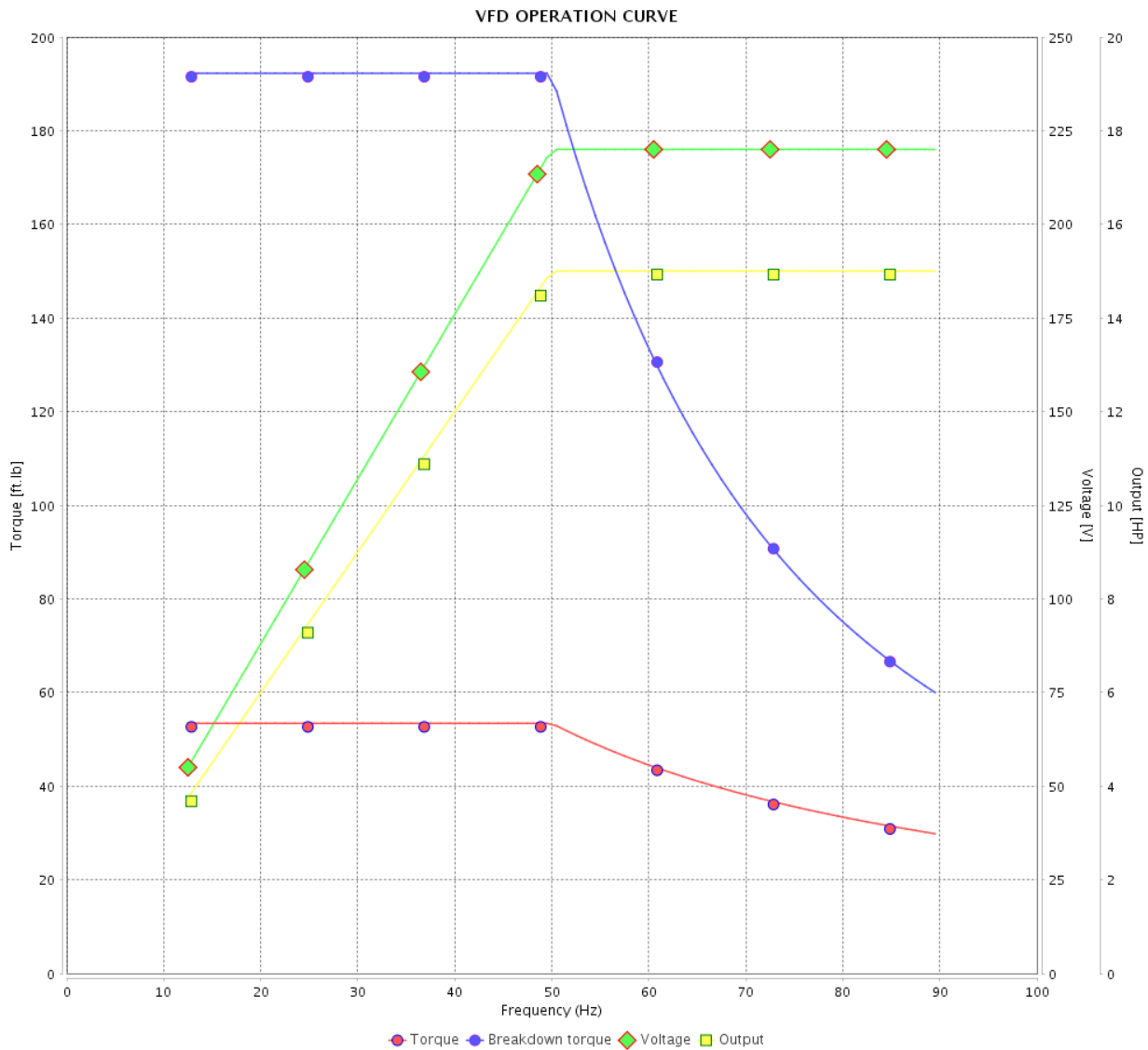


Customer :

Product line : NEMA Premium Efficiency Three-Phase

Product code : 12692798

Catalog # : 02018ET3E256T-S



Performance : 220/415 V 50 Hz 4P

Rated current : 41.3/21.9 A  
 LRC : 8.0  
 Rated torque : 53.4 ft.lb  
 Locked rotor torque : 310 %  
 Breakdown torque : 360 %  
 Rated speed : 1475 rpm

Moment of inertia (J) : 2.64 sq.ft.lb  
 Duty cycle : Cont.(S1)  
 Insulation class : F  
 Service factor : 1.15  
 Temperature rise : 80 K  
 Design : B

Rev.	Changes Summary	Performed	Checked	Date
Performed by			Page 16 / 16	Revision
Checked by				
Date	14/04/2022			



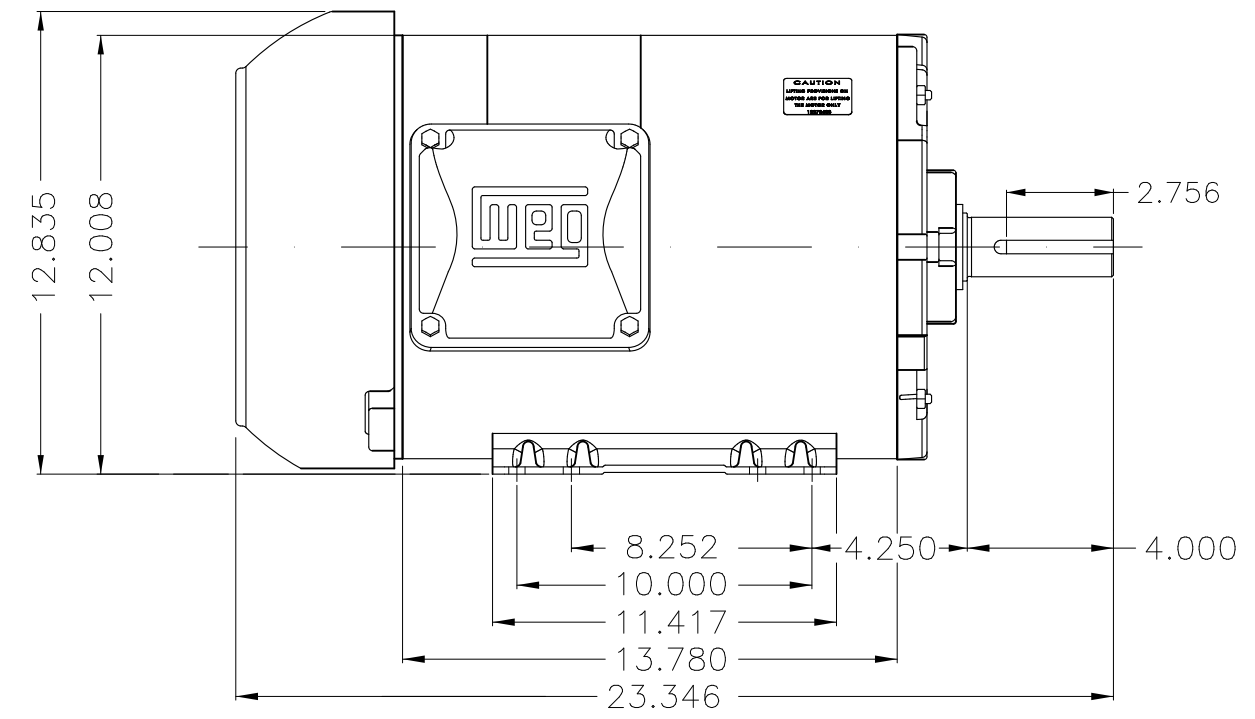
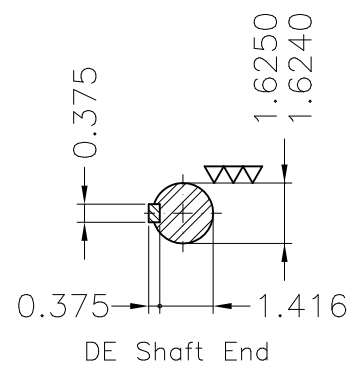
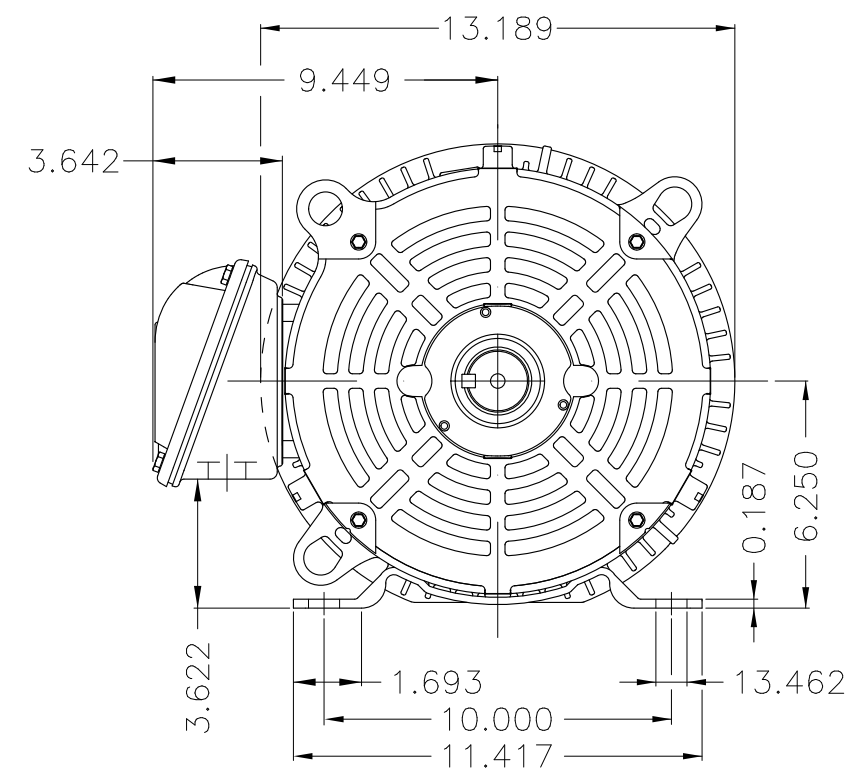
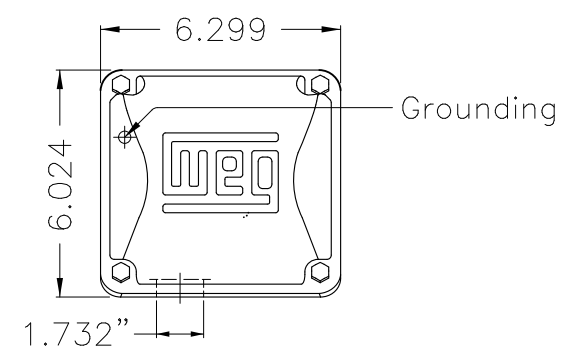
A

B

C

D

E



Color Munsell N 1 matte black  
 Painting plan 207N  
 Mounting F-1/B3R(D)

ECM	LOC	SUMMARY OF MODIFICATIONS	EXECUTED	CHECKED	RELEASED	DATE	VER
EXECUTED	PIRWBUSER	THREE PH. MOTOR ROLLED STEEL PREM. EFF. FRAME 254/6T IP55 TEFC					
CHECKED							
RELEASED							
REL DT.	WMO	Jaragua do Sul	Product Engineering	SHEET 1 / 1			

20 HP 04 Poles 60 Hz

A

PREVIEW  
WDD



**NEMA  
Premium**

MADE IN MEXICO

**MAT: 12692798 CC029A**  
**W01.TE0IC0X0N**  
**MODEL 02018ET3E256T-S**  
**18MAR2022 S/N:**

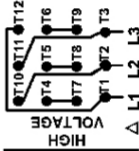
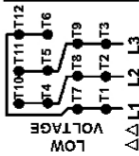
**For 60Hz: Class I, Zone 2, IIC**  
**Class I, Div.2, Gr. A,B,C,D - T3**  
**Div 2 Inverter Duty (SF1.00)**  
**CT 2:1/VT 1000:1**

PH 3	Hz 60	HP 20
FR 254/6T		KW 15
DUTY CONT.		V 230/460
ALT 1000 m.a.s.l.		A 49.4/24.7
INS CL F AT 80K	IP55	SFA 56.8/28.4
AMB 40°C	DES B	SF 1.15
ENCL TEFC	CODE H	PF 0.82
USABLE @ 208V 54.8A		RPM 1765
SF1.00		NEMA NOM. EFF 93.0%

**ALTERNATE RATING: 15HP 50Hz 190-220/380-415V SF1.15**  
**44.4-40.7/22.2-21.6A 1470RPM EFF 91.8% (IE3) IEC 60034-1**

For safe area-inverter duty motor For 60Hz use on VPWM 1000:1 VT, 4:1 CT

DE 6309-Z-C3 ODE 6208-Z-C3 MOBIL POLYREX EM 20000h



T1-BLU T2-WHT  
 T3-ORG T4-YEL  
 T5-BLK T6-GRY  
 T7-PNK T8-RED  
 T9-BRK RED  
 T10-CURRY  
 T11-GRN T12-VLT

INTERCHANGE ANY TWO LINE WIRES TO REVERSE THE ROTATION



**WARNING:** Motor must be grounded in accordance with local and national electrical codes to prevent serious electrical shocks. Disconnect power source before servicing unit.

**AVERTISSEMENT:** Le moteur doit être mis à la terre conformément aux codes électriques locaux et nationaux afin d'éviter tout choc électrique grave. Déconnectez l'alimentation avant l'entretien de la machine.

