

TORQUE AND CURRENT VS SPEED CURVE

Three Phase Induction Motor - Squirrel Cage



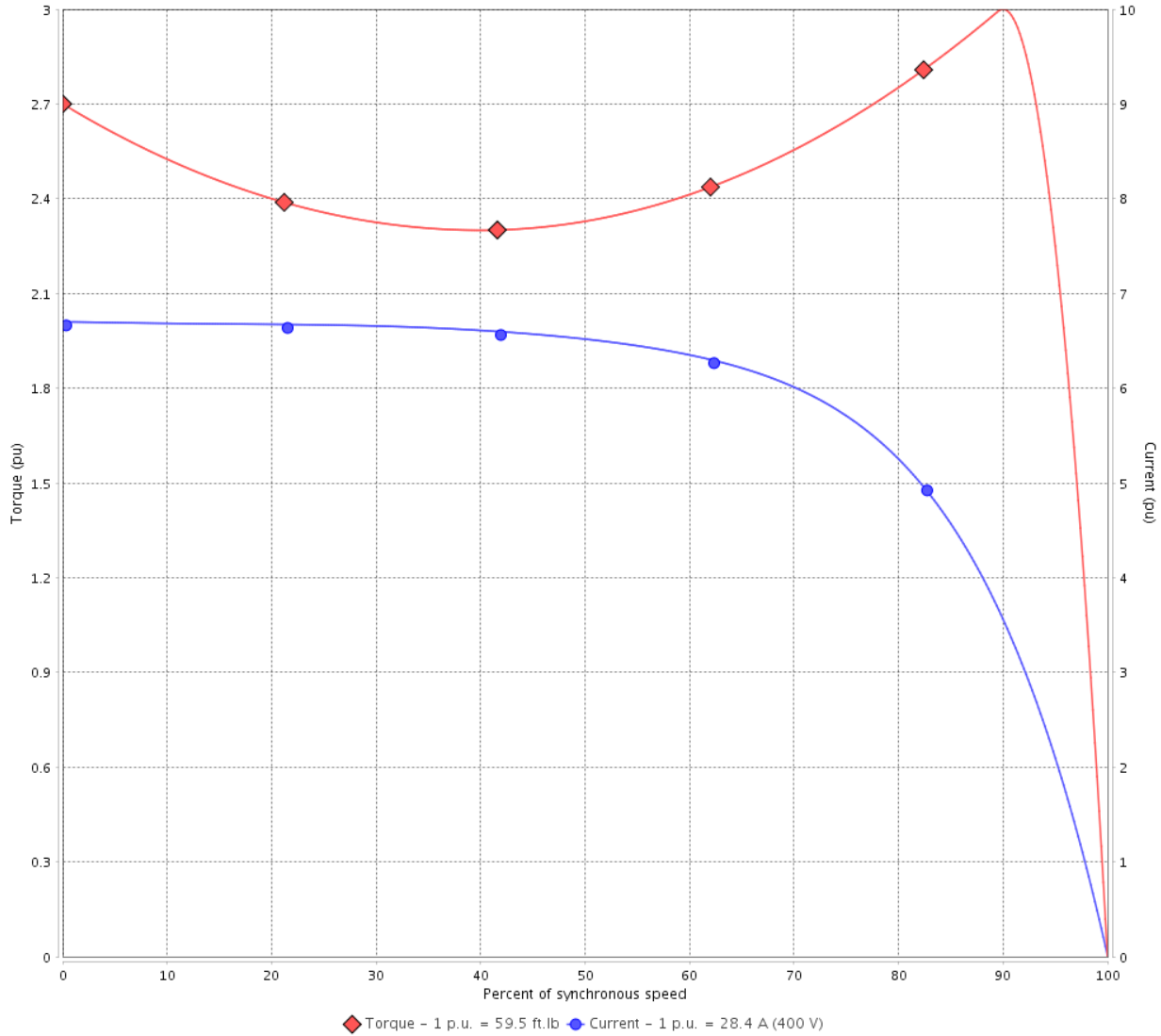
Customer :

Product line : JM Pump NEMA Premium
Efficiency Three-Phase

Product code : 13413896

Catalog # : 02018ET3V256JM-S

TORQUE AND CURRENT VS SPEED CURVE



Performance : 200/400 V 60 Hz 4P

| | | | |
|---------------------|---------------|-----------------------|-----------------|
| Rated current | : 56.8/28.4 A | Moment of inertia (J) | : 2.64 sq.ft.lb |
| LRC | : 6.7 | Duty cycle | : Cont.(S1) |
| Rated torque | : 59.5 ft.lb | Insulation class | : F |
| Locked rotor torque | : 270 % | Service factor | : 1.15 |
| Breakdown torque | : 300 % | Temperature rise | : 80 K |
| Rated speed | : 1765 rpm | Design | : B |

Locked rotor time : 28s (cold) 16s (hot)

| Rev. | Changes Summary | Performed | Checked | Date |
|--------------|-----------------|-----------|---------------|----------|
| | | | | |
| Performed by | | | Page 2 / 6 | Revision |
| Checked by | | | | |
| Date | 14/04/2022 | | | |

LOAD PERFORMANCE CURVE

Three Phase Induction Motor - Squirrel Cage

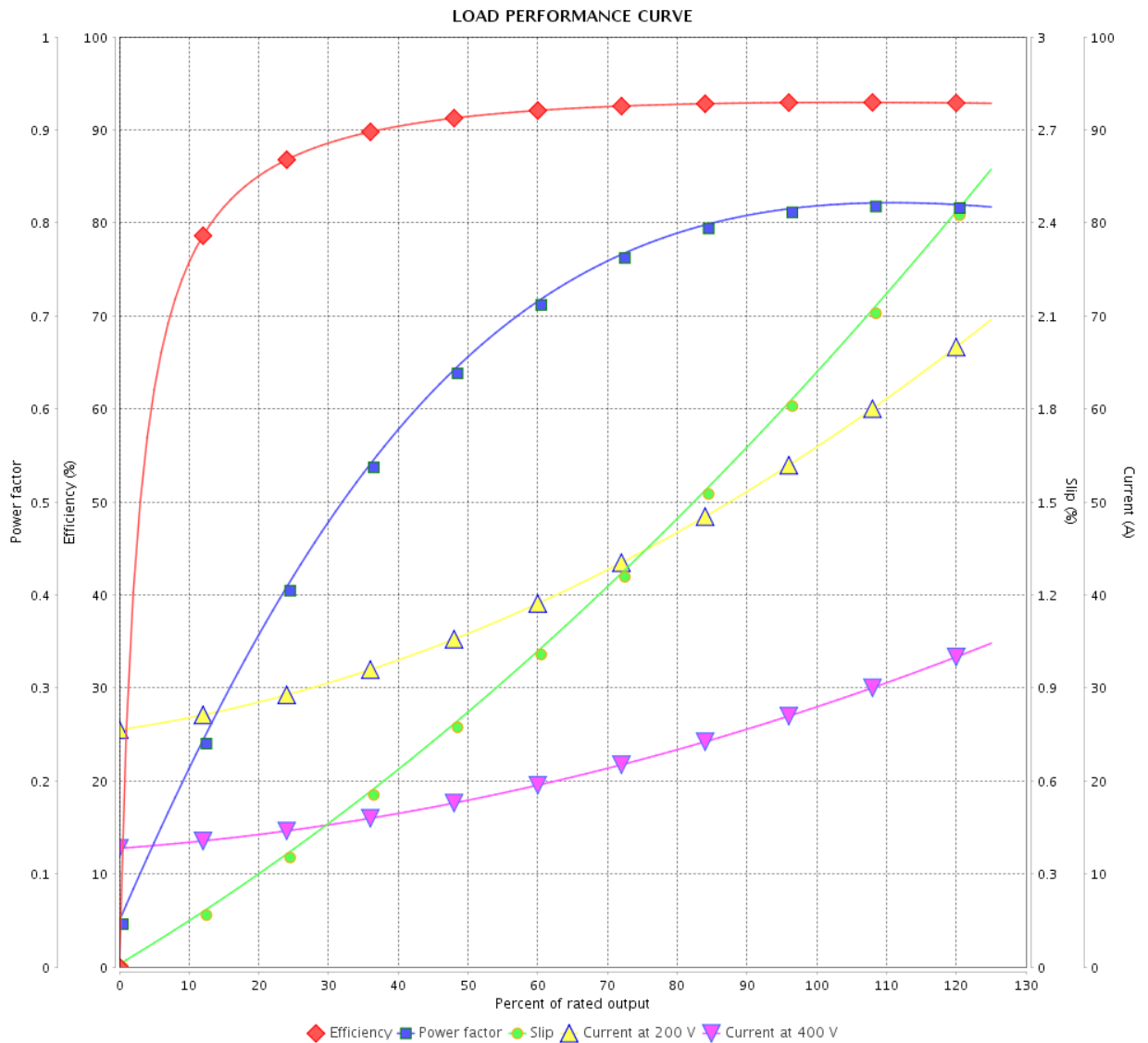


Customer : _____

Product line : JM Pump NEMA Premium
Efficiency Three-Phase

Product code : 13413896

Catalog # : 02018ET3V256JM-S



Performance : 200/400 V 60 Hz 4P

Rated current : 56.8/28.4 A
 LRC : 6.7
 Rated torque : 59.5 ft.lb
 Locked rotor torque : 270 %
 Breakdown torque : 300 %
 Rated speed : 1765 rpm

Moment of inertia (J) : 2.64 sq.ft.lb
 Duty cycle : Cont.(S1)
 Insulation class : F
 Service factor : 1.15
 Temperature rise : 80 K
 Design : B

| Rev. | Changes Summary | Performed | Checked | Date |
|--------------|-----------------|------------|---------|----------|
| | | | | |
| Performed by | | Page | | Revision |
| Checked by | | 3 / 6 | | |
| Date | | 14/04/2022 | | |

THERMAL LIMIT CURVE



Three Phase Induction Motor - Squirrel Cage

Customer :

Product line : JM Pump NEMA Premium
Efficiency Three-Phase

Product code : 13413896

Catalog # : 02018ET3V256JM-S

Performance : 200/400 V 60 Hz 4P

Rated current : 56.8/28.4 A
LRC : 6.7
Rated torque : 59.5 ft.lb
Locked rotor torque : 270 %
Breakdown torque : 300 %
Rated speed : 1765 rpm

Moment of inertia (J) : 2.64 sq.ft.lb
Duty cycle : Cont.(S1)
Insulation class : F
Service factor : 1.15
Temperature rise : 80 K
Design : B

Heating constant

Cooling constant

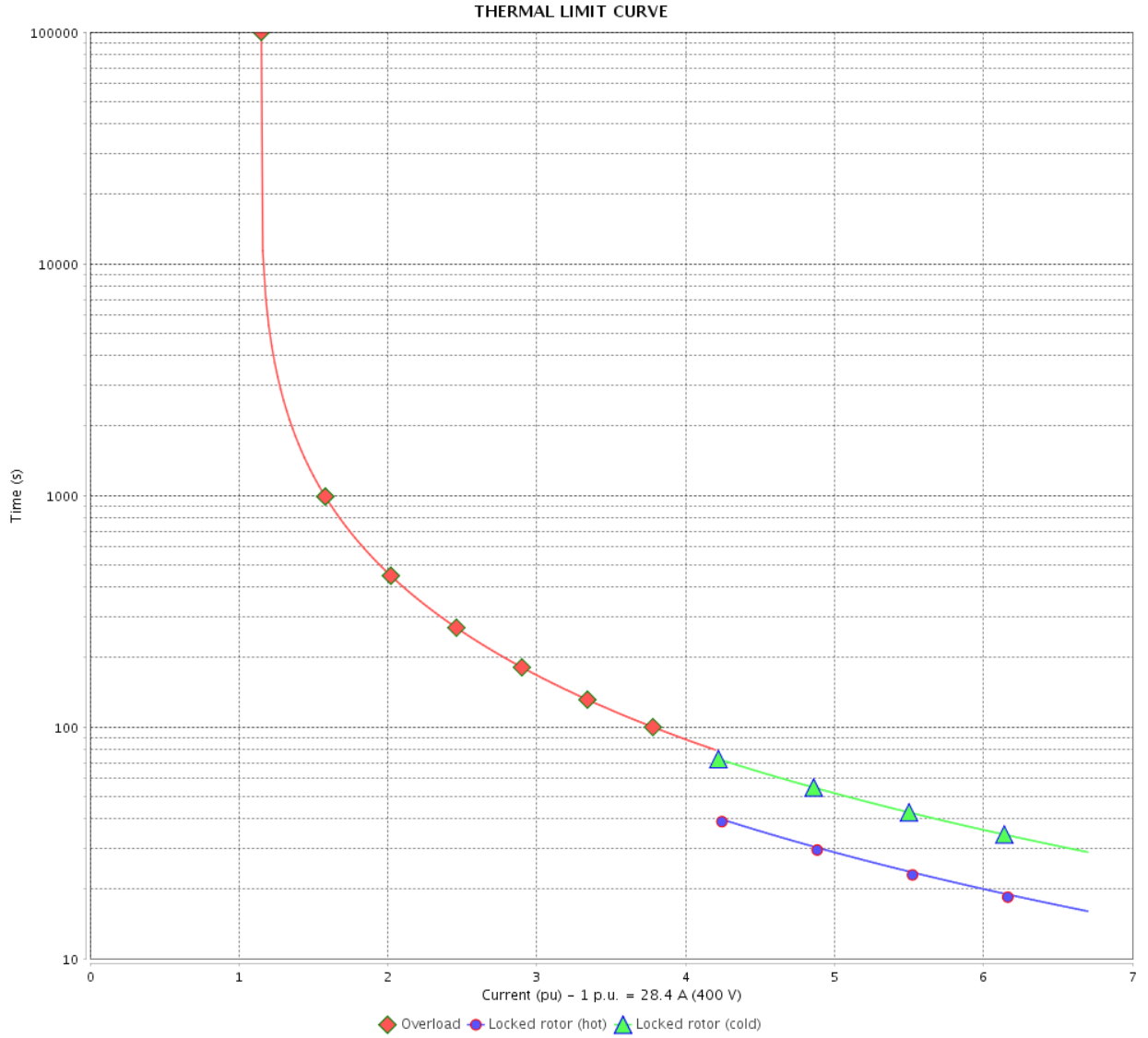
| Rev. | Changes Summary | Performed | Checked | Date |
|--------------|-----------------|-----------|---------|----------|
| | | | | |
| Performed by | | | | |
| Checked by | | | Page | Revision |
| Date | 14/04/2022 | | 4 / 6 | |

THERMAL LIMIT CURVE

Three Phase Induction Motor - Squirrel Cage



Customer : _____



| Rev. | Changes Summary | Performed | Checked | Date |
|--------------|-----------------|---------------|---------|----------|
| | | | | |
| Performed by | | Page 5 / 6 | | Revision |
| Checked by | | | | |
| Date | | | | |

VFD OPERATION CURVE

Three Phase Induction Motor - Squirrel Cage

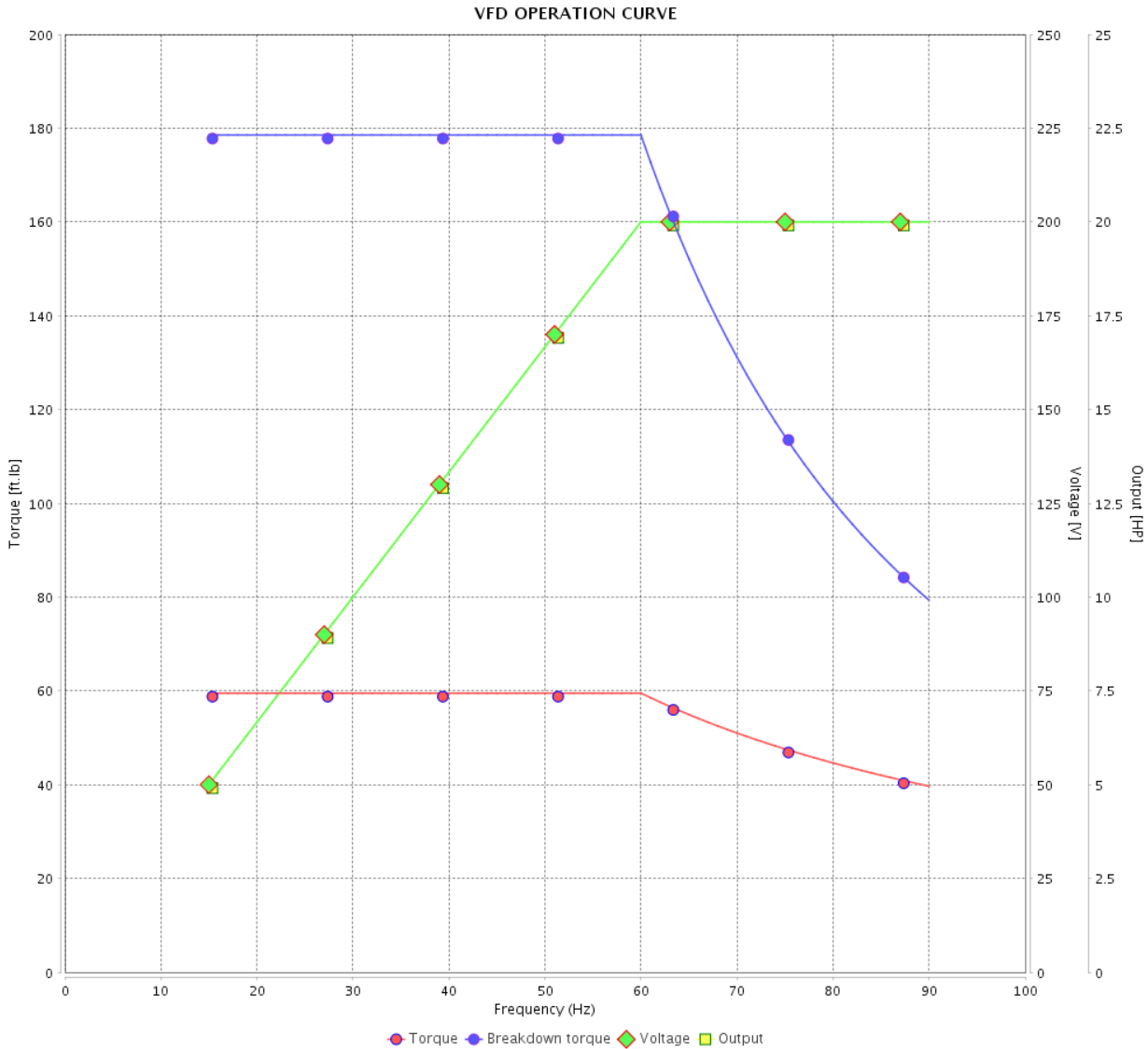


Customer :

Product line : JM Pump NEMA Premium Efficiency Three-Phase

Product code : 13413896

Catalog # : 02018ET3V256JM-S



Performance : 200/400 V 60 Hz 4P

Rated current : 56.8/28.4 A
 LRC : 6.7
 Rated torque : 59.5 ft.lb
 Locked rotor torque : 270 %
 Breakdown torque : 300 %
 Rated speed : 1765 rpm

Moment of inertia (J) : 2.64 sq.ft.lb
 Duty cycle : Cont.(S1)
 Insulation class : F
 Service factor : 1.15
 Temperature rise : 80 K
 Design : B

| Rev. | Changes Summary | Performed | Checked | Date |
|--------------|-----------------|-----------|---------------|----------|
| | | | | |
| Performed by | | | Page 6 / 6 | Revision |
| Checked by | | | | |
| Date | 14/04/2022 | | | |

1 2 3 4 5 6

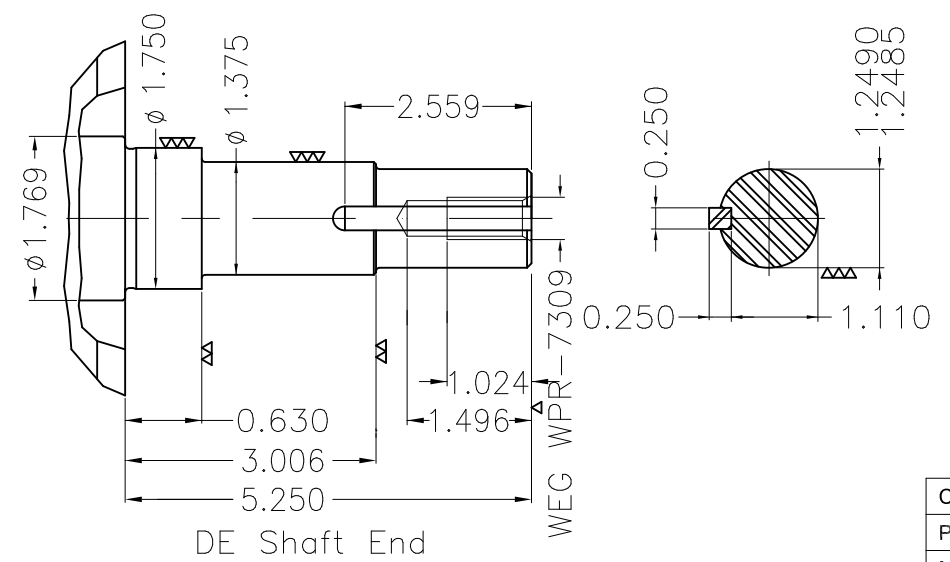
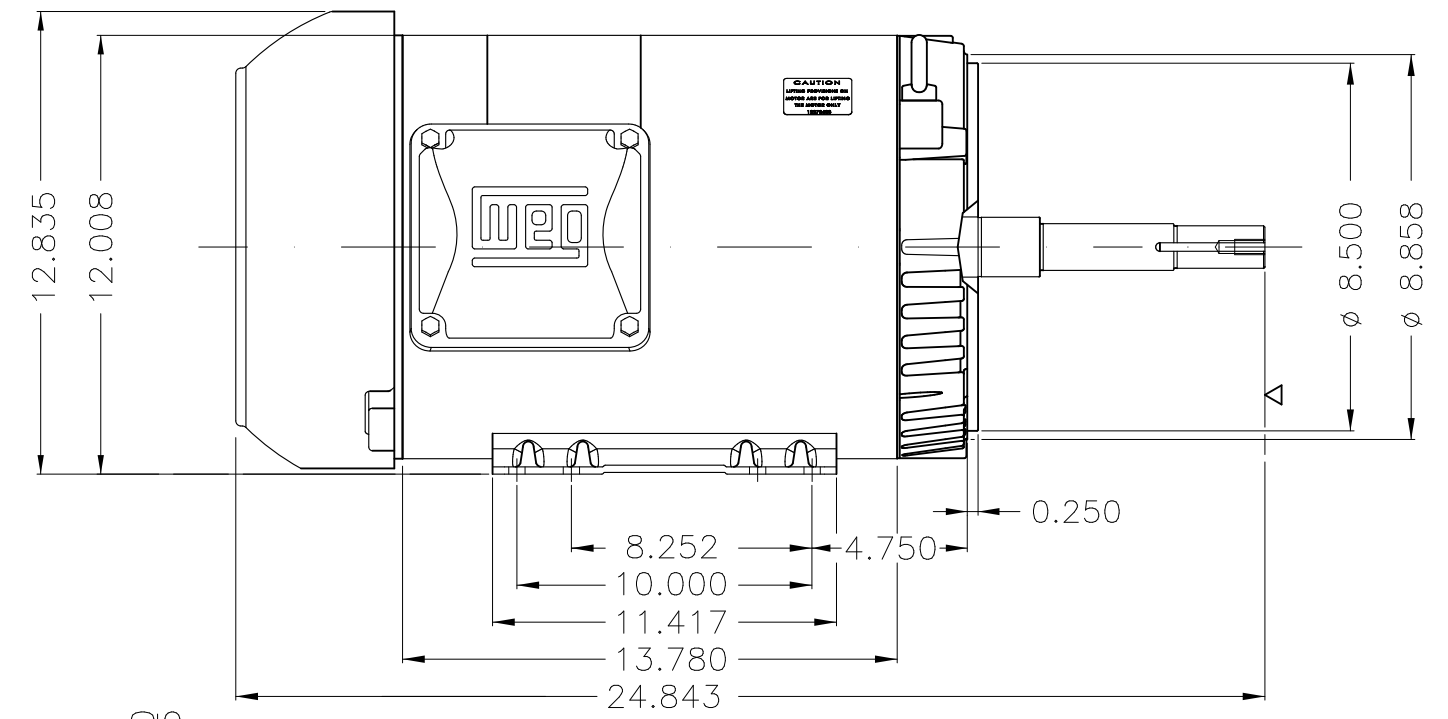
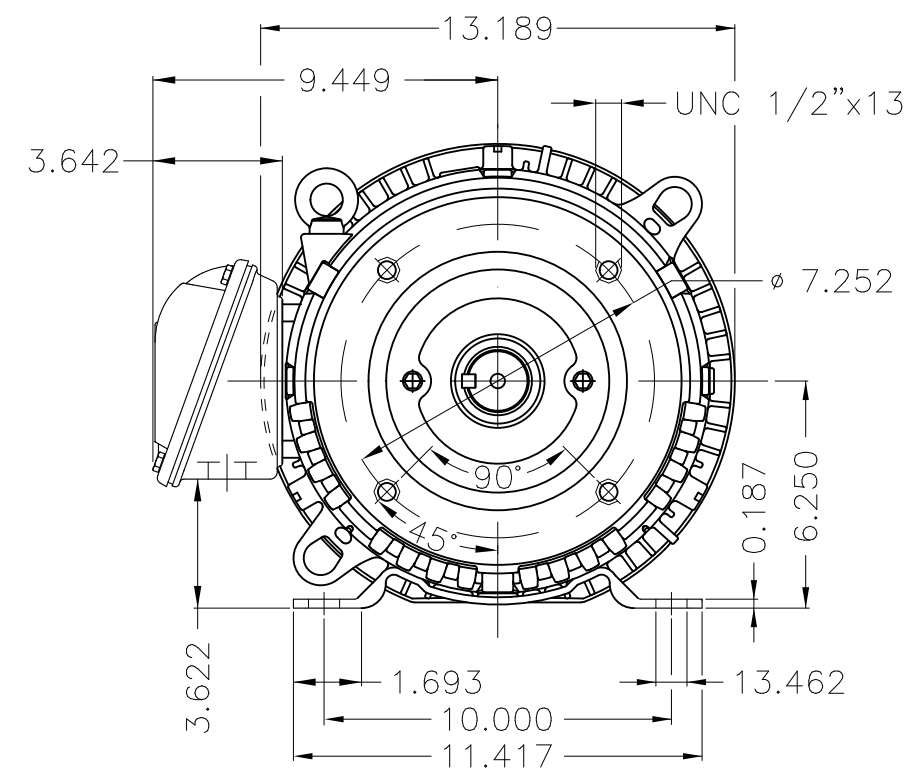
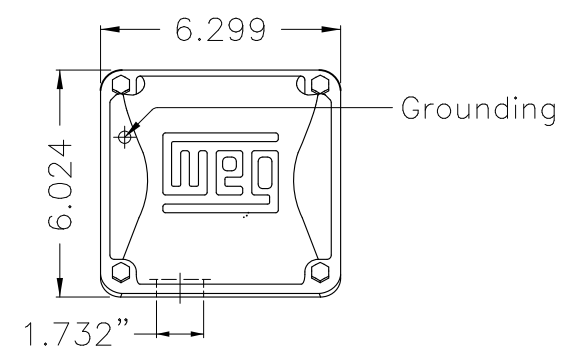
A

B

C

D

E



EUNC 1/2"-13 WEG WPR-7309

DE Shaft End

Color Munsell N 1 matte black
 Painting plan 207N
 Mounting F-1/B34R(D)

| ECM | LOC | SUMMARY OF MODIFICATIONS | EXECUTED | CHECKED | RELEASED | DATE | VER |
|----------|-----------|---|---------------------|---------|----------|-------|-----|
| EXECUTED | PIRWBUSER | THREE PH. MOTOR ROLLED STEEL CLOSE COUPLED PUMP JM TYPE PSE 500 | | | | | |
| CHECKED | | FRAME 254/6JM IP55 TEFC | | | | | |
| RELEASED | | | | | | | |
| REL DT. | WMO | Jaragua do Sul | Product Engineering | WDD | SHEET | 1 / 1 | |

20 HP 04 Poles 60 Hz

PREVIEW





NEMA
Premium

®



3PT9
US LISTED
FOR SAFE AREA



Energy Verified

MADE IN MEXICO

MAT: 13413896 CC029A

W01.TE0IC0X0N

MODEL 02018ET3V256JM-S

16JUL2021 S/N:

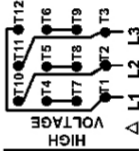
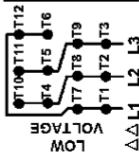
For 60Hz: Class I, Zone 2, IIC
Class I, Div.2, Gr. A,B,C,D - T3

DIV 2 Inverter Duty (SF1.00)
CT 2:1/VT 1000:1

| | | |
|-------------------|--------|----------------|
| PH 3 | Hz 60 | HP 20 |
| FR 254/6JM | | KW 15 |
| DUTY CONT. | | V 200/400 |
| ALT 1000 m.a.s.l. | | A 56.8/28.4 |
| INS CL F AT 80K | IP55 | SFA 65.3/32.7 |
| AMB 40°C | DES B | SF 1.15 |
| ENCL TEFC | CODE H | PF 0.82 |
| | | RPM 1765 |
| | | NEMA |
| | | NOM. EFF 93.0% |

For safe area-inverter duty motor For use on VPWM 1000:1 VT, 4:1 CT

| | | | |
|--------------|---------------|------------------|--------|
| DE 6309-Z-C3 | ODE 6208-Z-C3 | MOBIL POLYREX EM | 20000h |
|--------------|---------------|------------------|--------|



T1-BLU T2-WHT
T3-ORG T4-YEL
T5-BLK T6-GRY
T7-PNK T8-RED
T9-BRK RED
T10-CURRY
T11-GRN T12-VLT

INTERCHANGE ANY TWO LINE WIRES TO REVERSE THE ROTATION



WARNING: Motor must be grounded in accordance with local and national electrical codes to prevent serious electrical shocks. Disconnect power source before servicing unit.

AVERTISSEMENT: Le moteur doit être mis à la terre

conformément aux codes électriques locaux et nationaux afin d'éviter tout choc électrique grave. Déconnectez l'alimentation avant l'entretien de la machine.

