

DATA SHEET

Three Phase Induction Motor - Squirrel Cage



Customer :				
Product line	: JP Pump NEMA Premium Efficiency Three-Phase	Product code :	14327825	
		Catalog # :	02018OT3E256JP-SG	
Frame	: 254/6JP	Cooling method	: IC01 - ODP	
Insulation class	: F	Mounting	: F-1	
Duty cycle	: Cont.(S1)	Rotation ¹	: Both (CW and CCW)	
Ambient temperature	: -20°C to +40°C	Starting method	: Direct On Line	
Altitude	: 1000 m.a.s.l.	Approx. weight ²	: 198 lb	
Design	: B	Moment of inertia (J)	: 2.23 sq.ft.lb	
Output [HP]	20	20	20	
Poles	4	4	4	
Frequency [Hz]	60	50	50	
Rated voltage [V]	230/460	190/380	220/415	
Rated current [A]	50.0/25.0	59.8/29.9	54.0/28.6	
L. R. Amperes [A]	315/158	311/155	313/166	
LRC [A]	6.3x(Code G)	5.2x(Code F)	5.8x(Code G)	
No load current [A]	22.9/11.4	22.4/11.2	23.6/12.5	
Rated speed [RPM]	1770	1460	1465	
Slip [%]	1.67	2.67	2.33	
Rated torque [ft.lb]	59.3	71.9	71.7	
Locked rotor torque [%]	240	180	200	
Breakdown torque [%]	290	220	250	
Service factor	1.15	1.15	1.15	
Temperature rise	80 K	80 K	80 K	
Locked rotor time	27s (cold) 15s (hot)	0s (cold) 0s (hot)	0s (cold) 0s (hot)	
Noise level ²	64.0 dB(A)	62.0 dB(A)	62.0 dB(A)	
Efficiency (%)	25%	91.7	93.0	92.2
	50%	92.4	91.8	91.4
	75%	92.4	91.2	91.3
	100%	93.0	89.7	90.2
Power Factor	25%	0.38	0.46	0.41
	50%	0.63	0.72	0.68
	75%	0.74	0.82	0.79
	100%	0.81	0.85	0.84
Bearing type	: <u>Drive end</u> 6309 Z C3 <u>Non drive end</u> 6208 Z C3	Foundation loads		
Sealing	: Without Without Bearing Seal Bearing Seal	Max. traction	: 761 lb	
Lubrication interval	: 20000 h 20000 h	Max. compression	: 959 lb	
Lubricant amount	: 13 g 8 g			
Lubricant type	: Mobil Polyrex EM			
Notes USABLE @208V 55.3A SF 1.00 SFA 55.3A				
This revision replaces and cancel the previous one, which must be eliminated. (1) Looking the motor from the shaft end. (2) Measured at 1m and with tolerance of +3dB(A). (3) Approximate weight subject to changes after manufacturing process. (4) At 100% of full load.		These are average values based on tests with sinusoidal power supply, subject to the tolerances stipulated in NEMA MG-1.		
Rev.	Changes Summary	Performed	Checked	Date
Performed by				
Checked by			Page	Revision
Date	14/04/2022		1 / 16	

TORQUE AND CURRENT VS SPEED CURVE

Three Phase Induction Motor - Squirrel Cage



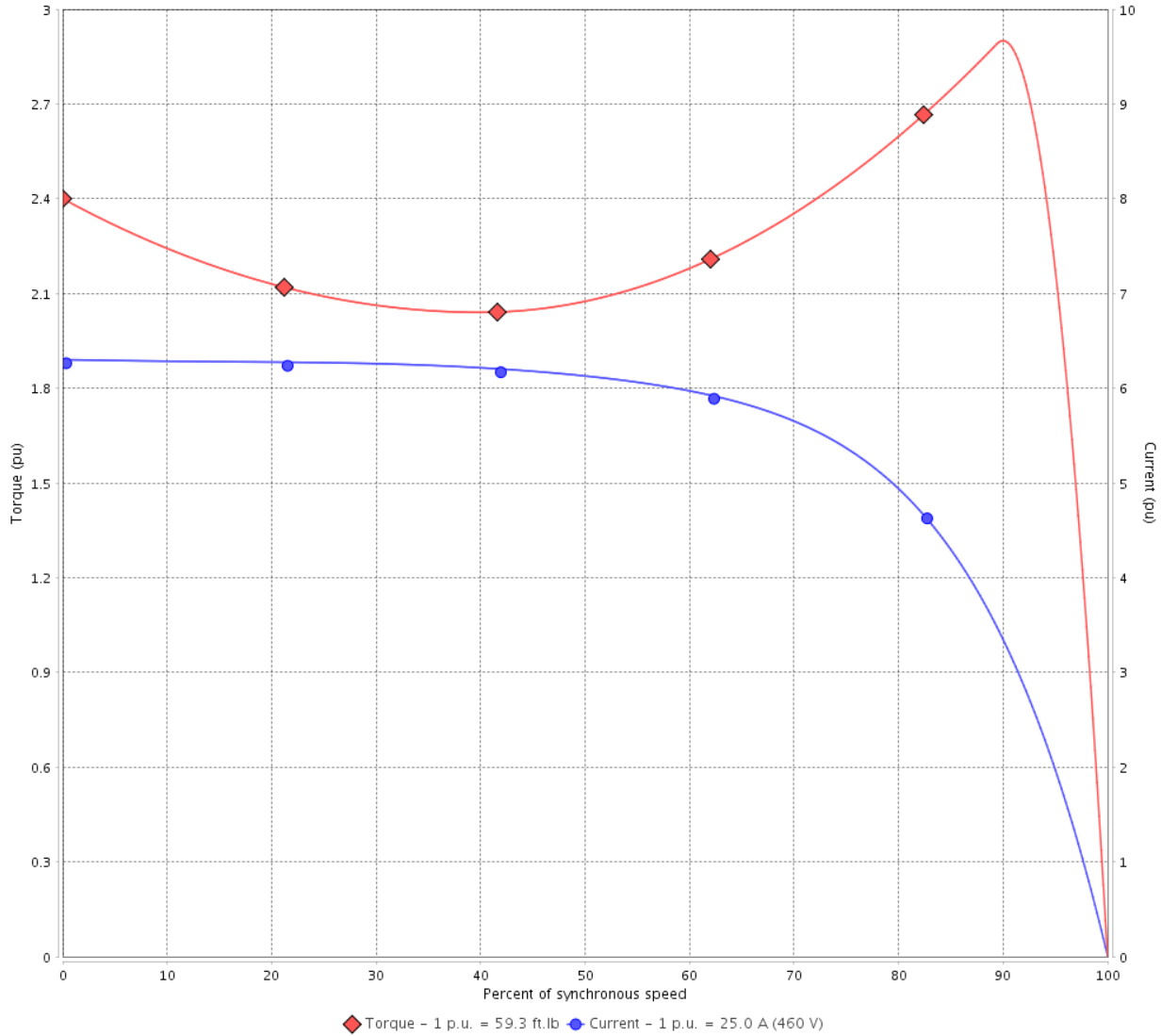
Customer :

Product line : JP Pump NEMA Premium
Efficiency Three-Phase

Product code : 14327825

Catalog # : 02018OT3E256JP-SG

TORQUE AND CURRENT VS SPEED CURVE



Performance : 230/460 V 60 Hz 4P

Rated current	: 50.0/25.0 A	Moment of inertia (J)	: 2.23 sq.ft.lb
LRC	: 6.3	Duty cycle	: Cont.(S1)
Rated torque	: 59.3 ft.lb	Insulation class	: F
Locked rotor torque	: 240 %	Service factor	: 1.15
Breakdown torque	: 290 %	Temperature rise	: 80 K
Rated speed	: 1770 rpm	Design	: B

Locked rotor time : 27s (cold) 15s (hot)

Rev.	Changes Summary	Performed	Checked	Date
Performed by			Page 2 / 16	Revision
Checked by				
Date	14/04/2022			

TORQUE AND CURRENT VS SPEED CURVE



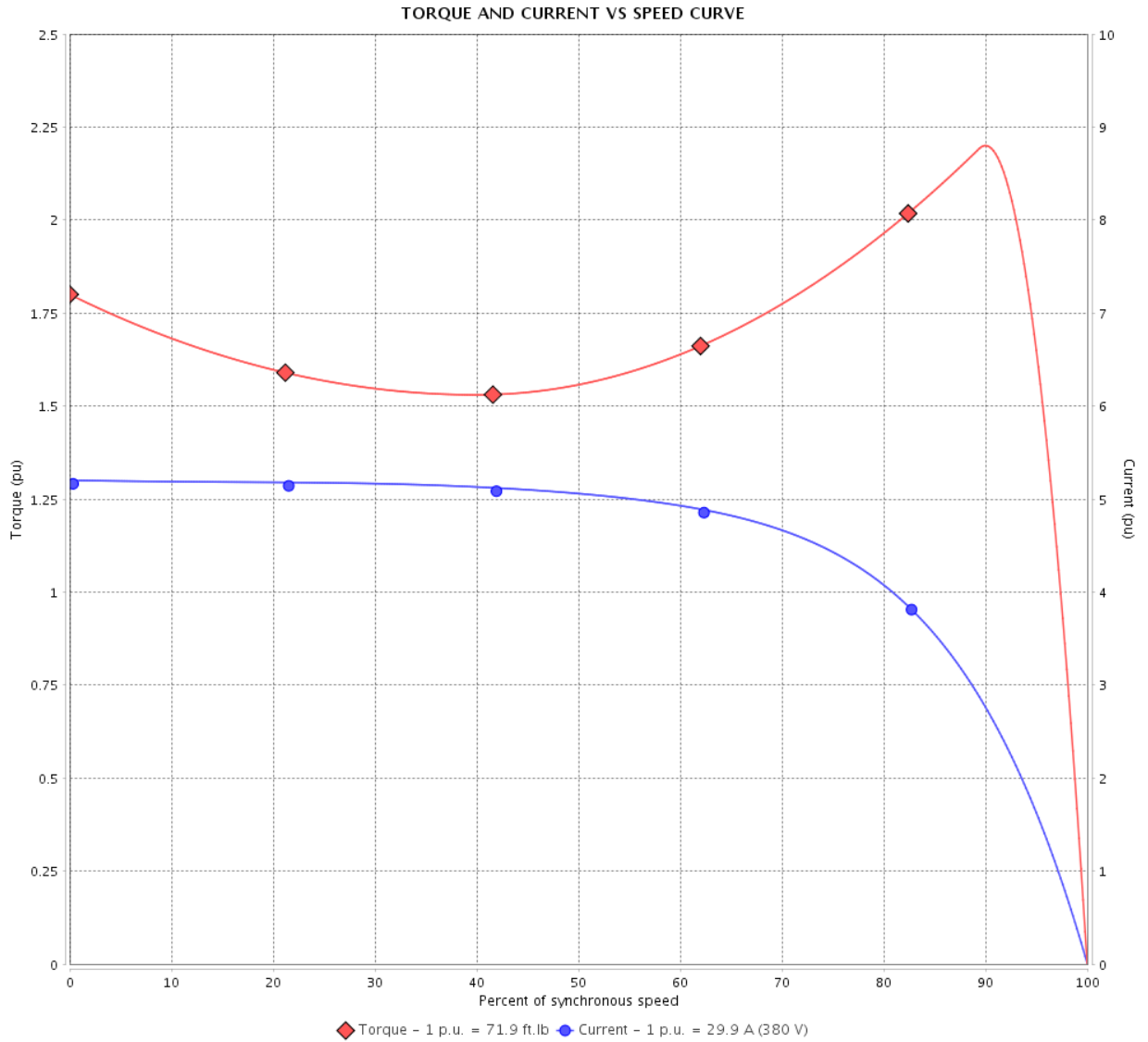
Three Phase Induction Motor - Squirrel Cage

Customer :

Product line : JP Pump NEMA Premium Efficiency Three-Phase

Product code : 14327825

Catalog # : 02018OT3E256JP-SG



Performance : 190/380 V 50 Hz 4P

Rated current : 59.8/29.9 A
 LRC : 5.2
 Rated torque : 71.9 ft.lb
 Locked rotor torque : 180 %
 Breakdown torque : 220 %
 Rated speed : 1460 rpm

Moment of inertia (J) : 2.23 sq.ft.lb
 Duty cycle : Cont.(S1)
 Insulation class : F
 Service factor : 1.15
 Temperature rise : 80 K
 Design : B

Locked rotor time : 0s (cold) 0s (hot)

Rev.	Changes Summary	Performed	Checked	Date
Performed by			Page 3 / 16	Revision
Checked by				
Date	14/04/2022			

TORQUE AND CURRENT VS SPEED CURVE

Three Phase Induction Motor - Squirrel Cage



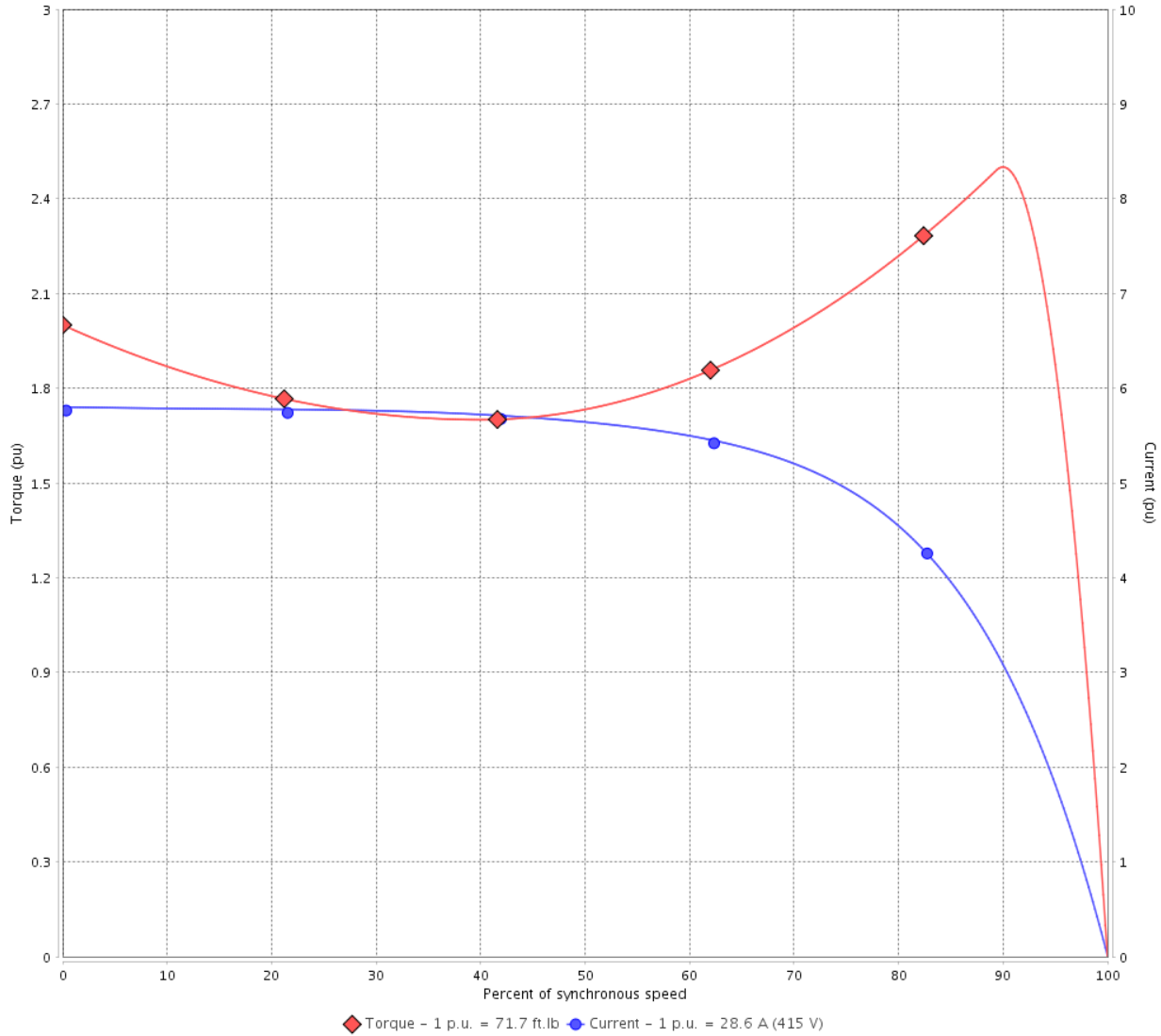
Customer :

Product line : JP Pump NEMA Premium
Efficiency Three-Phase

Product code : 14327825

Catalog # : 02018OT3E256JP-SG

TORQUE AND CURRENT VS SPEED CURVE



Performance : 220/415 V 50 Hz 4P

Rated current	: 54.0/28.6 A	Moment of inertia (J)	: 2.23 sq.ft.lb
LRC	: 5.8	Duty cycle	: Cont.(S1)
Rated torque	: 71.7 ft.lb	Insulation class	: F
Locked rotor torque	: 200 %	Service factor	: 1.15
Breakdown torque	: 250 %	Temperature rise	: 80 K
Rated speed	: 1465 rpm	Design	: B

Locked rotor time : 0s (cold) 0s (hot)

Rev.	Changes Summary	Performed	Checked	Date
Performed by			Page 4 / 16	Revision
Checked by				
Date	14/04/2022			

LOAD PERFORMANCE CURVE

Three Phase Induction Motor - Squirrel Cage

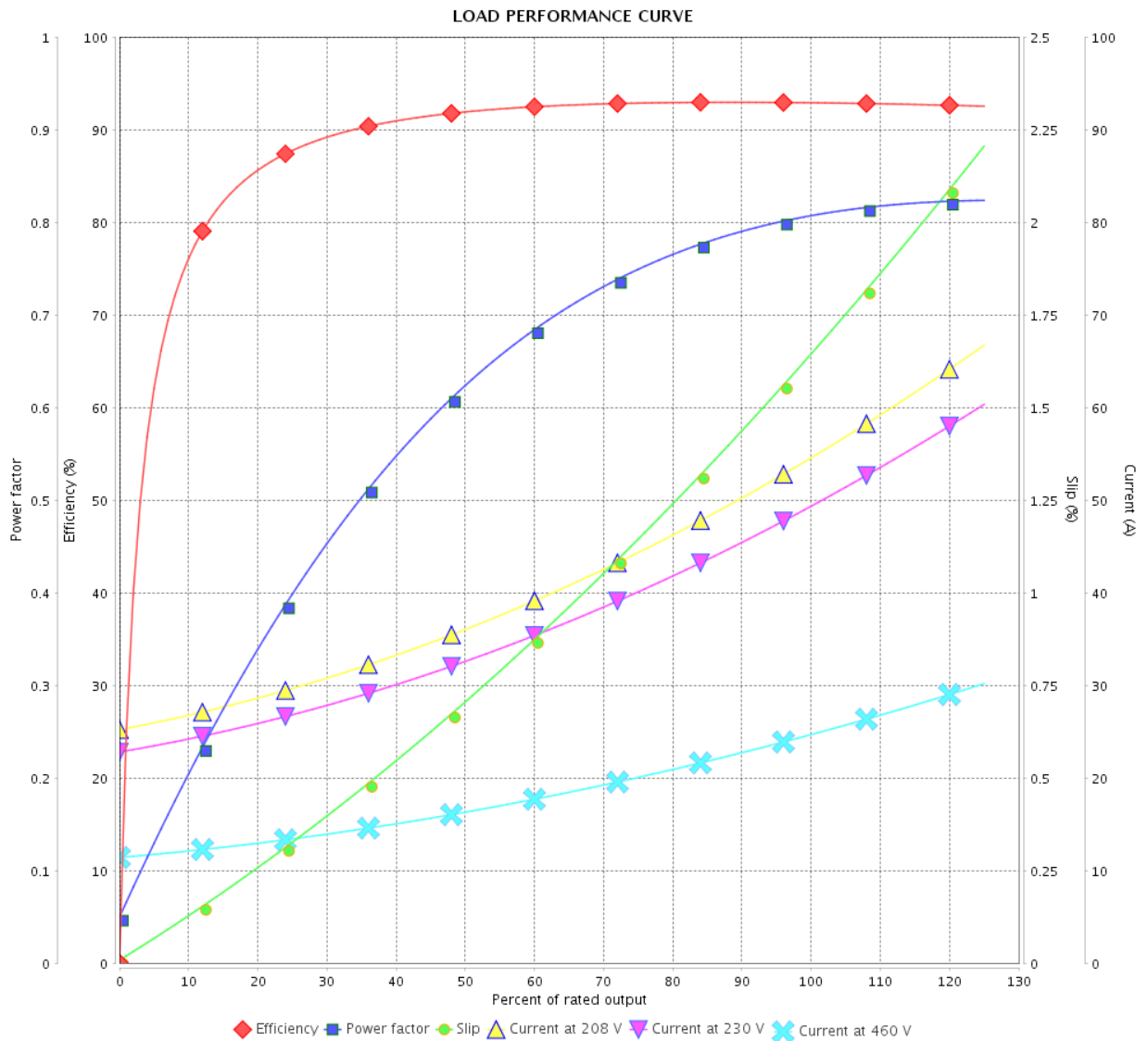


Customer :

Product line : JP Pump NEMA Premium
Efficiency Three-Phase

Product code : 14327825

Catalog # : 02018OT3E256JP-SG



Performance : 230/460 V 60 Hz 4P

Rated current : 50.0/25.0 A
 LRC : 6.3
 Rated torque : 59.3 ft.lb
 Locked rotor torque : 240 %
 Breakdown torque : 290 %
 Rated speed : 1770 rpm

Moment of inertia (J) : 2.23 sq.ft.lb
 Duty cycle : Cont.(S1)
 Insulation class : F
 Service factor : 1.15
 Temperature rise : 80 K
 Design : B

Rev.	Changes Summary	Performed	Checked	Date
Performed by			Page	Revision
Checked by				
Date				

LOAD PERFORMANCE CURVE

Three Phase Induction Motor - Squirrel Cage



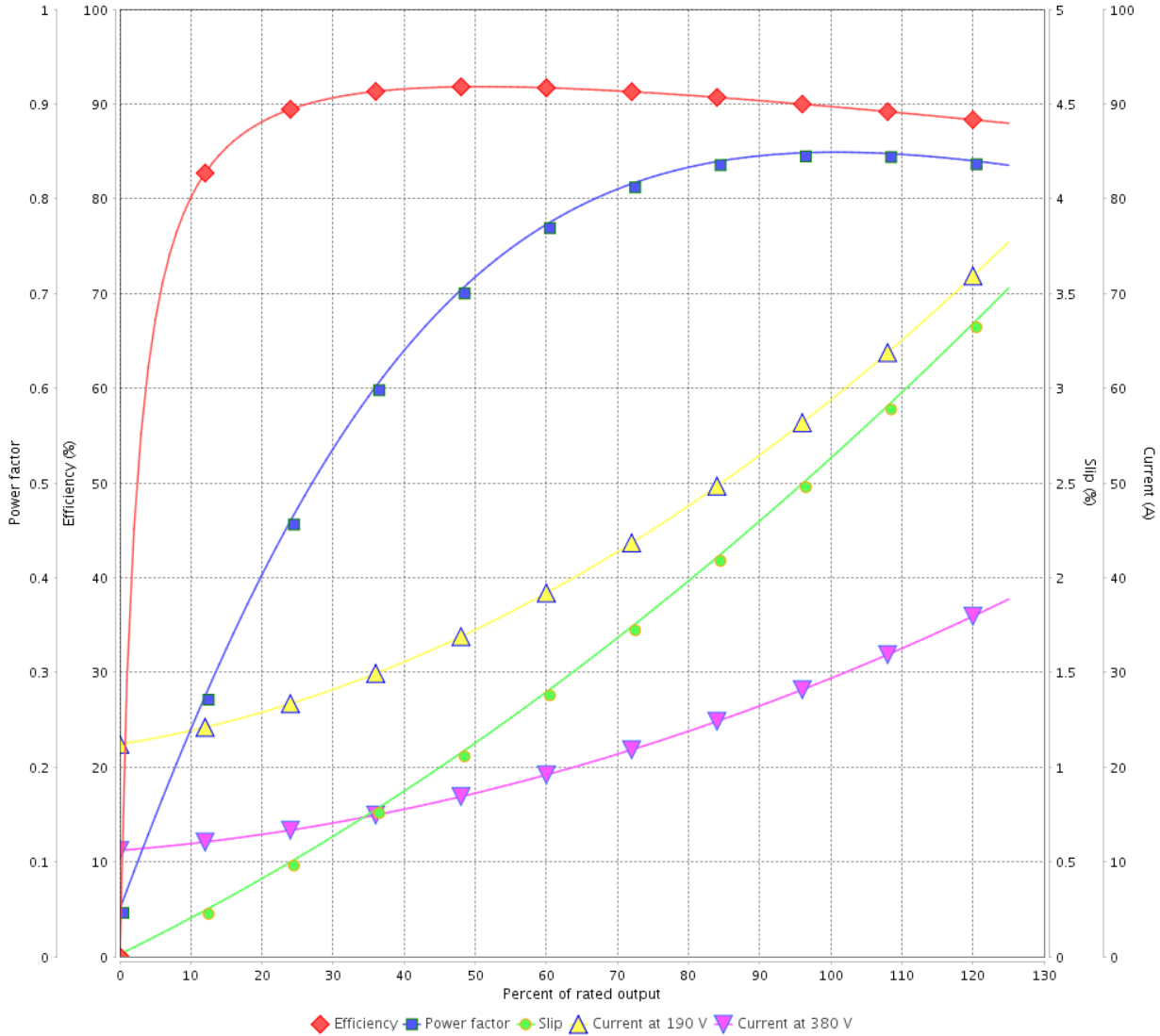
Customer :

Product line : JP Pump NEMA Premium
Efficiency Three-Phase

Product code : 14327825

Catalog # : 02018OT3E256JP-SG

LOAD PERFORMANCE CURVE



Performance : 190/380 V 50 Hz 4P

Rated current : 59.8/29.9 A
LRC : 5.2
Rated torque : 71.9 ft.lb
Locked rotor torque : 180 %
Breakdown torque : 220 %
Rated speed : 1460 rpm

Moment of inertia (J) : 2.23 sq.ft.lb
Duty cycle : Cont.(S1)
Insulation class : F
Service factor : 1.15
Temperature rise : 80 K
Design : B

Rev.	Changes Summary	Performed	Checked	Date
Performed by			Page	Revision
Checked by				
Date				

LOAD PERFORMANCE CURVE

Three Phase Induction Motor - Squirrel Cage

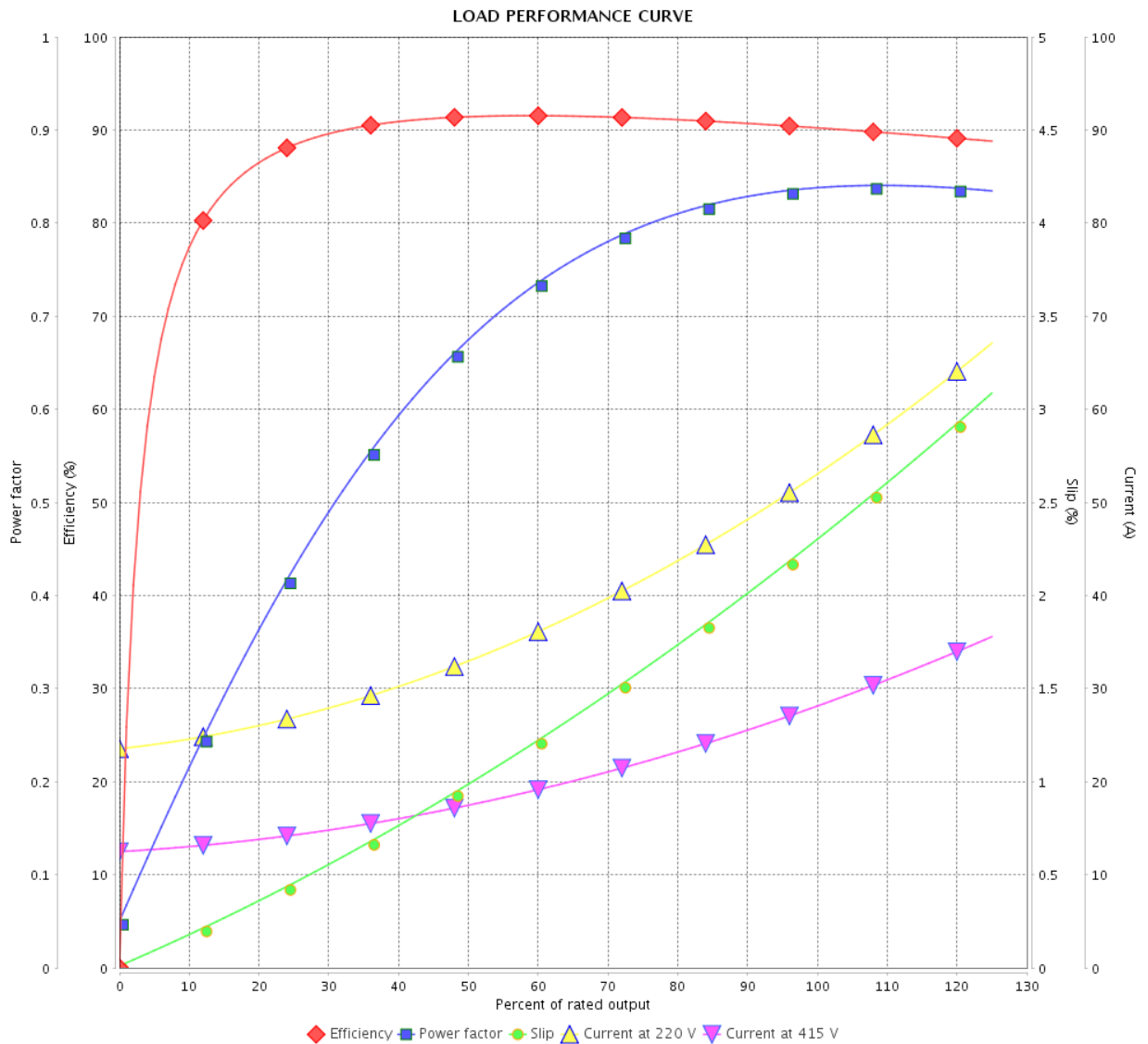


Customer :

Product line : JP Pump NEMA Premium Efficiency Three-Phase

Product code : 14327825

Catalog # : 02018OT3E256JP-SG



Performance : 220/415 V 50 Hz 4P

Rated current : 54.0/28.6 A
 LRC : 5.8
 Rated torque : 71.7 ft.lb
 Locked rotor torque : 200 %
 Breakdown torque : 250 %
 Rated speed : 1465 rpm

Moment of inertia (J) : 2.23 sq.ft.lb
 Duty cycle : Cont.(S1)
 Insulation class : F
 Service factor : 1.15
 Temperature rise : 80 K
 Design : B

Rev.	Changes Summary	Performed	Checked	Date
Performed by		Page		Revision
Checked by		7 / 16		
Date		14/04/2022		

THERMAL LIMIT CURVE



Three Phase Induction Motor - Squirrel Cage

Customer :

Product line : JP Pump NEMA Premium
Efficiency Three-Phase

Product code : 14327825

Catalog # : 02018OT3E256JP-SG

Performance : 230/460 V 60 Hz 4P

Rated current : 50.0/25.0 A
LRC : 6.3
Rated torque : 59.3 ft.lb
Locked rotor torque : 240 %
Breakdown torque : 290 %
Rated speed : 1770 rpm

Moment of inertia (J) : 2.23 sq.ft.lb
Duty cycle : Cont.(S1)
Insulation class : F
Service factor : 1.15
Temperature rise : 80 K
Design : B

Heating constant

Cooling constant

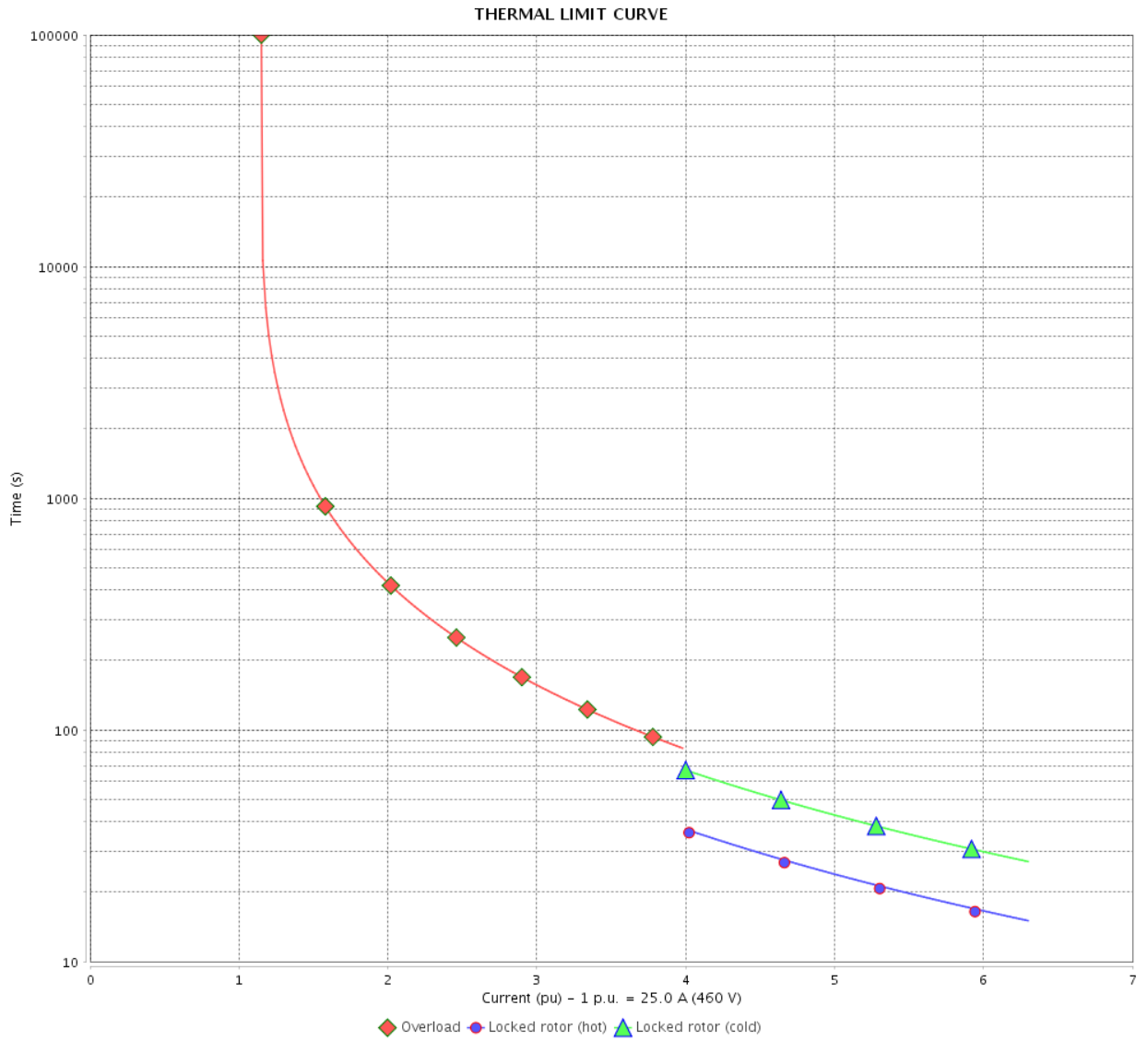
Rev.	Changes Summary	Performed	Checked	Date
Performed by				
Checked by			Page	Revision
Date	14/04/2022		8 / 16	

THERMAL LIMIT CURVE

Three Phase Induction Motor - Squirrel Cage



Customer : _____



Rev.	Changes Summary	Performed	Checked	Date
Performed by		Page		Revision
Checked by				
Date				

THERMAL LIMIT CURVE



Three Phase Induction Motor - Squirrel Cage

Customer :

Product line : JP Pump NEMA Premium
Efficiency Three-Phase

Product code : 14327825

Catalog # : 02018OT3E256JP-SG

Performance : 190/380 V 50 Hz 4P

Rated current : 59.8/29.9 A
LRC : 5.2
Rated torque : 71.9 ft.lb
Locked rotor torque : 180 %
Breakdown torque : 220 %
Rated speed : 1460 rpm

Moment of inertia (J) : 2.23 sq.ft.lb
Duty cycle : Cont.(S1)
Insulation class : F
Service factor : 1.15
Temperature rise : 80 K
Design : B

Heating constant

Cooling constant

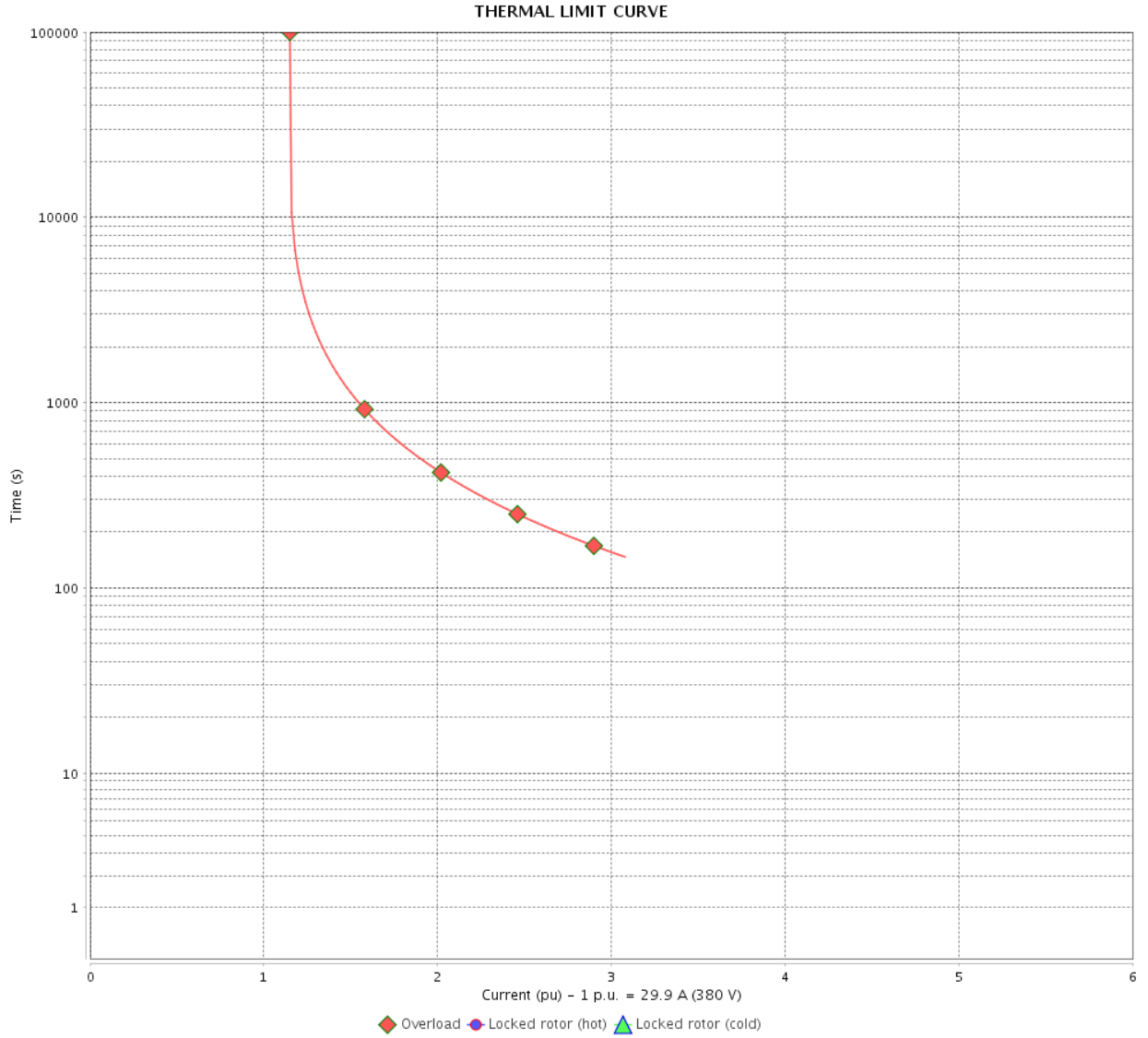
Rev.	Changes Summary	Performed	Checked	Date
Performed by				
Checked by			Page	Revision
Date	14/04/2022		10 / 16	

THERMAL LIMIT CURVE

Three Phase Induction Motor - Squirrel Cage



Customer : _____



Rev.	Changes Summary	Performed	Checked	Date
Performed by		Page		Revision
Checked by		11 / 16		
Date		14/04/2022		

THERMAL LIMIT CURVE



Three Phase Induction Motor - Squirrel Cage

Customer :

Product line : JP Pump NEMA Premium
Efficiency Three-Phase

Product code : 14327825

Catalog # : 02018OT3E256JP-SG

Performance : 220/415 V 50 Hz 4P

Rated current : 54.0/28.6 A
LRC : 5.8
Rated torque : 71.7 ft.lb
Locked rotor torque : 200 %
Breakdown torque : 250 %
Rated speed : 1465 rpm

Moment of inertia (J) : 2.23 sq.ft.lb
Duty cycle : Cont.(S1)
Insulation class : F
Service factor : 1.15
Temperature rise : 80 K
Design : B

Heating constant

Cooling constant

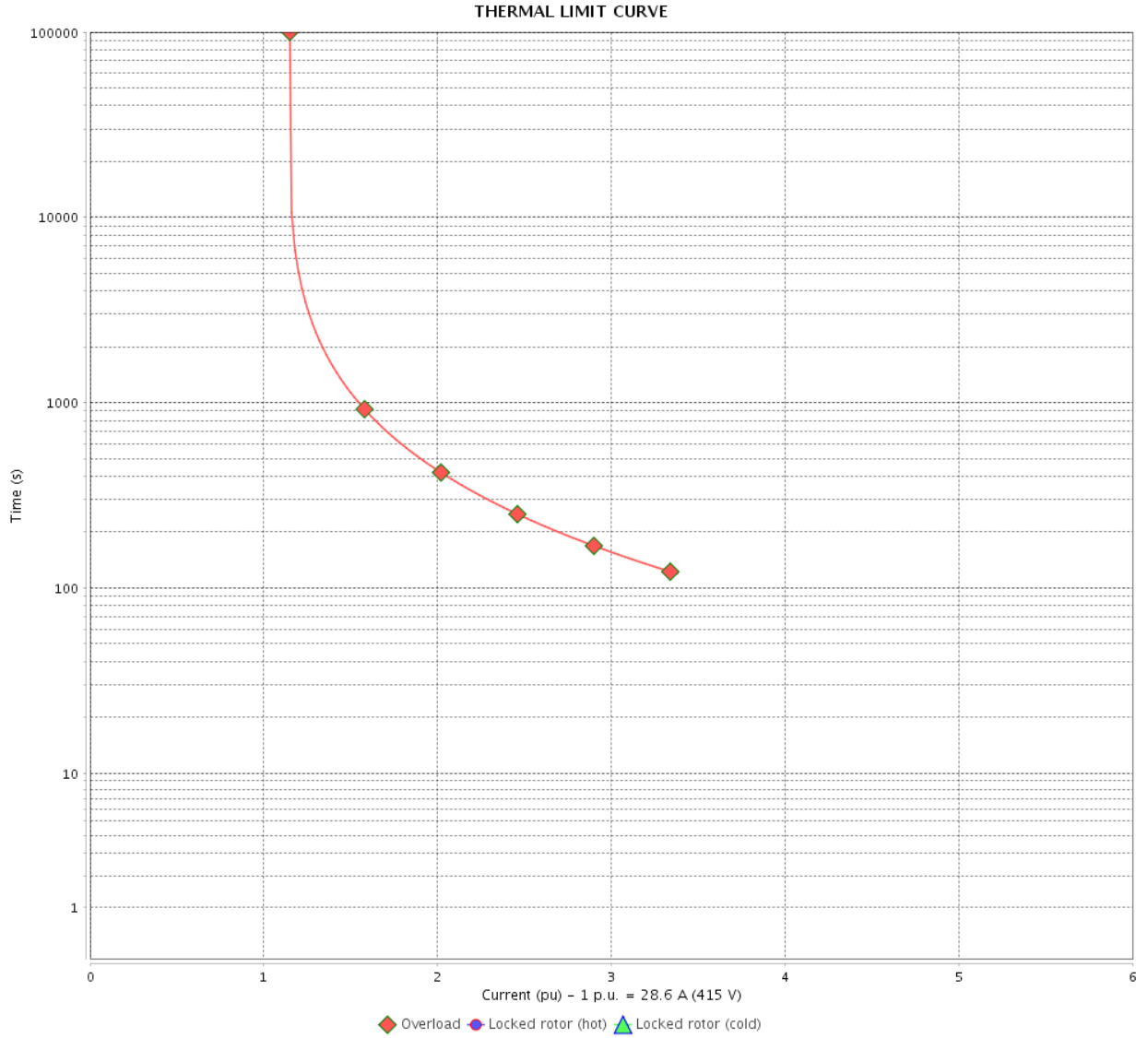
Rev.	Changes Summary	Performed	Checked	Date
Performed by				
Checked by			Page	Revision
Date	14/04/2022		12 / 16	

THERMAL LIMIT CURVE

Three Phase Induction Motor - Squirrel Cage



Customer : _____



Rev.	Changes Summary	Performed	Checked	Date
Performed by		Page		Revision
Checked by		13 / 16		
Date		14/04/2022		

VFD OPERATION CURVE

Three Phase Induction Motor - Squirrel Cage

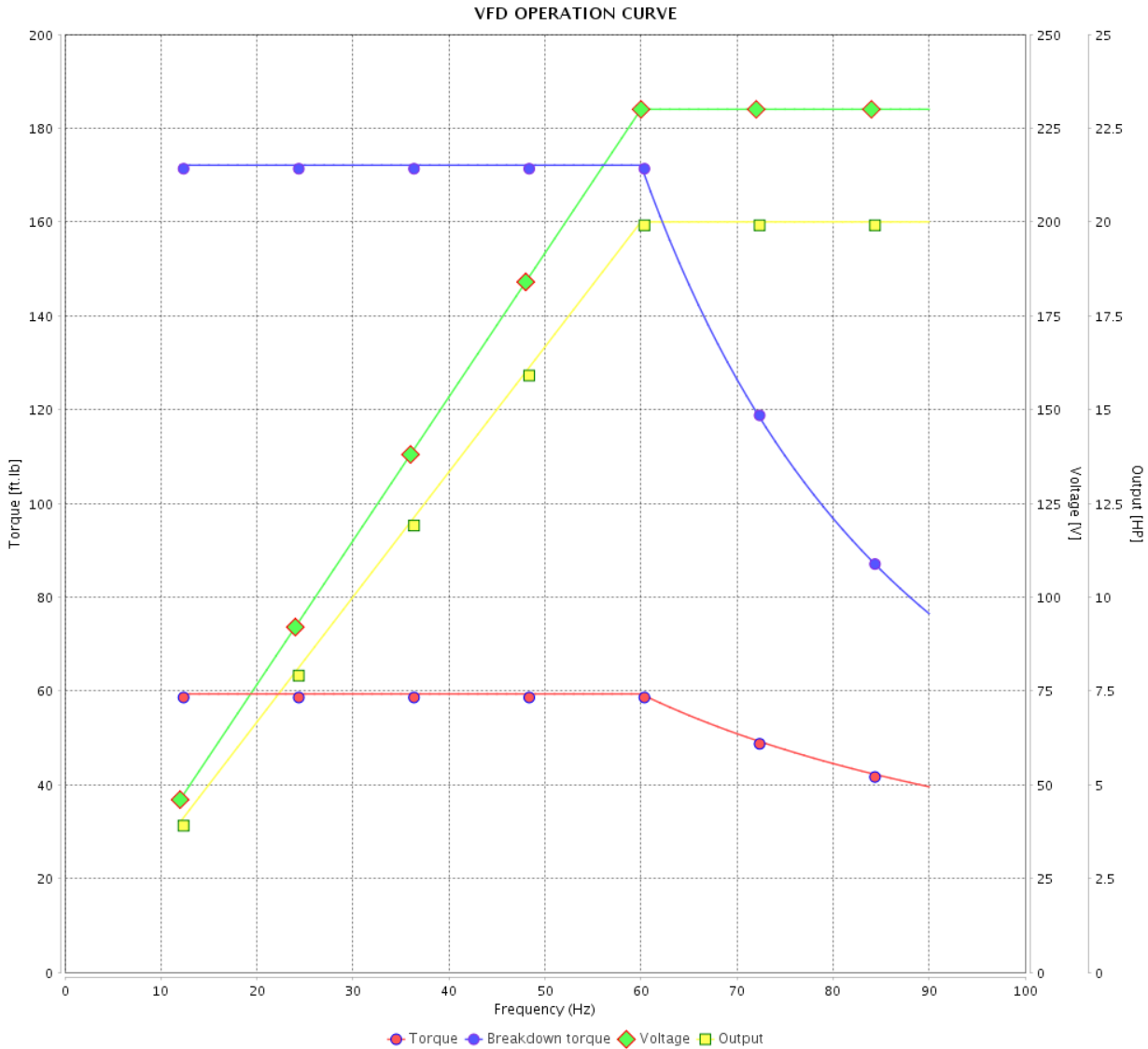


Customer :

Product line : JP Pump NEMA Premium Efficiency Three-Phase

Product code : 14327825

Catalog # : 02018OT3E256JP-SG



Performance : 230/460 V 60 Hz 4P

Rated current : 50.0/25.0 A
 LRC : 6.3
 Rated torque : 59.3 ft.lb
 Locked rotor torque : 240 %
 Breakdown torque : 290 %
 Rated speed : 1770 rpm

Moment of inertia (J) : 2.23 sq.ft.lb
 Duty cycle : Cont.(S1)
 Insulation class : F
 Service factor : 1.15
 Temperature rise : 80 K
 Design : B

Rev.	Changes Summary	Performed	Checked	Date
Performed by			Page	Revision
Checked by				
Date				

VFD OPERATION CURVE

Three Phase Induction Motor - Squirrel Cage

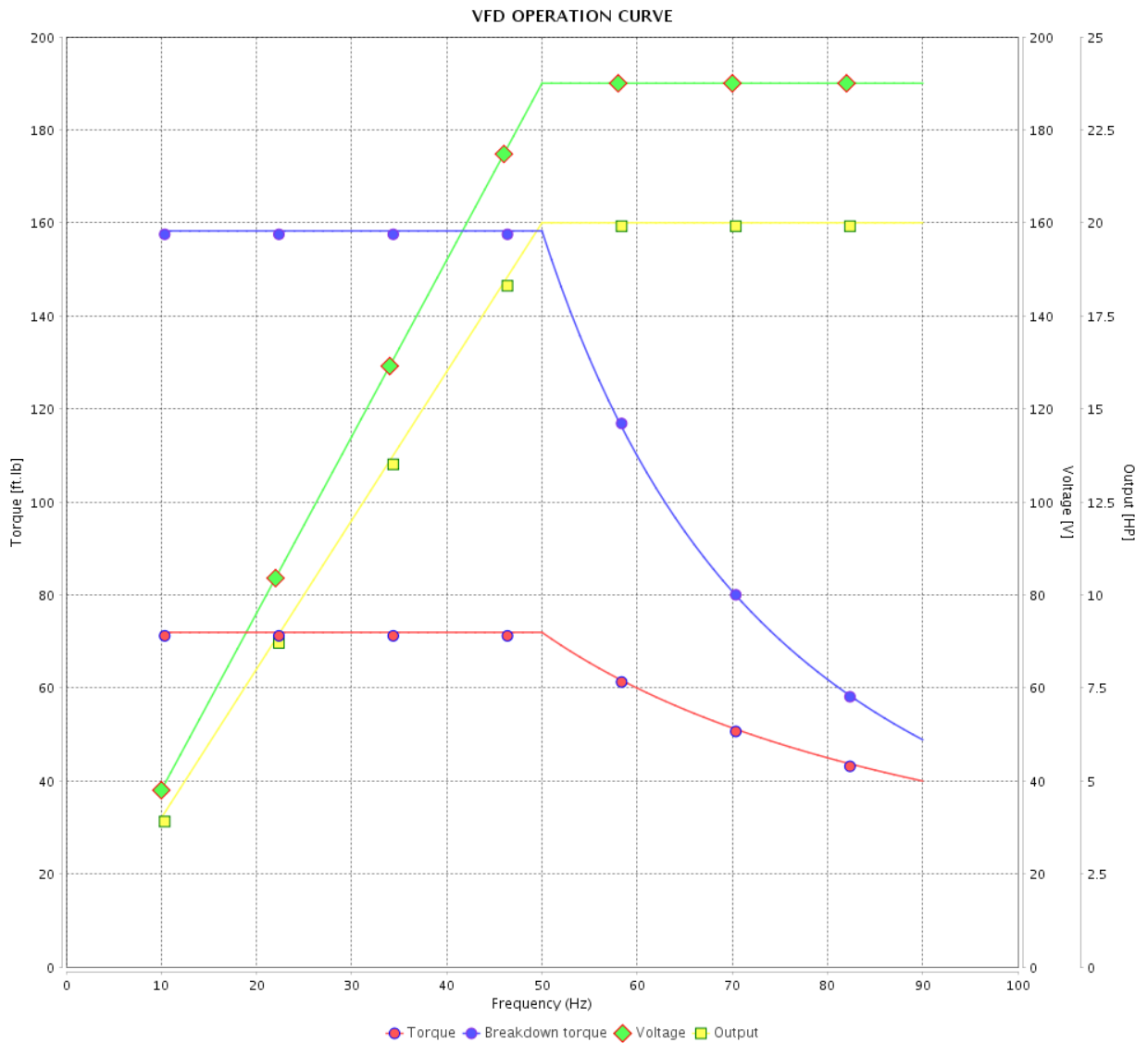


Customer :

Product line : JP Pump NEMA Premium Efficiency Three-Phase

Product code : 14327825

Catalog # : 02018OT3E256JP-SG



Performance : 190/380 V 50 Hz 4P

Rated current : 59.8/29.9 A
 LRC : 5.2
 Rated torque : 71.9 ft.lb
 Locked rotor torque : 180 %
 Breakdown torque : 220 %
 Rated speed : 1460 rpm

Moment of inertia (J) : 2.23 sq.ft.lb
 Duty cycle : Cont.(S1)
 Insulation class : F
 Service factor : 1.15
 Temperature rise : 80 K
 Design : B

Rev.	Changes Summary	Performed	Checked	Date
Performed by				Page 15 / 16
Checked by				
Date	14/04/2022			

VFD OPERATION CURVE

Three Phase Induction Motor - Squirrel Cage



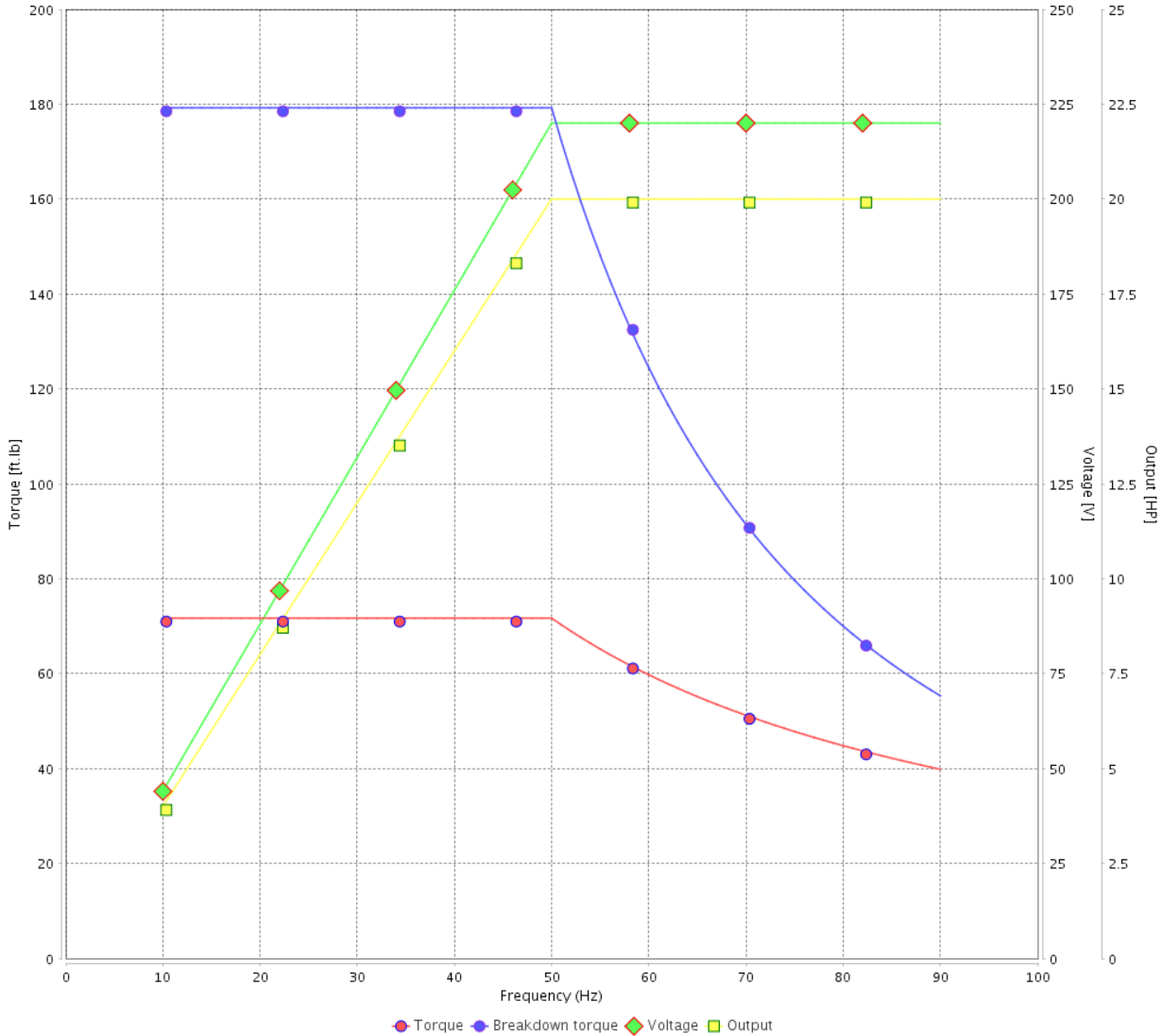
Customer :

Product line : JP Pump NEMA Premium Efficiency Three-Phase

Product code : 14327825

Catalog # : 02018OT3E256JP-SG

VFD OPERATION CURVE



Performance : 220/415 V 50 Hz 4P

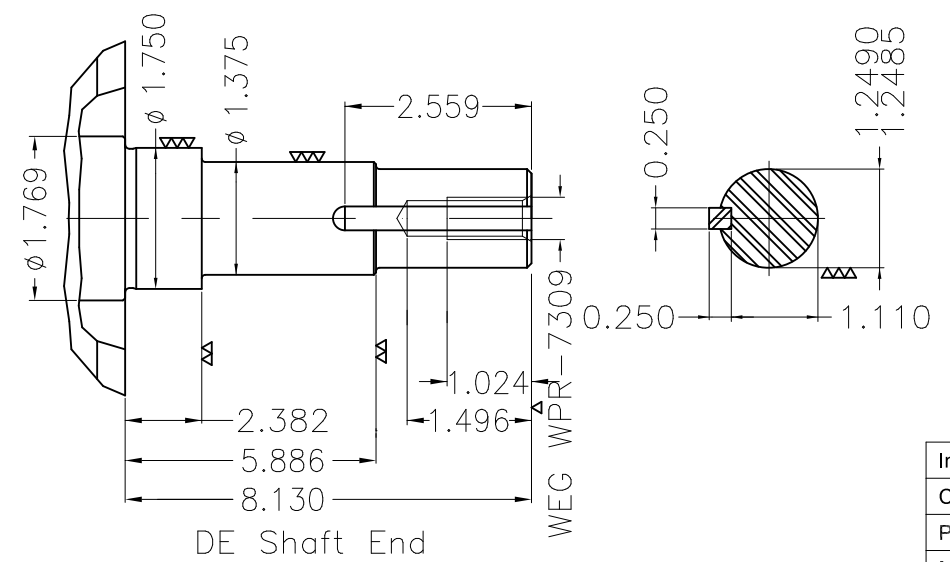
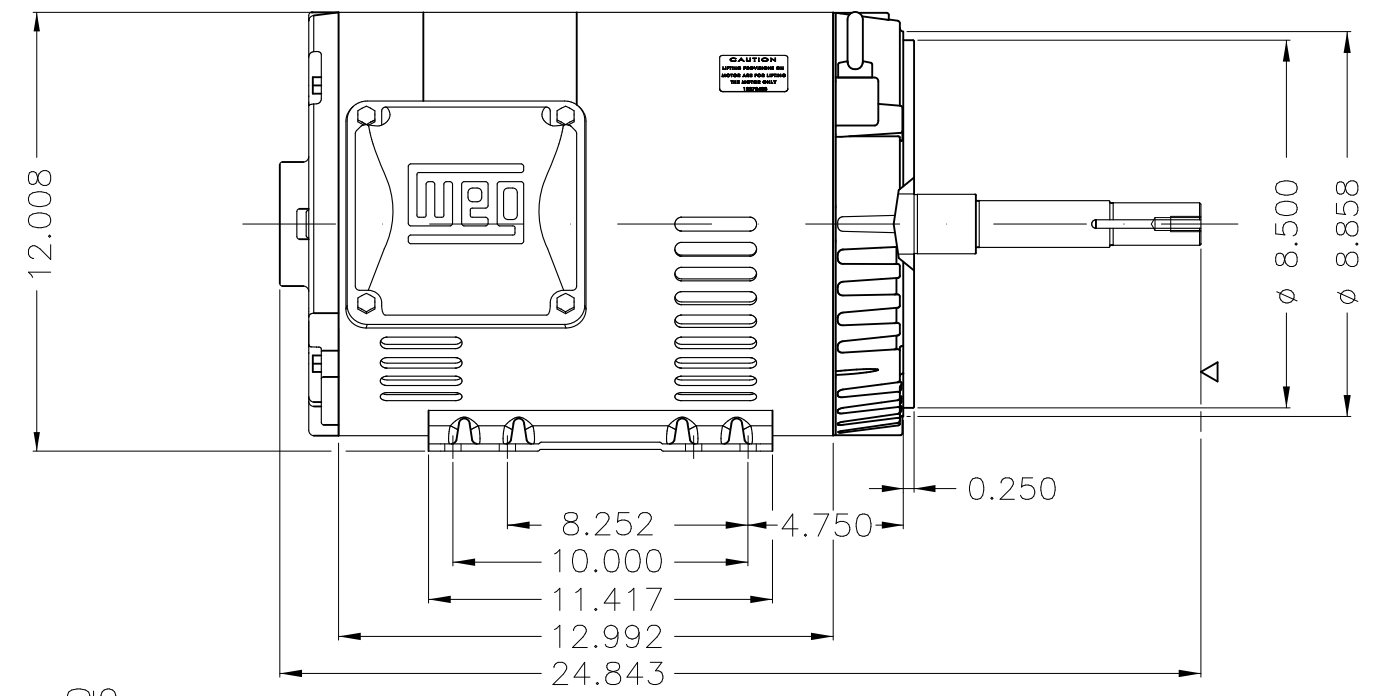
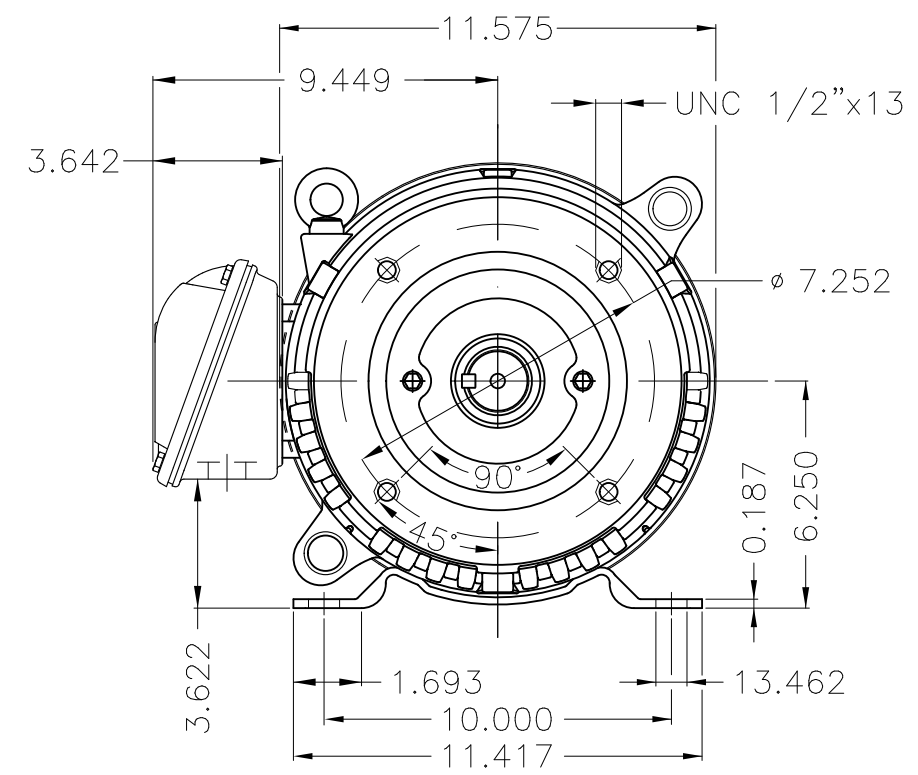
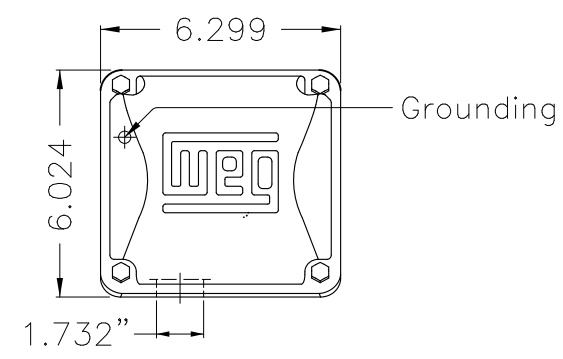
Rated current : 54.0/28.6 A
 LRC : 5.8
 Rated torque : 71.7 ft.lb
 Locked rotor torque : 200 %
 Breakdown torque : 250 %
 Rated speed : 1465 rpm

Moment of inertia (J) : 2.23 sq.ft.lb
 Duty cycle : Cont.(S1)
 Insulation class : F
 Service factor : 1.15
 Temperature rise : 80 K
 Design : B

Rev.	Changes Summary	Performed	Checked	Date
Performed by			Page 16 / 16	Revision
Checked by				
Date	14/04/2022			

1 2 3 4 5 6

A
B
C
D
E



EUNC 1/2"-13 WEG WPR-7309

Internal AEGIS ground ring on the DE
 Color Munsell N 1 matte black
 Painting plan 207N
 Mounting F-1/B34R(D)

ECM	LOC	SUMMARY OF MODIFICATIONS	EXECUTED	CHECKED	RELEASED	DATE	VER
EXECUTED	PIRWBUSER	THREE PH. MOTOR ROLLED STEEL CLOSE COUPLED PUMP JP 3/4 DE PRELIM					
CHECKED		FRAME 254/6JP IP21 ODP					
RELEASED							
REL DT.	WMO	Jaragua do Sul	Product Engineering	WDD	SHEET	1 / 1	

20 HP 04 Poles 60 Hz



Dimensions in inches XME A3