

TORQUE AND CURRENT VS SPEED CURVE

Three Phase Induction Motor - Squirrel Cage



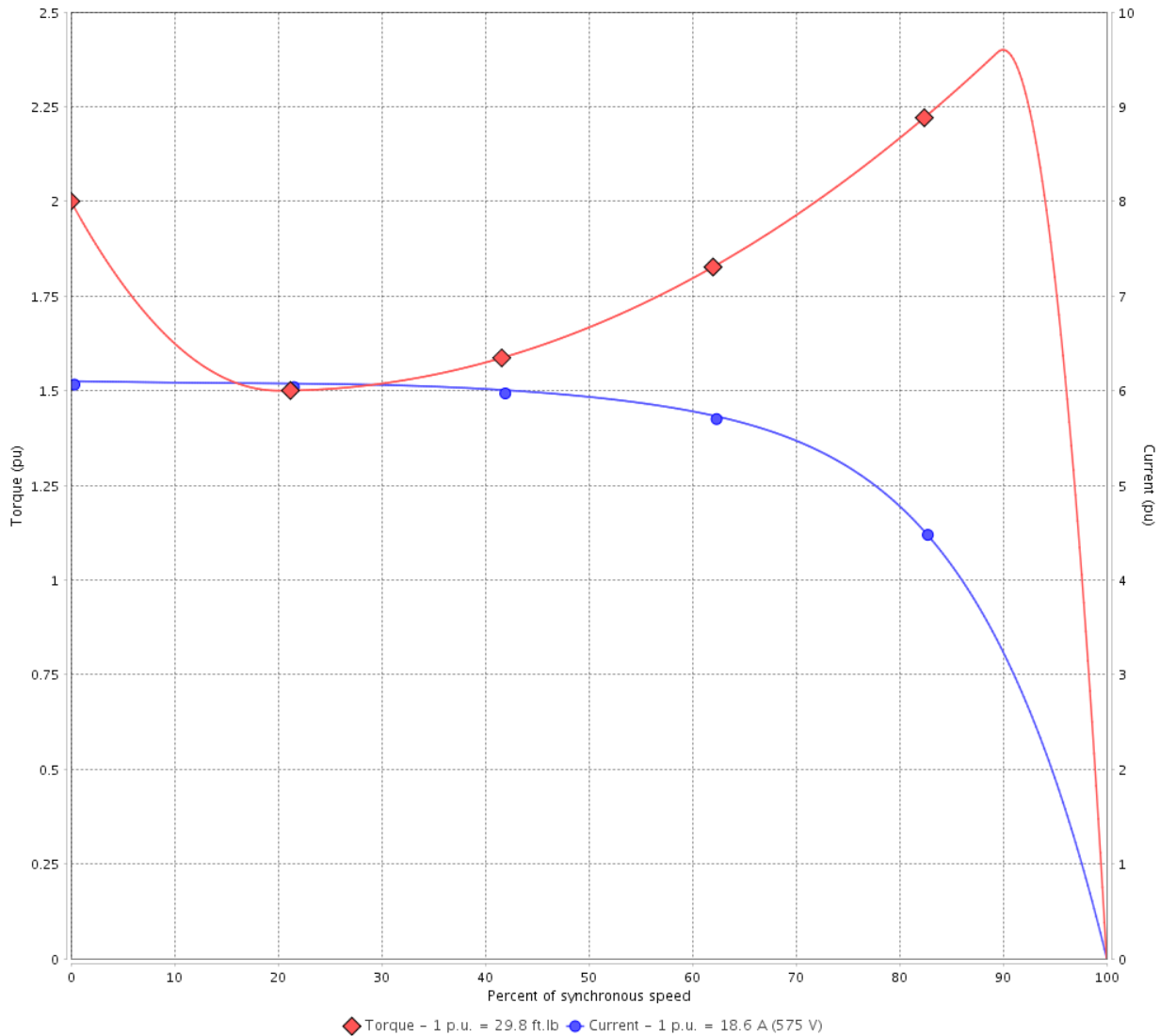
Customer :

Product line : NEMA Premium Efficiency Three-Phase

Product code : 12113105

Catalog # : 02036ET3H256JM-W22

TORQUE AND CURRENT VS SPEED CURVE



Performance : 575 V 60 Hz 2P

Rated current	: 18.6 A	Moment of inertia (J)	: 1.54 sq.ft.lb
LRC	: 6.1	Duty cycle	: Cont.(S1)
Rated torque	: 29.8 ft.lb	Insulation class	: F
Locked rotor torque	: 200 %	Service factor	: 1.25
Breakdown torque	: 240 %	Temperature rise	: 80 K
Rated speed	: 3525 rpm	Design	: B

Locked rotor time : 37s (cold) 21s (hot)

Rev.	Changes Summary	Performed	Checked	Date
Performed by			Page 2 / 6	Revision
Checked by				
Date	14/04/2022			

LOAD PERFORMANCE CURVE

Three Phase Induction Motor - Squirrel Cage

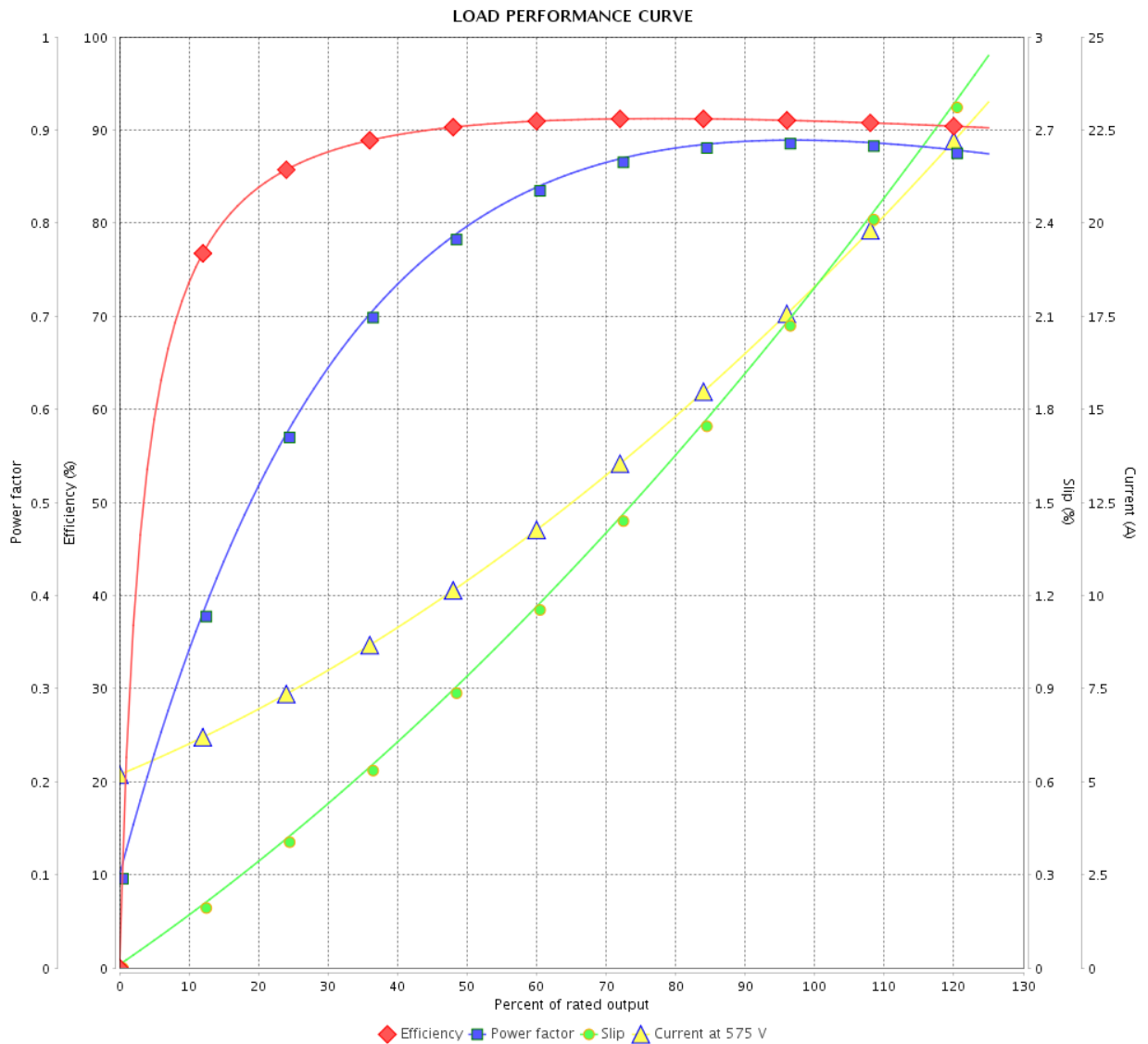


Customer : _____

Product line : NEMA Premium Efficiency Three-Phase

Product code : 12113105

Catalog # : 02036ET3H256JM-W22



Performance : 575 V 60 Hz 2P

Rated current : 18.6 A
 LRC : 6.1
 Rated torque : 29.8 ft.lb
 Locked rotor torque : 200 %
 Breakdown torque : 240 %
 Rated speed : 3525 rpm

Moment of inertia (J) : 1.54 sq.ft.lb
 Duty cycle : Cont.(S1)
 Insulation class : F
 Service factor : 1.25
 Temperature rise : 80 K
 Design : B

Rev.	Changes Summary	Performed	Checked	Date	
Performed by					
Checked by					
Date					14/04/2022
		Page	Revision		
		3 / 6			

THERMAL LIMIT CURVE

Three Phase Induction Motor - Squirrel Cage



Customer :

Product line : NEMA Premium Efficiency Three-Phase

Product code : 12113105

Catalog # : 02036ET3H256JM-W22

Performance : 575 V 60 Hz 2P

Rated current	: 18.6 A	Moment of inertia (J)	: 1.54 sq.ft.lb
LRC	: 6.1	Duty cycle	: Cont.(S1)
Rated torque	: 29.8 ft.lb	Insulation class	: F
Locked rotor torque	: 200 %	Service factor	: 1.25
Breakdown torque	: 240 %	Temperature rise	: 80 K
Rated speed	: 3525 rpm	Design	: B

Heating constant

Cooling constant

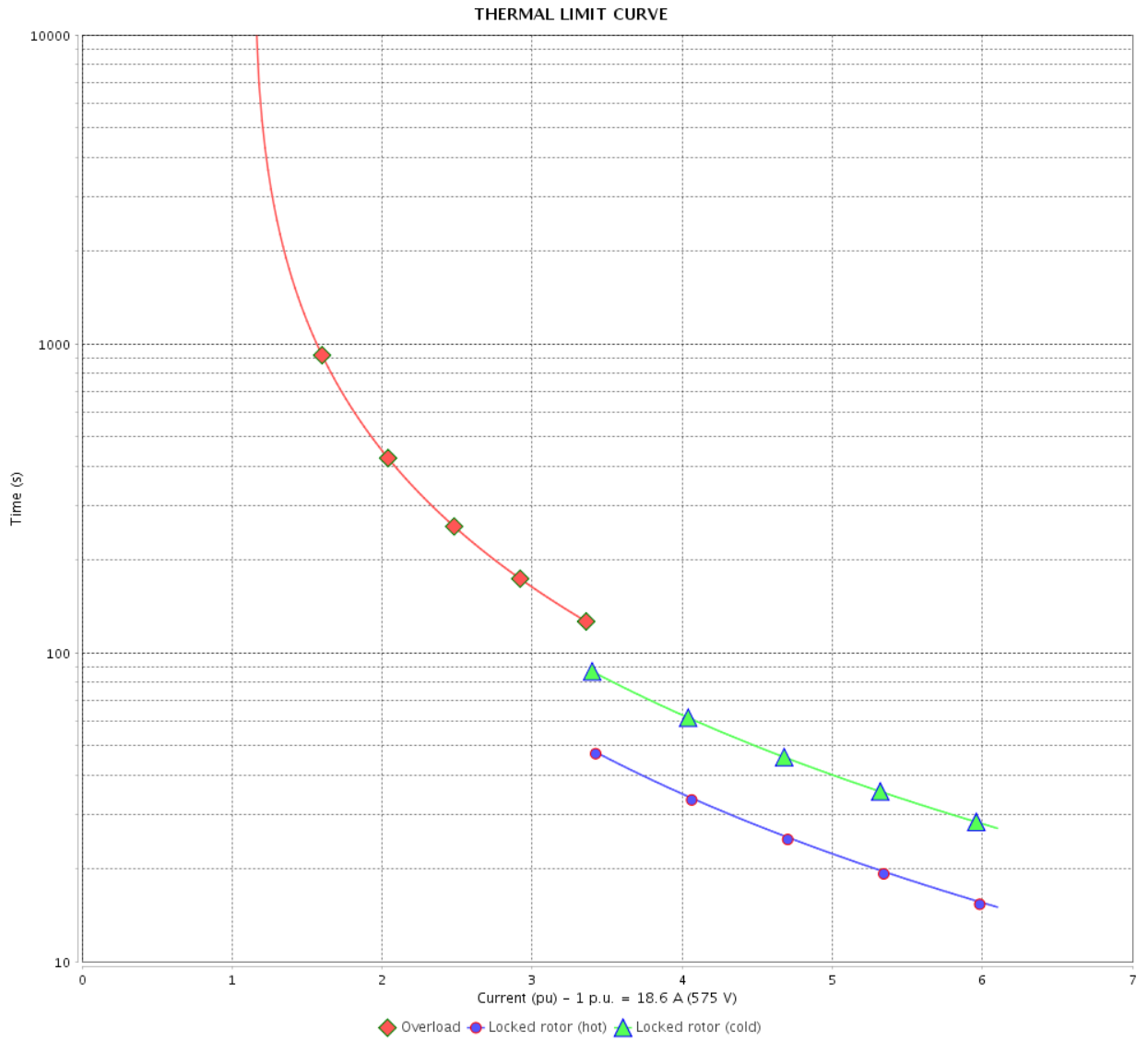
Rev.	Changes Summary	Performed	Checked	Date
Performed by				
Checked by			Page	Revision
Date	14/04/2022		4 / 6	

THERMAL LIMIT CURVE

Three Phase Induction Motor - Squirrel Cage



Customer : _____



Rev.	Changes Summary	Performed	Checked	Date
Performed by		Page		Revision
Checked by		5 / 6		
Date		14/04/2022		

VFD OPERATION CURVE

Three Phase Induction Motor - Squirrel Cage

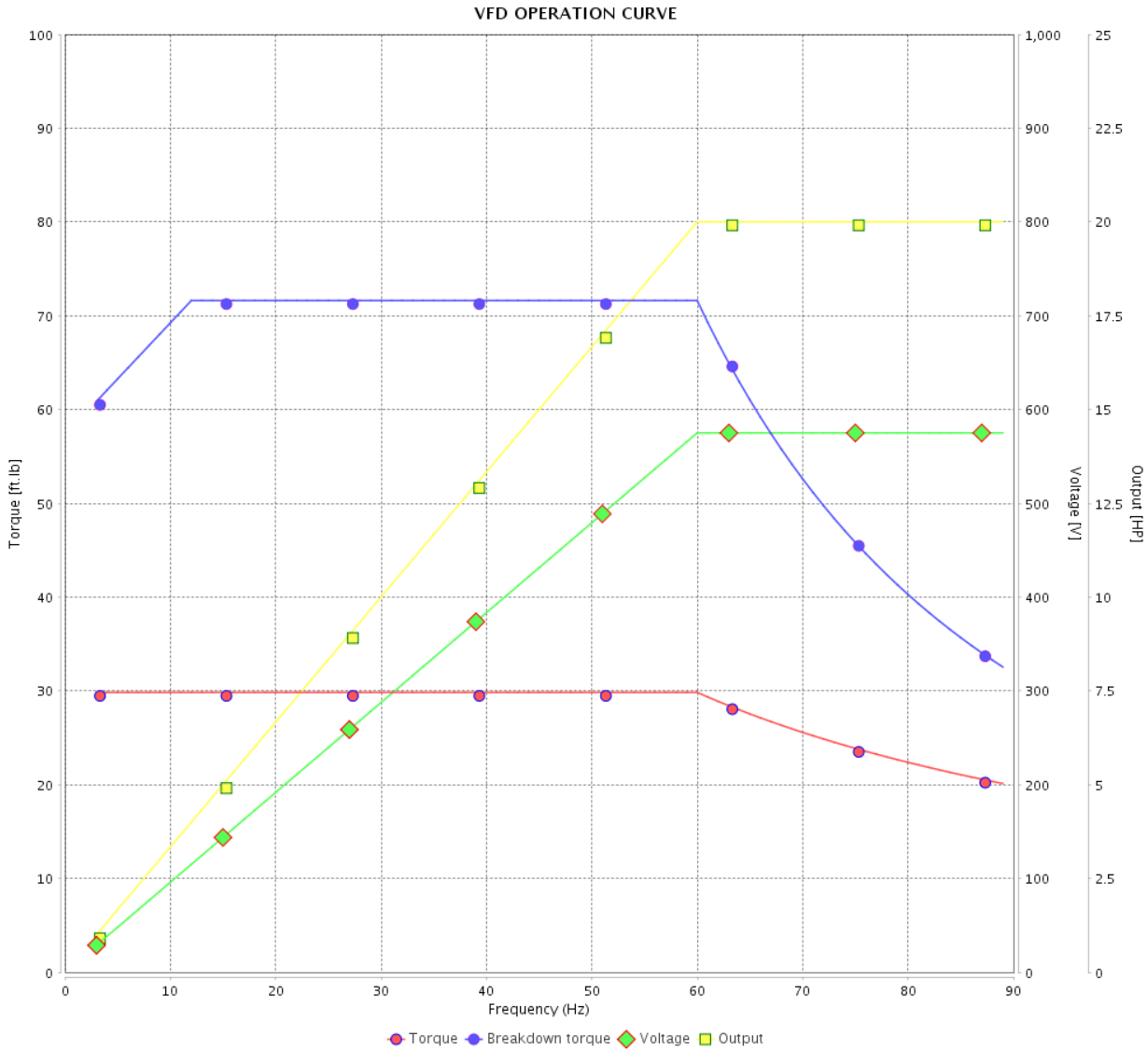


Customer :

Product line : NEMA Premium Efficiency Three-Phase

Product code : 12113105

Catalog # : 02036ET3H256JM-W22



Performance : 575 V 60 Hz 2P

Rated current : 18.6 A
 LRC : 6.1
 Rated torque : 29.8 ft.lb
 Locked rotor torque : 200 %
 Breakdown torque : 240 %
 Rated speed : 3525 rpm

Moment of inertia (J) : 1.54 sq.ft.lb
 Duty cycle : Cont.(S1)
 Insulation class : F
 Service factor : 1.25
 Temperature rise : 80 K
 Design : B

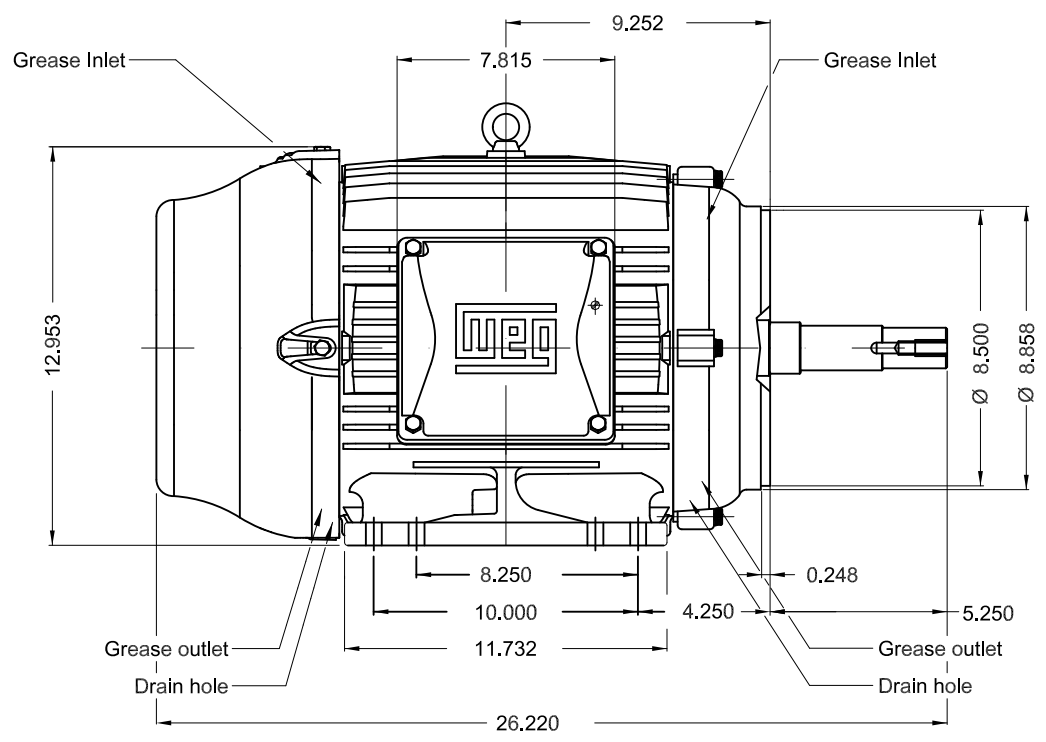
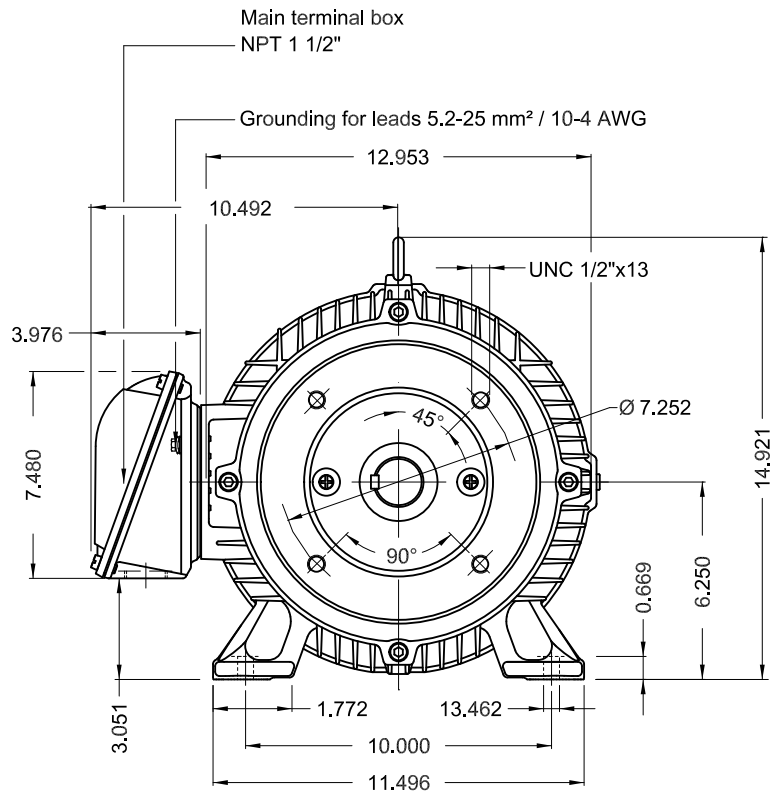
Rev.	Changes Summary	Performed	Checked	Date
Performed by			Page 6 / 6	Revision
Checked by				
Date	14/04/2022			

1 2 3 4 5 6

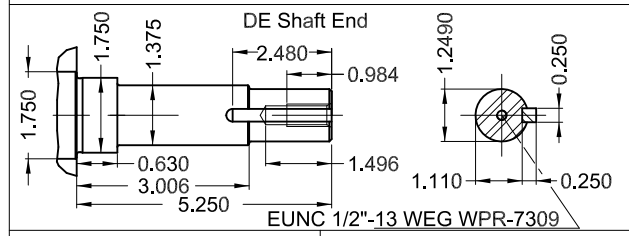
A

B

C



D



E

Color RAL 5009
Painting plan 203A
Mounting B34R(D)

20 HP 02 Poles 60 Hz A

ECM	LOC	SUMMARY OF MODIFICATIONS	EXECUTED	CHECKED	RELEASED	DATE	VER
EXECUTED	PIRWBUSER	THREE PH. MOTOR JM/JP/JET PUMP W22 PREM. EFF.					
CHECKED		FRAME 254/6JM IP55 TEFC					
RELEASED							
REL DT.	WMO	Jaragua do Sul	Product Engineering	SHEET	1 / 1		

PREVIEW
WDD



MODEL 02036ET3H256JM-W22
MADE IN BRAZIL
12113105

WEG **W22 NEMA**
CC029A Premium
Inverter Duty Motor
Severe Duty

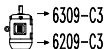
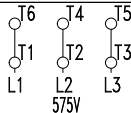


FOR SAFE AREA
MOD.TE1BFOXON



Class I, Div 2, Gr. A, B, C and D - T3
Class I, Zone 2, IIC - T3
Class II, Div 2, Gr. F and G - T4
For use on PWM, Gr. A, B, C, D and F,
VT 1000:1, CT 20:1, 1.0SF, T3A

PH 3	FR 254/6JM	HP(kW) 20(15)		Hz 60
V 575		A 18.6		IP55
NEMA NOM EFF		91.0	%	RPM 3525
ENCL TEFC	DUTY	CONT.		INS. CL. F Δ T 80 K
PF 0.89		DES B	CODE G	AMB. 40°C
SF 1.25	SFA 23.3		ALT 1000 m.a.s.l.	



→ 6309-C3
→ 6209-C3

MOBIL POLYREX EM
13 g 19000 h

331 Lbs