

DATA SHEET

Three Phase Induction Motor - Squirrel Cage



Customer		:	
Product line	: NEMA Premium Efficiency Three-Phase	Product code :	12682876
		Catalog # :	02036OT3E254TC-S
Frame	: 254/6TC	Cooling method	: IC01 - ODP
Insulation class	: F	Mounting	: F-1
Duty cycle	: Cont.(S1)	Rotation ¹	: Both (CW and CCW)
Ambient temperature	: -20°C to +40°C	Starting method	: Direct On Line
Altitude	: 1000 m.a.s.l.	Approx. weight ²	: 179 lb
Design	: B	Moment of inertia (J)	: 0.7848 sq.ft.lb
Output [HP]	20	20	20
Poles	2	2	2
Frequency [Hz]	60	50	50
Rated voltage [V]	230/460	190/380	220/415
Rated current [A]	47.6/23.8	58.0/29.0	51.7/27.4
L. R. Amperes [A]	286/143	261/131	264/140
LRC [A]	6.0x(Code G)	4.5x(Code D)	5.1x(Code E)
No load current [A]	17.0/8.50	16.2/8.09	17.1/9.04
Rated speed [RPM]	3525	2895	2905
Slip [%]	2.08	3.50	3.17
Rated torque [ft.lb]	29.8	36.3	36.2
Locked rotor torque [%]	180	130	140
Breakdown torque [%]	240	190	210
Service factor	1.15	1.00	1.00
Temperature rise	80 K	105 K	80 K
Locked rotor time	23s (cold) 13s (hot)	0s (cold) 0s (hot)	0s (cold) 0s (hot)
Noise level ²	70.0 dB(A)	68.0 dB(A)	68.0 dB(A)
Efficiency (%)	25%	90.0	91.6
	50%	90.2	90.6
	75%	91.0	90.0
	100%	91.0	88.7
Power Factor	25%	0.49	0.51
	50%	0.76	0.78
	75%	0.83	0.86
	100%	0.87	0.89
Bearing type	: <u>Drive end</u> 6309 Z C3 <u>Non drive end</u> 6208 Z C3	Foundation loads	
Sealing	: Without Without Bearing Seal Bearing Seal	Max. traction	: 274 lb
Lubrication interval	: 20000 h 20000 h	Max. compression	: 453 lb
Lubricant amount	: 13 g 8 g		
Lubricant type	: Mobil Polyrex EM		
Notes USABLE @208V 52.6A SF 1.00 SFA 52.6A			
This revision replaces and cancel the previous one, which must be eliminated. (1) Looking the motor from the shaft end. (2) Measured at 1m and with tolerance of +3dB(A). (3) Approximate weight subject to changes after manufacturing process. (4) At 100% of full load.		These are average values based on tests with sinusoidal power supply, subject to the tolerances stipulated in NEMA MG-1.	
Rev.	Changes Summary	Performed	Checked
			Date
Performed by			
Checked by			Page
Date	14/04/2022		Revision
			1 /

TORQUE AND CURRENT VS SPEED CURVE

Three Phase Induction Motor - Squirrel Cage



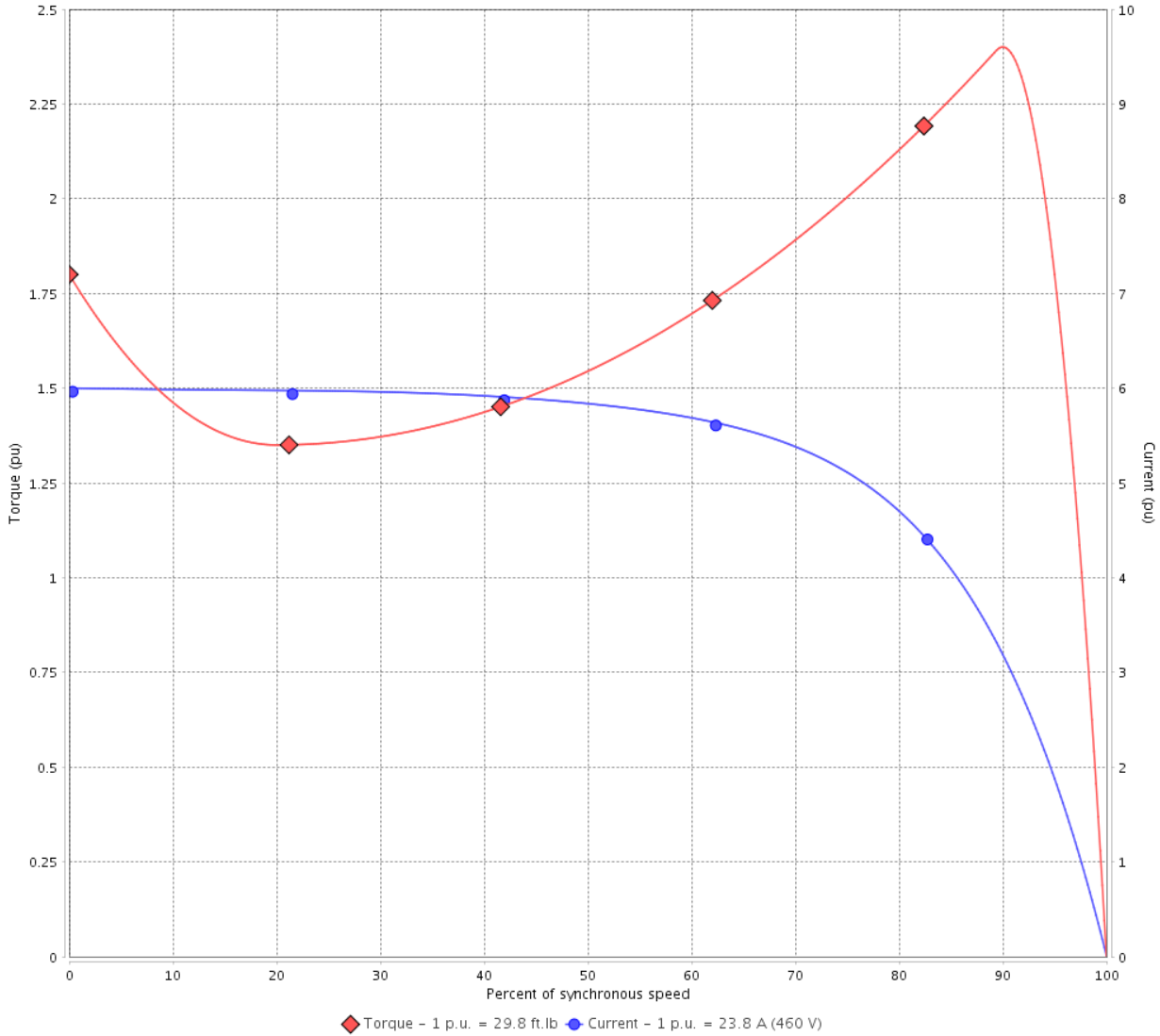
Customer :

Product line : NEMA Premium Efficiency Three-Phase

Product code : 12682876

Catalog # : 02036OT3E254TC-S

TORQUE AND CURRENT VS SPEED CURVE



Performance : 230/460 V 60 Hz 2P

Rated current	: 47.6/23.8 A	Moment of inertia (J)	: 0.7848 sq.ft.lb
LRC	: 6.0	Duty cycle	: Cont.(S1)
Rated torque	: 29.8 ft.lb	Insulation class	: F
Locked rotor torque	: 180 %	Service factor	: 1.15
Breakdown torque	: 240 %	Temperature rise	: 80 K
Rated speed	: 3525 rpm	Design	: B

Locked rotor time : 23s (cold) 13s (hot)

Rev.	Changes Summary	Performed	Checked	Date
Performed by			Page 2 /	Revision
Checked by				
Date	14/04/2022			

TORQUE AND CURRENT VS SPEED CURVE



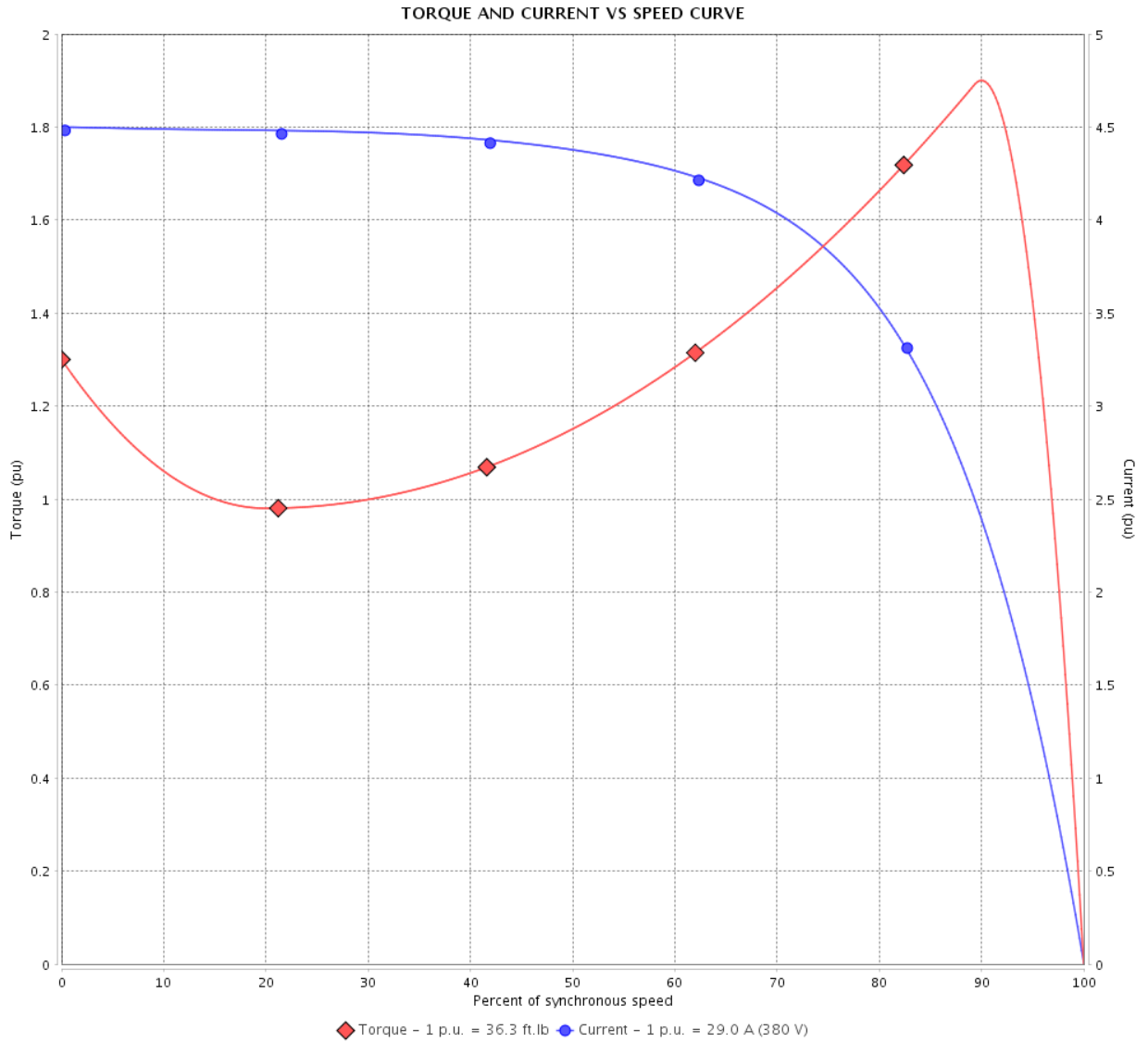
Three Phase Induction Motor - Squirrel Cage

Customer :

Product line : NEMA Premium Efficiency Three-Phase

Product code : 12682876

Catalog # : 02036OT3E254TC-S



Performance : 190/380 V 50 Hz 2P

Rated current : 58.0/29.0 A
 LRC : 4.5
 Rated torque : 36.3 ft.lb
 Locked rotor torque : 130 %
 Breakdown torque : 190 %
 Rated speed : 2895 rpm

Moment of inertia (J) : 0.7848 sq.ft.lb
 Duty cycle : Cont.(S1)
 Insulation class : F
 Service factor : 1.00
 Temperature rise : 105 K
 Design : B

Locked rotor time : 0s (cold) 0s (hot)

Rev.	Changes Summary	Performed	Checked	Date
Performed by			Page 3 /	Revision
Checked by				
Date	14/04/2022			

TORQUE AND CURRENT VS SPEED CURVE

Three Phase Induction Motor - Squirrel Cage



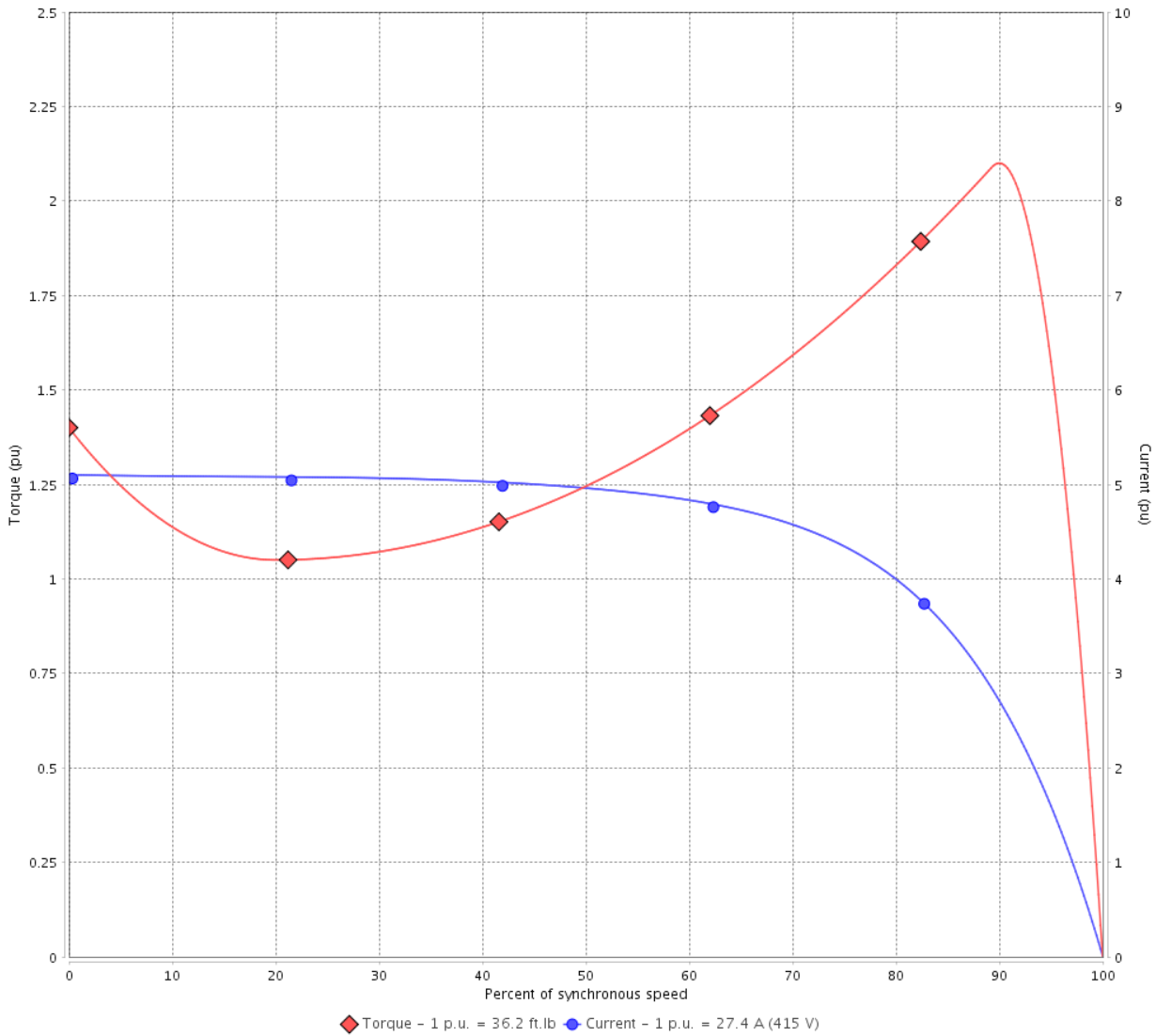
Customer :

Product line : NEMA Premium Efficiency Three-Phase

Product code : 12682876

Catalog # : 020360T3E254TC-S

TORQUE AND CURRENT VS SPEED CURVE



Performance : 220/415 V 50 Hz 2P

Rated current	: 51.7/27.4 A	Moment of inertia (J)	: 0.7848 sq.ft.lb
LRC	: 5.1	Duty cycle	: Cont.(S1)
Rated torque	: 36.2 ft.lb	Insulation class	: F
Locked rotor torque	: 140 %	Service factor	: 1.00
Breakdown torque	: 210 %	Temperature rise	: 80 K
Rated speed	: 2905 rpm	Design	: B

Locked rotor time : 0s (cold) 0s (hot)

Rev.	Changes Summary	Performed	Checked	Date
Performed by			Page 4 /	Revision
Checked by				
Date	14/04/2022			

LOAD PERFORMANCE CURVE

Three Phase Induction Motor - Squirrel Cage

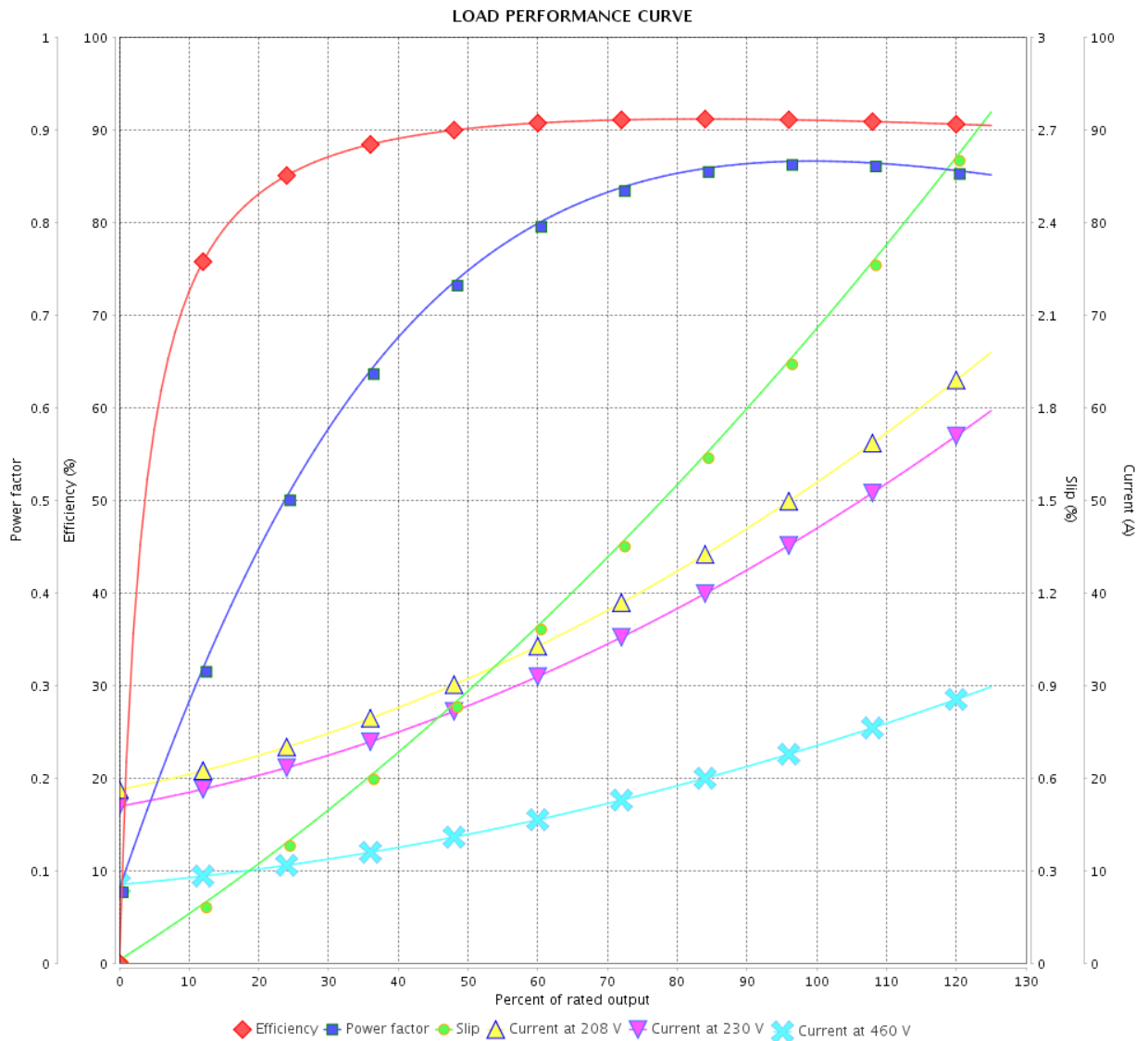


Customer : _____

Product line : NEMA Premium Efficiency Three-Phase

Product code : 12682876

Catalog # : 02036OT3E254TC-S



Performance : 230/460 V 60 Hz 2P

Rated current : 47.6/23.8 A
 LRC : 6.0
 Rated torque : 29.8 ft.lb
 Locked rotor torque : 180 %
 Breakdown torque : 240 %
 Rated speed : 3525 rpm

Moment of inertia (J) : 0.7848 sq.ft.lb
 Duty cycle : Cont.(S1)
 Insulation class : F
 Service factor : 1.15
 Temperature rise : 80 K
 Design : B

Rev.	Changes Summary	Performed	Checked	Date
Performed by			Page	Revision
Checked by				
Date				
			5 /	

LOAD PERFORMANCE CURVE

Three Phase Induction Motor - Squirrel Cage

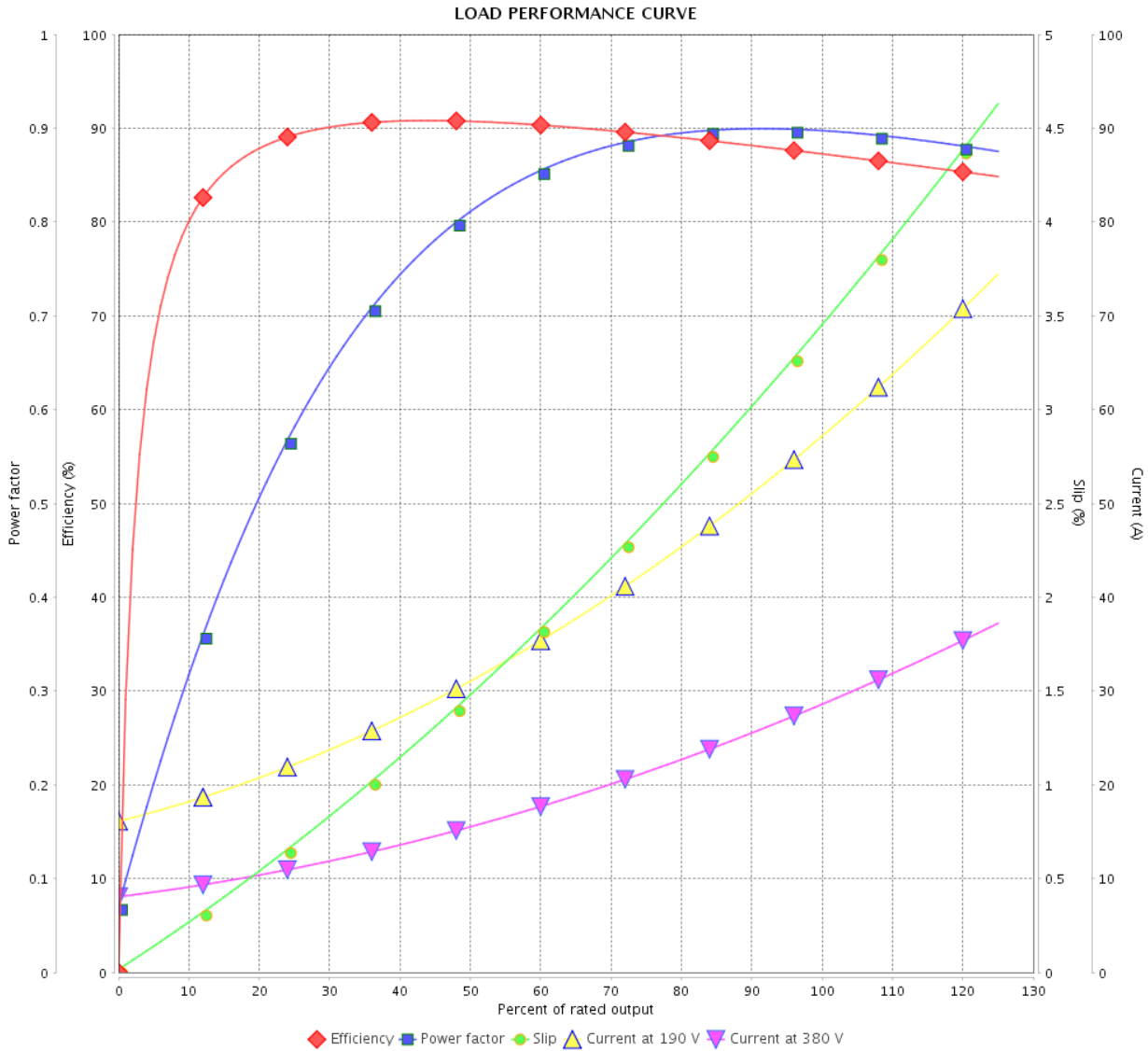


Customer :

Product line : NEMA Premium Efficiency Three-Phase

Product code : 12682876

Catalog # : 02036OT3E254TC-S



Performance : 190/380 V 50 Hz 2P

Rated current : 58.0/29.0 A
 LRC : 4.5
 Rated torque : 36.3 ft.lb
 Locked rotor torque : 130 %
 Breakdown torque : 190 %
 Rated speed : 2895 rpm

Moment of inertia (J) : 0.7848 sq.ft.lb
 Duty cycle : Cont.(S1)
 Insulation class : F
 Service factor : 1.00
 Temperature rise : 105 K
 Design : B

Rev.	Changes Summary	Performed	Checked	Date
Performed by			Page 6 /	Revision
Checked by				
Date	14/04/2022			

LOAD PERFORMANCE CURVE

Three Phase Induction Motor - Squirrel Cage

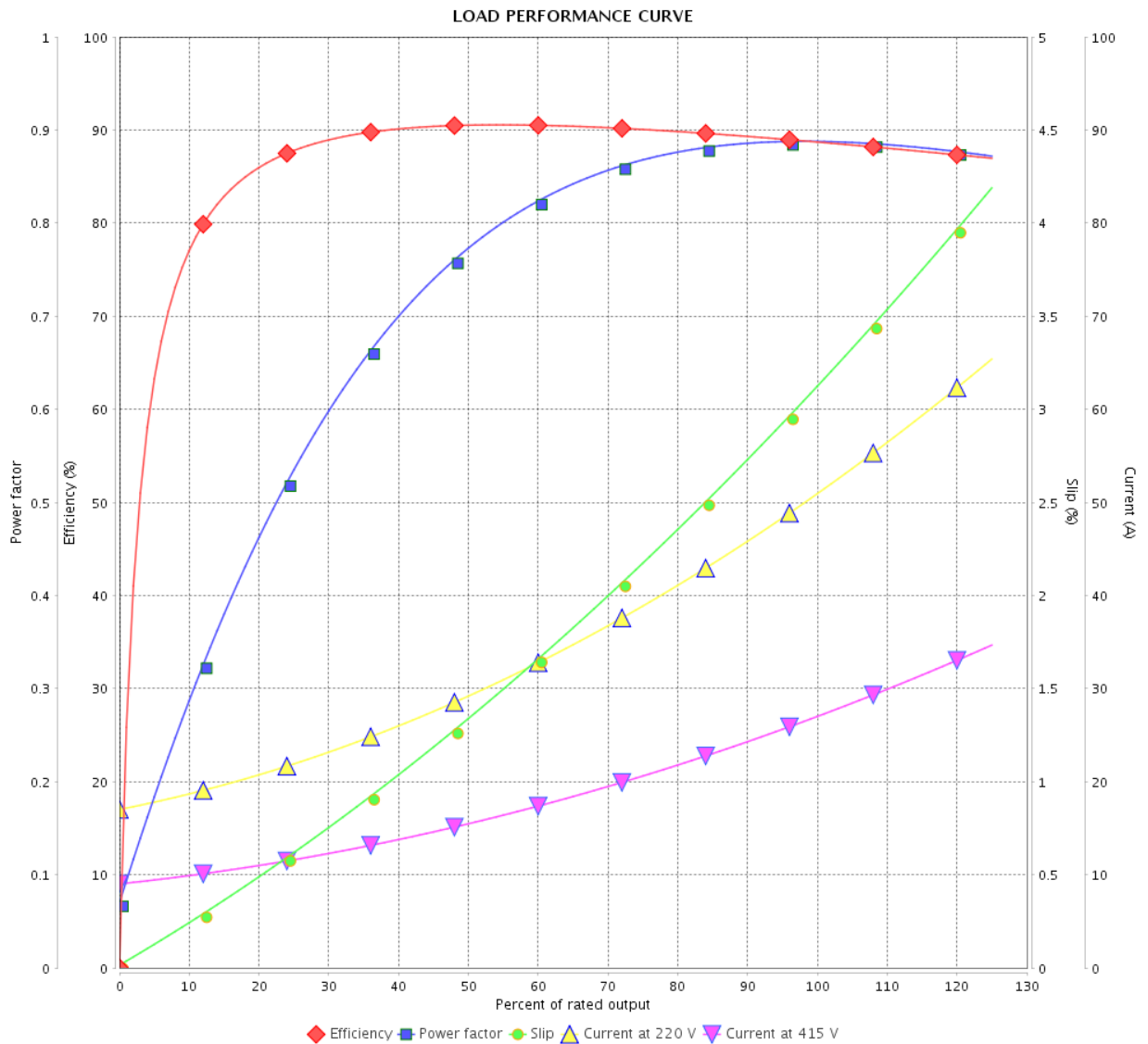


Customer : _____

Product line : NEMA Premium Efficiency Three-Phase

Product code : 12682876

Catalog # : 02036OT3E254TC-S



Performance : 220/415 V 50 Hz 2P

Rated current : 51.7/27.4 A
 LRC : 5.1
 Rated torque : 36.2 ft.lb
 Locked rotor torque : 140 %
 Breakdown torque : 210 %
 Rated speed : 2905 rpm

Moment of inertia (J) : 0.7848 sq.ft.lb
 Duty cycle : Cont.(S1)
 Insulation class : F
 Service factor : 1.00
 Temperature rise : 80 K
 Design : B

Rev.	Changes Summary	Performed	Checked	Date
Performed by		Page		Revision
Checked by		7 /		
Date		14/04/2022		

THERMAL LIMIT CURVE

Three Phase Induction Motor - Squirrel Cage



Customer :

Product line : NEMA Premium Efficiency Three-Phase
Product code : 12682876
Catalog # : 02036OT3E254TC-S

Performance : 230/460 V 60 Hz 2P

Rated current	: 47.6/23.8 A	Moment of inertia (J)	: 0.7848 sq.ft.lb
LRC	: 6.0	Duty cycle	: Cont.(S1)
Rated torque	: 29.8 ft.lb	Insulation class	: F
Locked rotor torque	: 180 %	Service factor	: 1.15
Breakdown torque	: 240 %	Temperature rise	: 80 K
Rated speed	: 3525 rpm	Design	: B

Heating constant

Cooling constant

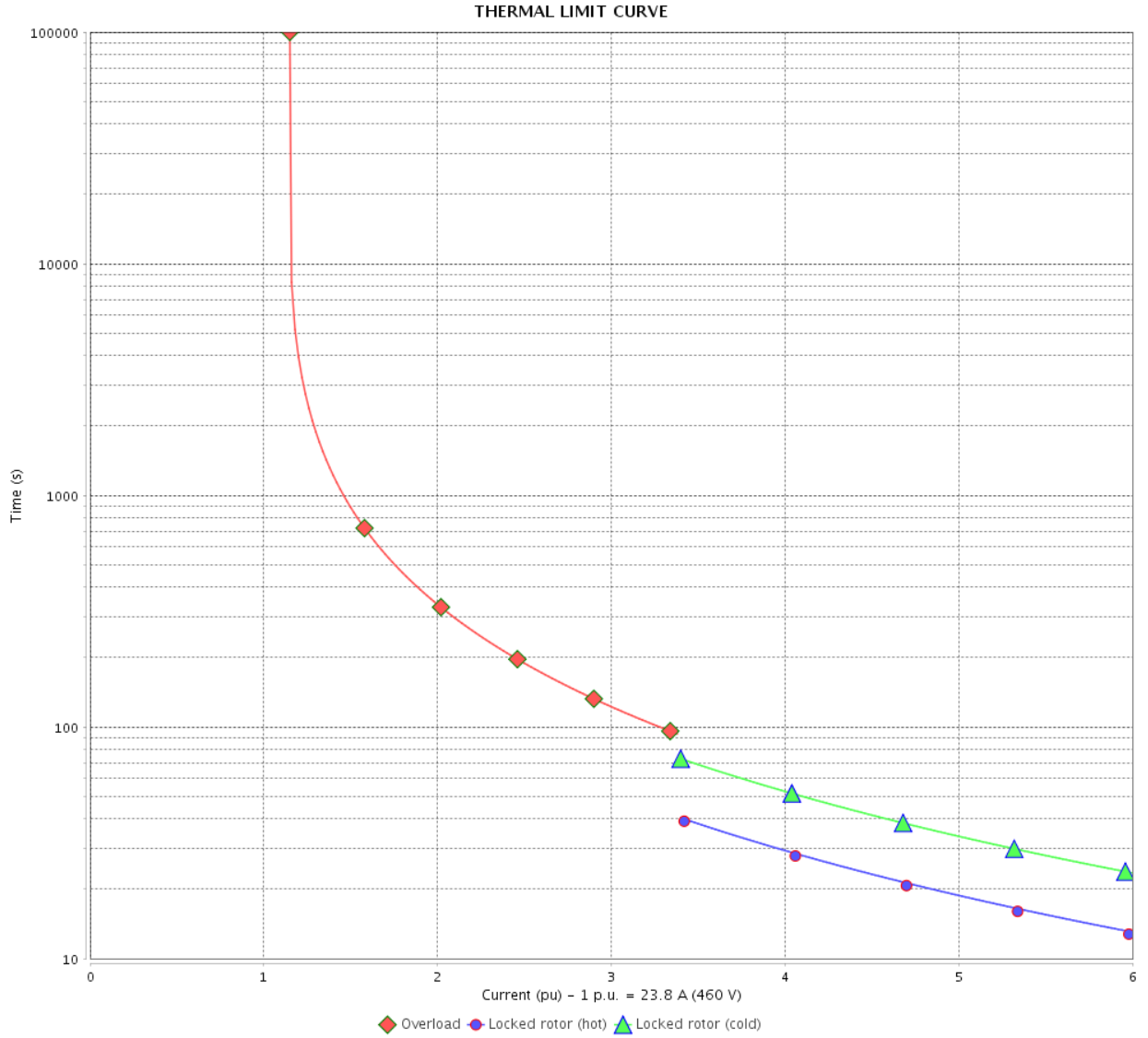
Rev.	Changes Summary	Performed	Checked	Date
Performed by				
Checked by			Page	Revision
Date	14/04/2022		8 /	

THERMAL LIMIT CURVE

Three Phase Induction Motor - Squirrel Cage



Customer : _____



Rev.	Changes Summary	Performed	Checked	Date
Performed by		Page		Revision
Checked by		9 /		
Date		14/04/2022		

THERMAL LIMIT CURVE



Three Phase Induction Motor - Squirrel Cage

Customer :

Product line : NEMA Premium Efficiency Three-Phase
Product code : 12682876
Catalog # : 02036OT3E254TC-S

Performance : 190/380 V 50 Hz 2P

Rated current	: 58.0/29.0 A	Moment of inertia (J)	: 0.7848 sq.ft.lb
LRC	: 4.5	Duty cycle	: Cont.(S1)
Rated torque	: 36.3 ft.lb	Insulation class	: F
Locked rotor torque	: 130 %	Service factor	: 1.00
Breakdown torque	: 190 %	Temperature rise	: 105 K
Rated speed	: 2895 rpm	Design	: B

Heating constant

Cooling constant

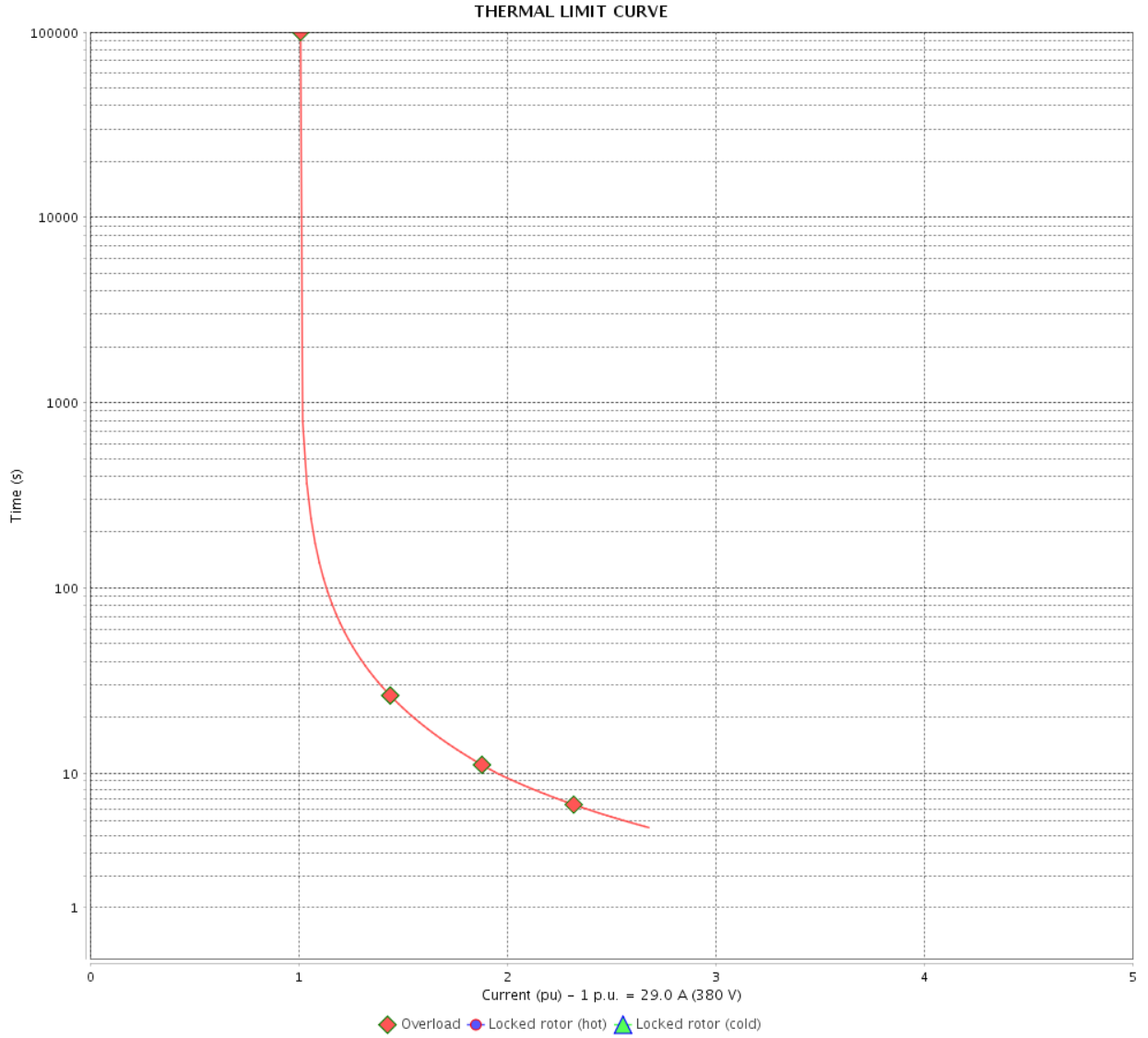
Rev.	Changes Summary	Performed	Checked	Date
Performed by				
Checked by			Page	Revision
Date	14/04/2022		10 /	

THERMAL LIMIT CURVE

Three Phase Induction Motor - Squirrel Cage



Customer : _____



Rev.	Changes Summary	Performed	Checked	Date
Performed by		Page		Revision
Checked by		11 /		
Date		14/04/2022		

THERMAL LIMIT CURVE



Three Phase Induction Motor - Squirrel Cage

Customer :

Product line : NEMA Premium Efficiency Three-Phase
Product code : 12682876
Catalog # : 02036OT3E254TC-S

Performance : 220/415 V 50 Hz 2P

Rated current	: 51.7/27.4 A	Moment of inertia (J)	: 0.7848 sq.ft.lb
LRC	: 5.1	Duty cycle	: Cont.(S1)
Rated torque	: 36.2 ft.lb	Insulation class	: F
Locked rotor torque	: 140 %	Service factor	: 1.00
Breakdown torque	: 210 %	Temperature rise	: 80 K
Rated speed	: 2905 rpm	Design	: B

Heating constant

Cooling constant

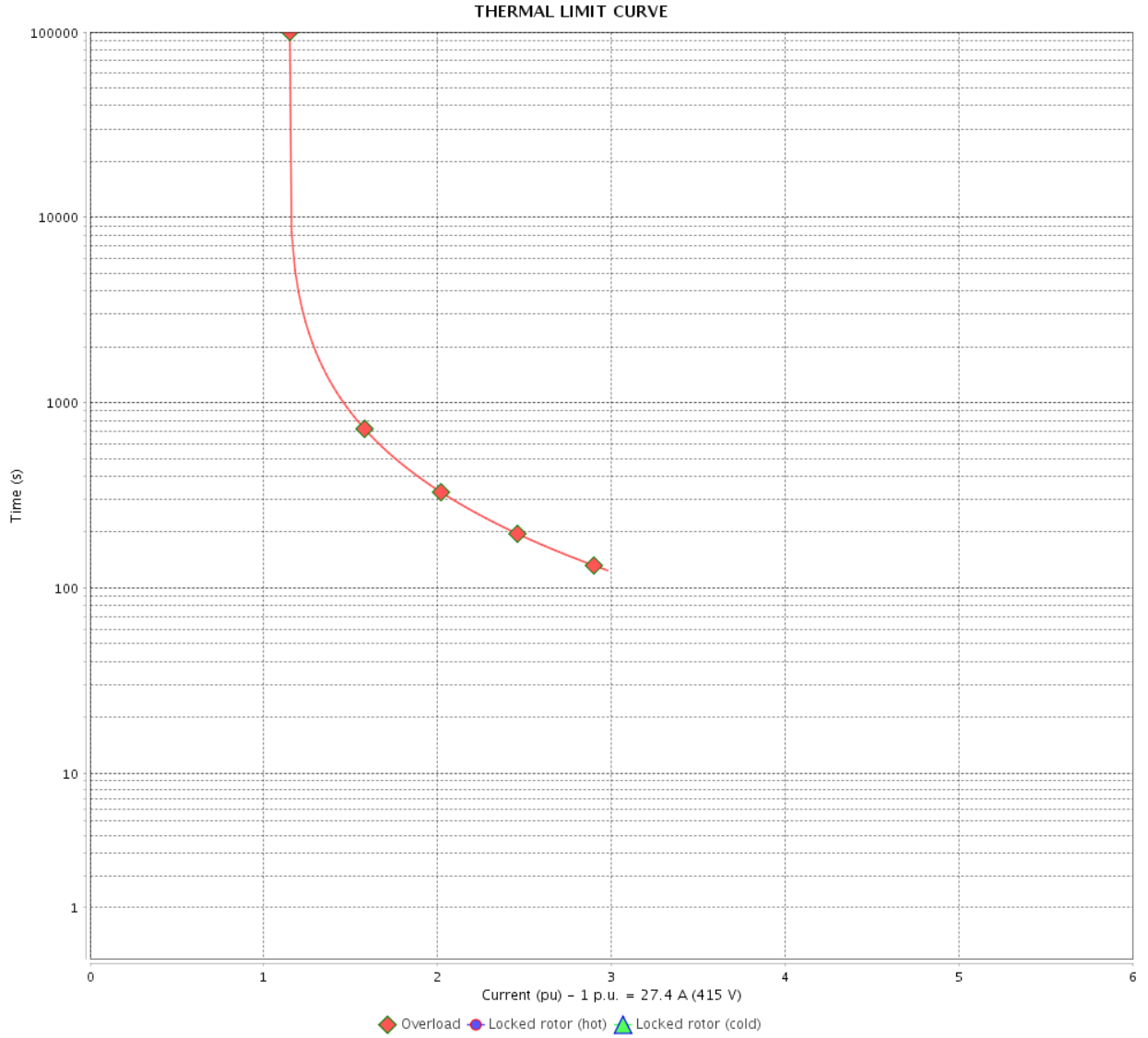
Rev.	Changes Summary	Performed	Checked	Date
Performed by				
Checked by			Page	Revision
Date	14/04/2022		12 /	

THERMAL LIMIT CURVE

Three Phase Induction Motor - Squirrel Cage



Customer : _____



Rev.	Changes Summary	Performed	Checked	Date
Performed by		Page		Revision
Checked by		13 /		
Date		14/04/2022		

VFD OPERATION CURVE

Three Phase Induction Motor - Squirrel Cage



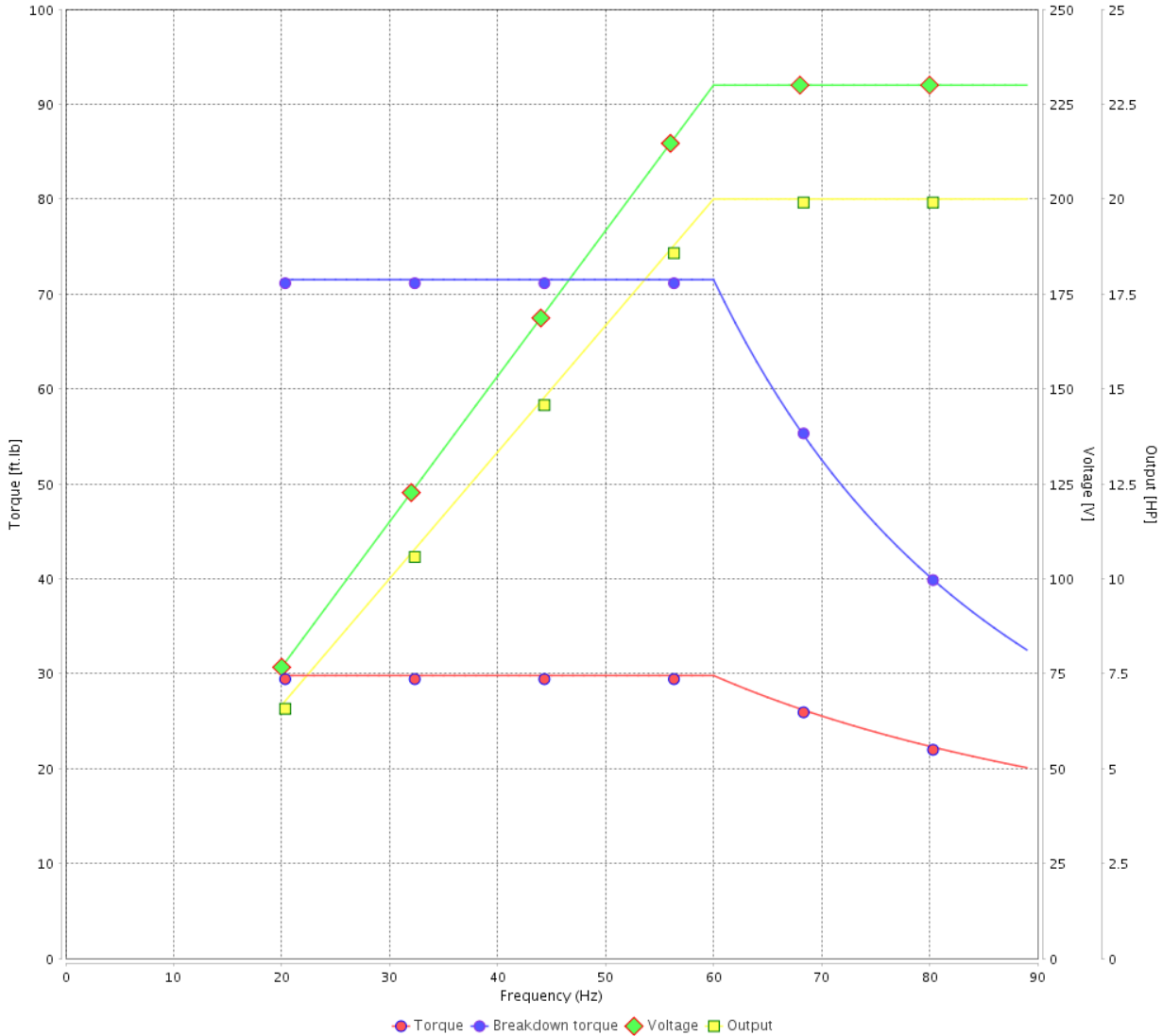
Customer :

Product line : NEMA Premium Efficiency Three-Phase

Product code : 12682876

Catalog # : 02036OT3E254TC-S

VFD OPERATION CURVE

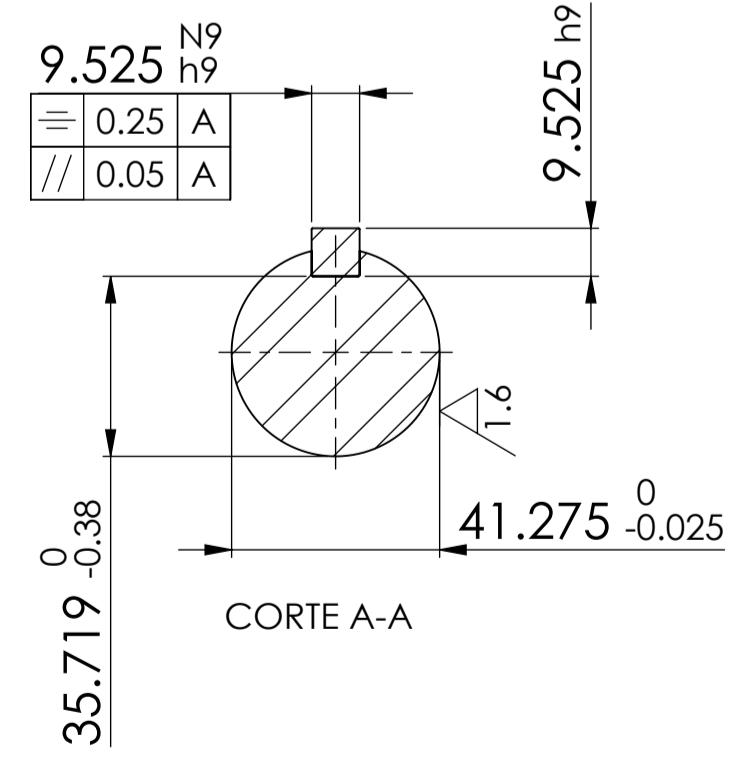
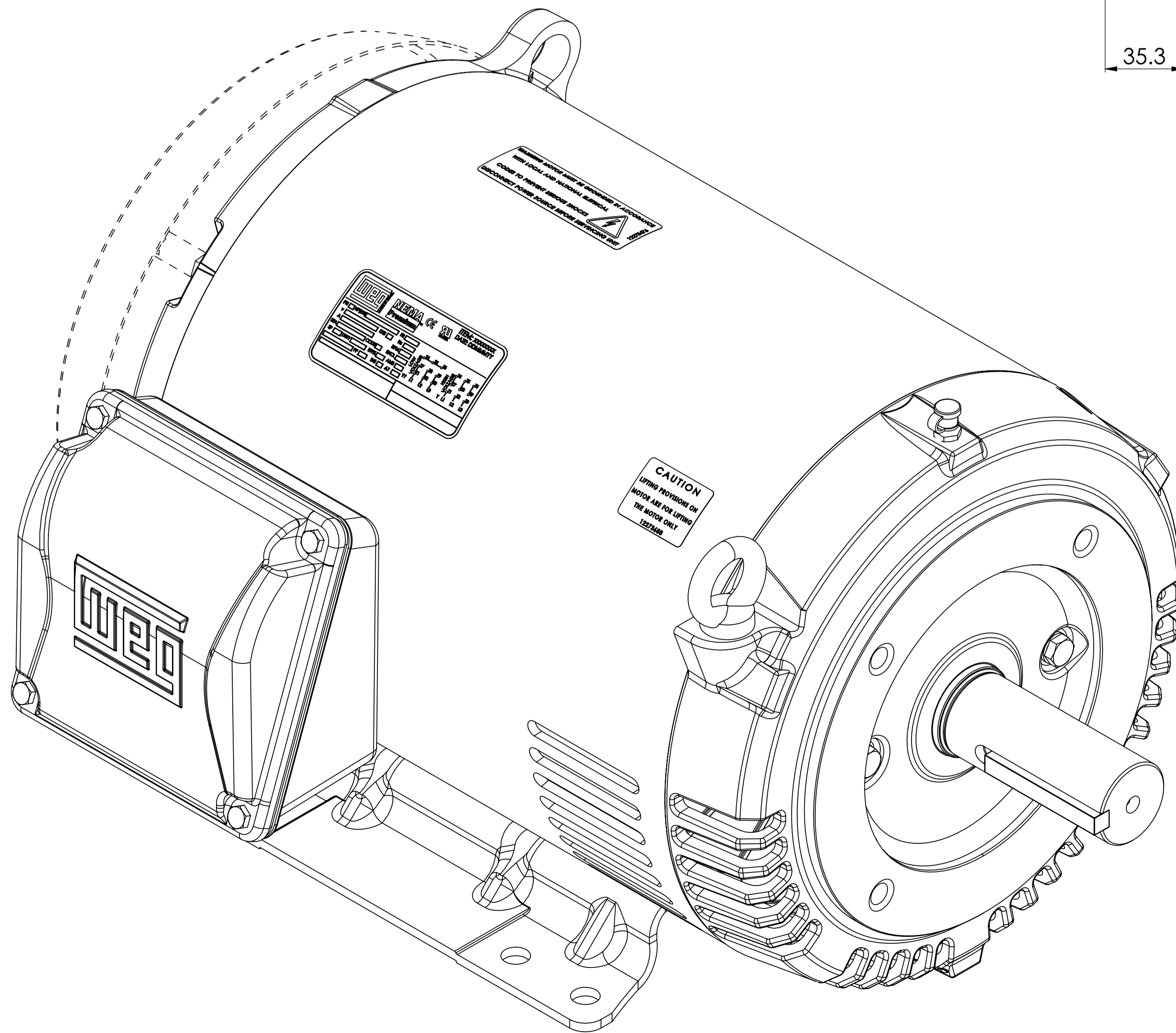
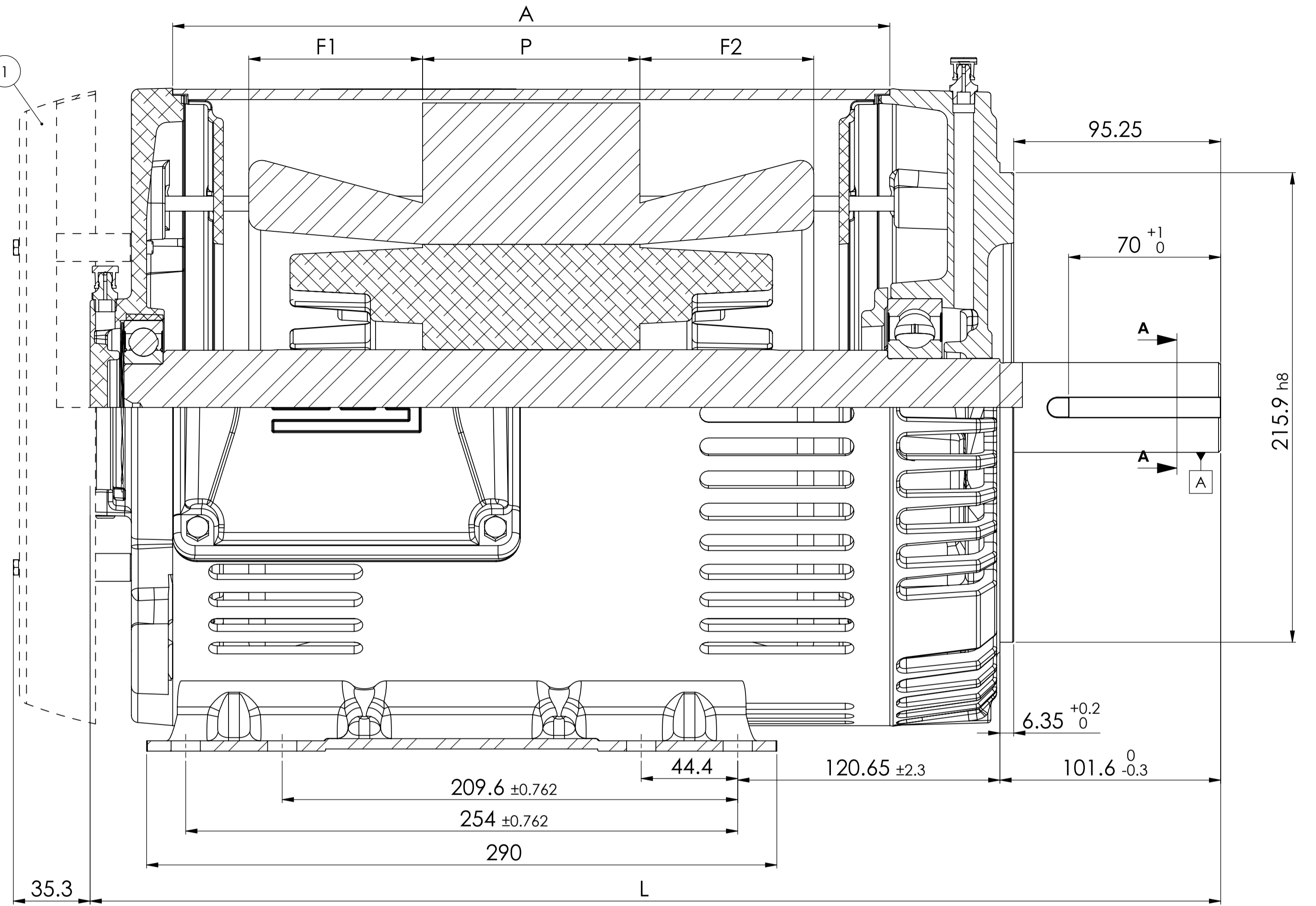
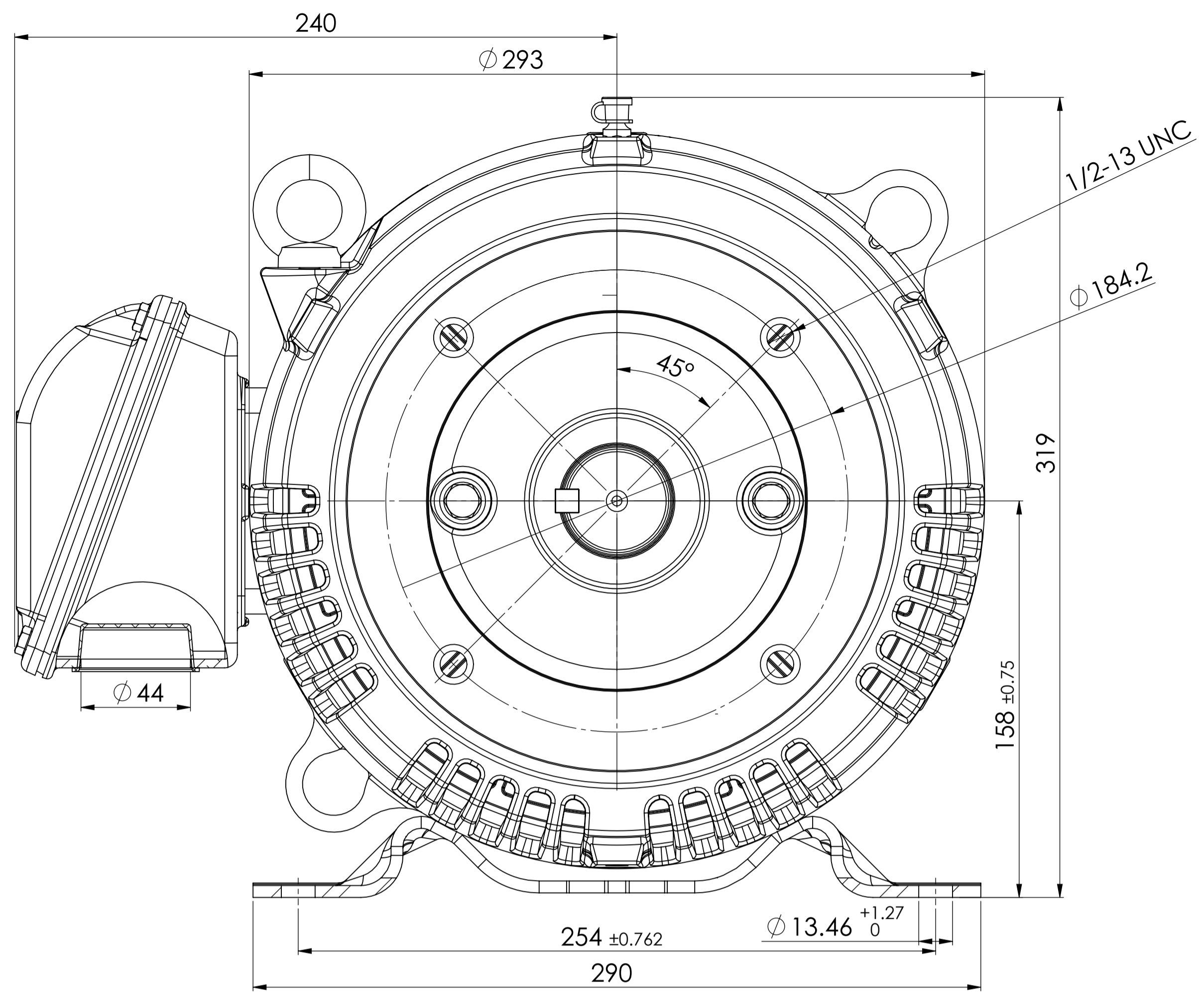


Performance : 230/460 V 60 Hz 2P

Rated current : 47.6/23.8 A
 LRC : 6.0
 Rated torque : 29.8 ft.lb
 Locked rotor torque : 180 %
 Breakdown torque : 240 %
 Rated speed : 3525 rpm

Moment of inertia (J) : 0.7848 sq.ft.lb
 Duty cycle : Cont.(S1)
 Insulation class : F
 Service factor : 1.15
 Temperature rise : 80 K
 Design : B

Rev.	Changes Summary	Performed	Checked	Date
Performed by			Page	Revision
Checked by				
Date				



Cabeça de Bobina	F1	F2
II	80	80
IV - VI	65	65

Cotas / Carcaça	330
A	330
P	80-150
L	520

1. SOMENTE QUANDO INDICADO NA LISTA TÉCNICA DO MOTOR

- BATIMENTO DO FLANGE CONFORME TBG-387
- BATIMENTO DO EIXO CONFORME TBG-178

MASSA BRUTA/GROSS WEIGHT	500001081712	REVISAO NORMA CABEÇA BOBINA	JROPELATO	ESCALA/SCALE	1:5
LIBER/RELEASED	JTOGNERI	ALT. CONF. CLAIM 413416105	PMAUERBERG	JHONATANP	02.09.2015 05
EXECUTADO/EXECUTED	RAFAELLOPES	RESUMO DE MODIFICAÇÕES/SUMMARY OF MODIFICATIONS	EXECUTADO/EXECUTED	ALISSON	16.05.2014 04
VERIFICADO/CHECKED	JTOGNERI	DIMENSIONAL 254 ODP FLANGE	VERIFICADO/CHECKED	LIBERADO/RELEASED	DATA/DATE
DT LIBER/REL DT	24.04.2013	WMO	JARAGUÁ DO SUL	DESENVOLVIMENTO DE PRODUTO	FOLH/SHEET 1 / 1
10002036006				000 05	

LIBERADO
CÓPIA SEM CONTROLE
SVD - A1

**NEMA
Premium**

MADE IN MEXICO

MAT: 12682876 CC029A

W01.T00IC0X0N

MODEL 020360T3E254TC-S

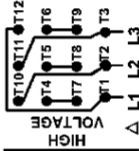
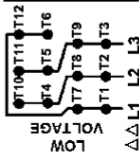
14MAR2022 S/N:

PH 3	Hz 60	HP 20
FR 254/6TC		KW 15
DUTY CONT.		V 230/460
ALT 1000 m.a.s.l.		A 47.6/23.8
INS CL F AT 80K		SFA 54.7/27.4
AMB 40°C	DES B	SF 1.15
ENCL ODP	CODE G	PF 0.87
USABLE @ 208V 52.8A		RPM 3525
SF1.00		NEMA NOM. EFF 91.0%

ALTERNATE RATING: 20HP 50Hz 190-220/380-415V SF1.00
 58.0-50.4/29.0-26.7A 2895RPM EFF 87.2% IEC 60034-1

Inverter duty motor For 80Hz use on VPWM 1000:1 VT, 3:1 CT

DE 6309-Z-C3	ODE 6208-Z-C3	MOBIL POLYREX EM	20000h
--------------	---------------	------------------	--------



T1-BLU T2-WHT
 T3-ORG T4-YEL
 T5-BLK T6-GRY
 T7-PNK T8-RED
 T9-BRK RED
 T10-CURRY
 T11-GRN T12-VLT

INTERCHANGE ANY TWO LINE WIRES TO REVERSE THE ROTATION



WARNING: Motor must be grounded in accordance with local and national electrical codes to prevent serious electrical shocks. Disconnect power source before servicing unit.



AVERTISSEMENT: Le moteur doit être mis à la terre

conformément aux codes électriques locaux et nationaux afin d'éviter tout choc électrique grave. Déconnectez l'alimentation avant l'entretien de la machine.

