



# TORQUE AND CURRENT VS SPEED CURVE

## Three Phase Induction Motor - Squirrel Cage



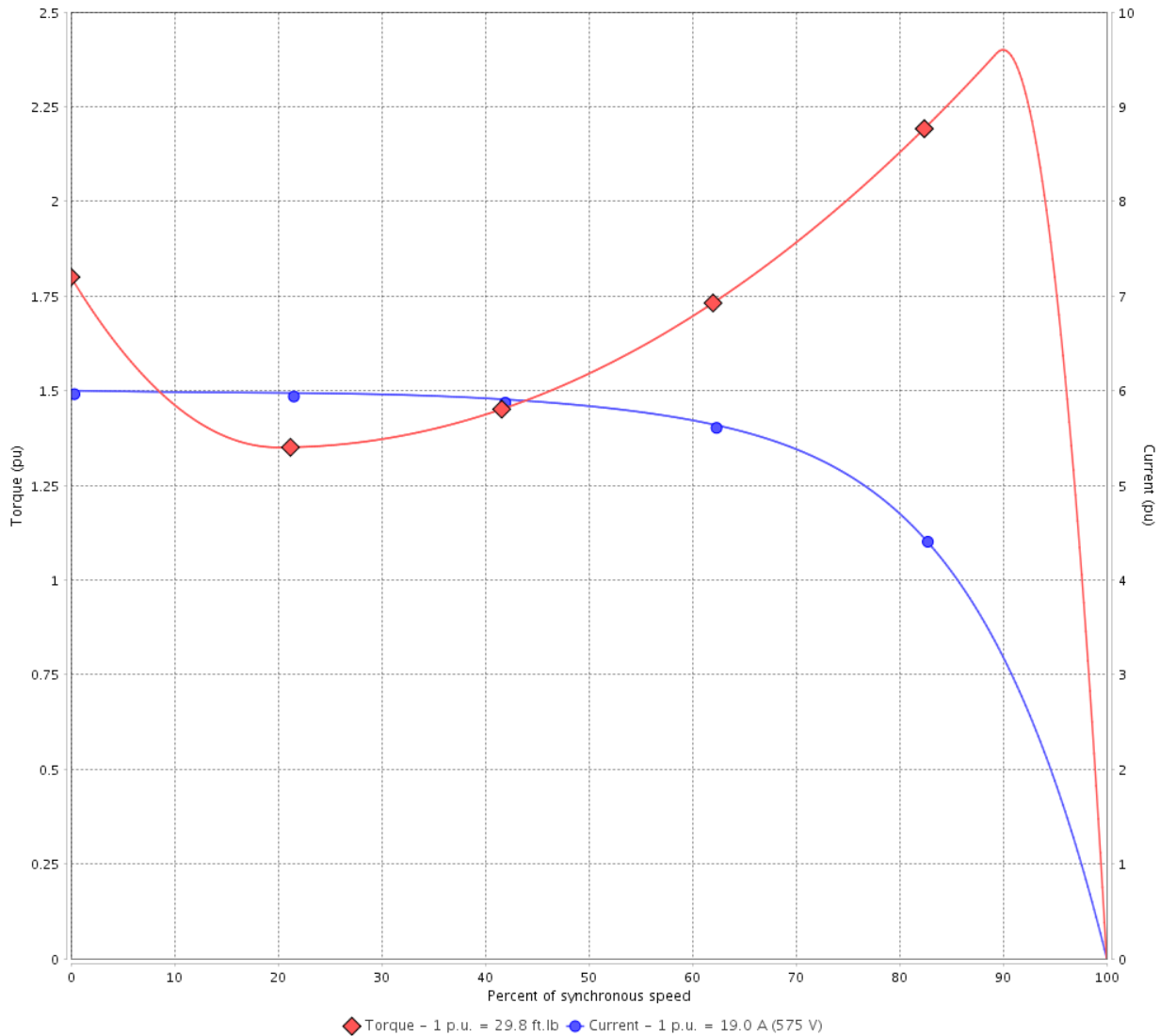
Customer :

Product line : JM Pump NEMA Premium  
Efficiency Three-Phase

Product code : 13500639

Catalog # : 02036OT3H254JMV-S

TORQUE AND CURRENT VS SPEED CURVE



Performance : 575 V 60 Hz 2P

Rated current	: 19.0 A	Moment of inertia (J)	: 0.7848 sq.ft.lb
LRC	: 6.0	Duty cycle	: Cont.(S1)
Rated torque	: 29.8 ft.lb	Insulation class	: F
Locked rotor torque	: 180 %	Service factor	: 1.15
Breakdown torque	: 240 %	Temperature rise	: 80 K
Rated speed	: 3525 rpm	Design	: B

Locked rotor time : 23s (cold) 13s (hot)

Rev.	Changes Summary	Performed	Checked	Date
Performed by			Page 2 / 6	Revision
Checked by				
Date	14/04/2022			

# LOAD PERFORMANCE CURVE

## Three Phase Induction Motor - Squirrel Cage

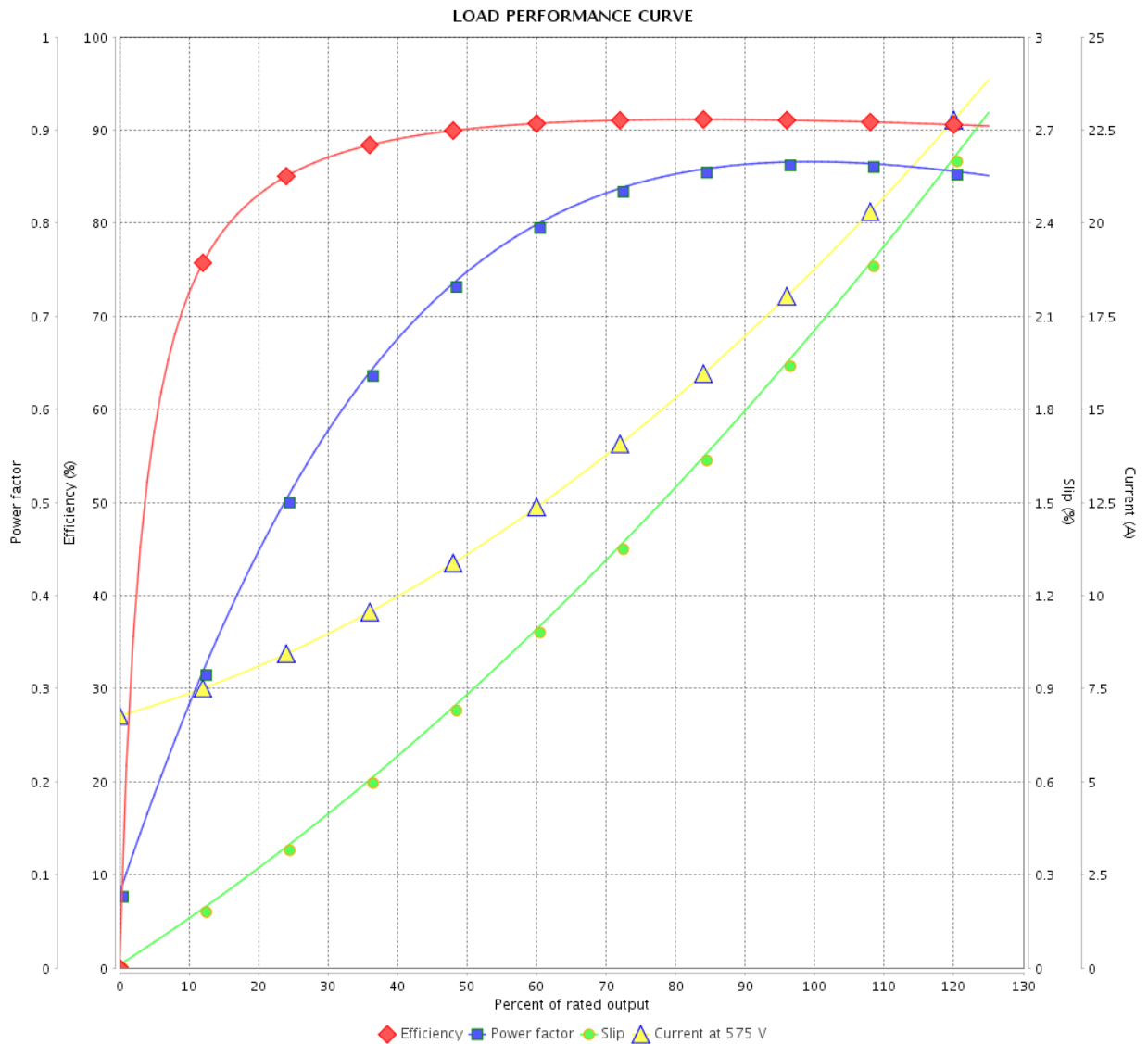


Customer :

Product line : JM Pump NEMA Premium Efficiency Three-Phase

Product code : 13500639

Catalog # : 02036OT3H254JMV-S



Performance : 575 V 60 Hz 2P

Rated current : 19.0 A  
 LRC : 6.0  
 Rated torque : 29.8 ft.lb  
 Locked rotor torque : 180 %  
 Breakdown torque : 240 %  
 Rated speed : 3525 rpm

Moment of inertia (J) : 0.7848 sq.ft.lb  
 Duty cycle : Cont.(S1)  
 Insulation class : F  
 Service factor : 1.15  
 Temperature rise : 80 K  
 Design : B

Rev.	Changes Summary	Performed	Checked	Date	
Performed by					
Checked by					
Date					14/04/2022
		Page	Revision		
		3 / 6			

# THERMAL LIMIT CURVE

## Three Phase Induction Motor - Squirrel Cage



Customer :

Product line : JM Pump NEMA Premium  
Efficiency Three-Phase

Product code : 13500639

Catalog # : 02036OT3H254JMV-S

Performance : 575 V 60 Hz 2P

Rated current : 19.0 A  
LRC : 6.0  
Rated torque : 29.8 ft.lb  
Locked rotor torque : 180 %  
Breakdown torque : 240 %  
Rated speed : 3525 rpm

Moment of inertia (J) : 0.7848 sq.ft.lb  
Duty cycle : Cont.(S1)  
Insulation class : F  
Service factor : 1.15  
Temperature rise : 80 K  
Design : B

Heating constant

Cooling constant

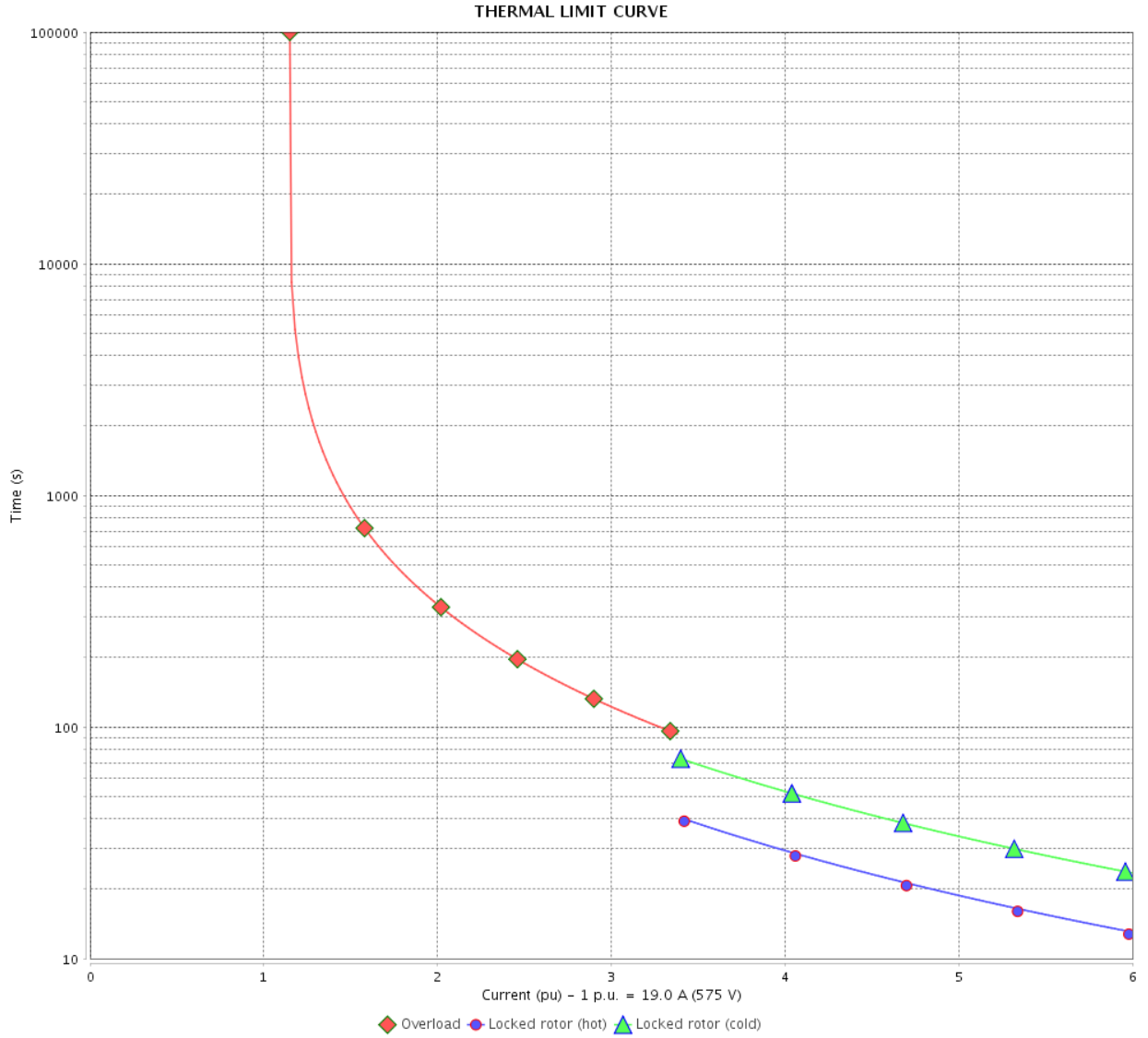
Rev.	Changes Summary	Performed	Checked	Date
Performed by				
Checked by			Page	Revision
Date	14/04/2022		4 / 6	

# THERMAL LIMIT CURVE

Three Phase Induction Motor - Squirrel Cage



Customer : \_\_\_\_\_



Rev.	Changes Summary	Performed	Checked	Date
Performed by		Page		Revision
Checked by				
Date				

# VFD OPERATION CURVE

Three Phase Induction Motor - Squirrel Cage

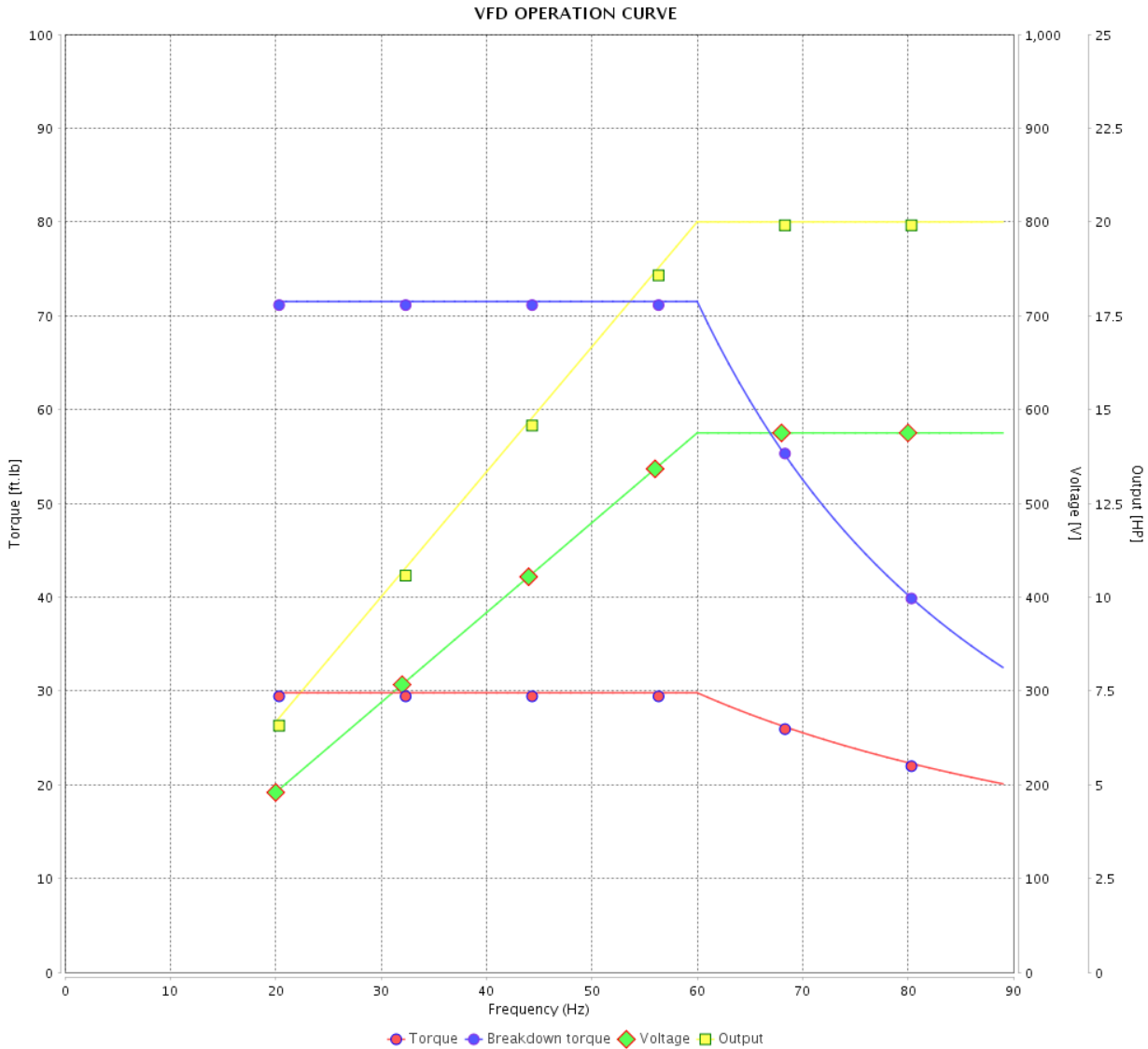


Customer :

Product line : JM Pump NEMA Premium Efficiency Three-Phase

Product code : 13500639

Catalog # : 02036OT3H254JMV-S



Performance : 575 V 60 Hz 2P

Rated current : 19.0 A  
 LRC : 6.0  
 Rated torque : 29.8 ft.lb  
 Locked rotor torque : 180 %  
 Breakdown torque : 240 %  
 Rated speed : 3525 rpm

Moment of inertia (J) : 0.7848 sq.ft.lb  
 Duty cycle : Cont.(S1)  
 Insulation class : F  
 Service factor : 1.15  
 Temperature rise : 80 K  
 Design : B

Rev.	Changes Summary	Performed	Checked	Date
Performed by			Page 6 / 6	Revision
Checked by				
Date	14/04/2022			

1 2 3 4 5 6

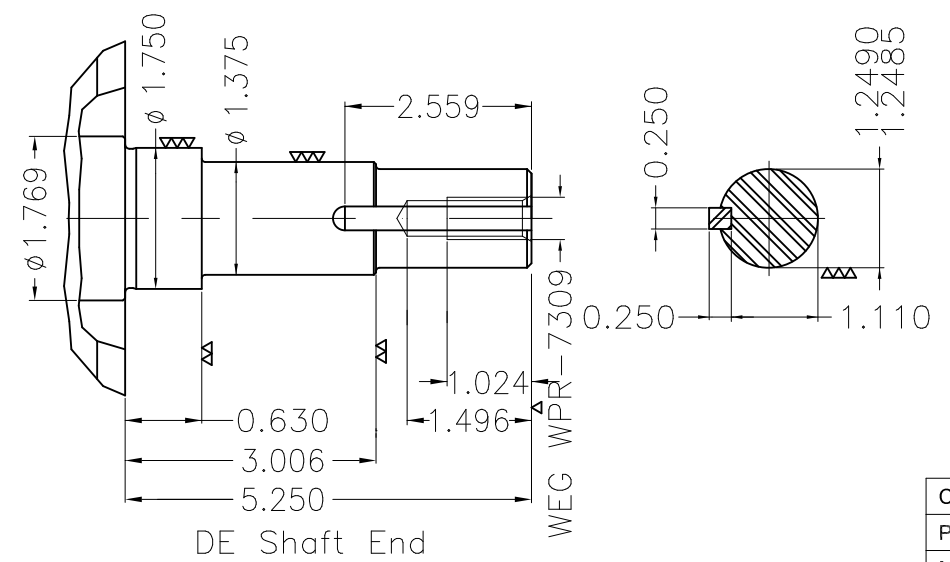
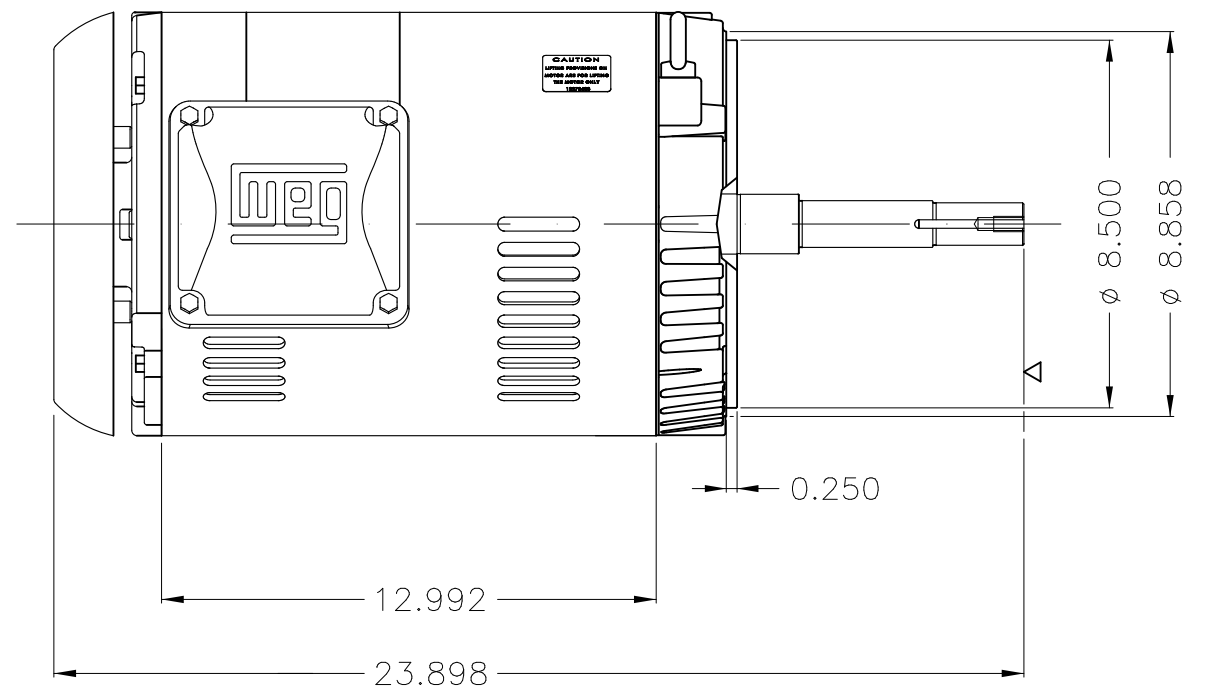
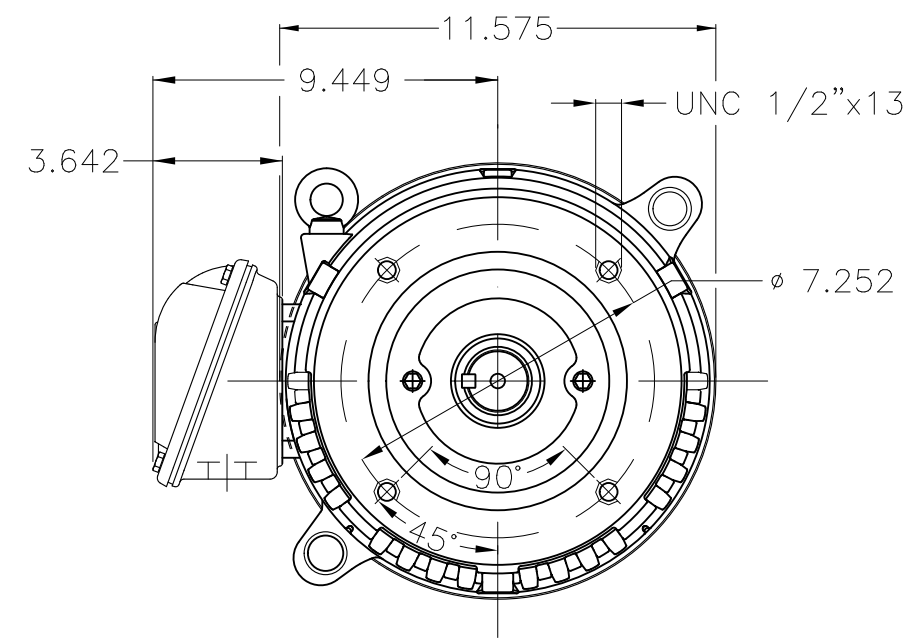
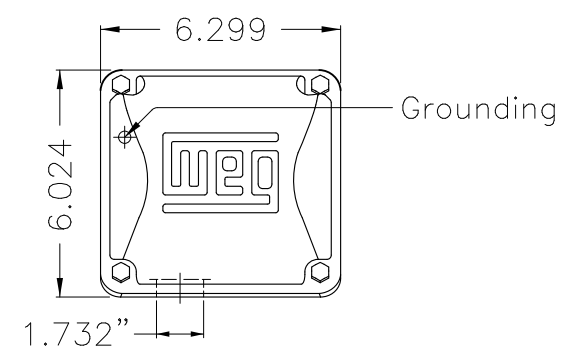
A

B

C

D

E



Dimensions in inches

Color Munsell N 1 matte black									
Painting plan 207N									
Mounting W-6/V18R(D)									
ECM	LOC	SUMMARY OF MODIFICATIONS			EXECUTED	CHECKED	RELEASED	DATE	VER
EXECUTED	PIRWBUSER	THREE PH. MOTOR ROLLED STEEL CLOSE COUPLED PUMP JM TYPE PSE 187							
CHECKED		FRAME 254/6JM IP21 ODP							
RELEASED									
REL DT.		WMO	Jaragua do Sul	Product Engineering					

**PREVIEW**

WDD



20 HP 02 Poles 60 Hz