

# DATA SHEET



## Three Phase Induction Motor - Squirrel Cage

Customer :																			
Product line : JP Pump NEMA Premium Efficiency Three-Phase	Product code : 13482986																		
	Catalog # : 02036OT3H254JPV-S																		
Frame : 254/6JP Output : 20 HP (15 kW) Poles : 2 Frequency : 60 Hz Rated voltage : 575 V Rated current : 19.0 A L. R. Amperes : 114 A LRC : 6.0x(Code G) No load current : 6.80 A Rated speed : 3525 rpm Slip : 2.08 % Rated torque : 29.8 ft.lb Locked rotor torque : 180 % Breakdown torque : 240 % Insulation class : F Service factor : 1.15 Moment of inertia (J) : 0.7848 sq.ft.lb Design : B	Locked rotor time : 23s (cold) 13s (hot) Temperature rise : 80 K Duty cycle : Cont.(S1) Ambient temperature : -20°C to +40°C Altitude : 1000 m.a.s.l. Cooling method : IC01 - ODP Mounting : W-6 Rotation <sup>1</sup> : Both (CW and CCW) Noise level <sup>2</sup> : 70.0 dB(A) Starting method : Direct On Line Approx. weight <sup>3</sup> : 178 lb																		
<table border="1" style="width:100%; border-collapse: collapse;"> <tr> <td>Output</td> <td>25%</td> <td>50%</td> <td>75%</td> <td>100%</td> </tr> <tr> <td>Efficiency (%)</td> <td>90.0</td> <td>90.2</td> <td>91.0</td> <td>91.0</td> </tr> <tr> <td>Power Factor</td> <td>0.49</td> <td>0.76</td> <td>0.83</td> <td>0.87</td> </tr> </table>	Output	25%	50%	75%	100%	Efficiency (%)	90.0	90.2	91.0	91.0	Power Factor	0.49	0.76	0.83	0.87	Foundation loads Max. traction : 254 lb Max. compression : 432 lb			
Output	25%	50%	75%	100%															
Efficiency (%)	90.0	90.2	91.0	91.0															
Power Factor	0.49	0.76	0.83	0.87															
<table border="1" style="width:100%; border-collapse: collapse;"> <tr> <td></td> <td style="text-align:center"><u>Drive end</u></td> <td style="text-align:center"><u>Non drive end</u></td> </tr> <tr> <td>Bearing type :</td> <td style="text-align:center">6309 Z C3</td> <td style="text-align:center">6208 Z C3</td> </tr> <tr> <td>Sealing :</td> <td style="text-align:center">Without Bearing Seal</td> <td style="text-align:center">Without Bearing Seal</td> </tr> <tr> <td>Lubrication interval :</td> <td style="text-align:center">15797 h</td> <td style="text-align:center">20000 h</td> </tr> <tr> <td>Lubricant amount :</td> <td style="text-align:center">13 g</td> <td style="text-align:center">8 g</td> </tr> <tr> <td>Lubricant type :</td> <td colspan="2" style="text-align:center">Mobil Polyrex EM</td> </tr> </table>		<u>Drive end</u>	<u>Non drive end</u>	Bearing type :	6309 Z C3	6208 Z C3	Sealing :	Without Bearing Seal	Without Bearing Seal	Lubrication interval :	15797 h	20000 h	Lubricant amount :	13 g	8 g	Lubricant type :	Mobil Polyrex EM		
	<u>Drive end</u>	<u>Non drive end</u>																	
Bearing type :	6309 Z C3	6208 Z C3																	
Sealing :	Without Bearing Seal	Without Bearing Seal																	
Lubrication interval :	15797 h	20000 h																	
Lubricant amount :	13 g	8 g																	
Lubricant type :	Mobil Polyrex EM																		
Notes																			
This revision replaces and cancel the previous one, which must be eliminated. (1) Looking the motor from the shaft end. (2) Measured at 1m and with tolerance of +3dB(A). (3) Approximate weight subject to changes after manufacturing process. (4) At 100% of full load.	These are average values based on tests with sinusoidal power supply, subject to the tolerances stipulated in NEMA MG-1.																		
Rev.	Changes Summary	Performed	Checked	Date															
Performed by																			
Checked by			Page	Revision															
Date	14/04/2022		1 / 6																

# TORQUE AND CURRENT VS SPEED CURVE

## Three Phase Induction Motor - Squirrel Cage



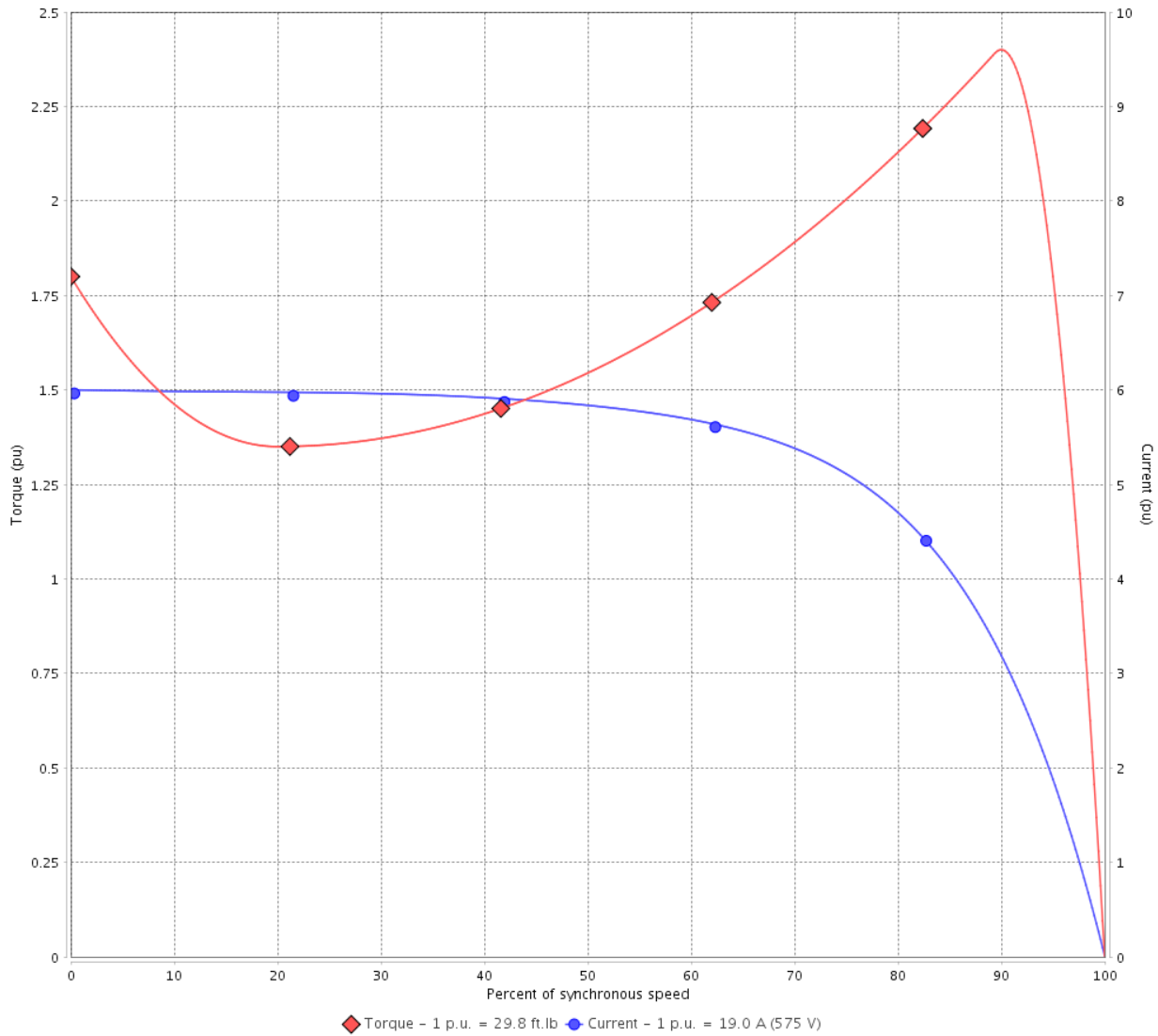
Customer :

Product line : JP Pump NEMA Premium  
Efficiency Three-Phase

Product code : 13482986

Catalog # : 02036OT3H254JPV-S

TORQUE AND CURRENT VS SPEED CURVE



Performance : 575 V 60 Hz 2P

Rated current	: 19.0 A	Moment of inertia (J)	: 0.7848 sq.ft.lb
LRC	: 6.0	Duty cycle	: Cont.(S1)
Rated torque	: 29.8 ft.lb	Insulation class	: F
Locked rotor torque	: 180 %	Service factor	: 1.15
Breakdown torque	: 240 %	Temperature rise	: 80 K
Rated speed	: 3525 rpm	Design	: B

Locked rotor time : 23s (cold) 13s (hot)

Rev.	Changes Summary	Performed	Checked	Date
Performed by			Page 2 / 6	Revision
Checked by				
Date	14/04/2022			

# LOAD PERFORMANCE CURVE

## Three Phase Induction Motor - Squirrel Cage

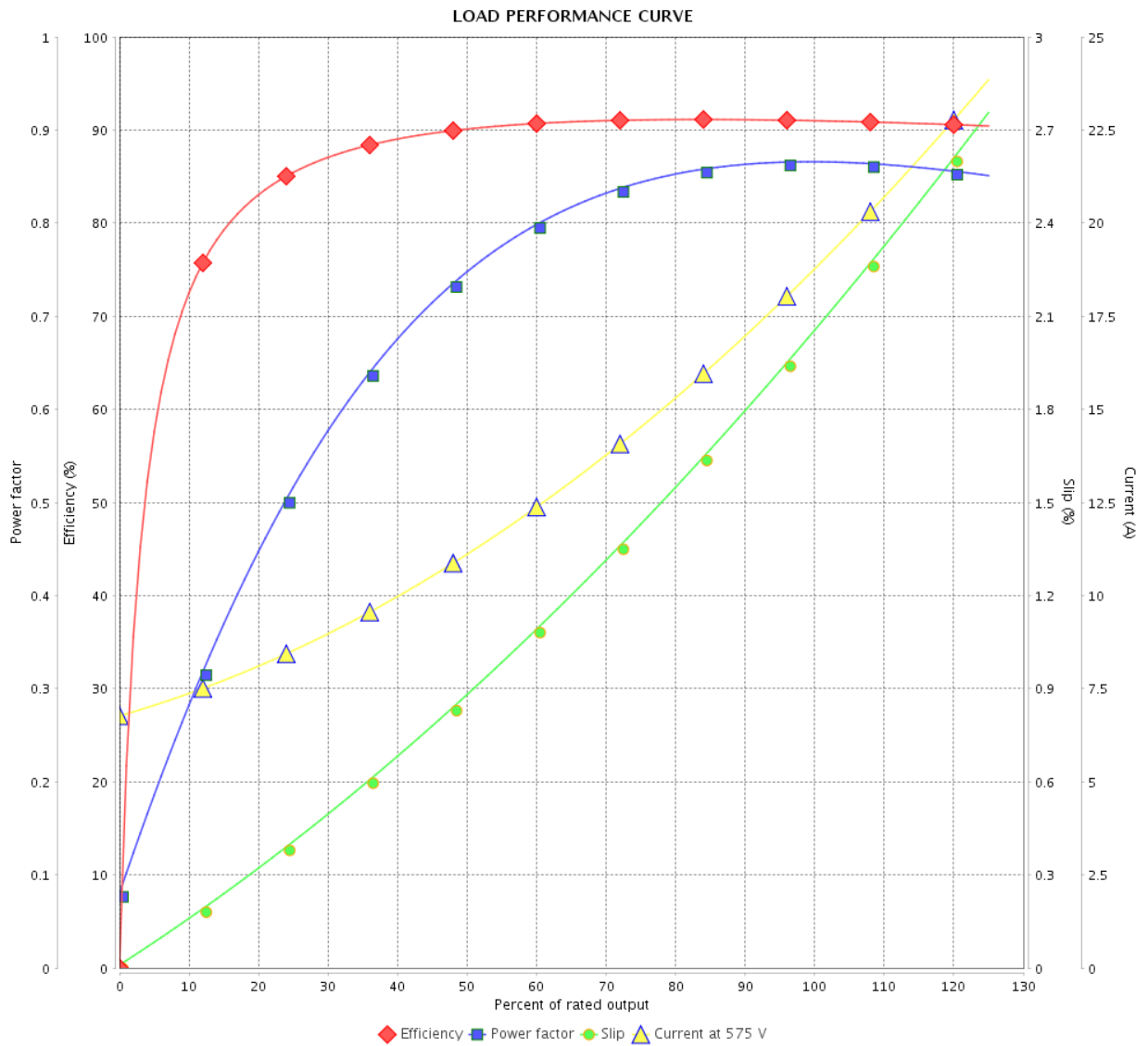


Customer :

Product line : JP Pump NEMA Premium Efficiency Three-Phase

Product code : 13482986

Catalog # : 02036OT3H254JPV-S



Performance : 575 V 60 Hz 2P

Rated current : 19.0 A  
 LRC : 6.0  
 Rated torque : 29.8 ft.lb  
 Locked rotor torque : 180 %  
 Breakdown torque : 240 %  
 Rated speed : 3525 rpm

Moment of inertia (J) : 0.7848 sq.ft.lb  
 Duty cycle : Cont.(S1)  
 Insulation class : F  
 Service factor : 1.15  
 Temperature rise : 80 K  
 Design : B

Rev.	Changes Summary	Performed	Checked	Date	
Performed by					
Checked by					
Date					14/04/2022
		Page	Revision		
		3 / 6			

# THERMAL LIMIT CURVE

## Three Phase Induction Motor - Squirrel Cage



Customer :

Product line : JP Pump NEMA Premium  
Efficiency Three-Phase

Product code : 13482986

Catalog # : 02036OT3H254JPV-S

Performance : 575 V 60 Hz 2P

Rated current : 19.0 A  
LRC : 6.0  
Rated torque : 29.8 ft.lb  
Locked rotor torque : 180 %  
Breakdown torque : 240 %  
Rated speed : 3525 rpm

Moment of inertia (J) : 0.7848 sq.ft.lb  
Duty cycle : Cont.(S1)  
Insulation class : F  
Service factor : 1.15  
Temperature rise : 80 K  
Design : B

Heating constant

Cooling constant

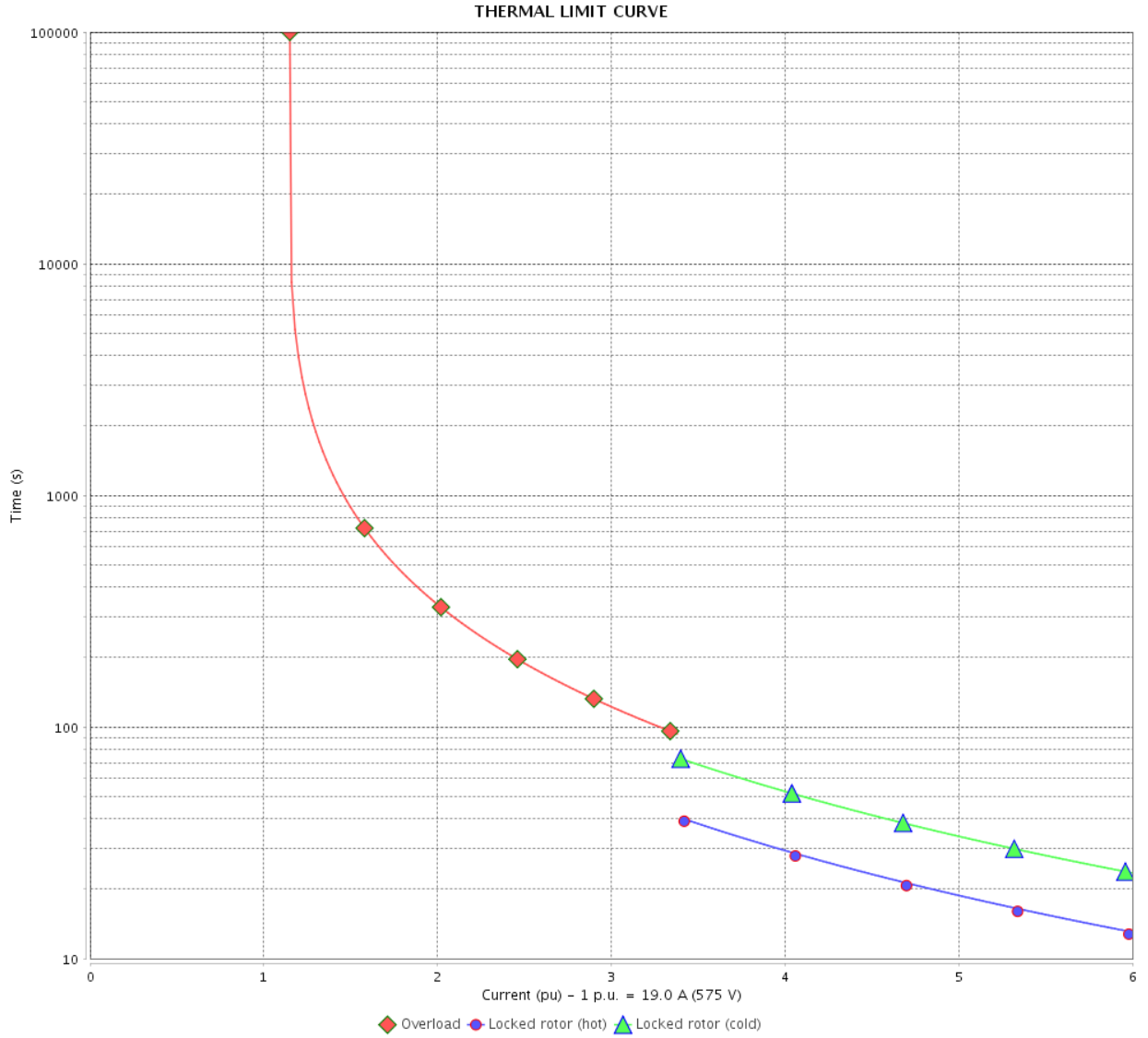
Rev.	Changes Summary	Performed	Checked	Date
Performed by				
Checked by			Page	Revision
Date	14/04/2022		4 / 6	

# THERMAL LIMIT CURVE

Three Phase Induction Motor - Squirrel Cage



Customer : \_\_\_\_\_



Rev.	Changes Summary	Performed	Checked	Date
Performed by		Page 5 / 6		Revision
Checked by				
Date				

# VFD OPERATION CURVE

Three Phase Induction Motor - Squirrel Cage

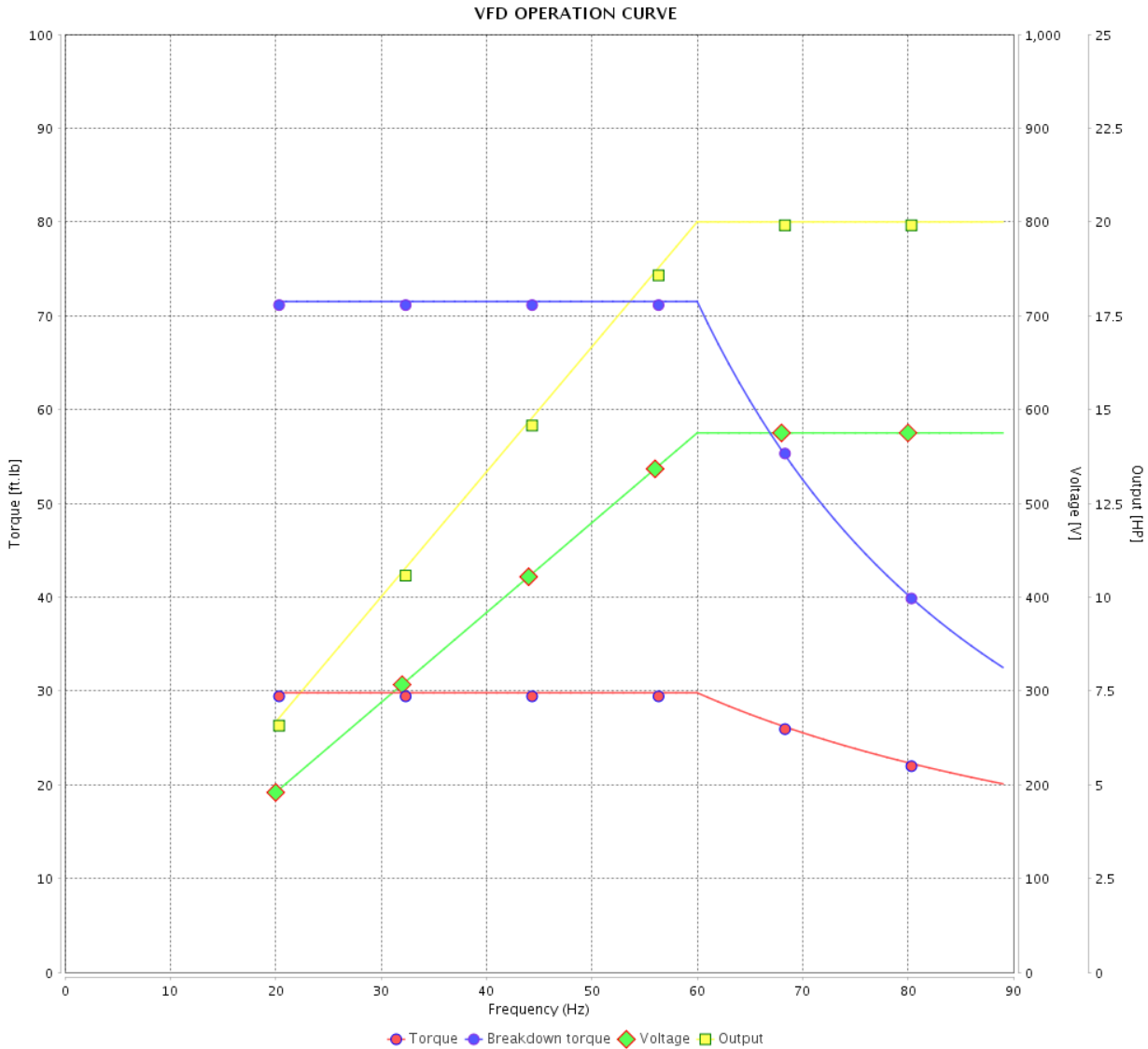


Customer :

Product line : JP Pump NEMA Premium Efficiency Three-Phase

Product code : 13482986

Catalog # : 02036OT3H254JPV-S



Performance : 575 V 60 Hz 2P

Rated current : 19.0 A  
 LRC : 6.0  
 Rated torque : 29.8 ft.lb  
 Locked rotor torque : 180 %  
 Breakdown torque : 240 %  
 Rated speed : 3525 rpm

Moment of inertia (J) : 0.7848 sq.ft.lb  
 Duty cycle : Cont.(S1)  
 Insulation class : F  
 Service factor : 1.15  
 Temperature rise : 80 K  
 Design : B

Rev.	Changes Summary	Performed	Checked	Date
Performed by			Page	Revision
Checked by				
Date				

1 2 3 4 5 6

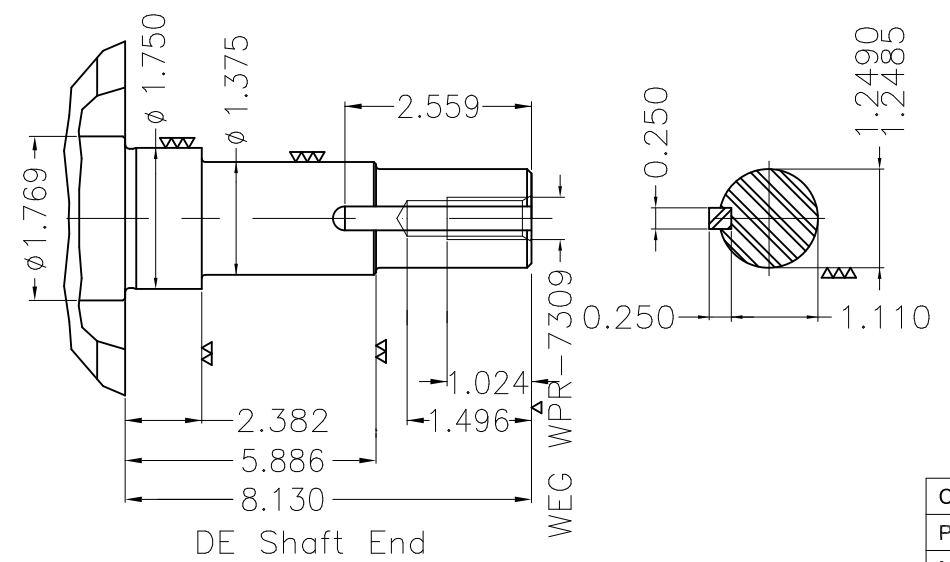
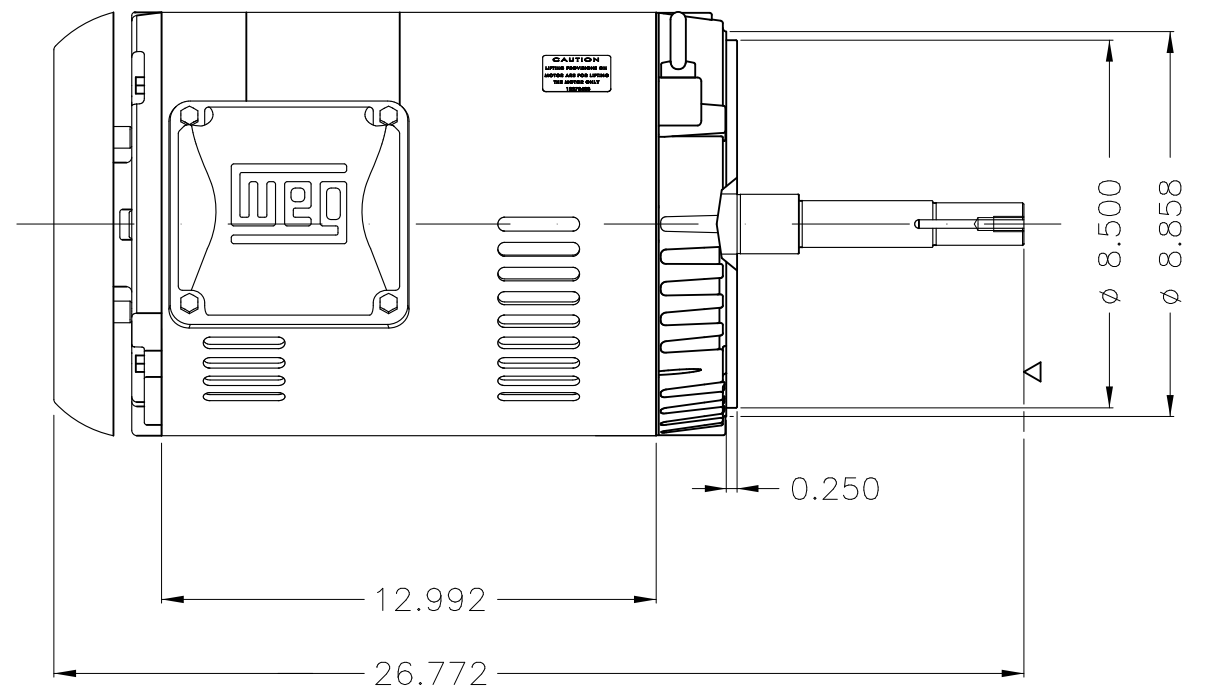
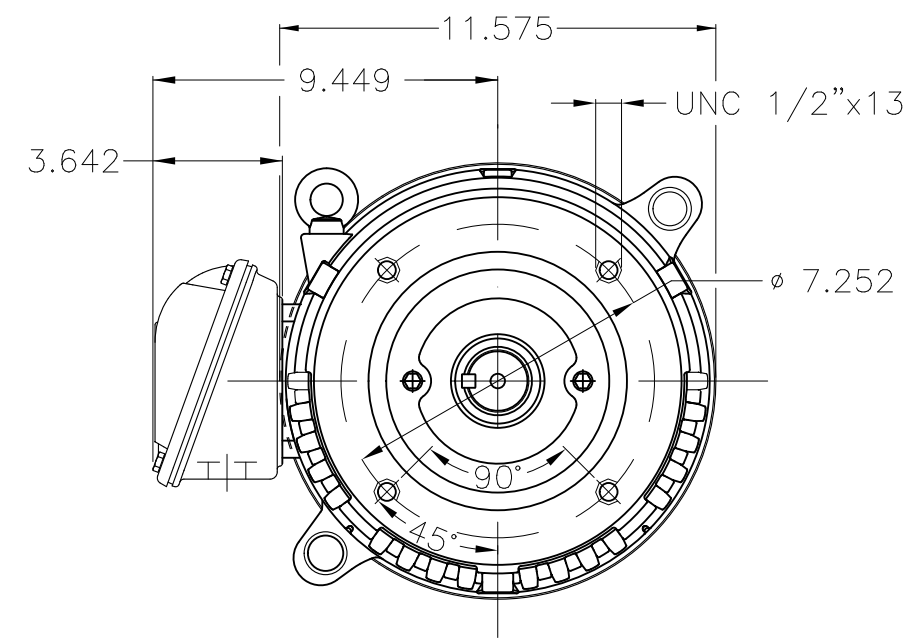
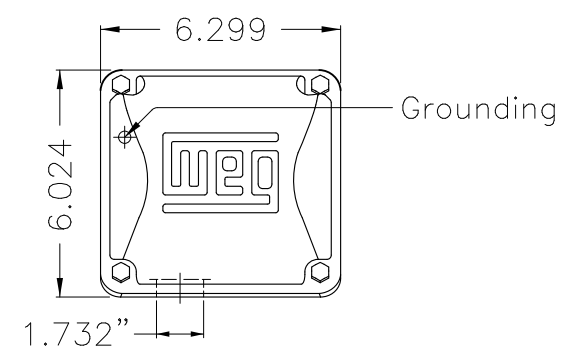
A

B

C

D

E



EUNC 1/2"-13 WEG WPR-7309

Color Munsell N 1 matte black									
Painting plan 207N									
Mounting W-6/V18R(D)									
ECM	LOC	SUMMARY OF MODIFICATIONS			EXECUTED	CHECKED	RELEASED	DATE	VER
EXECUTED	PIRBUSER	THREE PH. MOTOR ROLLED STEEL CLOSE COUPLED PUMP JP 3/4 DE PREM LTT							
CHECKED		FRAME 254/6JP IP21 ODP							
RELEASED									
REL DT.		WMO	Jaragua do Sul	Product Engineering					

**PREVIEW**  
WDD



20 HP 02 Poles 60 Hz

Dimensions in inches XME A3

**WEG**  
**NEMA**  
**Premium**3PT9  
US LISTED

Energy Verified

MADE IN MEXICO

MAT: 13482986 CC029A

W01.T00IC0X0N

MODEL 020360T3H254JPV-S

07JAN2019 S/N:

PH 3 FR 254/6JP |HP(kW) 20(15) |Hz 60

V 575

RPM 3525

A 19.0

DUTY CONT.

SFA 21.8

CODE G

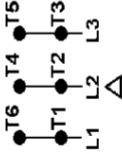
DES B

ODP

SF 1.15 |INS CL F  $\Delta$ T 80K |AMB 40°C |ENCL

ALT 1000 m.a.s.l. |NEMA NOM.EFF. 91.0% |PF 0.87

ALTERNATE RATING:

T1-BLU T2-WHT  
T3-ORG T4-YEL  
T5-BLK T6-GRY

INTERCHANGE ANY TWO LINE WIRES TO REVERSE THE ROTATION

Inverter duty For use on VPWM 1000:1 VT, 3:1 CT

DE: 6309-Z-C3 ODE: 6208-Z-C3 MOBIL POLYREX EM 15797h

WARNING: Motor must be grounded in accordance with local and national electrical codes to prevent serious electrical shocks. Disconnect power source before servicing unit.

AVERTISSEMENT: Le moteur doit être mis à la terre conformément aux codes électriques locaux et nationaux afin d'éviter tout choc électrique grave. Déconnectez l'alimentation avant l'entretien de la machine.

