

# DATA SHEET



## Three Phase Induction Motor - Squirrel Cage

Customer :				
Product line	: W40 NEMA Premium Efficiency Three-Phase	Product code :	14495003	
		Catalog # :	02036OT3H254T-W40	
Frame	: 254T	Locked rotor time	: 21s (cold) 12s (hot)	
Output	: 20 HP (15 kW)	Temperature rise	: 80 K	
Poles	: 2	Duty cycle	: Cont.(S1)	
Frequency	: 60 Hz	Ambient temperature	: -20°C to +40°C	
Rated voltage	: 575 V	Altitude	: 1000 m.a.s.l.	
Rated current	: 19.4 A	Protection degree	: IP23	
L. R. Amperes	: 122 A	Cooling method	: IC01 - ODP	
LRC	: 6.3x(Code G)	Mounting	: F-1	
No load current	: 6.72 A	Rotation <sup>1</sup>	: Both (CW and CCW)	
Rated speed	: 3535 rpm	Starting method	: Direct On Line	
Slip	: 1.81 %	Approx. weight <sup>3</sup>	: 221 lb	
Rated torque	: 29.7 ft.lb			
Locked rotor torque	: 200 %			
Breakdown torque	: 280 %			
Insulation class	: F			
Service factor	: 1.25			
Moment of inertia (J)	: 0.8718 sq.ft.lb			
Design	: B			
Output	25%    50%    75%    100%	Foundation loads		
Efficiency (%)	90.0    90.2    91.0    91.0	Max. traction		
Power Factor	0.48    0.72    0.82    0.85	Max. compression		
		<u>Drive end</u>	<u>Non drive end</u>	
Bearing type	:	6309 Z C3	6209 Z C3	
Sealing	:	Without Bearing Seal	Without Bearing Seal	
Lubrication interval	:	20000 h	20000 h	
Lubricant amount	:	13 g	9 g	
Lubricant type	:	Mobil Polyrex EM		
Notes				
This revision replaces and cancel the previous one, which must be eliminated. (1) Looking the motor from the shaft end. (2) Measured at 1m and with tolerance of +3dB(A). (3) Approximate weight subject to changes after manufacturing process. (4) At 100% of full load.		These are average values based on tests with sinusoidal power supply, subject to the tolerances stipulated in NEMA MG-1.		
Rev.	Changes Summary	Performed	Checked	Date
Performed by				
Checked by			Page	Revision
Date	14/04/2022		1 / 6	

# TORQUE AND CURRENT VS SPEED CURVE

Three Phase Induction Motor - Squirrel Cage



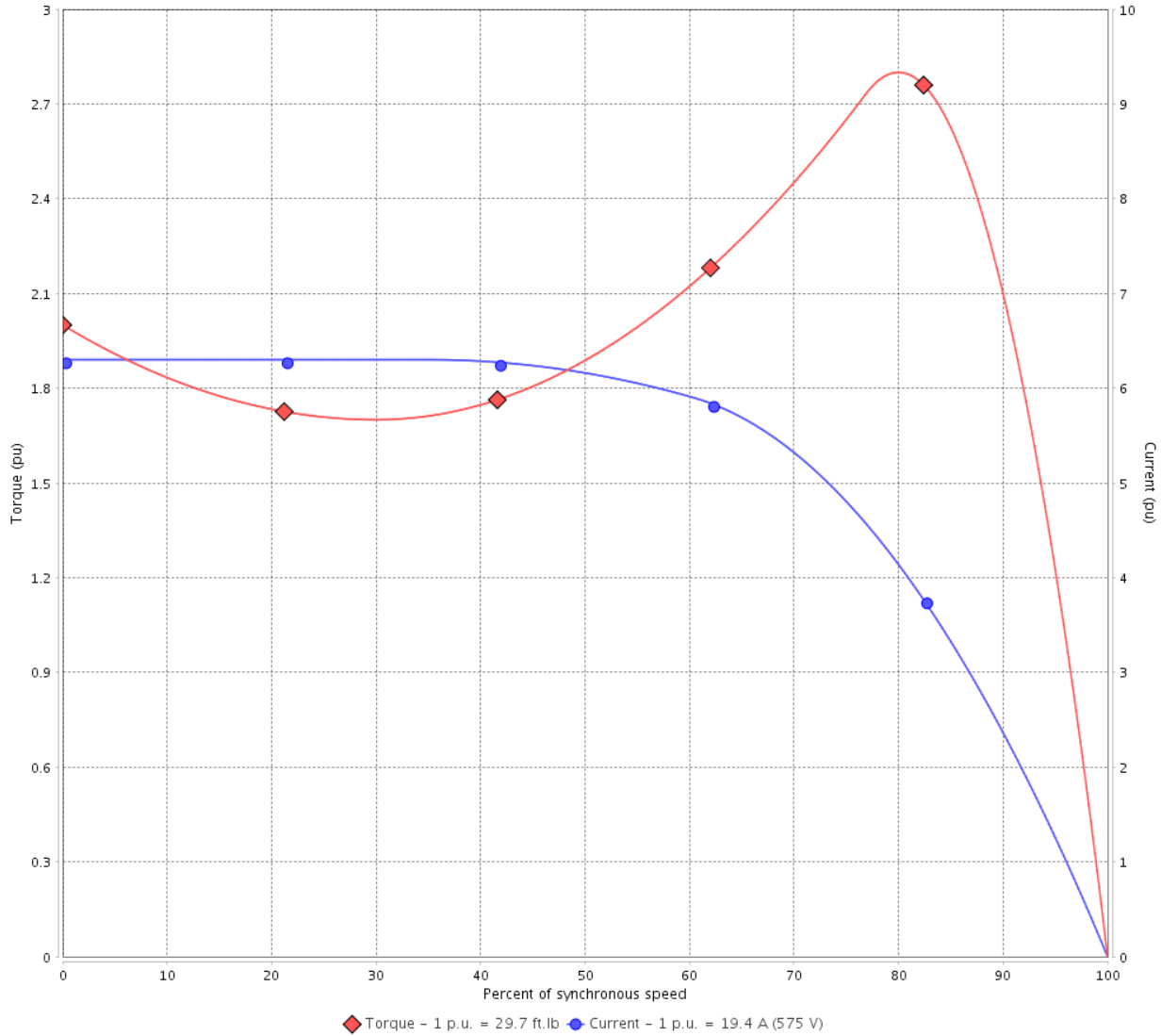
Customer :

Product line : W40 NEMA Premium Efficiency  
Three-Phase

Product code : 14495003

Catalog # : 02036OT3H254T-W40

TORQUE AND CURRENT VS SPEED CURVE



Performance : 575 V 60 Hz 2P

Rated current	: 19.4 A	Moment of inertia (J)	: 0.8718 sq.ft.lb
LRC	: 6.3	Duty cycle	: Cont.(S1)
Rated torque	: 29.7 ft.lb	Insulation class	: F
Locked rotor torque	: 200 %	Service factor	: 1.25
Breakdown torque	: 280 %	Temperature rise	: 80 K
Rated speed	: 3535 rpm	Design	: B

Locked rotor time : 21s (cold) 12s (hot)

Rev.	Changes Summary	Performed	Checked	Date
Performed by			Page 2 / 6	Revision
Checked by				
Date	14/04/2022			

# LOAD PERFORMANCE CURVE

## Three Phase Induction Motor - Squirrel Cage

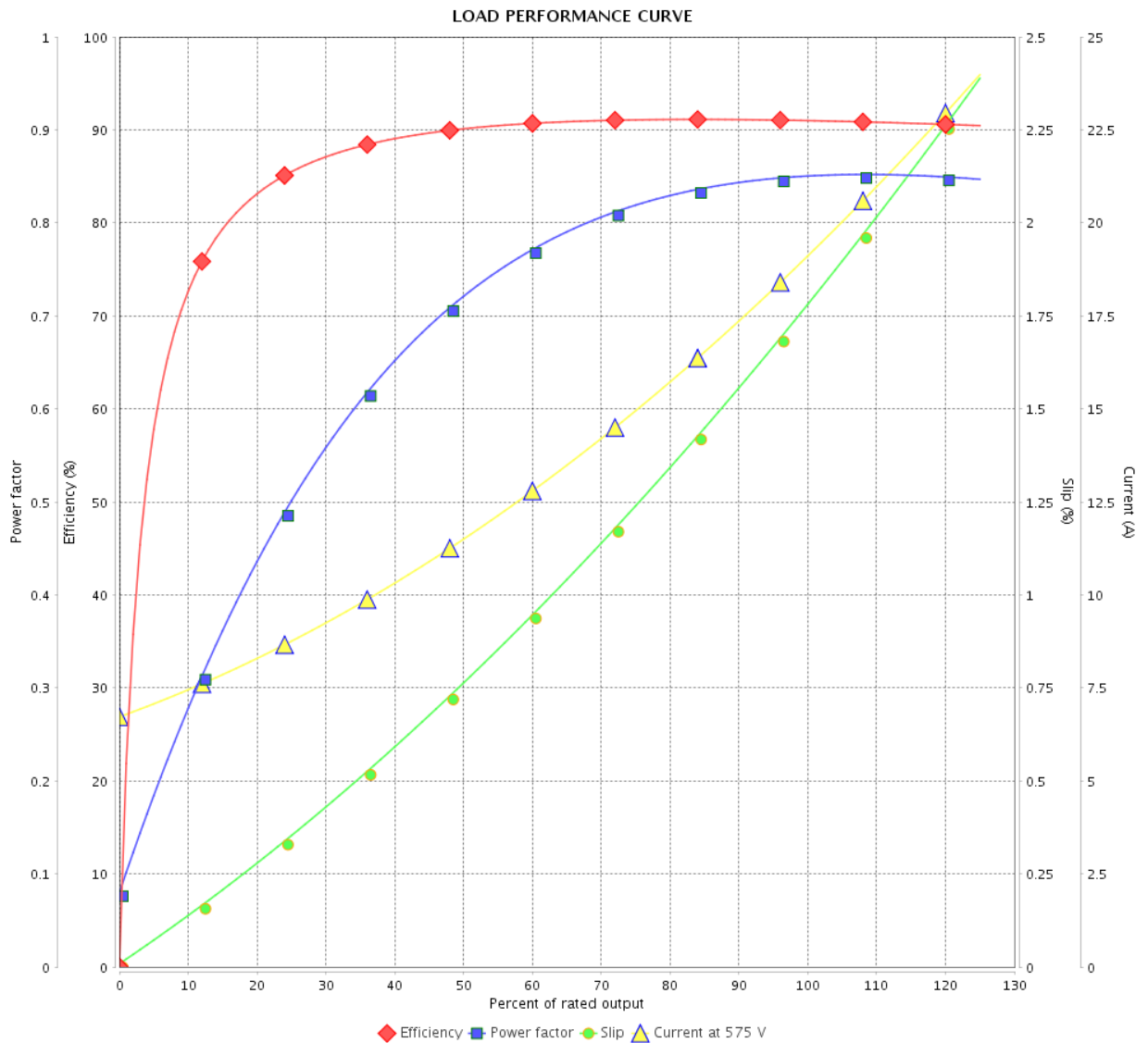


Customer :

Product line : W40 NEMA Premium Efficiency  
Three-Phase

Product code : 14495003

Catalog # : 02036OT3H254T-W40



Performance : 575 V 60 Hz 2P

Rated current : 19.4 A  
 LRC : 6.3  
 Rated torque : 29.7 ft.lb  
 Locked rotor torque : 200 %  
 Breakdown torque : 280 %  
 Rated speed : 3535 rpm

Moment of inertia (J) : 0.8718 sq.ft.lb  
 Duty cycle : Cont.(S1)  
 Insulation class : F  
 Service factor : 1.25  
 Temperature rise : 80 K  
 Design : B

Rev.	Changes Summary	Performed	Checked	Date
Performed by			Page	Revision
Checked by				
Date				

# THERMAL LIMIT CURVE



## Three Phase Induction Motor - Squirrel Cage

Customer :

Product line : W40 NEMA Premium Efficiency  
Three-Phase

Product code : 14495003

Catalog # : 02036OT3H254T-W40

Performance : 575 V 60 Hz 2P

Rated current : 19.4 A  
LRC : 6.3  
Rated torque : 29.7 ft.lb  
Locked rotor torque : 200 %  
Breakdown torque : 280 %  
Rated speed : 3535 rpm

Moment of inertia (J) : 0.8718 sq.ft.lb  
Duty cycle : Cont.(S1)  
Insulation class : F  
Service factor : 1.25  
Temperature rise : 80 K  
Design : B

Heating constant

Cooling constant

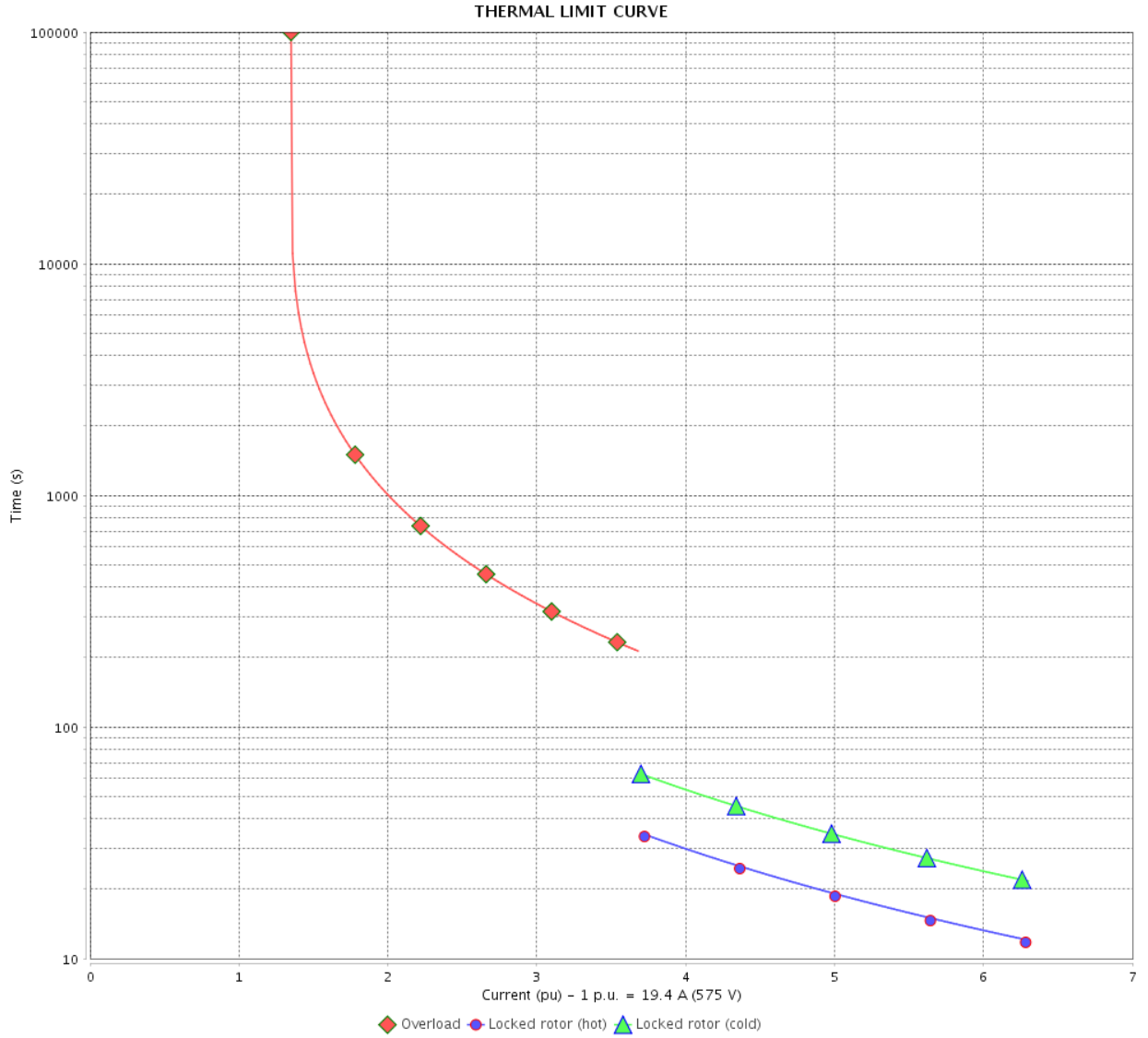
Rev.	Changes Summary	Performed	Checked	Date
Performed by				
Checked by			Page	Revision
Date	14/04/2022		4 / 6	

# THERMAL LIMIT CURVE

Three Phase Induction Motor - Squirrel Cage



Customer : \_\_\_\_\_



Rev.	Changes Summary	Performed	Checked	Date
Performed by		Page 5 / 6		Revision
Checked by				
Date				

# VFD OPERATION CURVE

Three Phase Induction Motor - Squirrel Cage



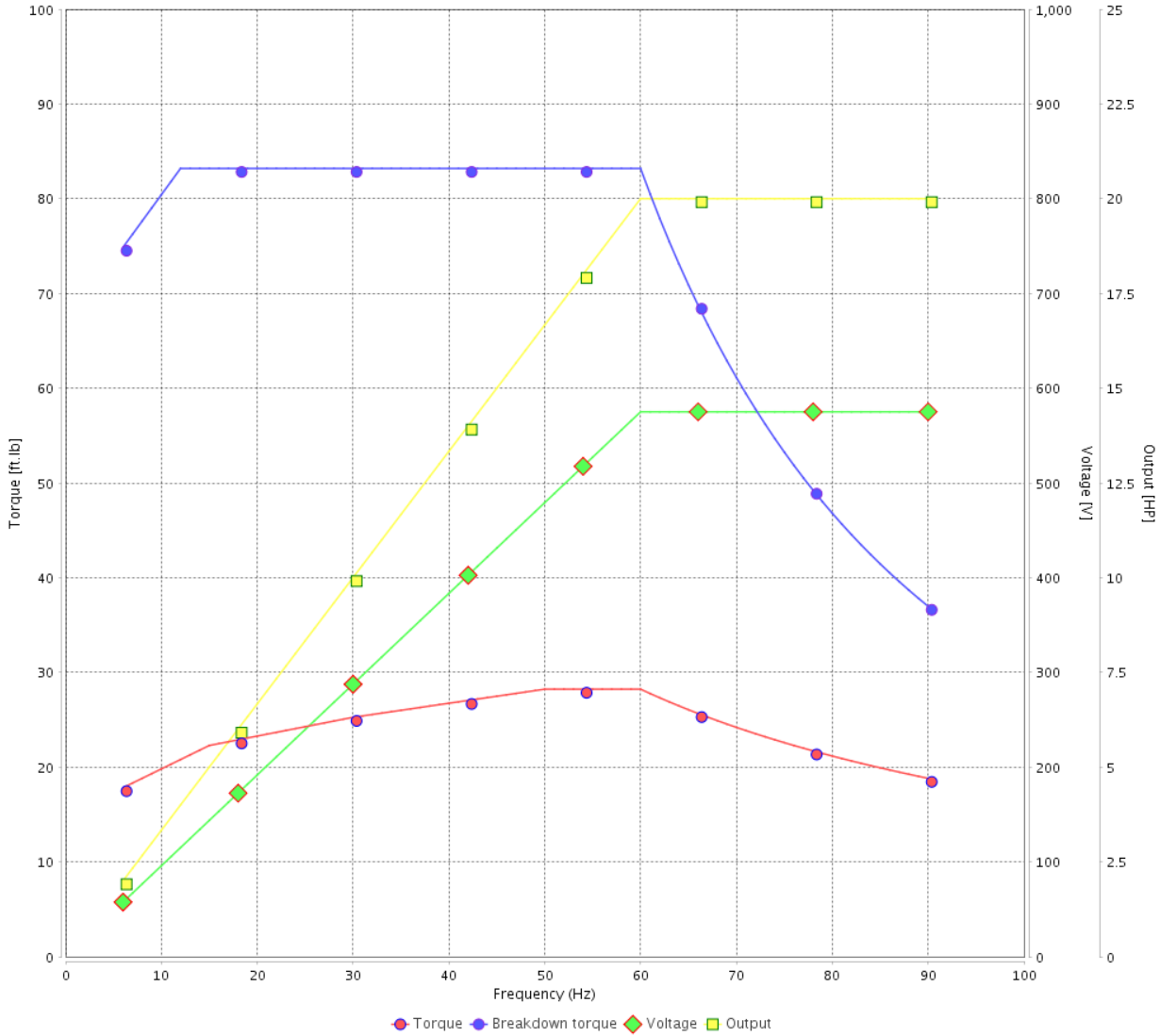
Customer :

Product line : W40 NEMA Premium Efficiency  
Three-Phase

Product code : 14495003

Catalog # : 02036OT3H254T-W40

VFD OPERATION CURVE

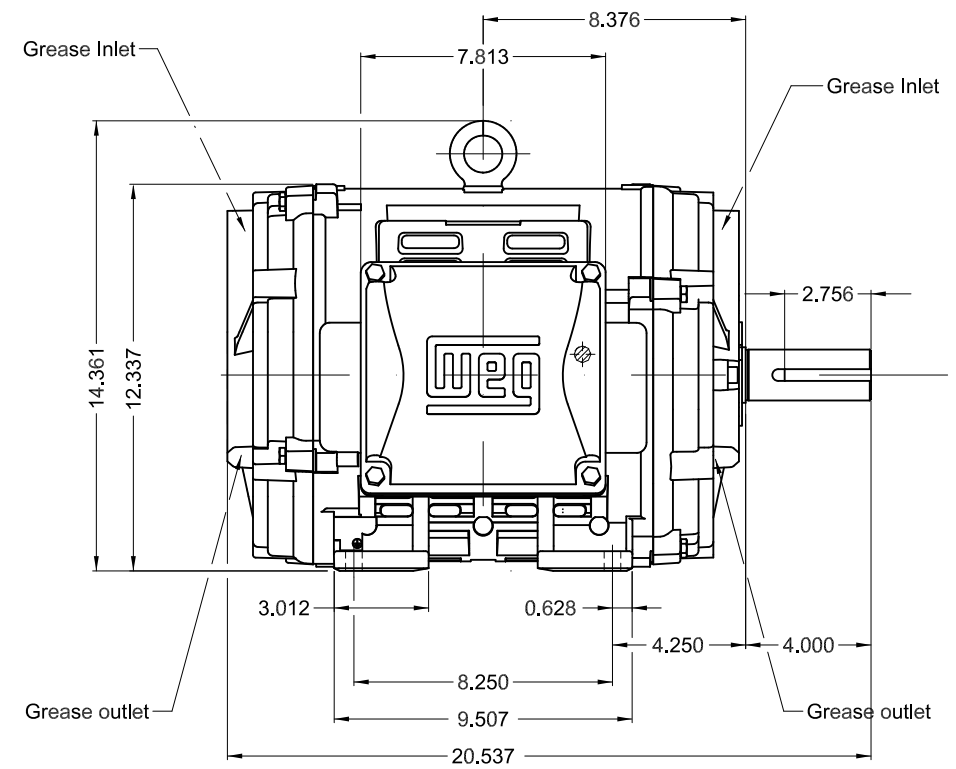
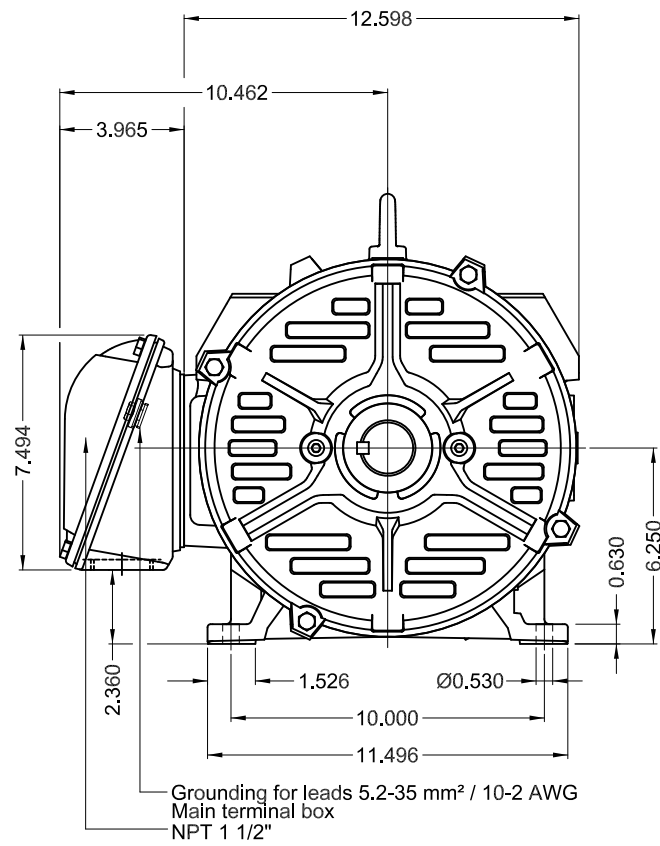


Performance : 575 V 60 Hz 2P

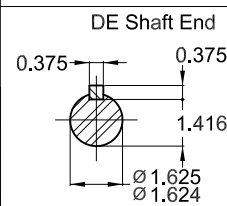
Rated current : 19.4 A  
LRC : 6.3  
Rated torque : 29.7 ft.lb  
Locked rotor torque : 200 %  
Breakdown torque : 280 %  
Rated speed : 3535 rpm

Moment of inertia (J) : 0.8718 sq.ft.lb  
Duty cycle : Cont.(S1)  
Insulation class : F  
Service factor : 1.25  
Temperature rise : 80 K  
Design : B

Rev.	Changes Summary	Performed	Checked	Date
Performed by			Page 6 / 6	Revision
Checked by				
Date	14/04/2022			



Color RAL 5009  
Painting plan 203A  
Mounting NEMA F-1  
Mounting B3R(D)



20 HP 02 Poles 60 Hz

A

1:6

ECM	LOC	SUMMARY OF MODIFICATIONS	EXECUTED	CHECKED	RELEASED	DATE	VER
EXECUTED	PIRWBUSER	THREE PH. MOTOR W40 PREM. EFF.					
CHECKED		FRAME 254T IP23 ODP					
RELEASED							
REL DT.		WMO Jaragua do Sul	Product Engineering	SHEET	1 / 1		

PREVIEW  
WDD

