

TORQUE AND CURRENT VS SPEED CURVE

Three Phase Induction Motor - Squirrel Cage



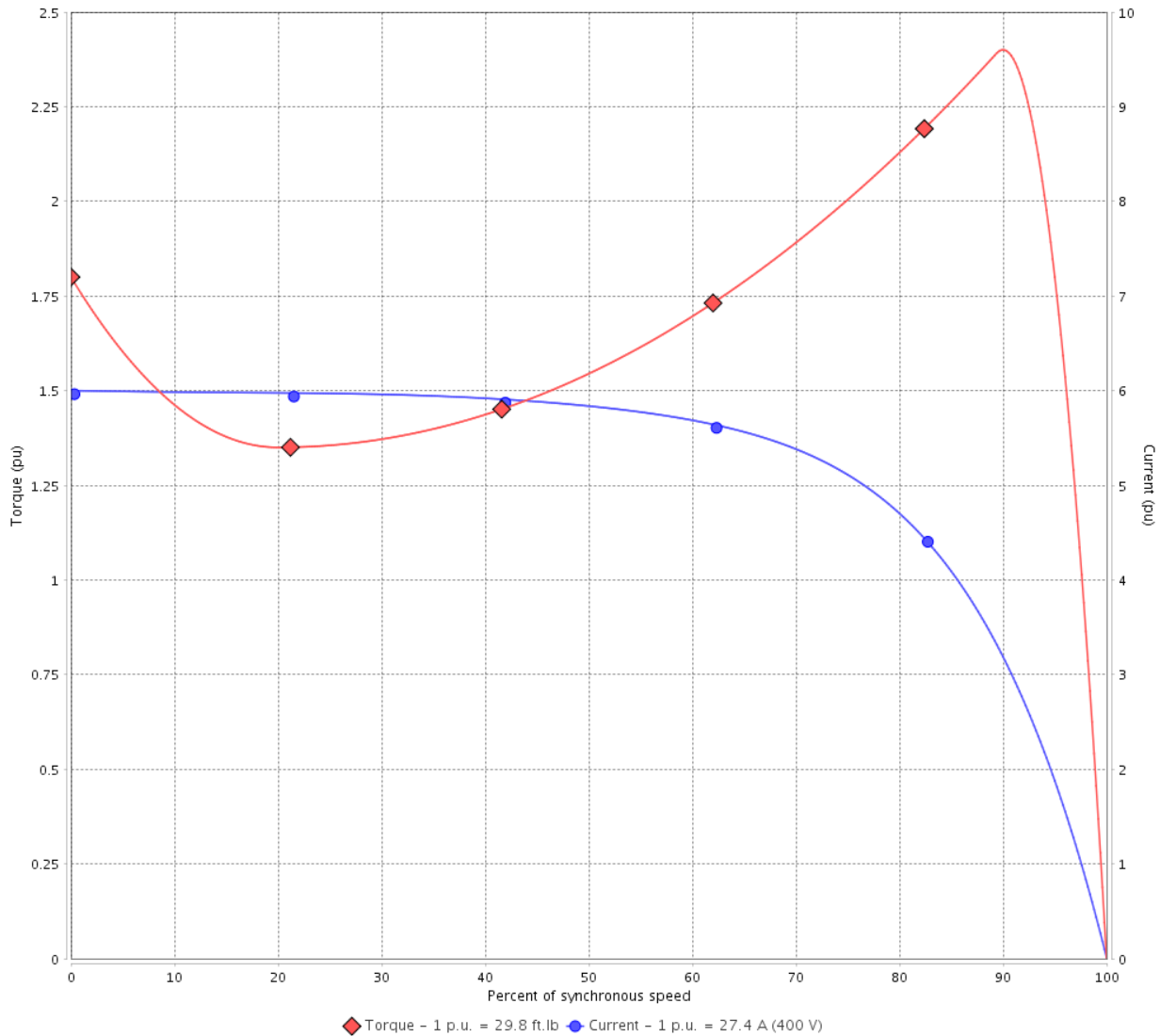
Customer :

Product line : JM Pump NEMA Premium
Efficiency Three-Phase

Product code : 14327414

Catalog # : 02036OT3V254JM-S

TORQUE AND CURRENT VS SPEED CURVE



Performance : 200/400 V 60 Hz 2P

Rated current	: 54.7/27.4 A	Moment of inertia (J)	: 0.7848 sq.ft.lb
LRC	: 6.0	Duty cycle	: Cont.(S1)
Rated torque	: 29.8 ft.lb	Insulation class	: F
Locked rotor torque	: 180 %	Service factor	: 1.15
Breakdown torque	: 240 %	Temperature rise	: 80 K
Rated speed	: 3525 rpm	Design	: B

Locked rotor time : 23s (cold) 13s (hot)

Rev.	Changes Summary	Performed	Checked	Date
Performed by			Page 2 / 6	Revision
Checked by				
Date	14/04/2022			

LOAD PERFORMANCE CURVE

Three Phase Induction Motor - Squirrel Cage

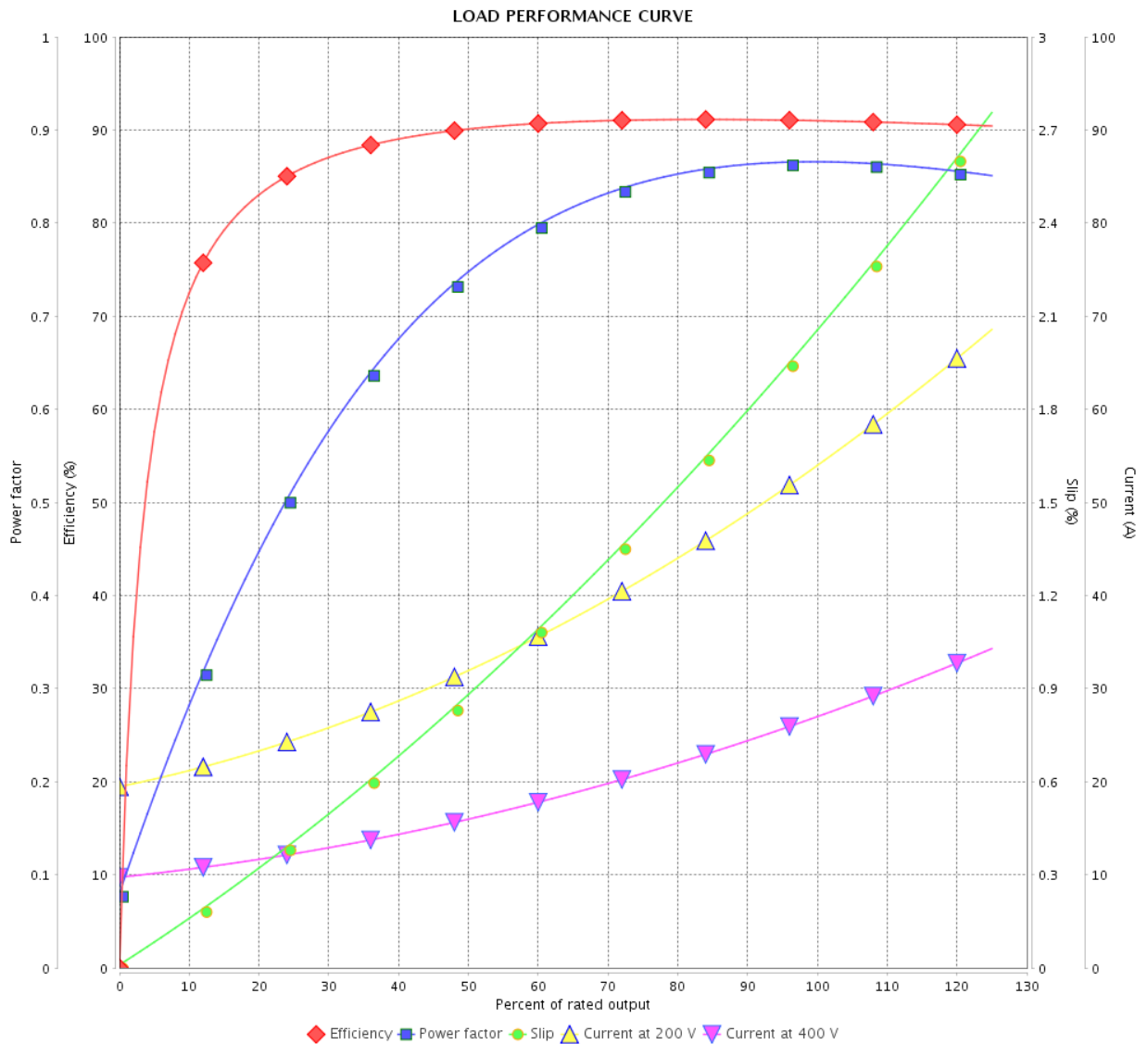


Customer :

Product line : JM Pump NEMA Premium Efficiency Three-Phase

Product code : 14327414

Catalog # : 02036OT3V254JM-S



Performance : 200/400 V 60 Hz 2P

Rated current : 54.7/27.4 A
 LRC : 6.0
 Rated torque : 29.8 ft.lb
 Locked rotor torque : 180 %
 Breakdown torque : 240 %
 Rated speed : 3525 rpm

Moment of inertia (J) : 0.7848 sq.ft.lb
 Duty cycle : Cont.(S1)
 Insulation class : F
 Service factor : 1.15
 Temperature rise : 80 K
 Design : B

Rev.	Changes Summary	Performed	Checked	Date
Performed by		Page		Revision
Checked by		3 / 6		
Date		14/04/2022		

THERMAL LIMIT CURVE

Three Phase Induction Motor - Squirrel Cage



Customer :

Product line : JM Pump NEMA Premium
Efficiency Three-Phase

Product code : 14327414

Catalog # : 02036OT3V254JM-S

Performance : 200/400 V 60 Hz 2P

Rated current : 54.7/27.4 A
LRC : 6.0
Rated torque : 29.8 ft.lb
Locked rotor torque : 180 %
Breakdown torque : 240 %
Rated speed : 3525 rpm

Moment of inertia (J) : 0.7848 sq.ft.lb
Duty cycle : Cont.(S1)
Insulation class : F
Service factor : 1.15
Temperature rise : 80 K
Design : B

Heating constant

Cooling constant

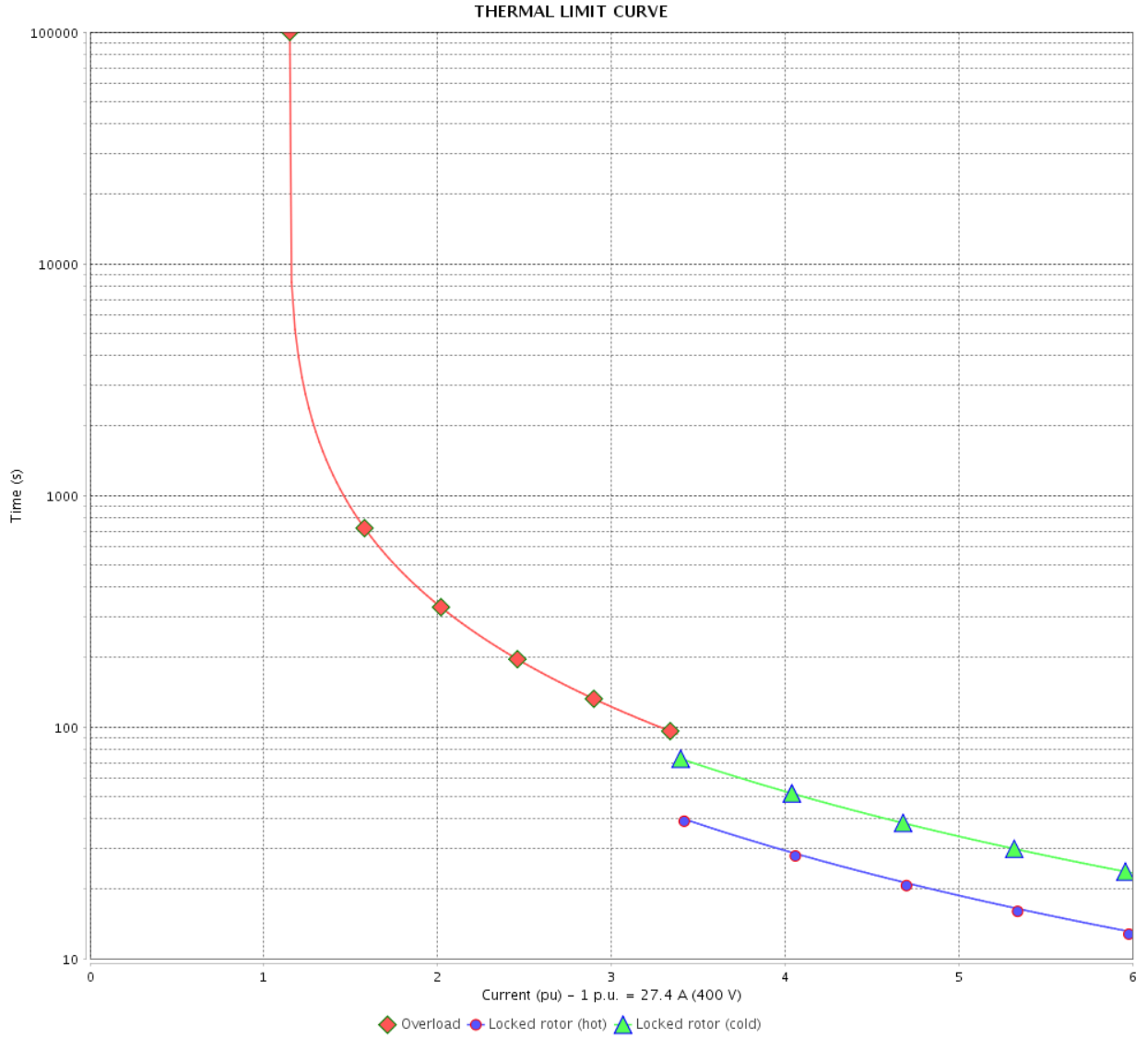
Rev.	Changes Summary	Performed	Checked	Date
Performed by				
Checked by			Page	Revision
Date	14/04/2022		4 / 6	

THERMAL LIMIT CURVE

Three Phase Induction Motor - Squirrel Cage



Customer : _____



Rev.	Changes Summary	Performed	Checked	Date
Performed by		Page 5 / 6		Revision
Checked by				
Date				

VFD OPERATION CURVE

Three Phase Induction Motor - Squirrel Cage



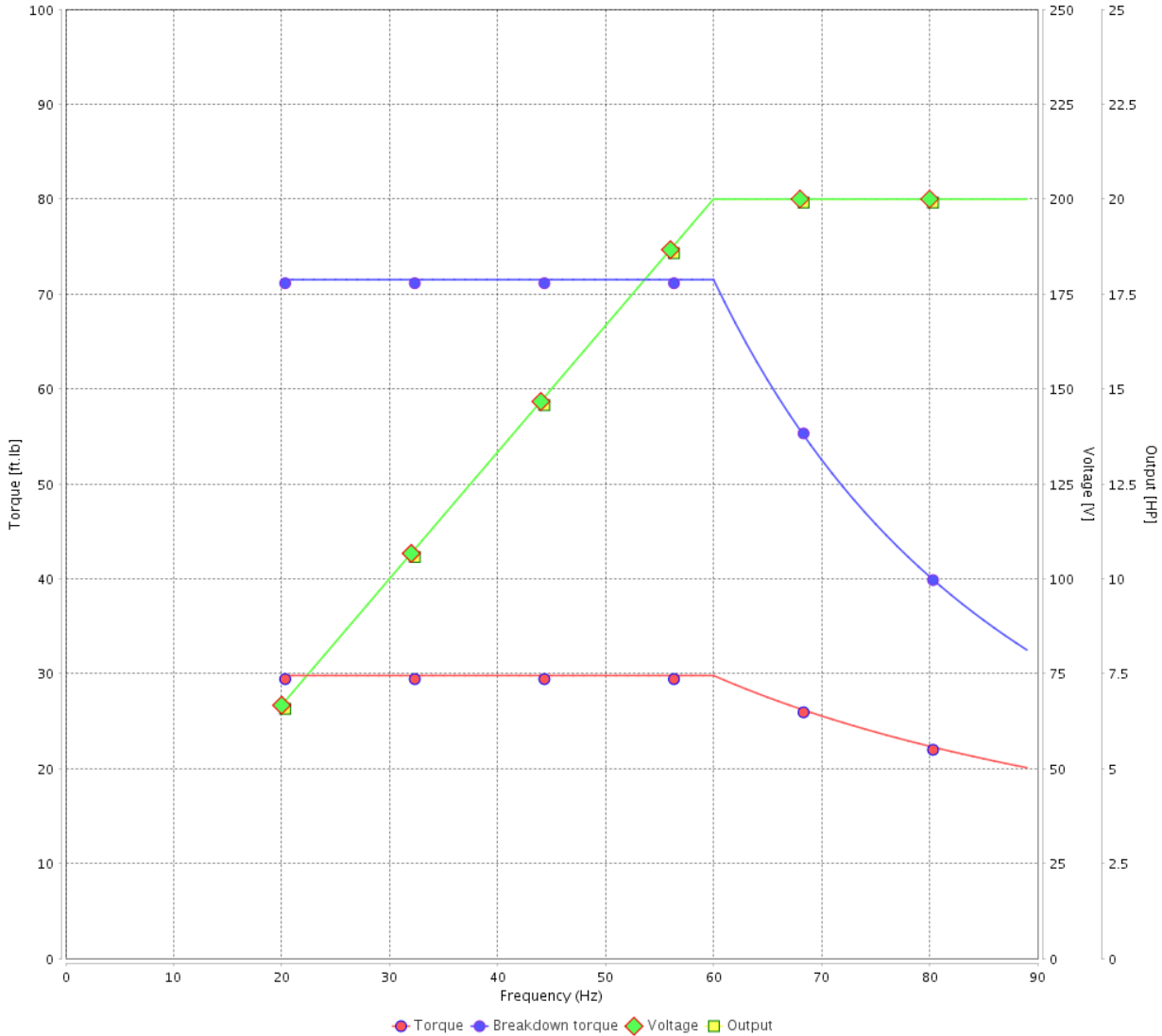
Customer :

Product line : JM Pump NEMA Premium Efficiency Three-Phase

Product code : 14327414

Catalog # : 02036OT3V254JM-S

VFD OPERATION CURVE



Performance : 200/400 V 60 Hz 2P

Rated current : 54.7/27.4 A
 LRC : 6.0
 Rated torque : 29.8 ft.lb
 Locked rotor torque : 180 %
 Breakdown torque : 240 %
 Rated speed : 3525 rpm

Moment of inertia (J) : 0.7848 sq.ft.lb
 Duty cycle : Cont.(S1)
 Insulation class : F
 Service factor : 1.15
 Temperature rise : 80 K
 Design : B

Rev.	Changes Summary	Performed	Checked	Date
Performed by			Page	Revision
Checked by				
Date				

1 2 3 4 5 6

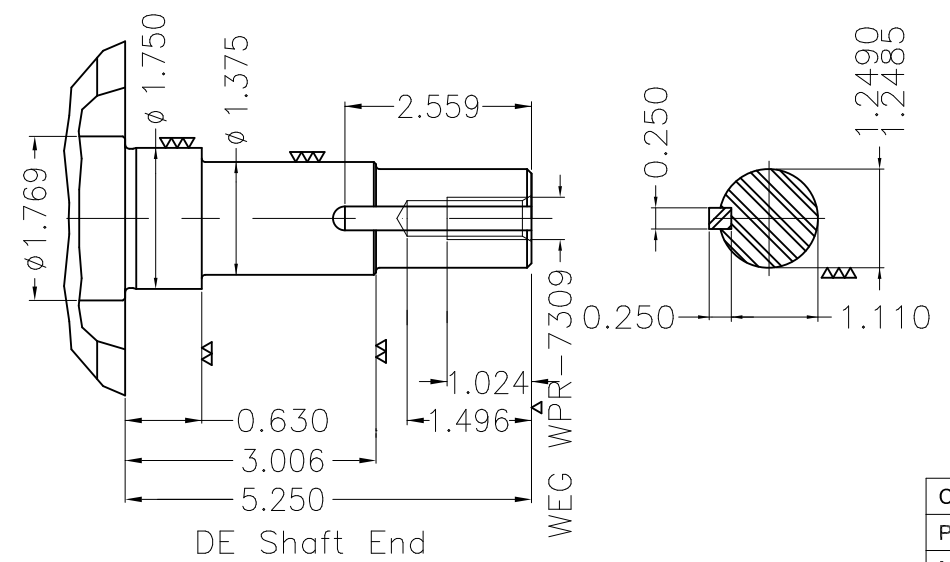
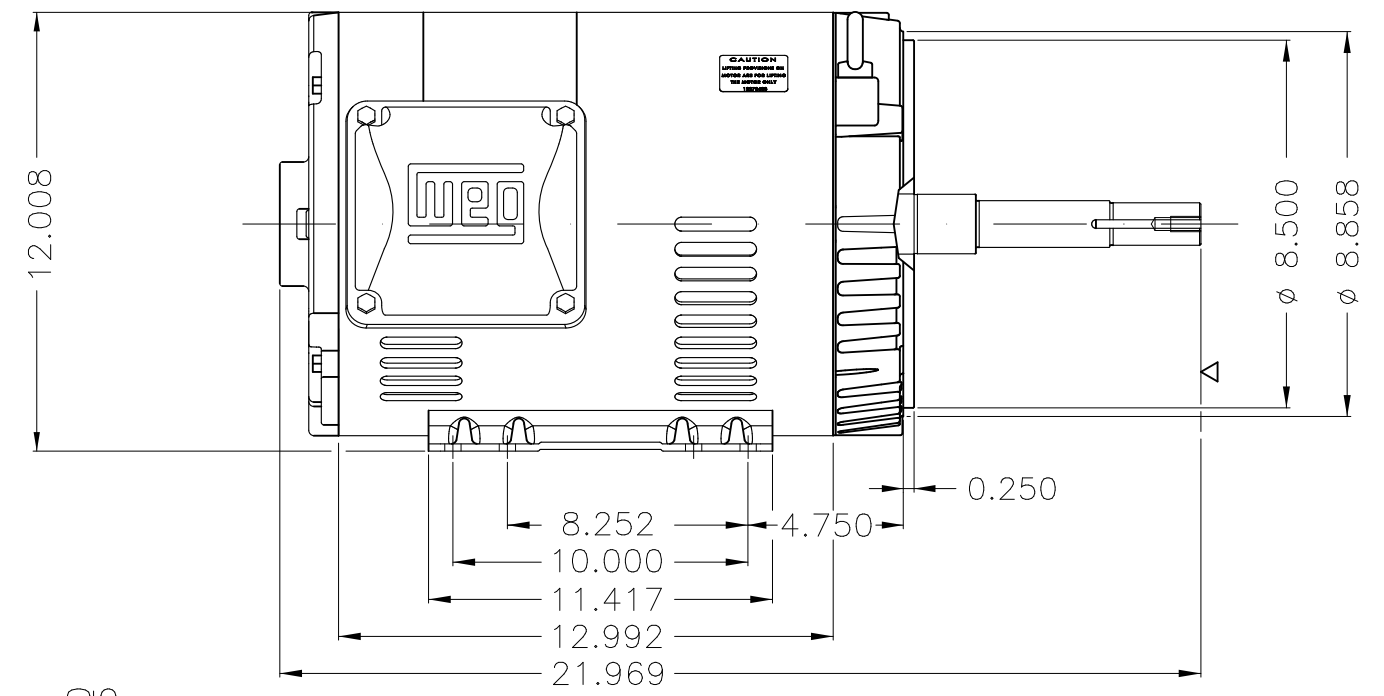
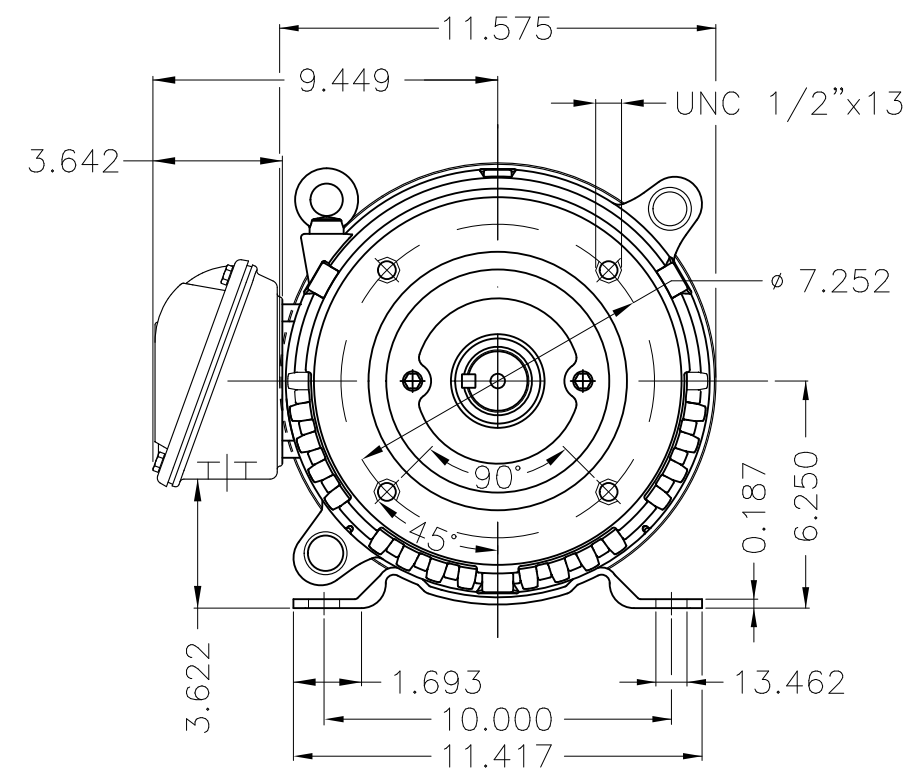
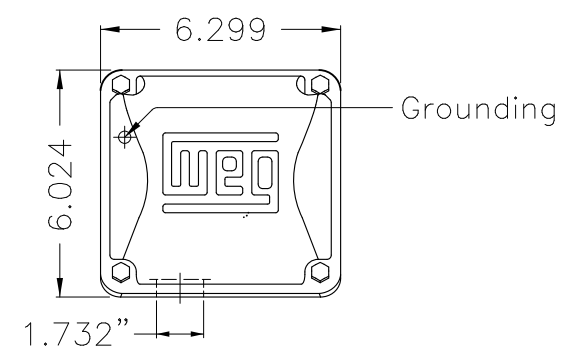
A

B

C

D

E



EUNC 1/2"-13 WEG WPR-7309

DE Shaft End

Color Munsell N 1 matte black
 Painting plan 207N
 Mounting F-1/B34R(D)

ECM	LOC	SUMMARY OF MODIFICATIONS	EXECUTED	CHECKED	RELEASED	DATE	VER
EXECUTED	PIRBUSER	THREE PH. MOTOR ROLLED STEEL CLOSE COUPLED PUMP JN TYPE PSE 1/2"					
CHECKED		FRAME 254/6JM IP21 ODP					
RELEASED							
REL DT.	WMO	Jaragua do Sul	Product Engineering	WDD	SHEET	1 / 1	

20 HP 02 Poles 60 Hz

