

# DATA SHEET



## Three Phase Induction Motor - Squirrel Cage

Customer :				
Product line	: JM Pump NEMA Premium Efficiency Three-Phase			
Product code :	13482987			
Catalog # :	02036OT3V254JMV-S			
Frame : 254/6JM Output : 20 HP (15 kW) Poles : 2 Frequency : 60 Hz Rated voltage : 200/400 V Rated current : 54.7/27.4 A L. R. Amperes : 328/164 A LRC : 6.0x(Code G) No load current : 19.6/9.78 A Rated speed : 3525 rpm Slip : 2.08 % Rated torque : 29.8 ft.lb Locked rotor torque : 180 % Breakdown torque : 240 % Insulation class : F Service factor : 1.15 Moment of inertia (J) : 0.7848 sq.ft.lb Design : B	Locked rotor time : 23s (cold) 13s (hot) Temperature rise : 80 K Duty cycle : Cont.(S1) Ambient temperature : -20°C to +40°C Altitude : 1000 m.a.s.l. Cooling method : IC01 - ODP Mounting : W-6 Rotation <sup>1</sup> : Both (CW and CCW) Noise level <sup>2</sup> : 70.0 dB(A) Starting method : Direct On Line Approx. weight <sup>3</sup> : 177 lb			
Output	25%    50%    75%    100%			
Efficiency (%)	90.0    90.2    91.0    91.0			
Power Factor	0.49    0.76    0.83    0.87			
Foundation loads				
Max. traction	: 254 lb			
Max. compression	: 431 lb			
Bearing type	: <u>Drive end</u> 6309 Z C3 <u>Non drive end</u> 6208 Z C3			
Sealing	: Without Bearing Seal    Without Bearing Seal			
Lubrication interval	: 15797 h    20000 h			
Lubricant amount	: 13 g    8 g			
Lubricant type	: Mobil Polyrex EM			
Notes				
This revision replaces and cancel the previous one, which must be eliminated. (1) Looking the motor from the shaft end. (2) Measured at 1m and with tolerance of +3dB(A). (3) Approximate weight subject to changes after manufacturing process. (4) At 100% of full load.				
These are average values based on tests with sinusoidal power supply, subject to the tolerances stipulated in NEMA MG-1.				
Rev.	Changes Summary	Performed	Checked	Date
Performed by				
Checked by			Page	Revision
Date	14/04/2022		1 / 6	

# TORQUE AND CURRENT VS SPEED CURVE

## Three Phase Induction Motor - Squirrel Cage



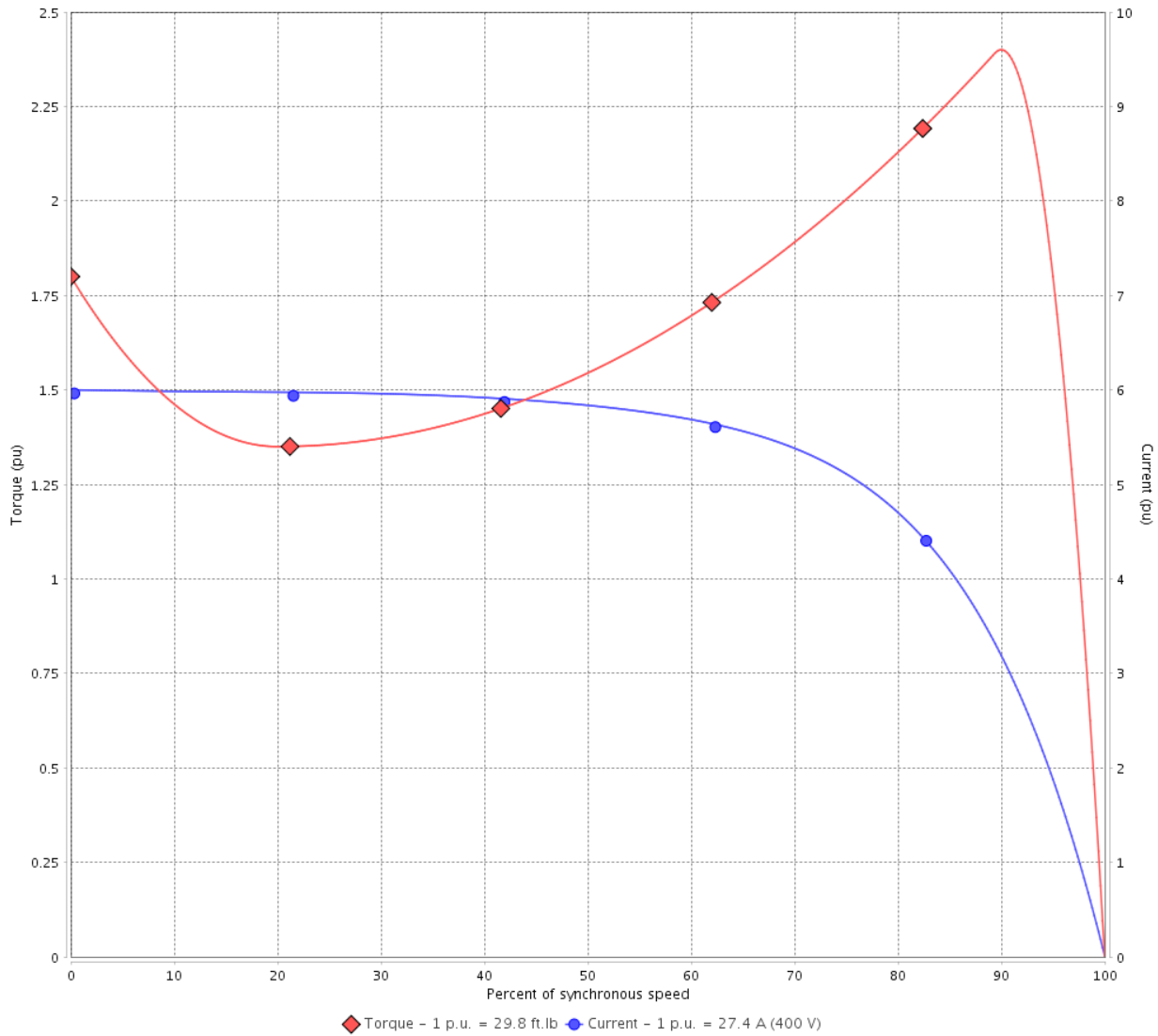
Customer :

Product line : JM Pump NEMA Premium  
Efficiency Three-Phase

Product code : 13482987

Catalog # : 02036OT3V254JMV-S

TORQUE AND CURRENT VS SPEED CURVE



Performance : 200/400 V 60 Hz 2P

Rated current : 54.7/27.4 A  
LRC : 6.0  
Rated torque : 29.8 ft.lb  
Locked rotor torque : 180 %  
Breakdown torque : 240 %  
Rated speed : 3525 rpm

Moment of inertia (J) : 0.7848 sq.ft.lb  
Duty cycle : Cont.(S1)  
Insulation class : F  
Service factor : 1.15  
Temperature rise : 80 K  
Design : B

Locked rotor time : 23s (cold) 13s (hot)

Rev.	Changes Summary	Performed	Checked	Date
Performed by			Page 2 / 6	Revision
Checked by				
Date	14/04/2022			

# LOAD PERFORMANCE CURVE

## Three Phase Induction Motor - Squirrel Cage

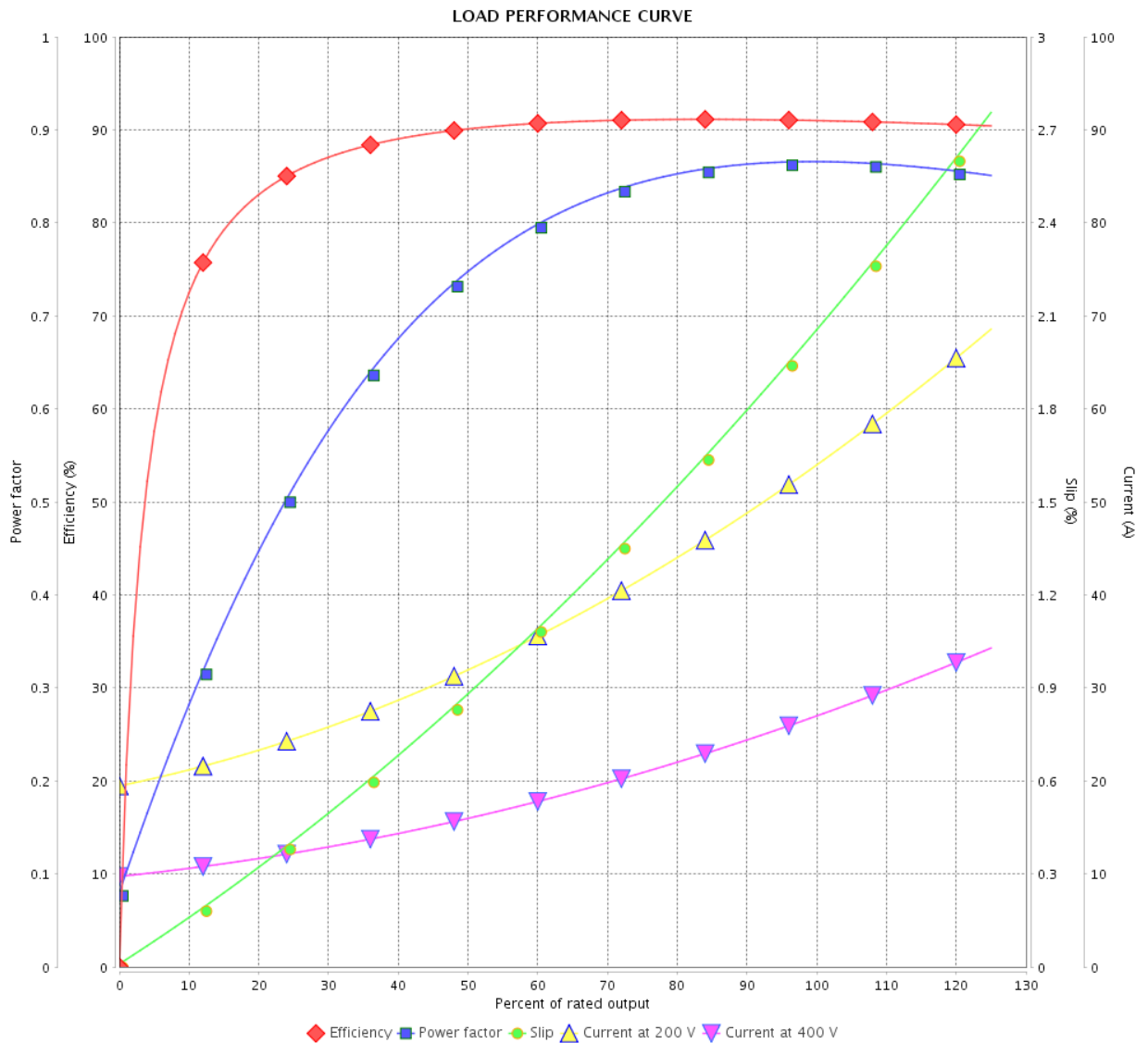


Customer :

Product line : JM Pump NEMA Premium Efficiency Three-Phase

Product code : 13482987

Catalog # : 02036OT3V254JMV-S



Performance : 200/400 V 60 Hz 2P

Rated current : 54.7/27.4 A  
 LRC : 6.0  
 Rated torque : 29.8 ft.lb  
 Locked rotor torque : 180 %  
 Breakdown torque : 240 %  
 Rated speed : 3525 rpm

Moment of inertia (J) : 0.7848 sq.ft.lb  
 Duty cycle : Cont.(S1)  
 Insulation class : F  
 Service factor : 1.15  
 Temperature rise : 80 K  
 Design : B

Rev.	Changes Summary	Performed	Checked	Date
Performed by			Page	Revision
Checked by				
Date				
			3 / 6	

# THERMAL LIMIT CURVE



## Three Phase Induction Motor - Squirrel Cage

Customer :

Product line : JM Pump NEMA Premium  
Efficiency Three-Phase

Product code : 13482987

Catalog # : 02036OT3V254JMV-S

Performance : 200/400 V 60 Hz 2P

Rated current : 54.7/27.4 A  
LRC : 6.0  
Rated torque : 29.8 ft.lb  
Locked rotor torque : 180 %  
Breakdown torque : 240 %  
Rated speed : 3525 rpm

Moment of inertia (J) : 0.7848 sq.ft.lb  
Duty cycle : Cont.(S1)  
Insulation class : F  
Service factor : 1.15  
Temperature rise : 80 K  
Design : B

Heating constant

Cooling constant

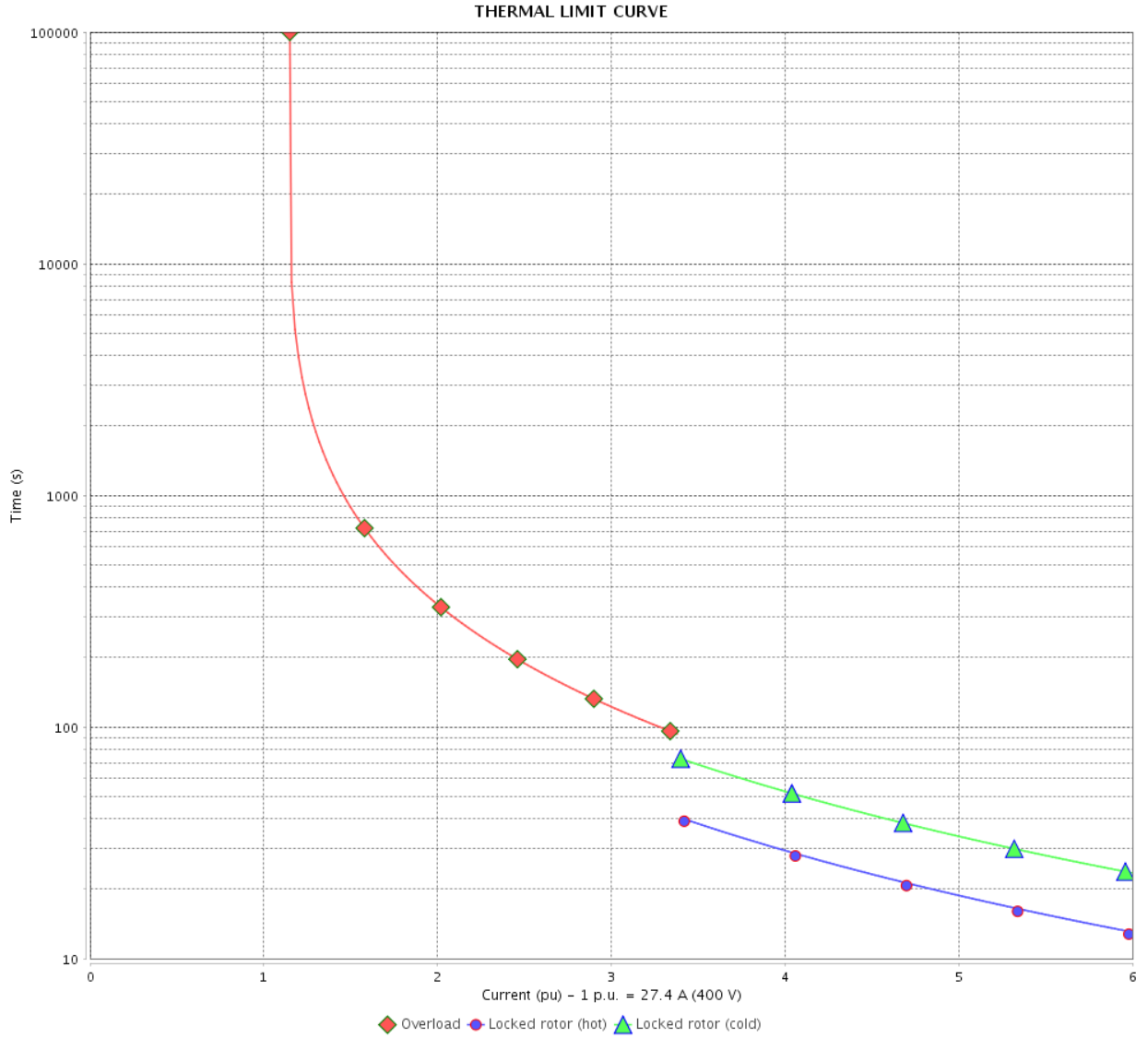
Rev.	Changes Summary	Performed	Checked	Date
Performed by				
Checked by			Page	Revision
Date	14/04/2022		4 / 6	

# THERMAL LIMIT CURVE

Three Phase Induction Motor - Squirrel Cage



Customer : \_\_\_\_\_



Rev.	Changes Summary	Performed	Checked	Date
Performed by		Page		Revision
Checked by				
Date				

# VFD OPERATION CURVE

Three Phase Induction Motor - Squirrel Cage



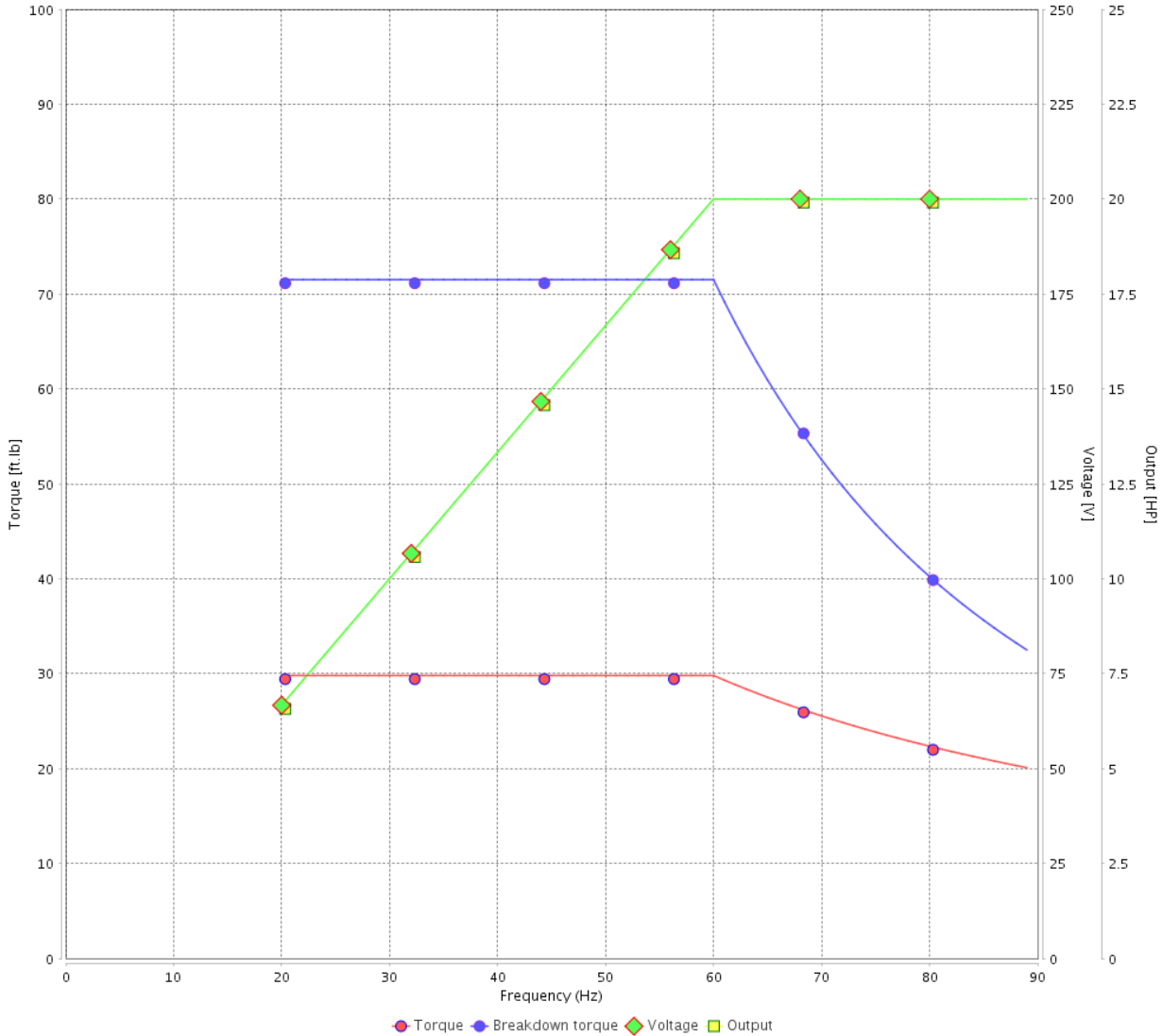
Customer :

Product line : JM Pump NEMA Premium Efficiency Three-Phase

Product code : 13482987

Catalog # : 02036OT3V254JMV-S

VFD OPERATION CURVE



Performance : 200/400 V 60 Hz 2P

Rated current : 54.7/27.4 A  
 LRC : 6.0  
 Rated torque : 29.8 ft.lb  
 Locked rotor torque : 180 %  
 Breakdown torque : 240 %  
 Rated speed : 3525 rpm

Moment of inertia (J) : 0.7848 sq.ft.lb  
 Duty cycle : Cont.(S1)  
 Insulation class : F  
 Service factor : 1.15  
 Temperature rise : 80 K  
 Design : B

Rev.	Changes Summary	Performed	Checked	Date
Performed by			Page	Revision
Checked by				
Date				

1 2 3 4 5 6

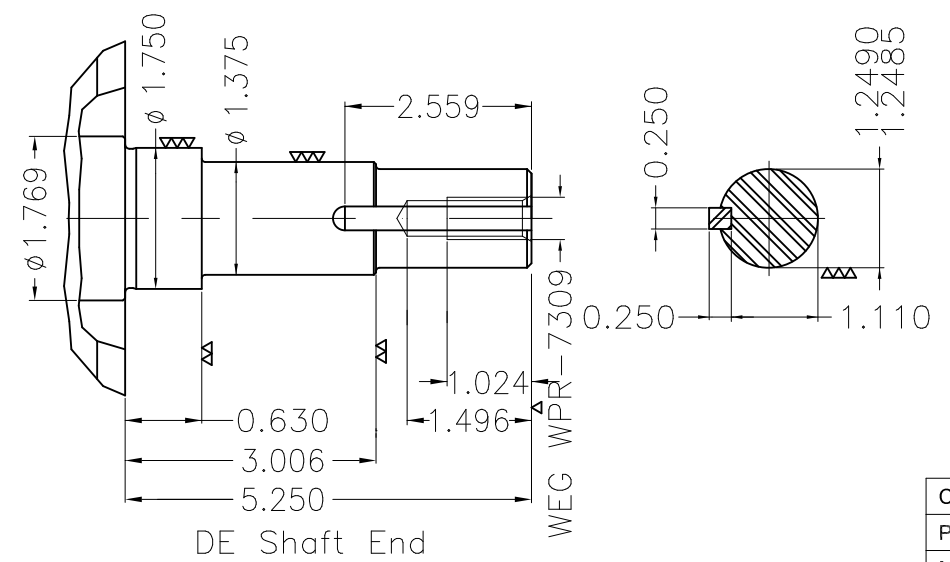
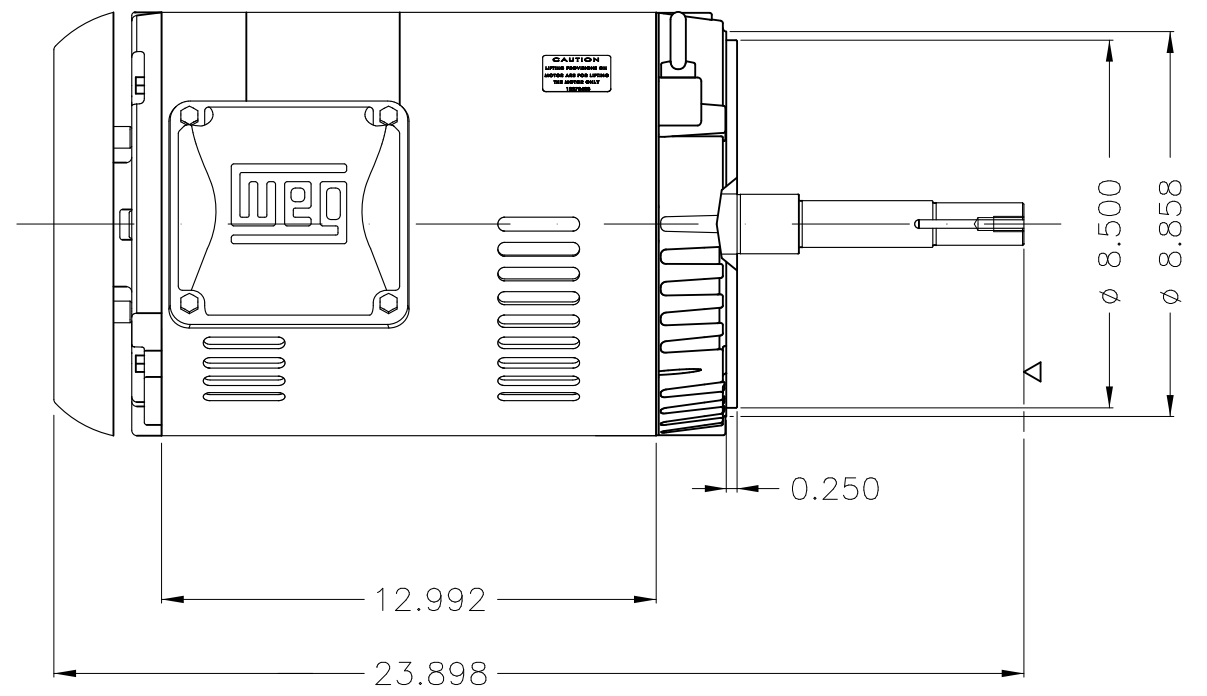
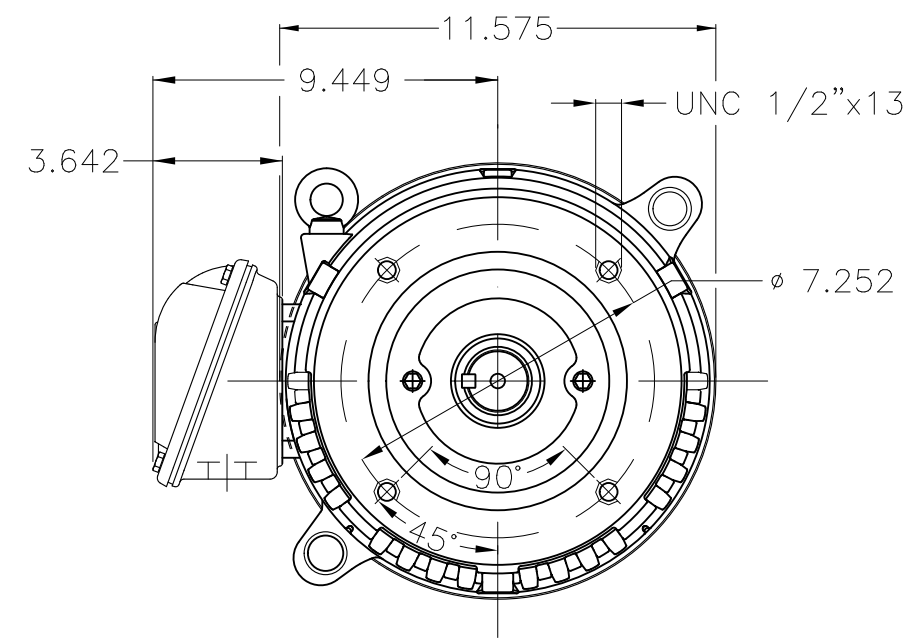
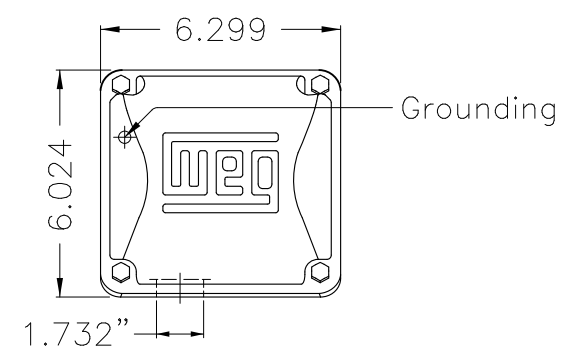
A

B

C

D

E



EUNC 1/2"-13 WEG WPR-7309

Color Munsell N 1 matte black									
Painting plan 207N									
Mounting W-6/V18R(D)									
ECM	LOC	SUMMARY OF MODIFICATIONS			EXECUTED	CHECKED	RELEASED	DATE	VER
EXECUTED	PIRWBUSER	THREE PH. MOTOR ROLLED STEEL CLOSE COUPLED PUMP JM TYPE PSE 187							
CHECKED		FRAME 254/6JM IP21 ODP							
RELEASED									
REL DT.		WMO	Jaragua do Sul	Product Engineering					

PREVIEW

WDD



20 HP 02 Poles 60 Hz



**NEMA**  
**Premium**



MADE IN MEXICO

**MAT: 13482987 CC029A**

**W01.T00IC0X0N**

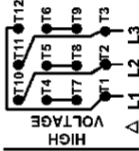
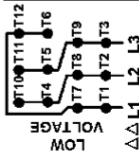
**MODEL 020360T3V254JMV-S**

**14JUN2021 S/N:**

PH 3	Hz 60	HP 20
FR 254/6JM		KW 15
DUTY CONT.		V 200/400
ALT 1000 m.a.s.l.		A 54.7/27.4
INS CL F AT 80K		SFA 62.9/31.5
AMB 40°C	DES B	SF 1.15
ENCL ODP	CODE G	PF 0.87
		RPM 3525
		NEMA NOM. EFF 91.0%

Inverter duty motor For use on VPWM 1000:1 VT, 3:1 CT

DE 6309-Z-C3	ODE 6208-Z-C3	MOBIL POLYREX EM	15797h
--------------	---------------	------------------	--------



T1-BLU T2-WHT  
 T3-ORG T4-YEL  
 T5-BLK T6-GRY  
 T7-PNK T8-RED  
 T9-BRK RED  
 T10-CURRY  
 T11-GRN T12-VLT

INTERCHANGE ANY TWO LINE WIRES TO REVERSE THE ROTATION



**WARNING:** Motor must be grounded in accordance with local and national electrical codes to prevent serious electrical shocks. Disconnect power source before servicing unit.



**AVERTISSEMENT:** Le moteur doit être mis à la terre

conformément aux codes électriques locaux et nationaux afin d'éviter tout choc électrique grave. Déconnectez l'alimentation avant l'entretien de la machine.

