

TORQUE AND CURRENT VS SPEED CURVE

Three Phase Induction Motor - Squirrel Cage



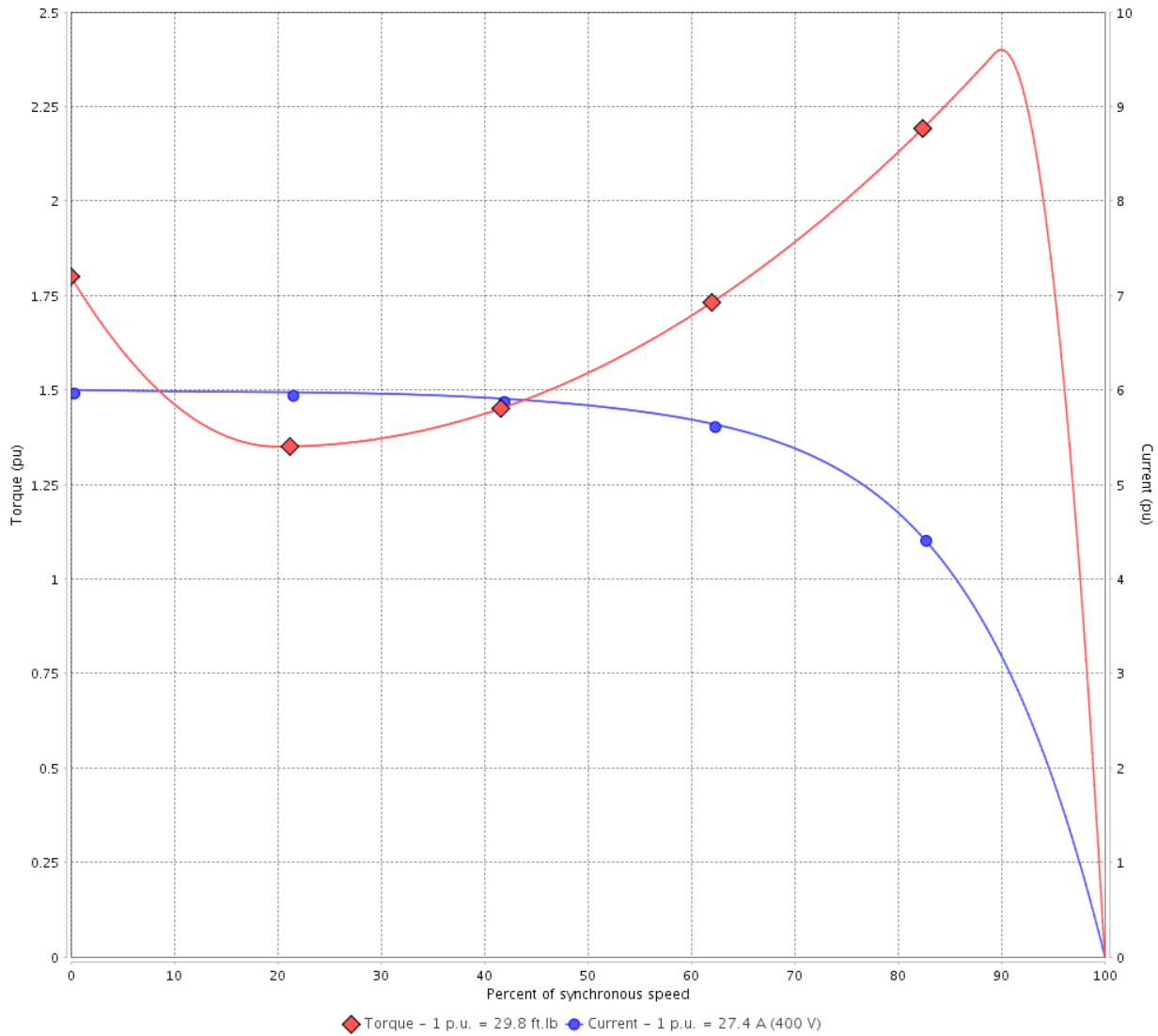
Customer :

Product line : JP Pump NEMA Premium
Efficiency Three-Phase

Product code : 13482999

Catalog # : 02036OT3V254JPV-S

TORQUE AND CURRENT VS SPEED CURVE



Performance : 200/400 V 60 Hz 2P

Rated current : 54.7/27.4 A
LRC : 6.0
Rated torque : 29.8 ft.lb
Locked rotor torque : 180 %
Breakdown torque : 240 %
Rated speed : 3525 rpm

Moment of inertia (J) : 0.7848 sq.ft.lb
Duty cycle : Cont.(S1)
Insulation class : F
Service factor : 1.15
Temperature rise : 80 K
Design : B

Locked rotor time : 23s (cold) 13s (hot)

Rev.	Changes Summary	Performed	Checked	Date
Performed by			Page 2 / 6	Revision
Checked by				
Date	14/04/2022			

LOAD PERFORMANCE CURVE

Three Phase Induction Motor - Squirrel Cage

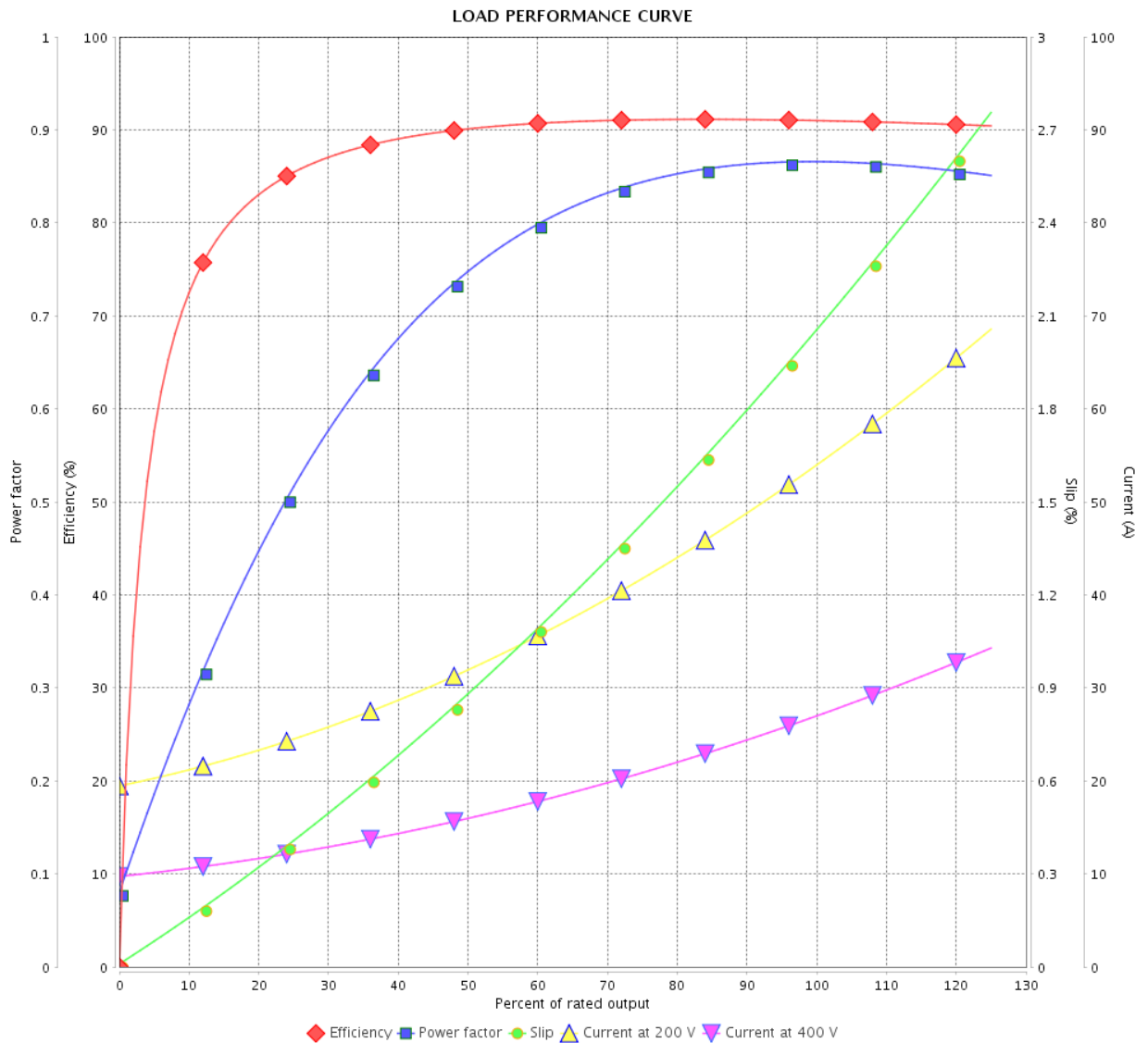


Customer :

Product line : JP Pump NEMA Premium
Efficiency Three-Phase

Product code : 13482999

Catalog # : 02036OT3V254JPV-S



Performance : 200/400 V 60 Hz 2P

Rated current : 54.7/27.4 A
 LRC : 6.0
 Rated torque : 29.8 ft.lb
 Locked rotor torque : 180 %
 Breakdown torque : 240 %
 Rated speed : 3525 rpm

Moment of inertia (J) : 0.7848 sq.ft.lb
 Duty cycle : Cont.(S1)
 Insulation class : F
 Service factor : 1.15
 Temperature rise : 80 K
 Design : B

Rev.	Changes Summary	Performed	Checked	Date
Performed by			Page	Revision
Checked by				
Date				

THERMAL LIMIT CURVE



Three Phase Induction Motor - Squirrel Cage

Customer :

Product line : JP Pump NEMA Premium
Efficiency Three-Phase

Product code : 13482999

Catalog # : 02036OT3V254JPV-S

Performance : 200/400 V 60 Hz 2P

Rated current : 54.7/27.4 A
LRC : 6.0
Rated torque : 29.8 ft.lb
Locked rotor torque : 180 %
Breakdown torque : 240 %
Rated speed : 3525 rpm

Moment of inertia (J) : 0.7848 sq.ft.lb
Duty cycle : Cont.(S1)
Insulation class : F
Service factor : 1.15
Temperature rise : 80 K
Design : B

Heating constant

Cooling constant

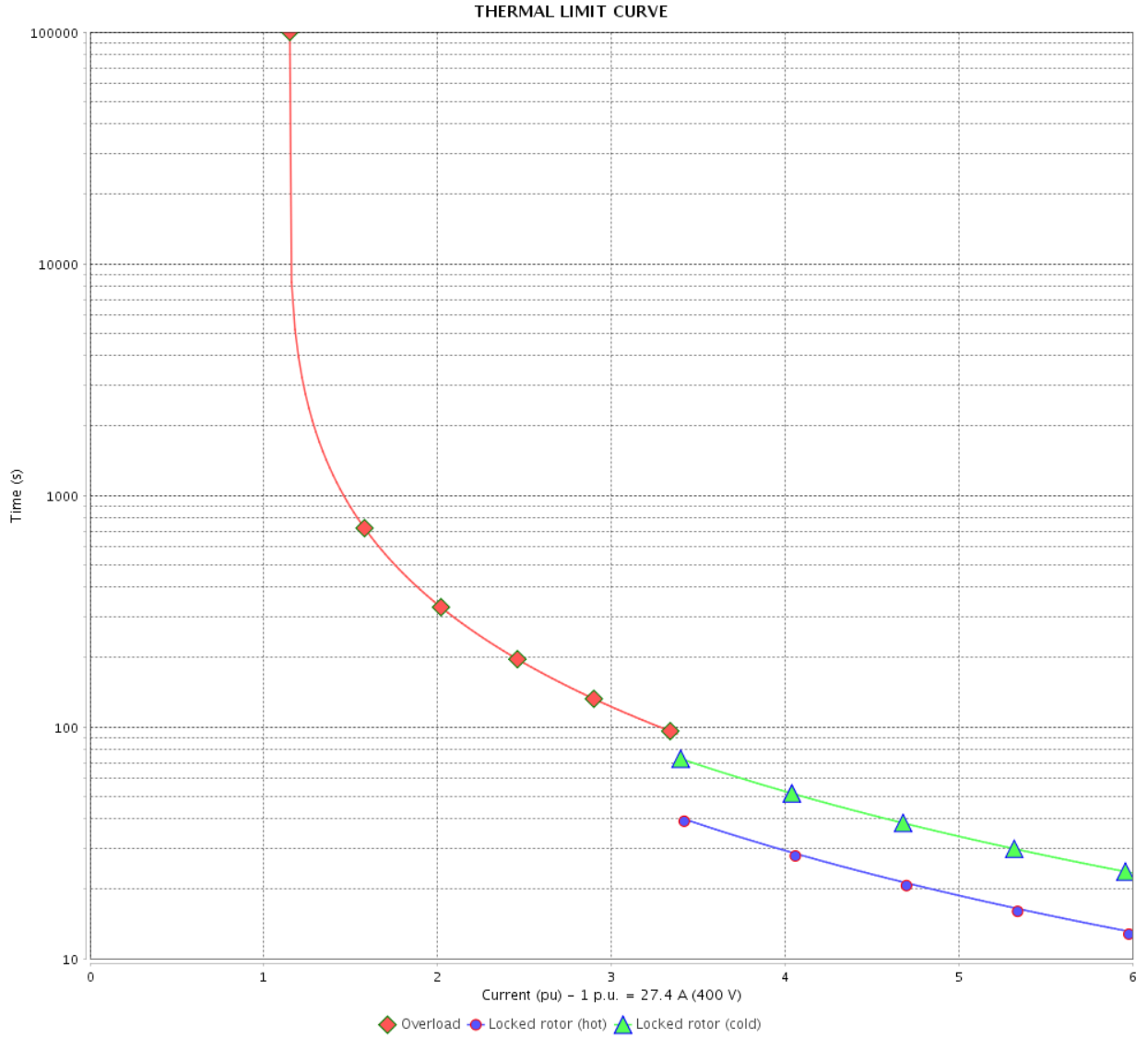
Rev.	Changes Summary	Performed	Checked	Date
Performed by				
Checked by			Page	Revision
Date	14/04/2022		4 / 6	

THERMAL LIMIT CURVE

Three Phase Induction Motor - Squirrel Cage



Customer : _____



Rev.	Changes Summary	Performed	Checked	Date
Performed by		Page		Revision
Checked by				
Date				

VFD OPERATION CURVE

Three Phase Induction Motor - Squirrel Cage



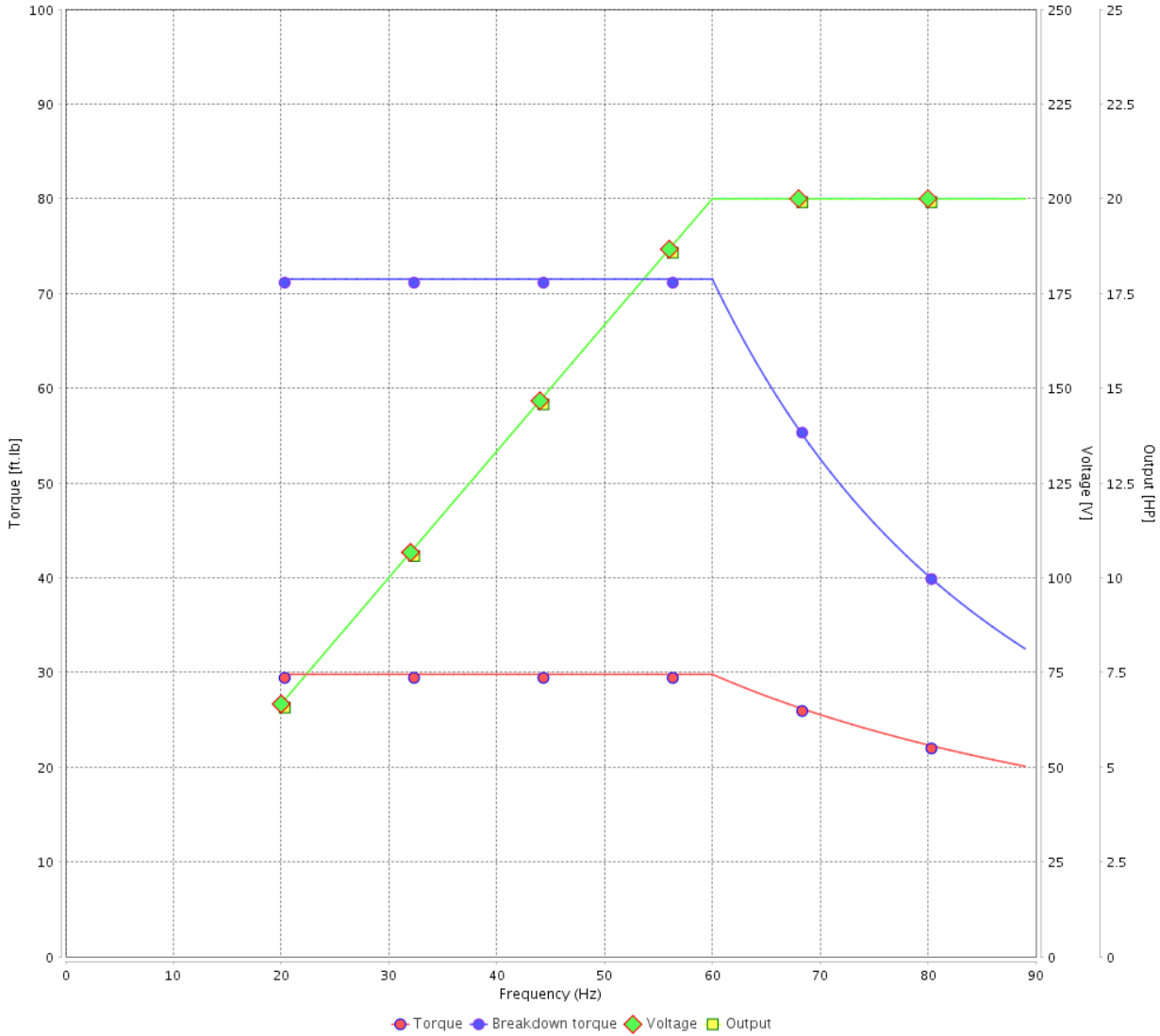
Customer :

Product line : JP Pump NEMA Premium Efficiency Three-Phase

Product code : 13482999

Catalog # : 02036OT3V254JPV-S

VFD OPERATION CURVE



Performance : 200/400 V 60 Hz 2P

Rated current : 54.7/27.4 A
 LRC : 6.0
 Rated torque : 29.8 ft.lb
 Locked rotor torque : 180 %
 Breakdown torque : 240 %
 Rated speed : 3525 rpm

Moment of inertia (J) : 0.7848 sq.ft.lb
 Duty cycle : Cont.(S1)
 Insulation class : F
 Service factor : 1.15
 Temperature rise : 80 K
 Design : B

Rev.	Changes Summary	Performed	Checked	Date
Performed by		Page		Revision
Checked by		6 / 6		
Date	14/04/2022			

1 2 3 4 5 6

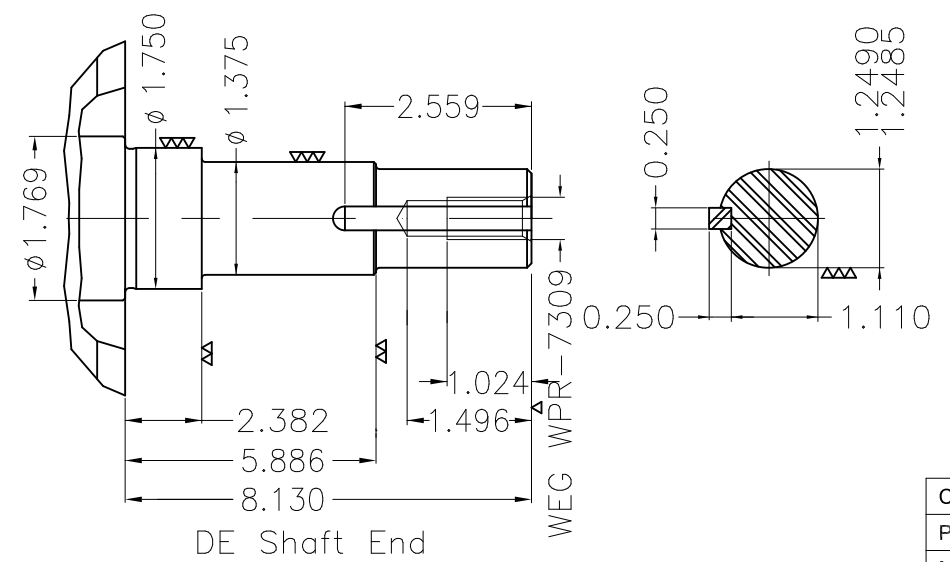
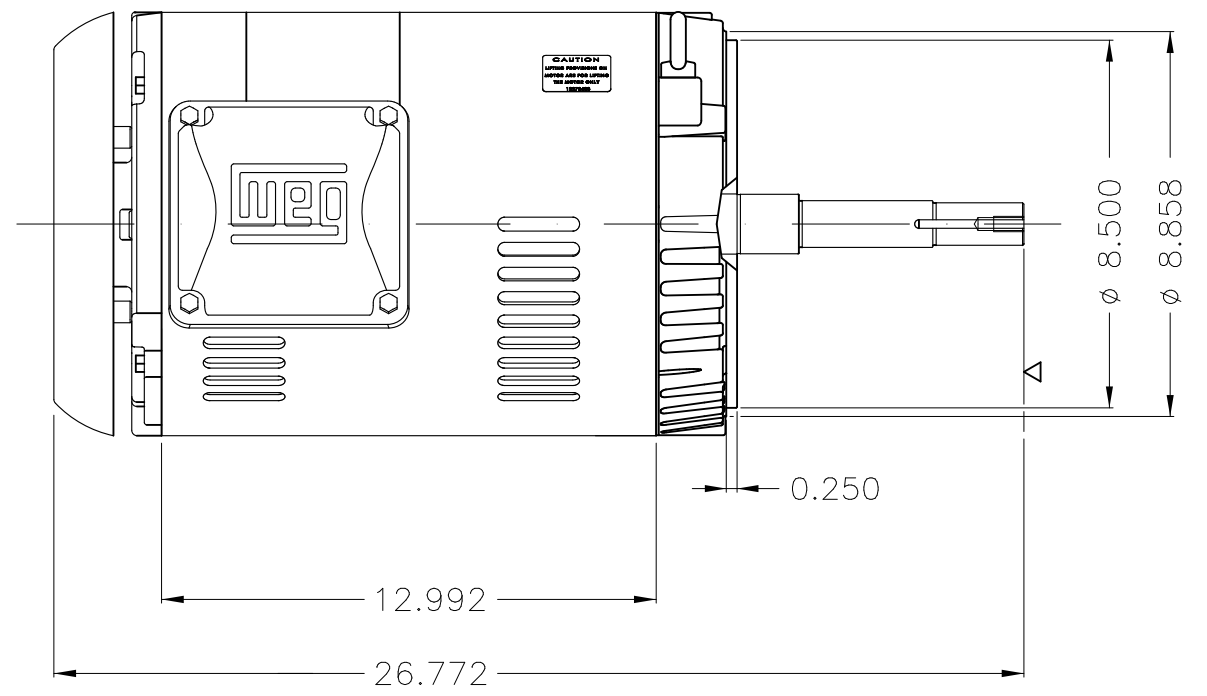
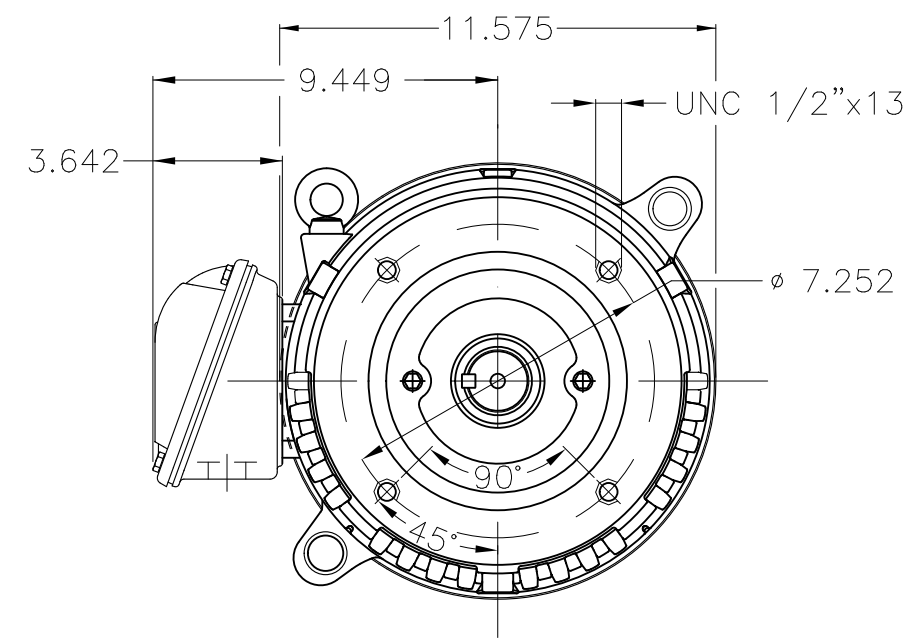
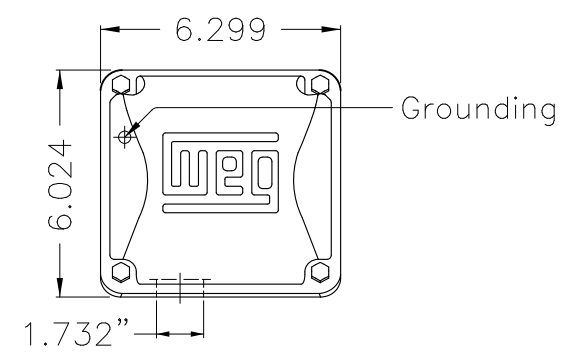
A

B

C

D

E



EUNC 1/2"-13 WEG WPR-7309

Color Munsell N 1 matte black									
Painting plan 207N									
Mounting W-6/V18R(D)									
ECM	LOC	SUMMARY OF MODIFICATIONS			EXECUTED	CHECKED	RELEASED	DATE	VER
EXECUTED	PIRBUSER	THREE PH. MOTOR ROLLED STEEL CLOSE COUPLED PUMP JP 3/4 DE PRELIMET							
CHECKED		FRAME 254/6JP IP21 ODP							
RELEASED									
REL DT.		WMO	Jaragua do Sul	Product Engineering					

PREVIEW
WDD



20 HP 02 Poles 60 Hz