

DATA SHEET



Three Phase Induction Motor - Squirrel Cage

Customer :	
Product line	: NEMA Premium Efficiency Three-Phase
Product code :	11483038
Catalog # :	02512XT3H324T
Frame : 324T Output : 25 HP (18.5 kW) Poles : 6 Frequency : 60 Hz Rated voltage : 575 V Rated current : 24.6 A L. R. Amperes : 153 A LRC : 6.2x(Code G) No load current : 11.2 A Rated speed : 1180 rpm Slip : 1.67 % Rated torque : 111 ft.lb Locked rotor torque : 210 % Breakdown torque : 260 % Insulation class : F Service factor : 1.15 Moment of inertia (J) : 10.8 sq.ft.lb Design : B	Locked rotor time : 45s (cold) 25s (hot) Temperature rise : 80 K Duty cycle : Cont.(S1) Ambient temperature : -20°C to +40°C Altitude : 1000 m.a.s.l. Protection degree : IP55 Cooling method : IC411 - TEFC Mounting : F-1 Rotation ¹ : Both (CW and CCW) Noise level ² : 62.0 dB(A) Starting method : Direct On Line Approx. weight ³ : 634 lb
Output	25% 50% 75% 100%
Efficiency (%)	92.2 92.4 93.0 93.0
Power Factor	0.40 0.65 0.77 0.81
Foundation loads	
Max. traction	: 793 lb
Max. compression	: 1427 lb
Bearing type	: <u>Drive end</u> 6312 2RS C3 <u>Non drive end</u> 6212 2RS C3
Sealing	: Oil Seal Lip Seal
Lubrication interval	: - -
Lubricant amount	: - -
Lubricant type	: Mobil Polyrex EM
Notes	
This revision replaces and cancel the previous one, which must be eliminated. (1) Looking the motor from the shaft end. (2) Measured at 1m and with tolerance of +3dB(A). (3) Approximate weight subject to changes after manufacturing process. (4) At 100% of full load.	
These are average values based on tests with sinusoidal power supply, subject to the tolerances stipulated in NEMA MG-1.	
Rev.	Changes Summary
Performed by	Performed
Checked by	Checked
Date	13/04/2022
Page	1 / 7
Revision	

DATA SHEET

Three Phase Induction Motor - Squirrel Cage



Customer : _____

Thermal protection

ID	Application	Type	Quantity	Sensing Temperature
1	Winding	Thermostat - 2 wires	1 x Phase	155 °C

Rev.	Changes Summary	Performed	Checked	Date
Performed by				
Checked by			Page	Revision
Date	13/04/2022		2 / 7	

TORQUE AND CURRENT VS SPEED CURVE



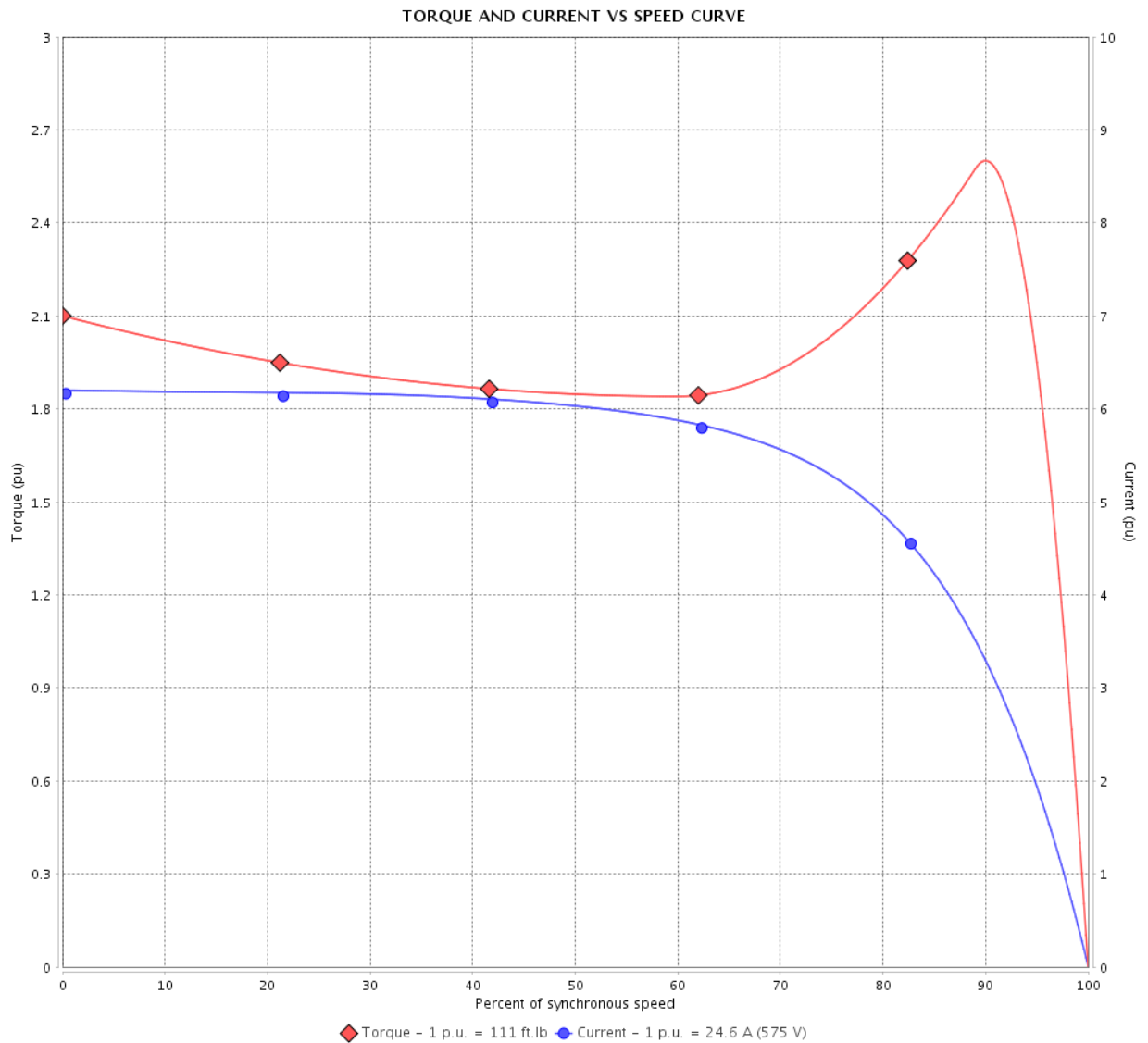
Three Phase Induction Motor - Squirrel Cage

Customer :

Product line : NEMA Premium Efficiency Three-Phase

Product code : 11483038

Catalog # : 02512XT3H324T



Performance : 575 V 60 Hz 6P

Rated current	: 24.6 A	Moment of inertia (J)	: 10.8 sq.ft.lb
LRC	: 6.2	Duty cycle	: Cont.(S1)
Rated torque	: 111 ft.lb	Insulation class	: F
Locked rotor torque	: 210 %	Service factor	: 1.15
Breakdown torque	: 260 %	Temperature rise	: 80 K
Rated speed	: 1180 rpm	Design	: B

Locked rotor time : 45s (cold) 25s (hot)

Rev.	Changes Summary	Performed	Checked	Date
Performed by			Page 3 / 7	Revision
Checked by				
Date	13/04/2022			

LOAD PERFORMANCE CURVE

Three Phase Induction Motor - Squirrel Cage



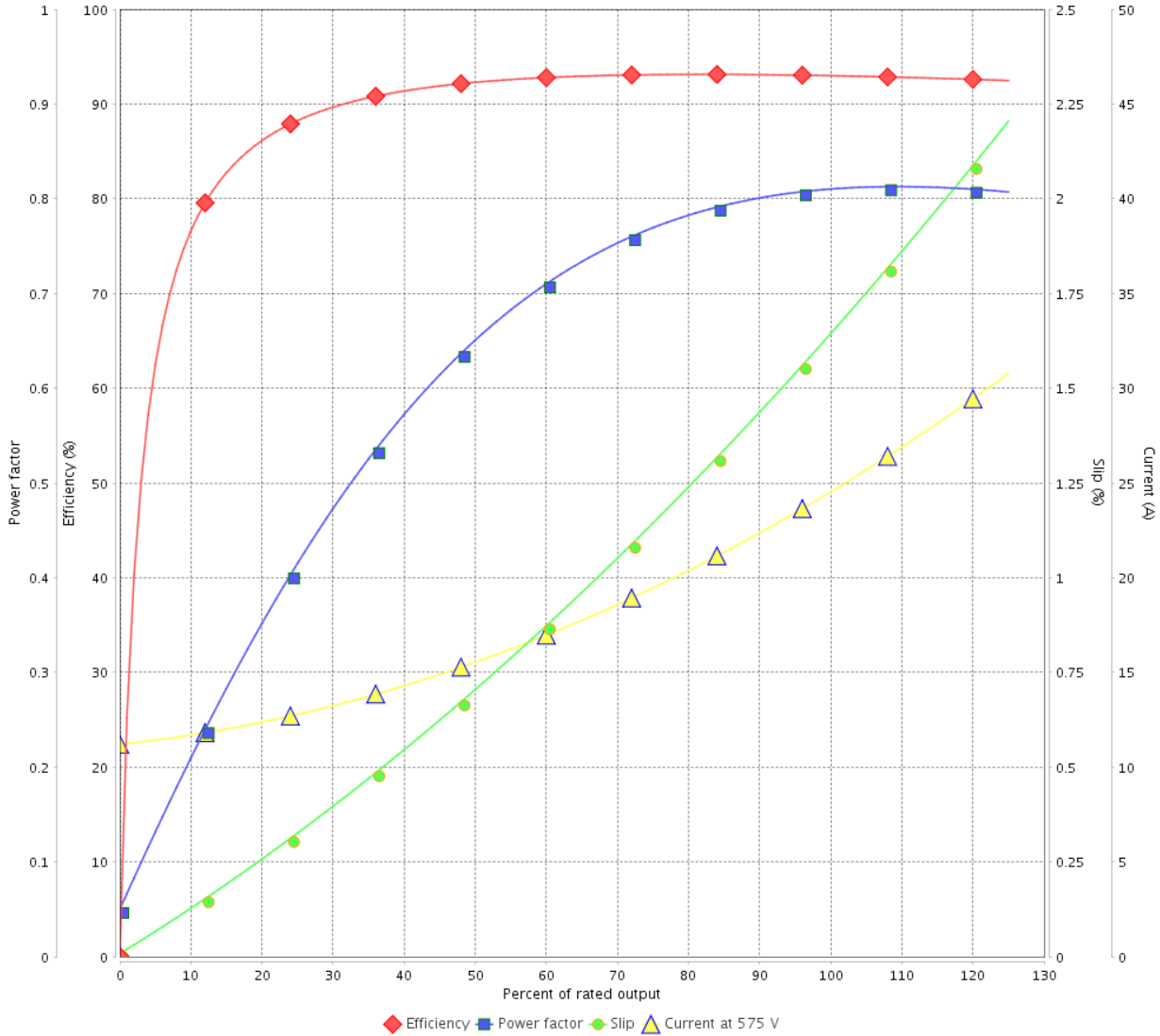
Customer : _____

Product line : NEMA Premium Efficiency Three-Phase

Product code : 11483038

Catalog # : 02512XT3H324T

LOAD PERFORMANCE CURVE



Performance : 575 V 60 Hz 6P

Rated current : 24.6 A
 LRC : 6.2
 Rated torque : 111 ft.lb
 Locked rotor torque : 210 %
 Breakdown torque : 260 %
 Rated speed : 1180 rpm

Moment of inertia (J) : 10.8 sq.ft.lb
 Duty cycle : Cont.(S1)
 Insulation class : F
 Service factor : 1.15
 Temperature rise : 80 K
 Design : B

Rev.	Changes Summary	Performed	Checked	Date
Performed by			Page 4 / 7	Revision
Checked by				
Date	13/04/2022			

THERMAL LIMIT CURVE



Three Phase Induction Motor - Squirrel Cage

Customer :

Product line : NEMA Premium Efficiency Three-Phase
Product code : 11483038
Catalog # : 02512XT3H324T

Performance : 575 V 60 Hz 6P

Rated current : 24.6 A	Moment of inertia (J) : 10.8 sq.ft.lb
LRC : 6.2	Duty cycle : Cont.(S1)
Rated torque : 111 ft.lb	Insulation class : F
Locked rotor torque : 210 %	Service factor : 1.15
Breakdown torque : 260 %	Temperature rise : 80 K
Rated speed : 1180 rpm	Design : B

Heating constant

Cooling constant

Rev.	Changes Summary	Performed	Checked	Date
Performed by				
Checked by			Page	Revision
Date	13/04/2022		5 / 7	

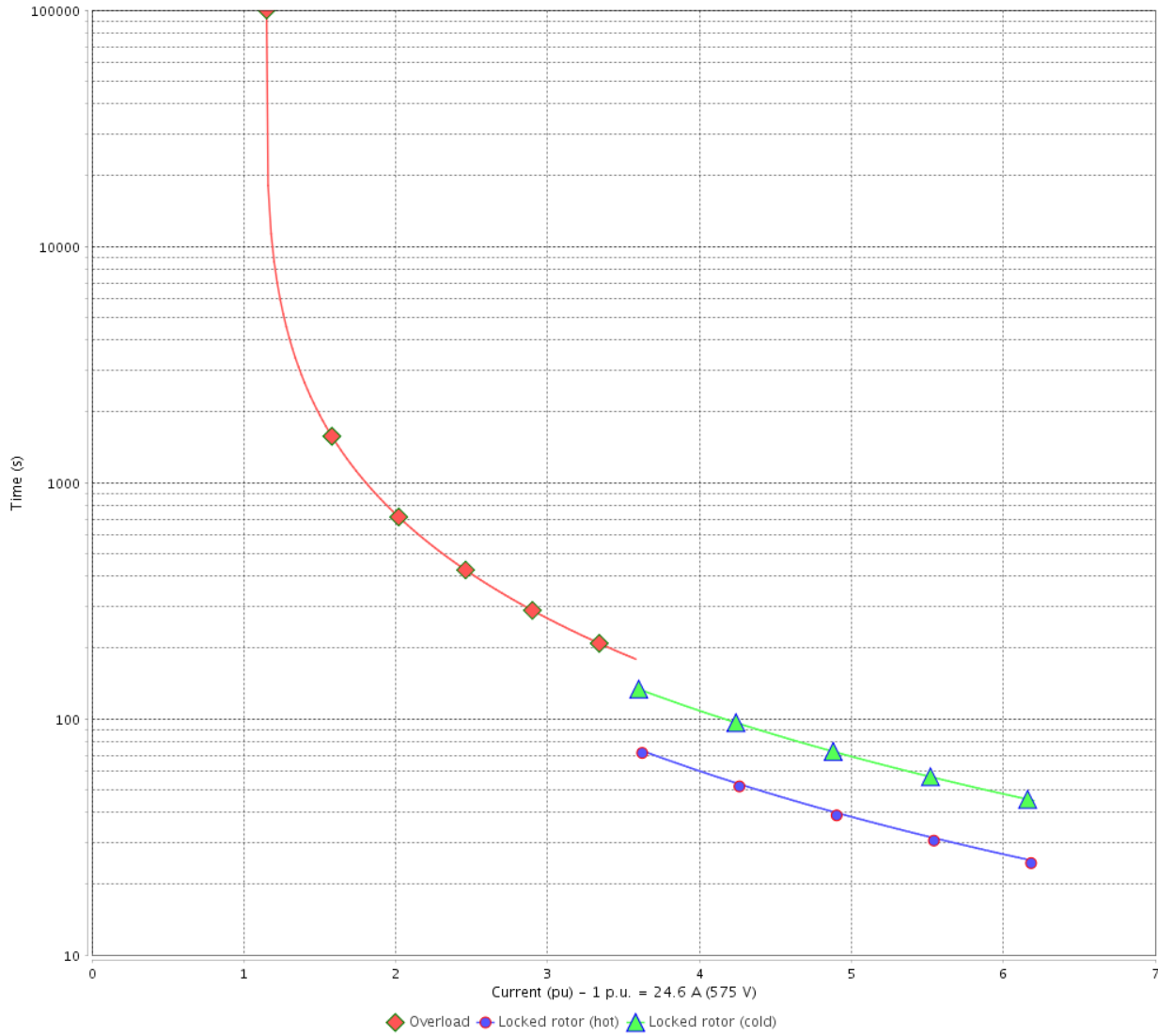
THERMAL LIMIT CURVE

Three Phase Induction Motor - Squirrel Cage



Customer : _____

THERMAL LIMIT CURVE



Rev.	Changes Summary	Performed	Checked	Date
Performed by		Page		Revision
Checked by		6 / 7		
Date		13/04/2022		

VFD OPERATION CURVE

Three Phase Induction Motor - Squirrel Cage

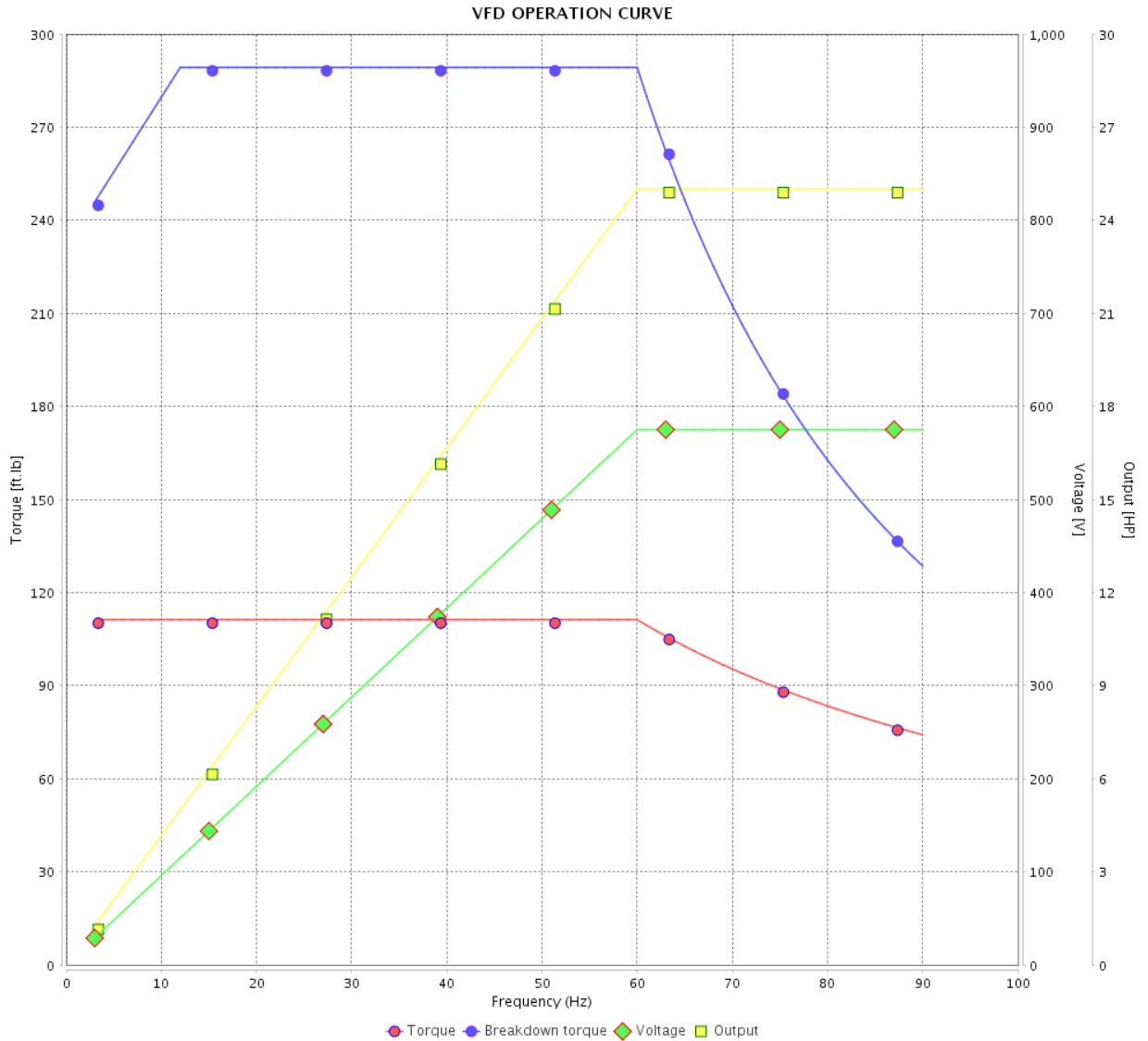


Customer :

Product line : NEMA Premium Efficiency Three-Phase

Product code : 11483038

Catalog # : 02512XT3H324T

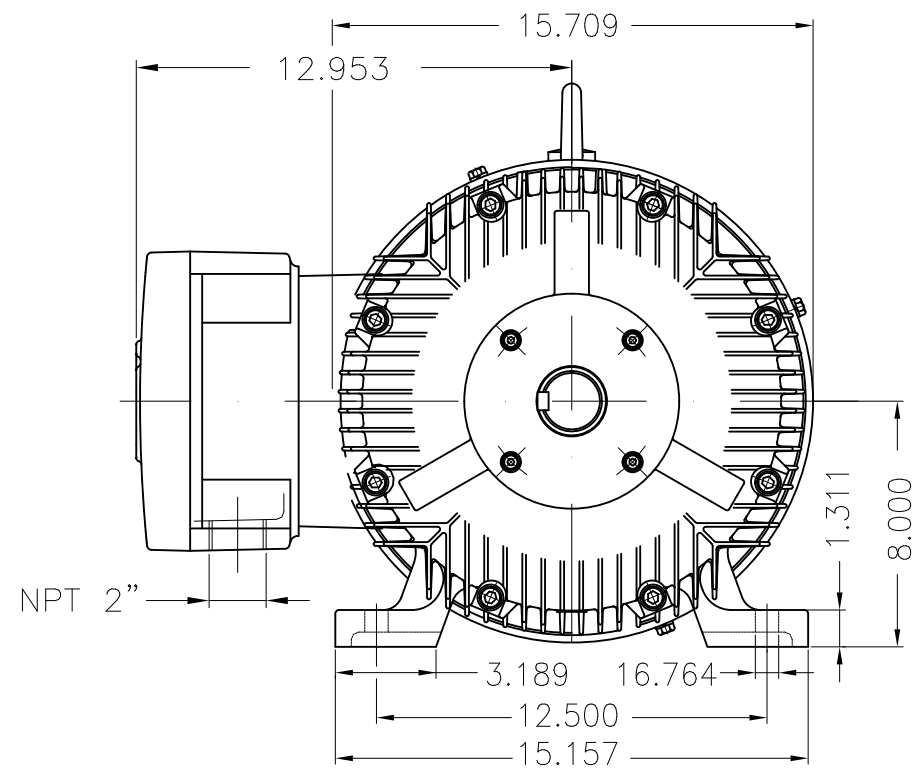


Performance : 575 V 60 Hz 6P

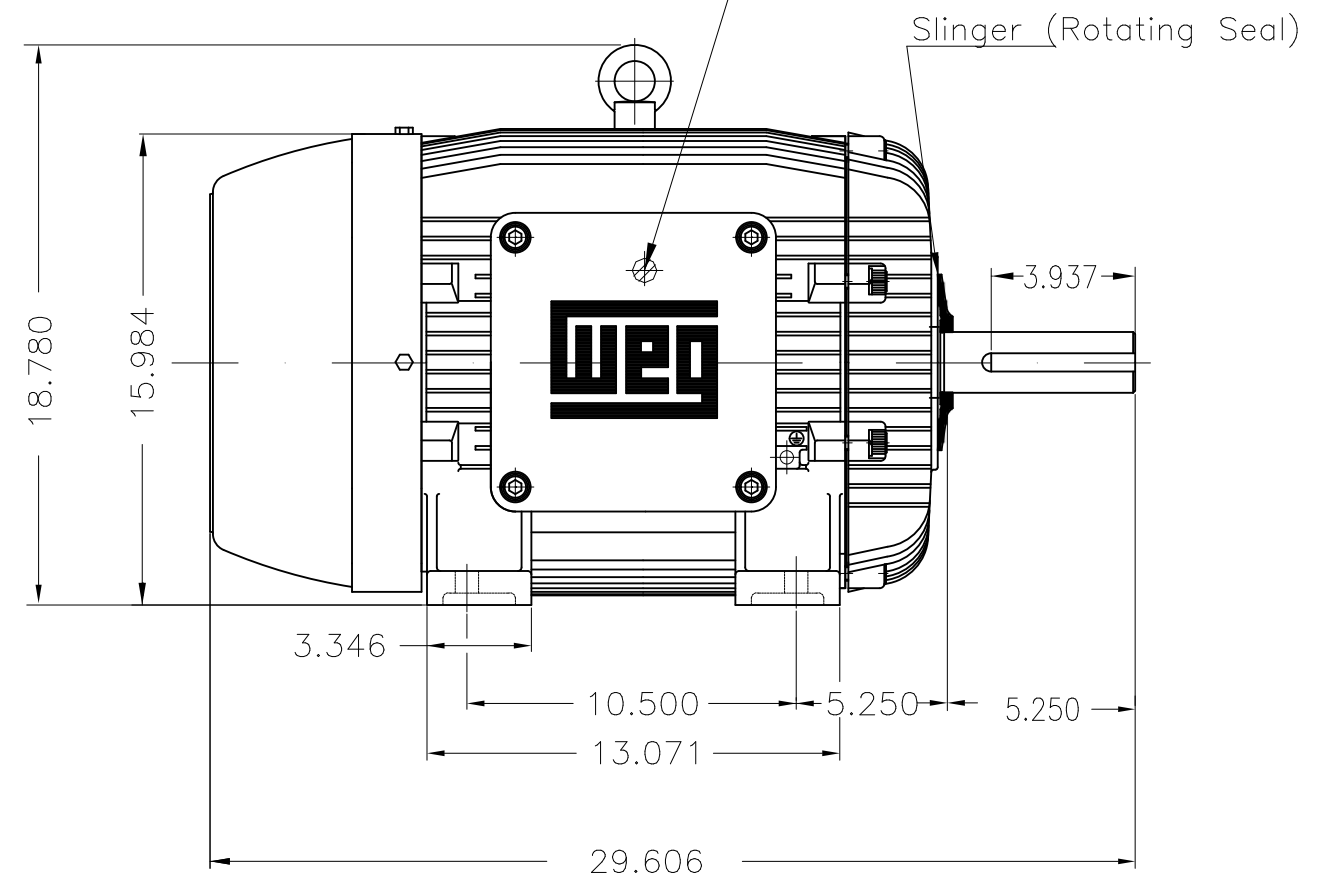
Rated current : 24.6 A
 LRC : 6.2
 Rated torque : 111 ft.lb
 Locked rotor torque : 210 %
 Breakdown torque : 260 %
 Rated speed : 1180 rpm

Moment of inertia (J) : 10.8 sq.ft.lb
 Duty cycle : Cont.(S1)
 Insulation class : F
 Service factor : 1.15
 Temperature rise : 80 K
 Design : B

Rev.	Changes Summary	Performed	Checked	Date
Performed by		Page		Revision
Checked by		7 / 7		
Date		13/04/2022		



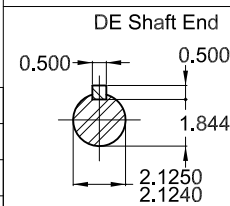
Grounding for leads 5.2–35 mm² / 10–2 AWG



25 HP 06 Poles 60 Hz

A

Without Grease fitting
 Color RAL 5009
 Painting plan 202P
 Mounting B3R(D)



ECM	LOC	SUMMARY OF MODIFICATIONS	EXECUTED	CHECKED	RELEASED	DATE	VER
EXECUTED	PIRWBUSER	THREE PH. MOTOR EXPLOSION PROOF PREM. EFF.					
CHECKED		FRAME 324T IP55 TEFC					
RELEASED							
REL DT.	WMO	Jaragua do Sul	Product Engineering	SHEET	1 / 1		

PREVIEW
 WDD

