

DATA SHEET



Three Phase Induction Motor - Squirrel Cage

Customer :				
Product line	: NEMA Premium Efficiency Three-Phase	Product code :	12700685	
		Catalog # :	02518ET3E284T-W22G	
Frame	: 284/6T	Cooling method	: IC411 - TEFC	
Insulation class	: F	Mounting	: F-1	
Duty cycle	: Cont.(S1)	Rotation ¹	: Both (CW and CCW)	
Ambient temperature	: -20°C to +40°C	Starting method	: Direct On Line	
Altitude	: 1000 m.a.s.l.	Approx. weight ²	: 408 lb	
Protection degree	: IP55	Moment of inertia (J)		
Design	: B			
Output [HP]	25		25	
Poles	4		4	
Frequency [Hz]	60		50	
Rated voltage [V]	208-230/460		380	
Rated current [A]	65.2-59.0/29.5		35.6	
L. R. Amperes [A]	404-366/183		174	
LRC [A]	6.2x(Code G)		4.9x(Code E)	
No load current [A]	18.1-21.0/10.5		10.4	
Rated speed [RPM]	1765		1445	
Slip [%]	1.94		3.67	
Rated torque [ft.lb]	74.4		90.9	
Locked rotor torque [%]	240		180	
Breakdown torque [%]	270		210	
Service factor	1.25		1.00	
Temperature rise	80 K		80 K	
Locked rotor time	43s (cold) 24s (hot)		32s (cold) 18s (hot)	
Noise level ²	64.0 dB(A)		61.0 dB(A)	
Efficiency (%)	25%	0.000	0.000	
	50%	92.4	92.4	
	75%	93.0	91.7	
	100%	93.6	91.7	
Power Factor	25%	0.00	0.00	
	50%	0.70	0.76	
	75%	0.80	0.84	
	100%	0.84	0.86	
Bearing type	: <u>Drive end</u> 6311 C3 <u>Non drive end</u> 6211 C3	Foundation loads		
Sealing	: V'Ring V'Ring	Max. traction	: 628 lb	
Lubrication interval	: 20000 h 20000 h	Max. compression	: 1036 lb	
Lubricant amount	: 18 g 11 g			
Lubricant type	: Mobil Polyrex EM			
Notes				
This revision replaces and cancel the previous one, which must be eliminated. (1) Looking the motor from the shaft end. (2) Measured at 1m and with tolerance of +3dB(A). (3) Approximate weight subject to changes after manufacturing process. (4) At 100% of full load.		These are average values based on tests with sinusoidal power supply, subject to the tolerances stipulated in NEMA MG-1.		
Rev.	Changes Summary	Performed	Checked	Date
Performed by				
Checked by			Page	Revision
Date	14/04/2022		1 / 11	

TORQUE AND CURRENT VS SPEED CURVE

Three Phase Induction Motor - Squirrel Cage



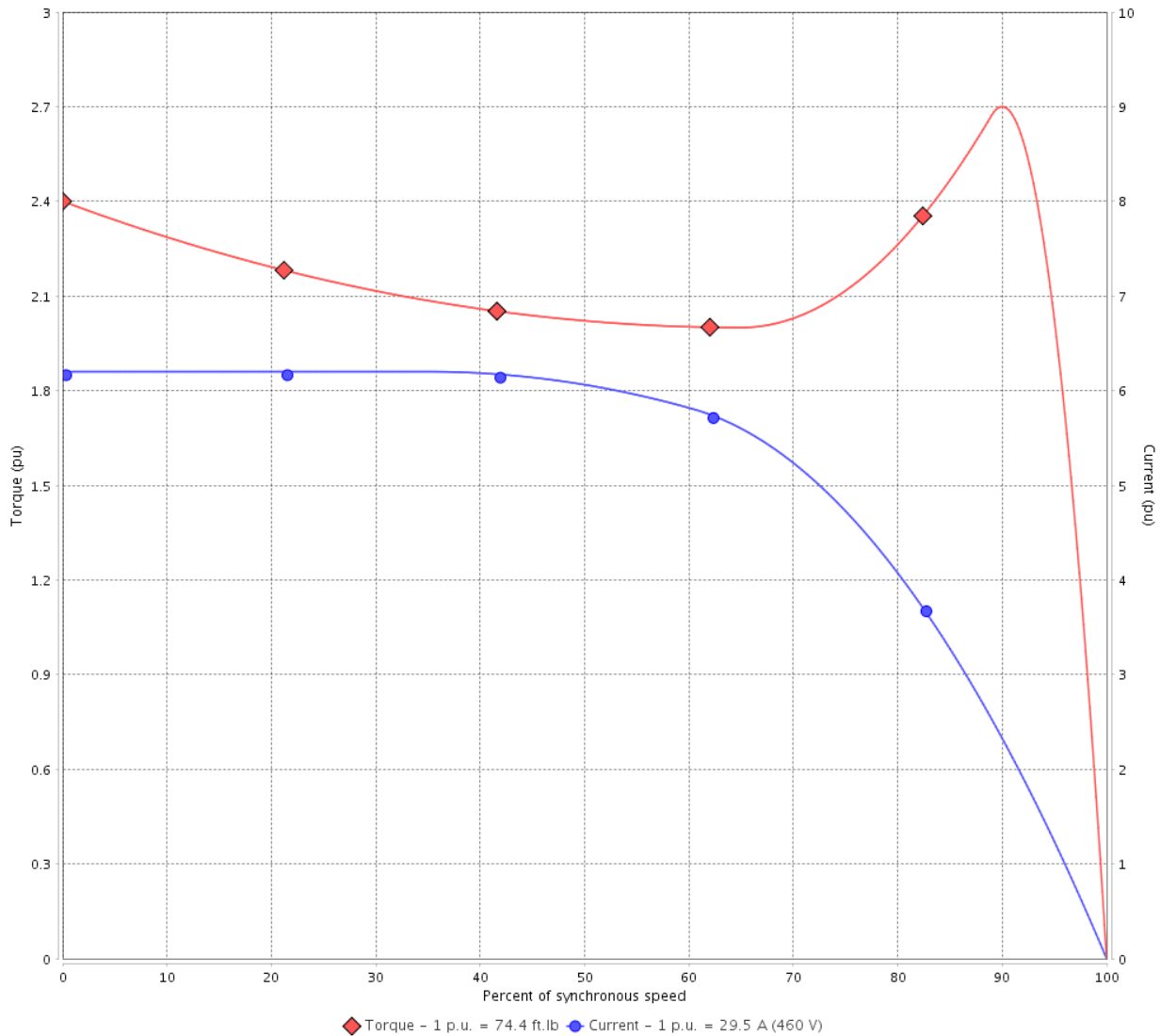
Customer :

Product line : NEMA Premium Efficiency Three-Phase

Product code : 12700685

Catalog # : 02518ET3E284T-W22G

TORQUE AND CURRENT VS SPEED CURVE



Performance : 208-230/460 V 60 Hz 4P

Rated current	: 65.2-59.0/29.5 A	Moment of inertia (J)	
LRC	: 6.2	Duty cycle	: Cont.(S1)
Rated torque	: 74.4 ft.lb	Insulation class	: F
Locked rotor torque	: 240 %	Service factor	: 1.25
Breakdown torque	: 270 %	Temperature rise	: 80 K
Rated speed	: 1765 rpm	Design	: B

Locked rotor time : 43s (cold) 24s (hot)

Rev.	Changes Summary	Performed	Checked	Date
Performed by			Page 2 / 11	Revision
Checked by				
Date	14/04/2022			

TORQUE AND CURRENT VS SPEED CURVE



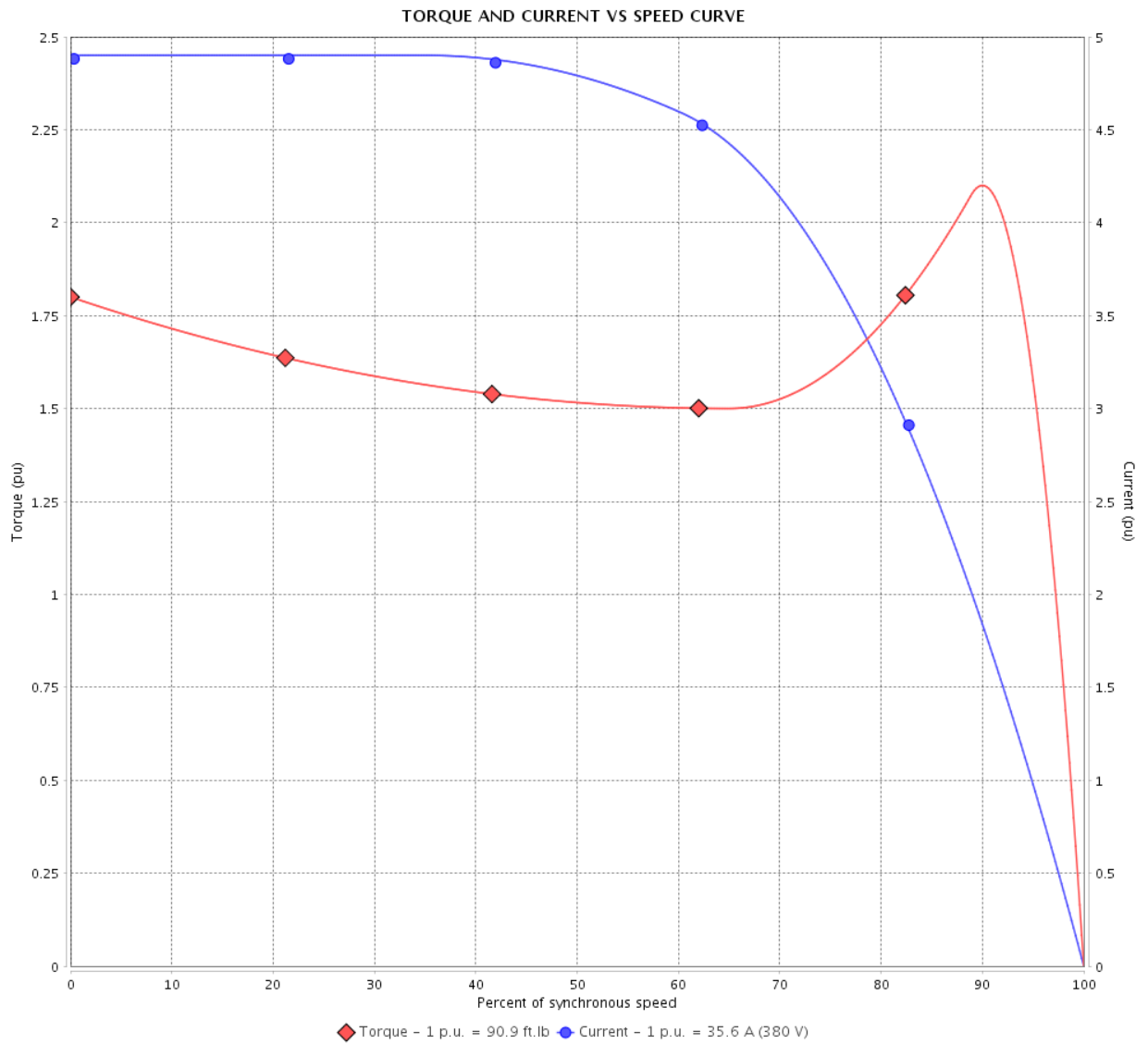
Three Phase Induction Motor - Squirrel Cage

Customer :

Product line : NEMA Premium Efficiency Three-Phase

Product code : 12700685

Catalog # : 02518ET3E284T-W22G



Performance : 380 V 50 Hz 4P

Rated current : 35.6 A
 LRC : 4.9
 Rated torque : 90.9 ft.lb
 Locked rotor torque : 180 %
 Breakdown torque : 210 %
 Rated speed : 1445 rpm

Moment of inertia (J)
 Duty cycle : Cont.(S1)
 Insulation class : F
 Service factor : 1.00
 Temperature rise : 80 K
 Design : B

Locked rotor time : 32s (cold) 18s (hot)

Rev.	Changes Summary	Performed	Checked	Date
Performed by			Page 3 / 11	Revision
Checked by				
Date	14/04/2022			

LOAD PERFORMANCE CURVE

Three Phase Induction Motor - Squirrel Cage

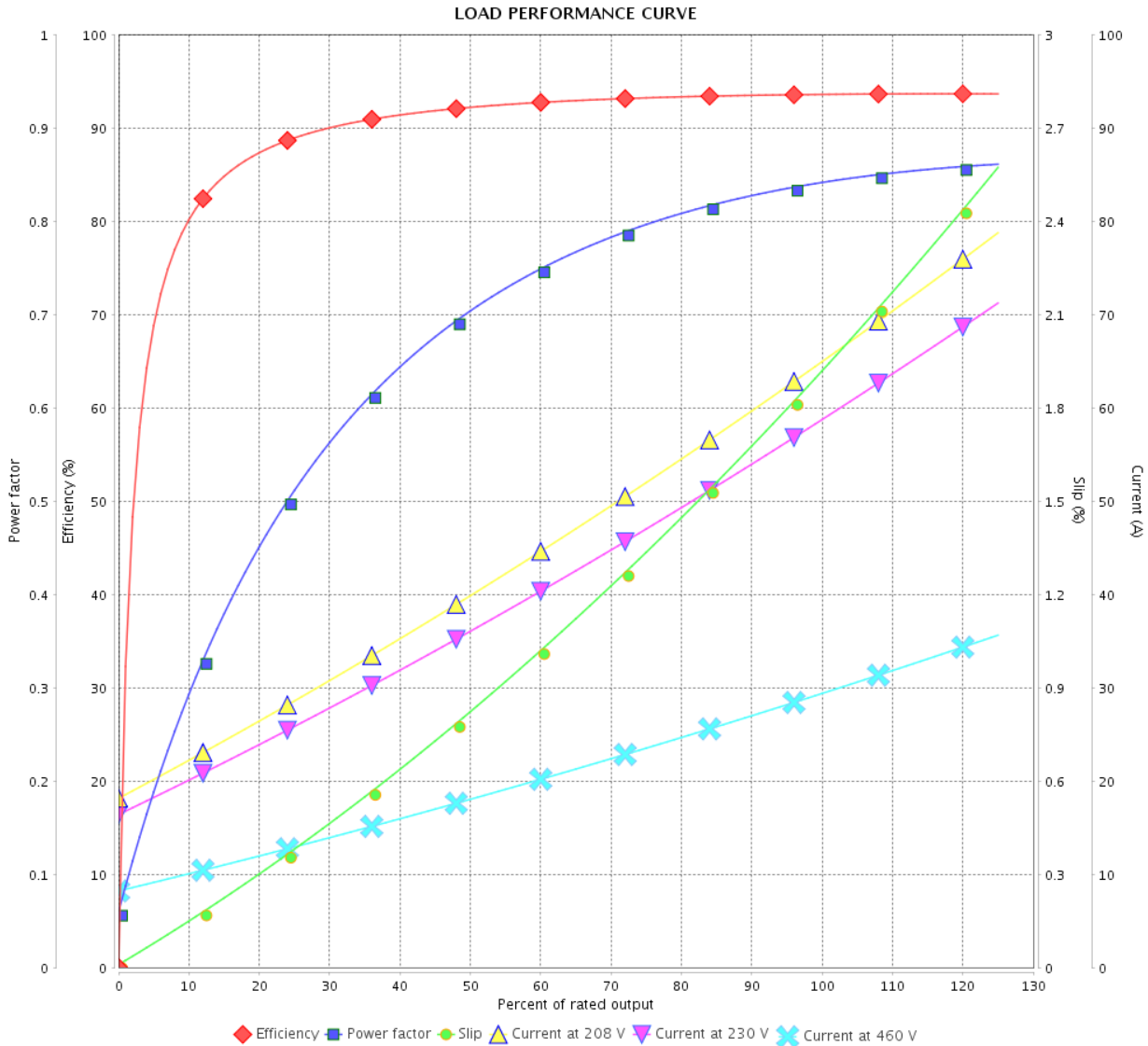


Customer :

Product line : NEMA Premium Efficiency Three-Phase

Product code : 12700685

Catalog # : 02518ET3E284T-W22G



Performance : 208-230/460 V 60 Hz 4P

Rated current : 65.2-59.0/29.5 A
 LRC : 6.2
 Rated torque : 74.4 ft.lb
 Locked rotor torque : 240 %
 Breakdown torque : 270 %
 Rated speed : 1765 rpm

Moment of inertia (J)
 Duty cycle : Cont.(S1)
 Insulation class : F
 Service factor : 1.25
 Temperature rise : 80 K
 Design : B

Rev.	Changes Summary	Performed	Checked	Date
Performed by	14/04/2022	Page		Revision
Checked by		4 / 11		
Date				

LOAD PERFORMANCE CURVE

Three Phase Induction Motor - Squirrel Cage

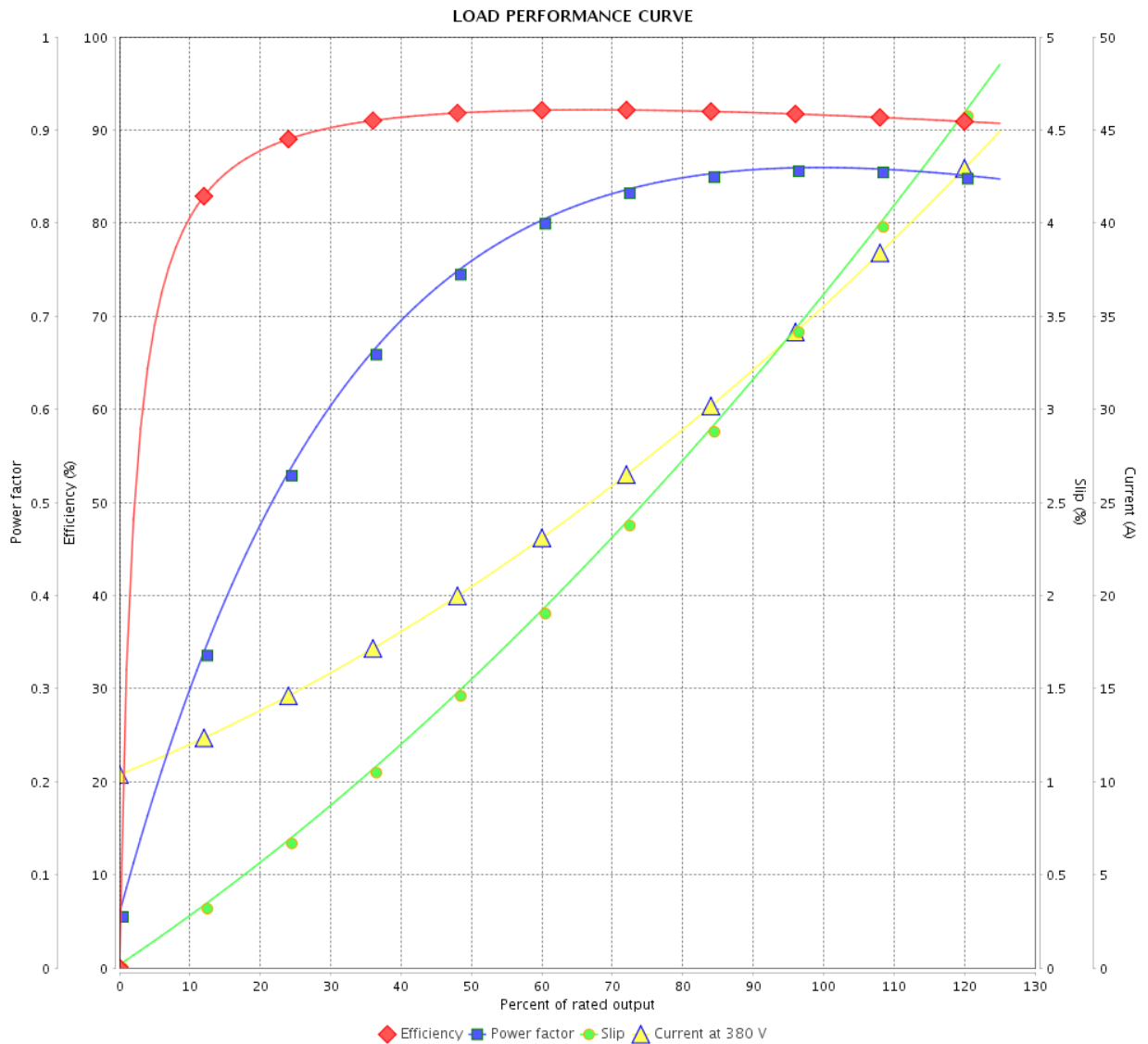


Customer : _____

Product line : NEMA Premium Efficiency Three-Phase

Product code : 12700685

Catalog # : 02518ET3E284T-W22G



Performance : 380 V 50 Hz 4P

Rated current : 35.6 A
 LRC : 4.9
 Rated torque : 90.9 ft.lb
 Locked rotor torque : 180 %
 Breakdown torque : 210 %
 Rated speed : 1445 rpm

Moment of inertia (J)
 Duty cycle : Cont.(S1)
 Insulation class : F
 Service factor : 1.00
 Temperature rise : 80 K
 Design : B

Rev.	Changes Summary	Performed	Checked	Date
Performed by		Page		Revision
Checked by		5 / 11		
Date		14/04/2022		

THERMAL LIMIT CURVE

Three Phase Induction Motor - Squirrel Cage



Customer :

Product line : NEMA Premium Efficiency Three-Phase
Product code : 12700685
Catalog # : 02518ET3E284T-W22G

Performance : 208-230/460 V 60 Hz 4P

Rated current	: 65.2-59.0/29.5 A	Moment of inertia (J)	
LRC	: 6.2	Duty cycle	: Cont.(S1)
Rated torque	: 74.4 ft.lb	Insulation class	: F
Locked rotor torque	: 240 %	Service factor	: 1.25
Breakdown torque	: 270 %	Temperature rise	: 80 K
Rated speed	: 1765 rpm	Design	: B

Heating constant

Cooling constant

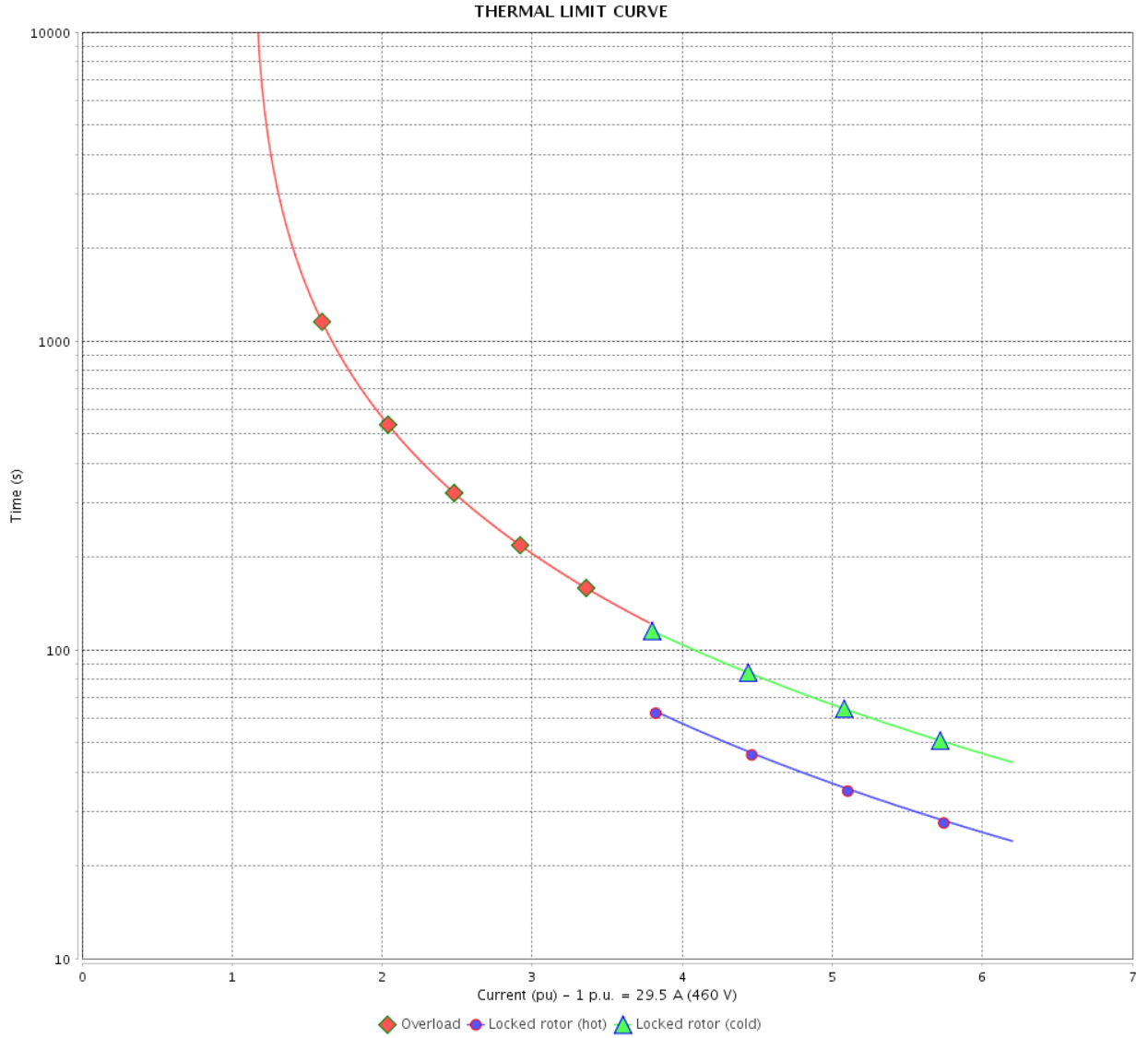
Rev.	Changes Summary	Performed	Checked	Date
Performed by				
Checked by			Page	Revision
Date	14/04/2022		6 / 11	

THERMAL LIMIT CURVE

Three Phase Induction Motor - Squirrel Cage



Customer : _____



Rev.	Changes Summary	Performed	Checked	Date
Performed by		Page 7 / 11		Revision
Checked by				
Date				

THERMAL LIMIT CURVE

Three Phase Induction Motor - Squirrel Cage



Customer :

Product line : NEMA Premium Efficiency Three-Phase
Product code : 12700685
Catalog # : 02518ET3E284T-W22G

Performance : 380 V 50 Hz 4P

Rated current	: 35.6 A	Moment of inertia (J)	
LRC	: 4.9	Duty cycle	: Cont.(S1)
Rated torque	: 90.9 ft.lb	Insulation class	: F
Locked rotor torque	: 180 %	Service factor	: 1.00
Breakdown torque	: 210 %	Temperature rise	: 80 K
Rated speed	: 1445 rpm	Design	: B

Heating constant

Cooling constant

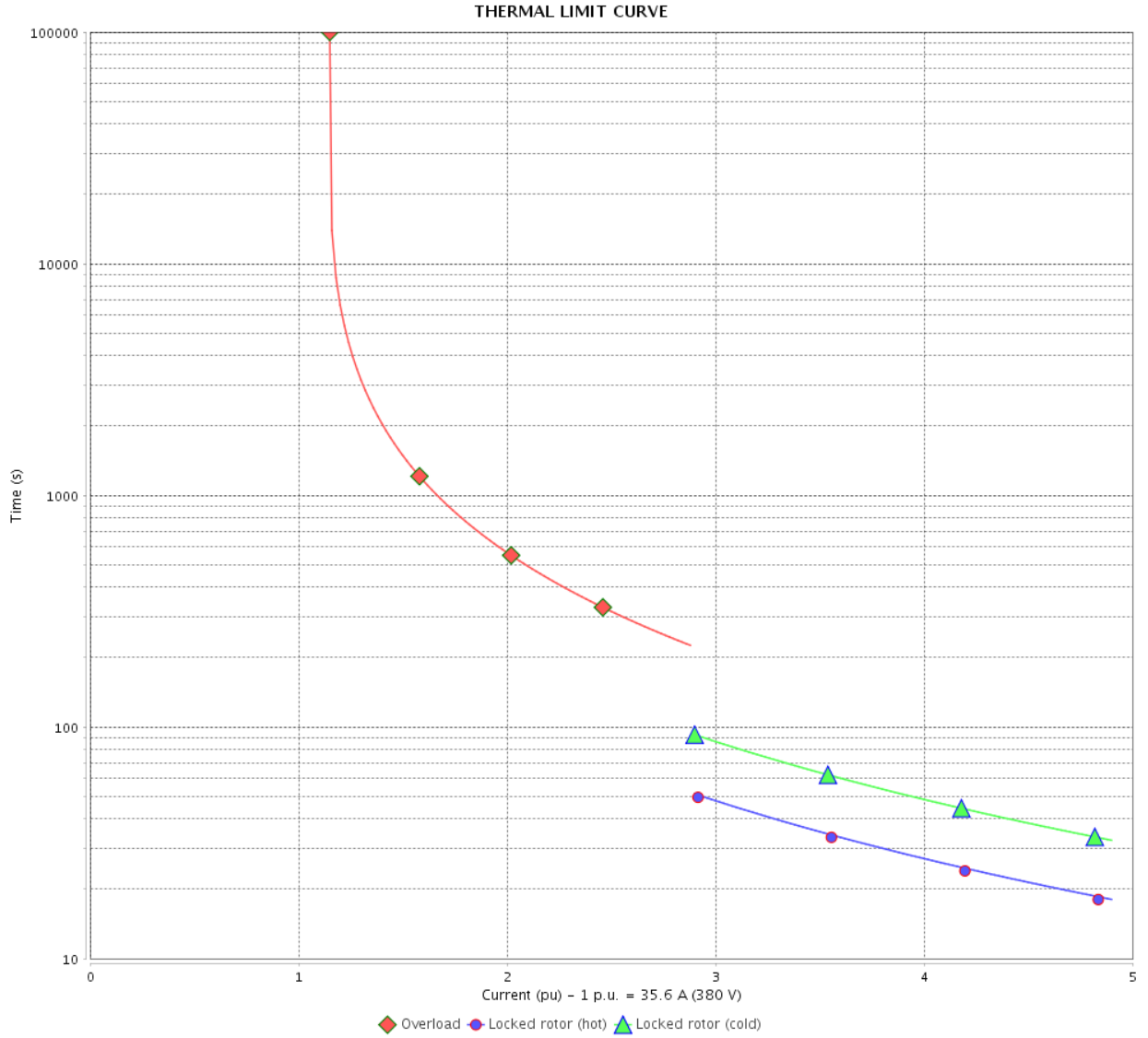
Rev.	Changes Summary	Performed	Checked	Date
Performed by				
Checked by			Page	Revision
Date	14/04/2022		8 / 11	

THERMAL LIMIT CURVE

Three Phase Induction Motor - Squirrel Cage



Customer : _____



Rev.	Changes Summary	Performed	Checked	Date
Performed by				
Checked by				
Date				
		Page	Revision	
		9 / 11		

VFD OPERATION CURVE

Three Phase Induction Motor - Squirrel Cage



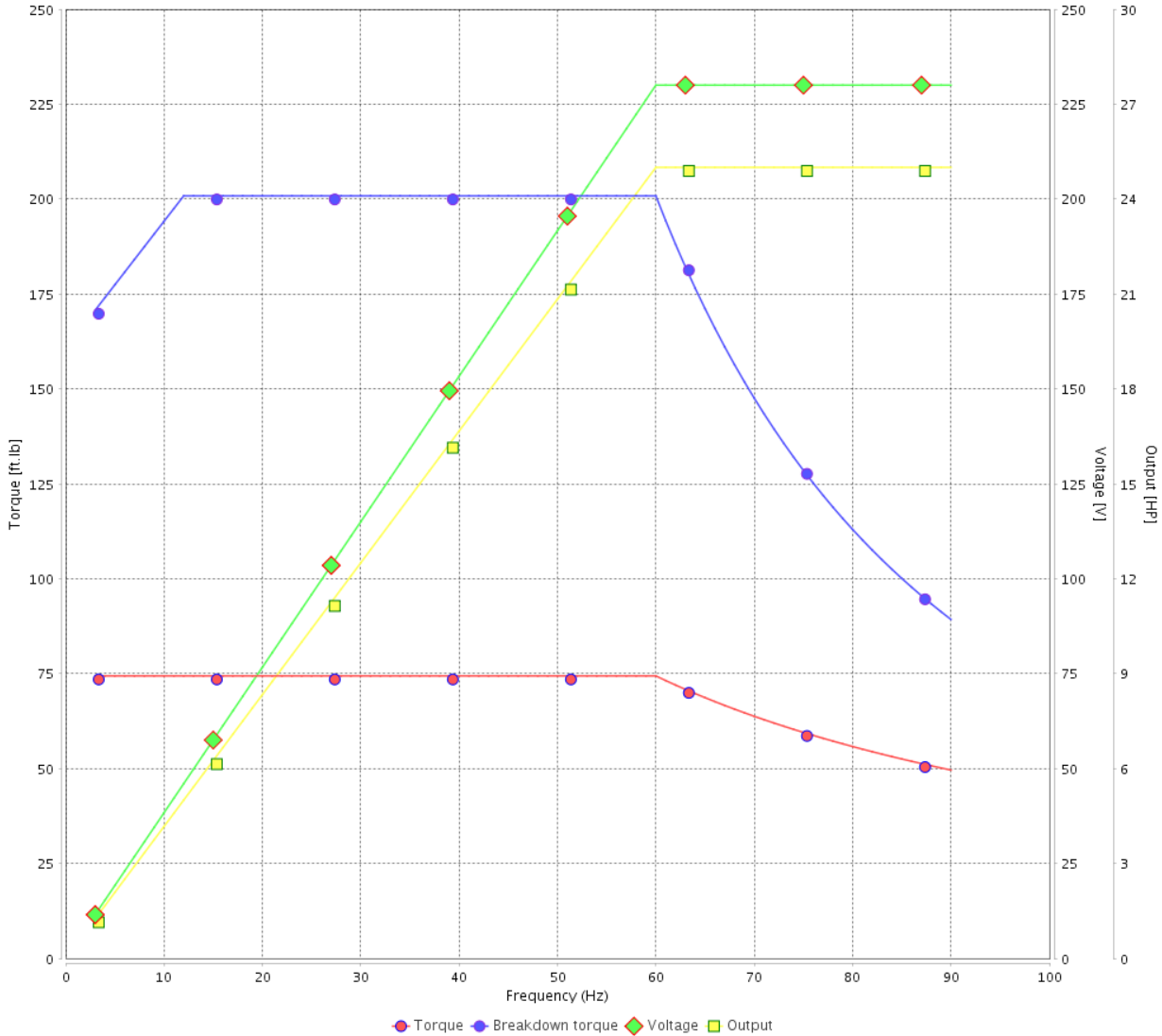
Customer :

Product line : NEMA Premium Efficiency Three-Phase

Product code : 12700685

Catalog # : 02518ET3E284T-W22G

VFD OPERATION CURVE



Performance : 208-230/460 V 60 Hz 4P

Rated current : 65.2-59.0/29.5 A
 LRC : 6.2
 Rated torque : 74.4 ft.lb
 Locked rotor torque : 240 %
 Breakdown torque : 270 %
 Rated speed : 1765 rpm

Moment of inertia (J)
 Duty cycle : Cont.(S1)
 Insulation class : F
 Service factor : 1.25
 Temperature rise : 80 K
 Design : B

Rev.	Changes Summary	Performed	Checked	Date
Performed by			Page	Revision
Checked by				
Date				

VFD OPERATION CURVE

Three Phase Induction Motor - Squirrel Cage

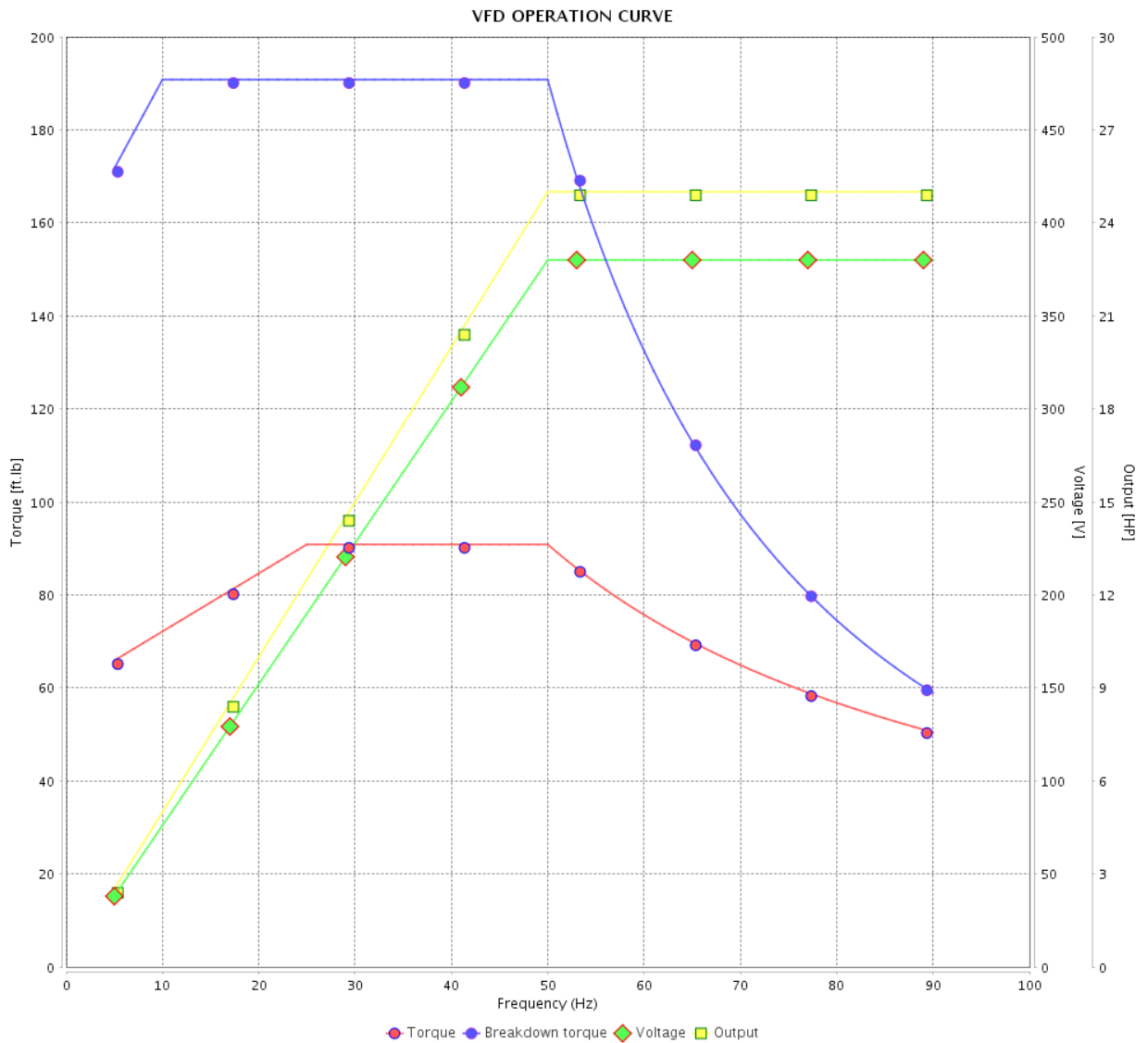


Customer : _____

Product line : NEMA Premium Efficiency Three-Phase

Product code : 12700685

Catalog # : 02518ET3E284T-W22G



Performance : 380 V 50 Hz 4P

Rated current : 35.6 A
 LRC : 4.9
 Rated torque : 90.9 ft.lb
 Locked rotor torque : 180 %
 Breakdown torque : 210 %
 Rated speed : 1445 rpm

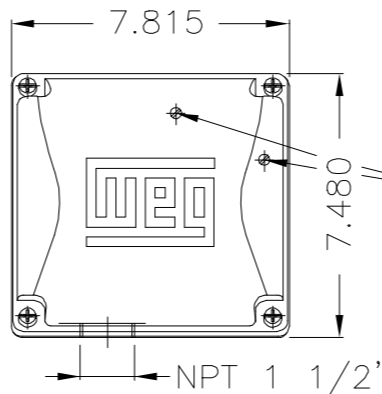
Moment of inertia (J)
 Duty cycle : Cont.(S1)
 Insulation class : F
 Service factor : 1.00
 Temperature rise : 80 K
 Design : B

Rev.	Changes Summary	Performed	Checked	Date
Performed by			Page	Revision
Checked by				
Date				

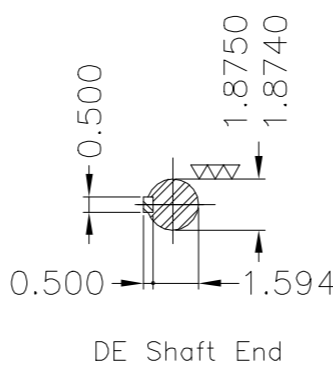
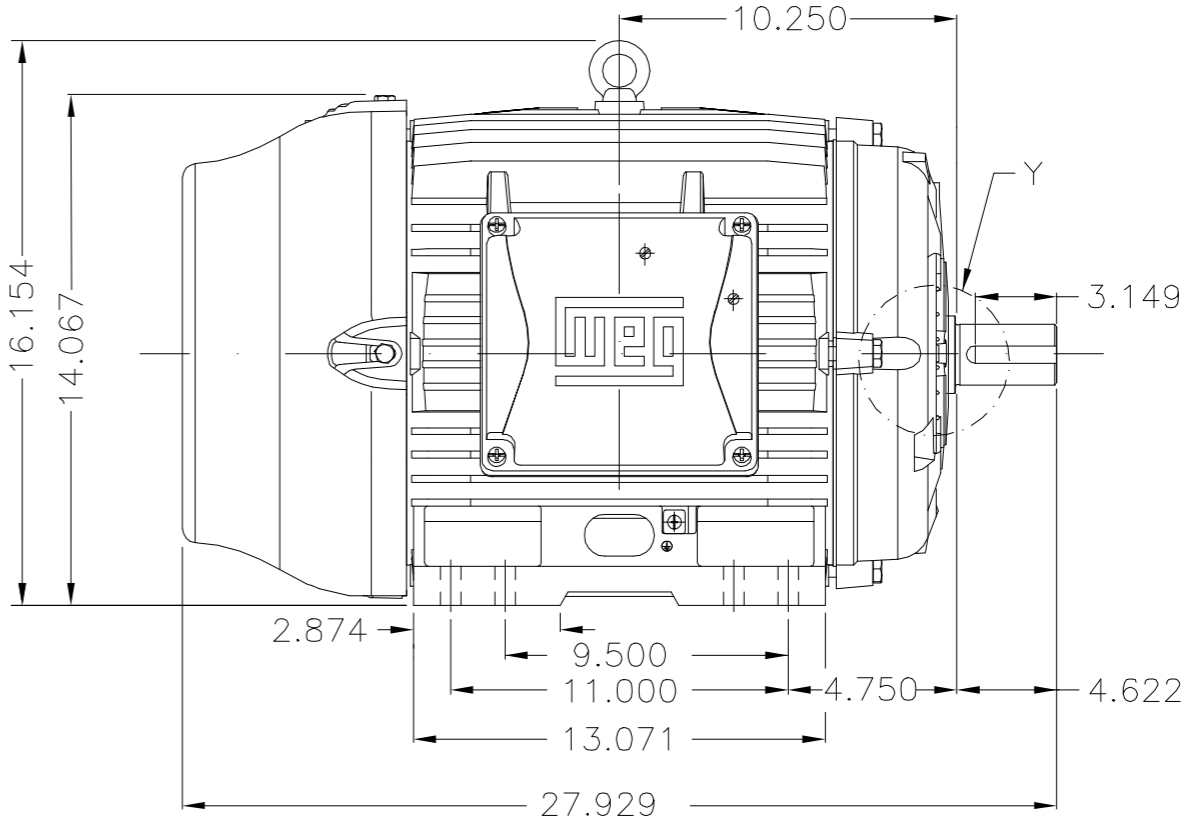
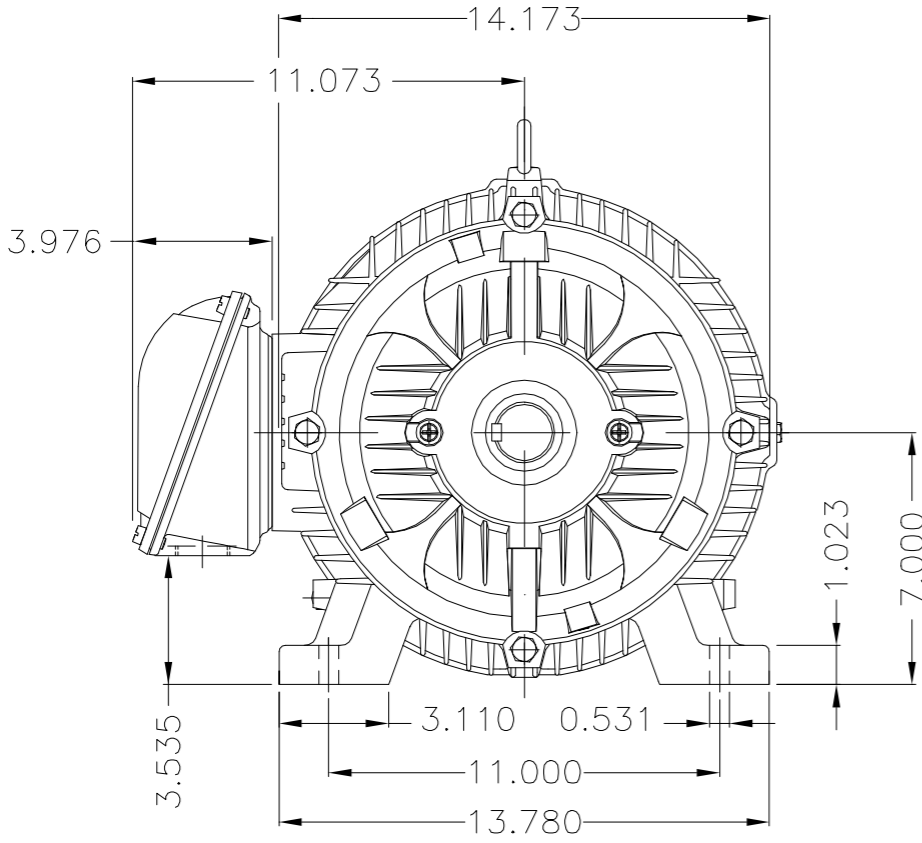
EIXO/SHAFT	
PADRÃO/STANDARD	X
OPCIONAL/OPTIONAL	
ESPECIAL/SPECIAL	

Dimensões em polegadas
Dimensions in inches

THIS IS AN UPDATED REVISION, THE PREVIOUS ONE MUST BE DISREGARDED.

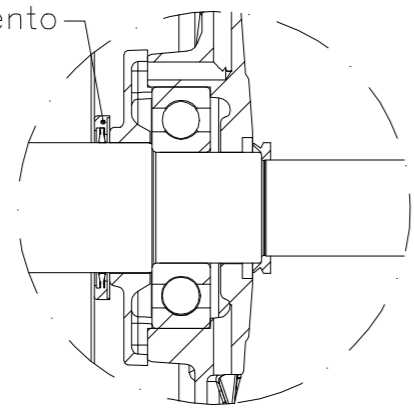


Main terminal box



DE Shaft End

Anel de aterramento



Detail Y

Kit porta escova de aterramento AEGIS interno na tampa dianteira /
Brush holder Kit AEGIS internal D.E.
Plano de pintura 203A / Painting plan 203A
Forma construtiva NEMA F-1 / Mounting NEMA F-1
Forma construtiva B3D / Mounting B3R(D)

WEG ELECTRIC CORP.

OV: 3061371
PC: CHI000017232

500000881180		RETIRADO CARIMBO LP	WILLIANR	DWAGNER	17.04.2014	02	
500000861825		CARIMBO LOTE PILOTO	PATRICKL	WILLIANR	27.02.2014	01	
ECM	LOC	SUMMARY OF MODIFICATIONS	EXECUTED	CHECKED	RELEASED	DATE	VER
EXECUTED	PATRICKL	THREE PHASE W22 MOTOR - NEMA PREMIUM EFF FRAME 284/6T IP55					
CHECKED							
RELEASED	ALCHINI						
REL DT	10.02.2014	WMO	JARAGUA DO SUL	ENGENHARIA DE PRODUTO	10002700189		
					000	02	
					SHEET 1 / 1		

25 HP 04 Poles 60Hz



UNCONTROLLED COPY RELEASED ZME A3



Mod.TE1BFOXON
CC029A

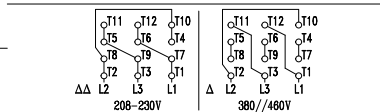
MODEL 02518ET3E284T-W22G



Inverter Duty Motor
Severe Duty


60Hz: For use on PWM: VT 1000:1,
CT 20:1, 1.00SF

MADE IN BRAZIL
12700685

PH3	60Hz	Fr. 284/6T	1000m.a.s.l.	IP55	TEFC	429lb
V	230/460			A	59.0/29.5	
HP	25			kW	18.5	
SF	1.25			SFA	73.8/36.9	
RPM	1765			PF	0.84	
AMB	40°C			INS cl.	F DT80K	NEMA NOM EFF 93.6%
DUTY CONT.				DES B	Code G	
USABLE @208V	65.2A	SF 1.15	SFA 75.0			
25HP	18.5kW	50Hz	380V	35.6A	1445RPM	SF 1.00 EFF 91.7% (IE2)



 → 6311-C3 (18g)
 → 6211-C3 (11g)

 MOBIL POLYREX EM (20000h)