

# DATA SHEET



## Three Phase Induction Motor - Squirrel Cage

Customer :																			
Product line	: NEMA Premium Efficiency Three-Phase																		
Product code :	13523069																		
Catalog # :	02536ET3E256JP-W22																		
Frame : 254/6JP Output : 25 HP (18.5 kW) Poles : 2 Frequency : 60 Hz Rated voltage : 208-230/460 V Rated current : 62.2-56.3/28.1 A L. R. Amperes : 398-360/180 A LRC : 6.4x(Code G) No load current : 14.9-13.5/6.75 A Rated speed : 3515 rpm Slip : 2.36 % Rated torque : 37.3 ft.lb Locked rotor torque : 180 % Breakdown torque : 229 % Insulation class : F Service factor : 1.00 Design : B	Locked rotor time : 32s (cold) 18s (hot) Temperature rise : 80 K Duty cycle : Cont.(S1) Ambient temperature : -20°C to +40°C Altitude : 1000 m.a.s.l. Protection degree : IP55 Cooling method : IC411 - TEFC Mounting : F-1 Rotation <sup>1</sup> : Both (CW and CCW) Noise level <sup>2</sup> : 72.0 dB(A) Starting method : Direct On Line Approx. weight <sup>3</sup> : 326 lb																		
Output	25%    50%    75%    100%																		
Efficiency (%)	0.000    91.0    91.7    91.7																		
Power Factor	0.00    0.83    0.88    0.90																		
Foundation loads																			
Max. traction	: 249 lb																		
Max. compression	: 575 lb																		
	<table border="0"> <tr> <td></td> <td style="text-align: center;"><u>Drive end</u></td> <td style="text-align: center;"><u>Non drive end</u></td> </tr> <tr> <td>Bearing type :</td> <td>6309 C3</td> <td>6209 C3</td> </tr> <tr> <td>Sealing :</td> <td>V'Ring</td> <td>V'Ring</td> </tr> <tr> <td>Lubrication interval :</td> <td>19000 h</td> <td>20000 h</td> </tr> <tr> <td>Lubricant amount :</td> <td>13 g</td> <td>9 g</td> </tr> <tr> <td>Lubricant type :</td> <td colspan="2" style="text-align: center;">Mobil Polyrex EM</td> </tr> </table>		<u>Drive end</u>	<u>Non drive end</u>	Bearing type :	6309 C3	6209 C3	Sealing :	V'Ring	V'Ring	Lubrication interval :	19000 h	20000 h	Lubricant amount :	13 g	9 g	Lubricant type :	Mobil Polyrex EM	
	<u>Drive end</u>	<u>Non drive end</u>																	
Bearing type :	6309 C3	6209 C3																	
Sealing :	V'Ring	V'Ring																	
Lubrication interval :	19000 h	20000 h																	
Lubricant amount :	13 g	9 g																	
Lubricant type :	Mobil Polyrex EM																		
Notes																			
This revision replaces and cancel the previous one, which must be eliminated. (1) Looking the motor from the shaft end. (2) Measured at 1m and with tolerance of +3dB(A). (3) Approximate weight subject to changes after manufacturing process. (4) At 100% of full load.																			
These are average values based on tests with sinusoidal power supply, subject to the tolerances stipulated in NEMA MG-1.																			
Rev.	Changes Summary	Performed	Checked	Date															
Performed by																			
Checked by			Page	Revision															
Date	14/04/2022		1 / 6																

# TORQUE AND CURRENT VS SPEED CURVE

Three Phase Induction Motor - Squirrel Cage



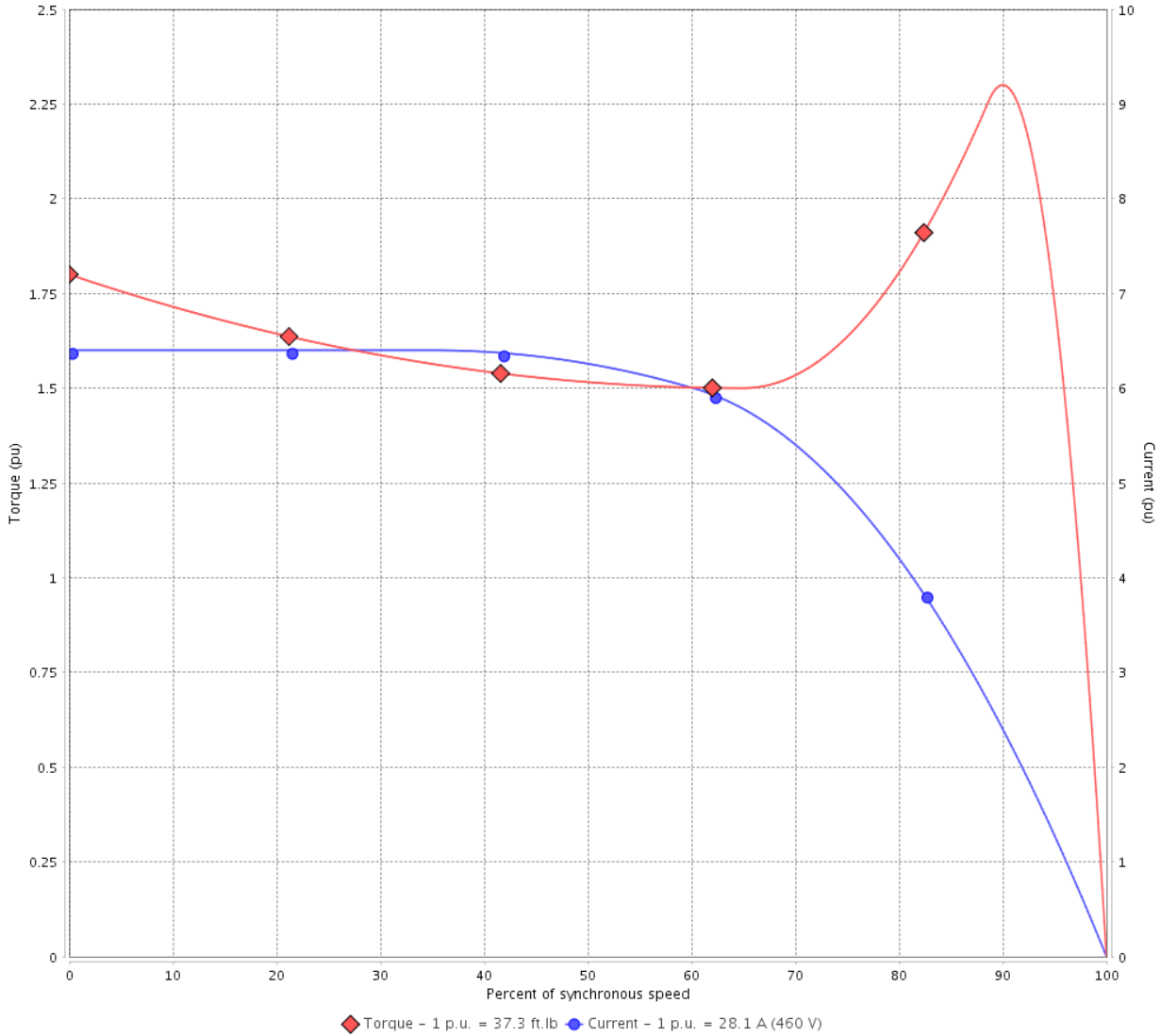
Customer :

Product line : NEMA Premium Efficiency Three-Phase

Product code : 13523069

Catalog # : 02536ET3E256JP-W22

TORQUE AND CURRENT VS SPEED CURVE



Performance : 208-230/460 V 60 Hz 2P

Rated current	: 62.2-56.3/28.1 A	Moment of inertia (J)	
LRC	: 6.4	Duty cycle	: Cont.(S1)
Rated torque	: 37.3 ft.lb	Insulation class	: F
Locked rotor torque	: 180 %	Service factor	: 1.00
Breakdown torque	: 229 %	Temperature rise	: 80 K
Rated speed	: 3515 rpm	Design	: B

Locked rotor time : 32s (cold) 18s (hot)

Rev.	Changes Summary	Performed	Checked	Date
Performed by			Page 2 / 6	Revision
Checked by				
Date	14/04/2022			

# LOAD PERFORMANCE CURVE

## Three Phase Induction Motor - Squirrel Cage

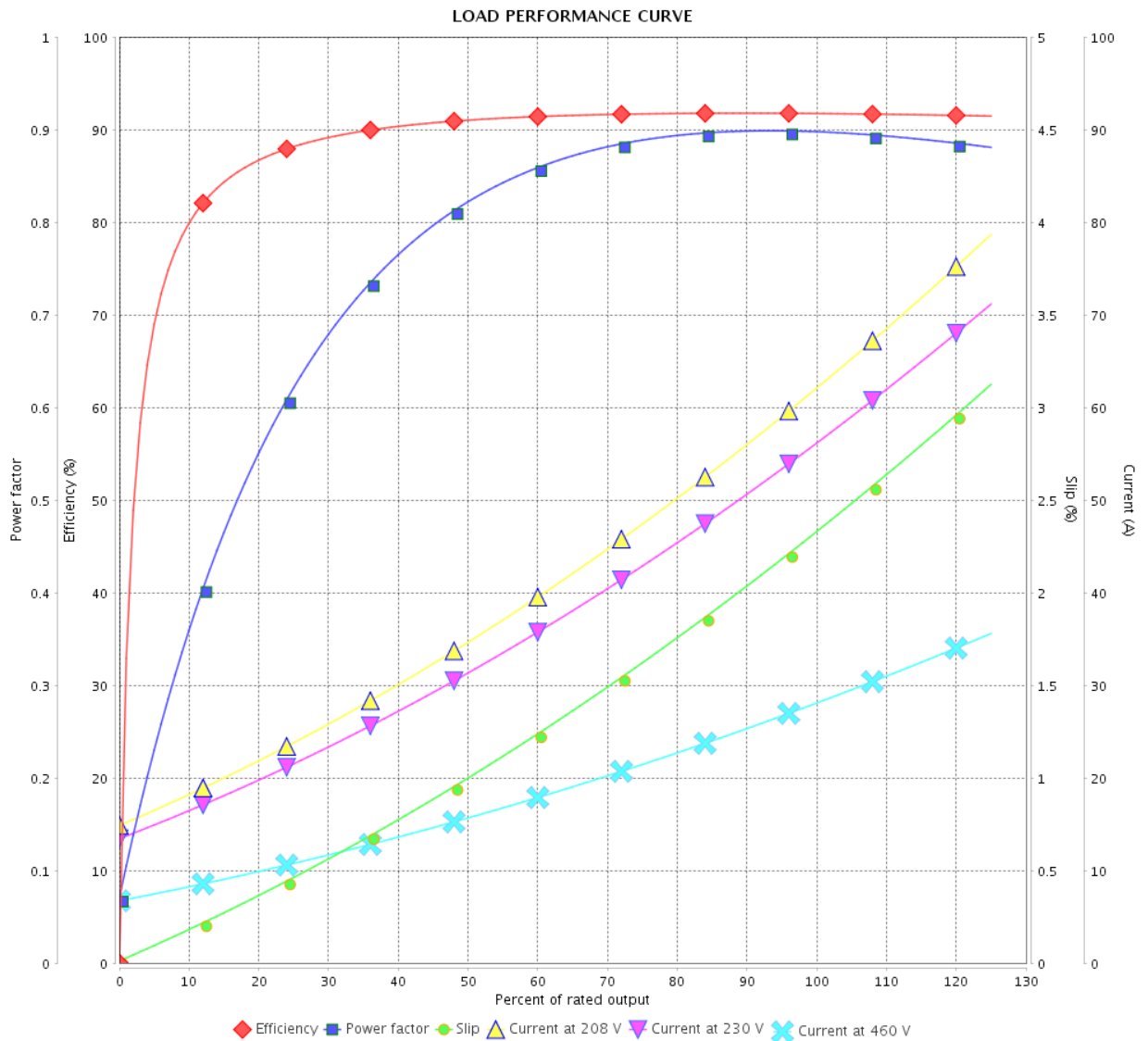


Customer :

Product line : NEMA Premium Efficiency Three-Phase

Product code : 13523069

Catalog # : 02536ET3E256JP-W22



Performance : 208-230/460 V 60 Hz 2P

Rated current : 62.2-56.3/28.1 A  
 LRC : 6.4  
 Rated torque : 37.3 ft.lb  
 Locked rotor torque : 180 %  
 Breakdown torque : 229 %  
 Rated speed : 3515 rpm

Moment of inertia (J)  
 Duty cycle : Cont.(S1)  
 Insulation class : F  
 Service factor : 1.00  
 Temperature rise : 80 K  
 Design : B

Rev.	Changes Summary	Performed	Checked	Date
Performed by		Page		Revision
Checked by		3 / 6		
Date		14/04/2022		

# THERMAL LIMIT CURVE

## Three Phase Induction Motor - Squirrel Cage



Customer :

Product line : NEMA Premium Efficiency Three-Phase

Product code : 13523069

Catalog # : 02536ET3E256JP-W22

Performance : 208-230/460 V 60 Hz 2P

Rated current : 62.2-56.3/28.1 A

LRC : 6.4

Rated torque : 37.3 ft.lb

Locked rotor torque : 180 %

Breakdown torque : 229 %

Rated speed : 3515 rpm

Moment of inertia (J)

Duty cycle : Cont.(S1)

Insulation class : F

Service factor : 1.00

Temperature rise : 80 K

Design : B

Heating constant

Cooling constant

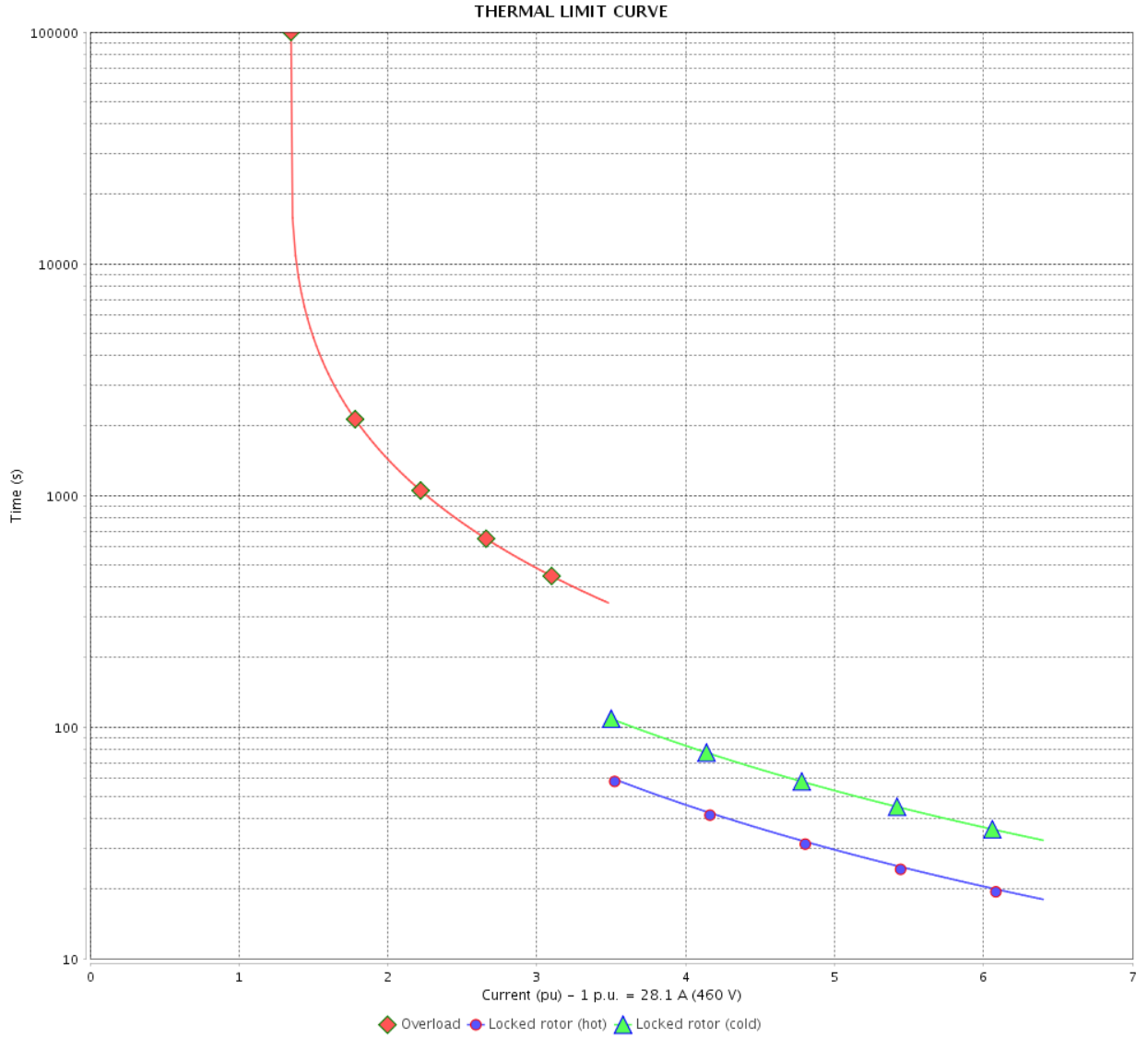
Rev.	Changes Summary	Performed	Checked	Date
Performed by				
Checked by			Page	Revision
Date	14/04/2022		4 / 6	

# THERMAL LIMIT CURVE

Three Phase Induction Motor - Squirrel Cage



Customer : \_\_\_\_\_



Rev.	Changes Summary	Performed	Checked	Date
Performed by		Page		Revision
Checked by				
Date				

# VFD OPERATION CURVE

Three Phase Induction Motor - Squirrel Cage

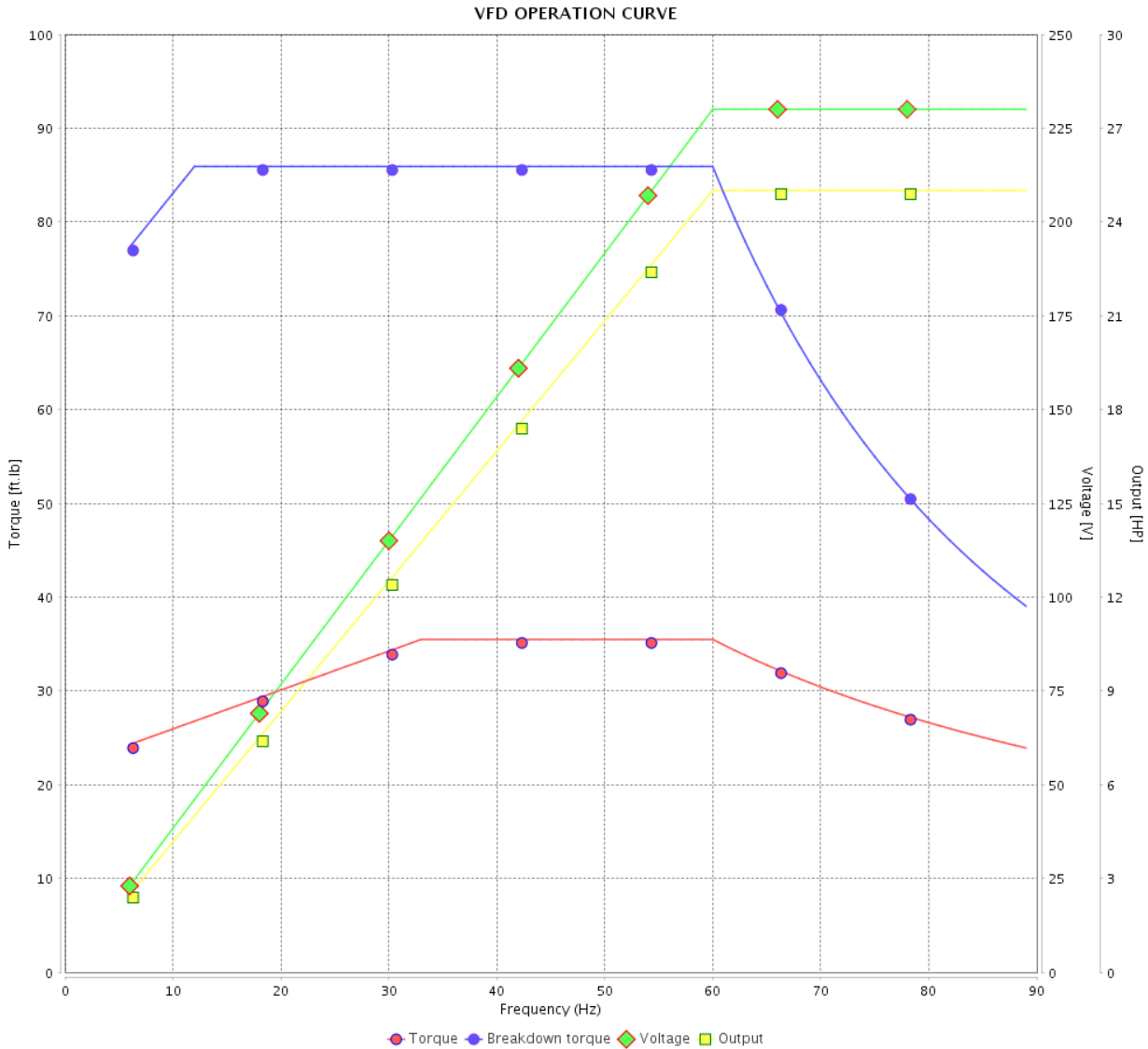


Customer :

Product line : NEMA Premium Efficiency Three-Phase

Product code : 13523069

Catalog # : 02536ET3E256JP-W22



Performance : 208-230/460 V 60 Hz 2P

Rated current : 62.2-56.3/28.1 A  
 LRC : 6.4  
 Rated torque : 37.3 ft.lb  
 Locked rotor torque : 180 %  
 Breakdown torque : 229 %  
 Rated speed : 3515 rpm

Moment of inertia (J)  
 Duty cycle : Cont.(S1)  
 Insulation class : F  
 Service factor : 1.00  
 Temperature rise : 80 K  
 Design : B

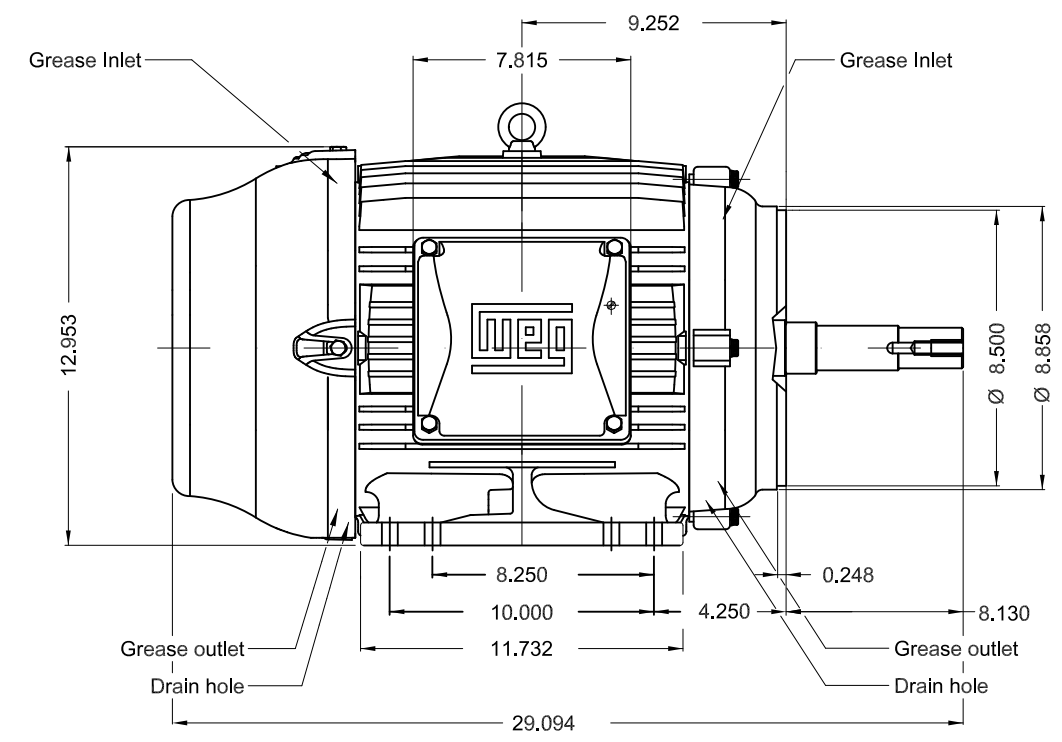
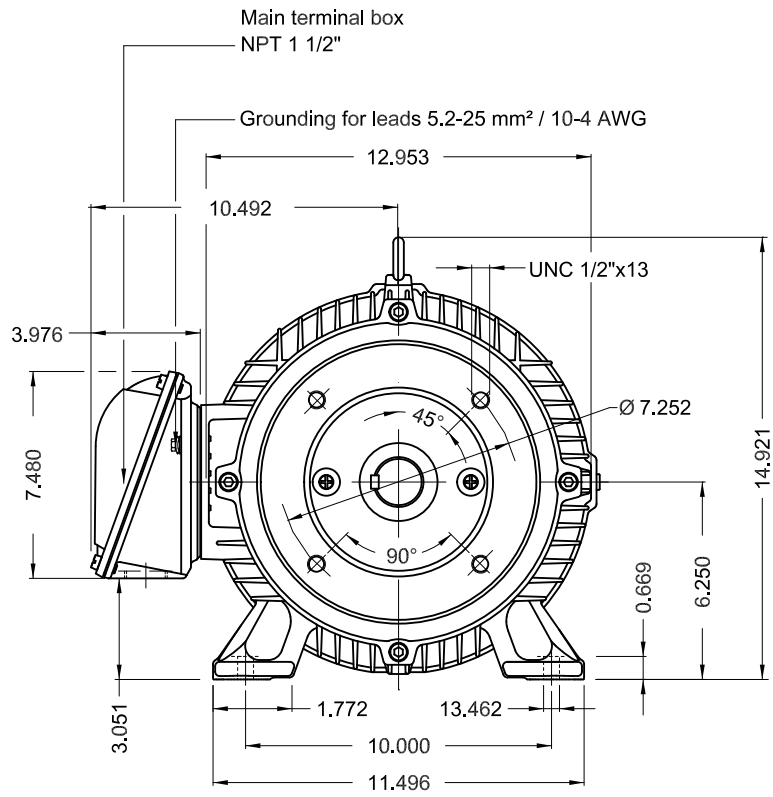
Rev.	Changes Summary	Performed	Checked	Date
Performed by			Page 6 / 6	Revision
Checked by				
Date	14/04/2022			

1 2 3 4 5 6

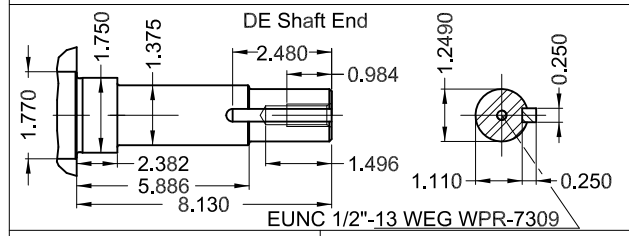
A

B

C



D



E

Without vertical jackscrews
Color RAL 5009
Painting plan 203A
Service factor 1.0
Mounting NEMA F-1
Mounting B34R(D)

25 HP 02 Poles 60 Hz A

ECM	LOC	SUMMARY OF MODIFICATIONS	EXECUTED	CHECKED	RELEASED	DATE	VER
EXECUTED	PIRWBUSER	THREE PH. MOTOR JM/JP/JET PUMP W22 PREM. EFF. FRAME 254/6JP IP55 TEFC					
CHECKED							
RELEASED							
REL DT.	WMO		Jaragua do Sul	Product Engineering	SHEET	1 / 1	

**PREVIEW**  
WDD



**WEG** **W22 NEMA**  
**CC029A Premium**

*Inverter Duty Motor  
 Severe Duty*



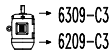
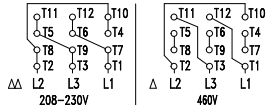
FOR SAFE AREA  
 MOD.TE1BFOXON



Class I, Div 2, Gr. A, B, C and D - T3C  
 Class I, Zone 2, IIC - T3C  
 Class II, Div 2, Gr. F and G - T4A  
 For use on PWM, Gr. A, B, C, D and F,  
 VT 1000:1, CT 20:1, 1.0SF, T3A

MODEL 02536ET3E256JP-W22  
 MADE IN BRAZIL  
 13523069

PH 3	FR 254/6JP	HP(kW) 25.0(18.5)	Hz 60
V 230/460	A 56.3/28.1	RPM 3515	DES B
NEMA NOM EFF 91.7 %	INS. CL. F $\Delta$ T 80 K	IP55	
ENCL TEFC	DUTY CONT.	AMB. 40°C	
CODE G	PF 0.90	SF 1.00	
USABLE @208V	62.2 A	SF 1.00	
ALT 1000 m.a.s.l.			355 Lbs



MOBIL POLYREX EM  
 13 g 19000 h