

DATA SHEET



Three Phase Induction Motor - Squirrel Cage

Customer :						
Product line		: NEMA Premium Efficiency Three-Phase		Product code :	12712152	
			Catalog # :	02536ET3H284JM-W22		
Frame	:	284/6JM		Locked rotor time	: 30s (cold) 17s (hot)	
Output	:	25 HP (18.5 kW)		Temperature rise	: 80 K	
Poles	:	2		Duty cycle	: Cont.(S1)	
Frequency	:	60 Hz		Ambient temperature	: -20°C to +40°C	
Rated voltage	:	575 V		Altitude	: 1000 m.a.s.l.	
Rated current	:	22.8 A		Protection degree	: IP55	
L. R. Amperes	:	144 A		Cooling method	: IC411 - TEFC	
LRC	:	6.3x(Code G)		Mounting	: F-1	
No load current	:	6.00 A		Rotation ¹	: Both (CW and CCW)	
Rated speed	:	3535 rpm		Noise level ²	: 72.0 dB(A)	
Slip	:	1.81 %		Starting method	: Direct On Line	
Rated torque	:	37.1 ft.lb		Approx. weight ³	: 414 lb	
Locked rotor torque	:	200 %				
Breakdown torque	:	250 %				
Insulation class	:	F				
Service factor	:	1.25				
Moment of inertia (J)	:	2.69 sq.ft.lb				
Design	:	B				
Output	50%	75%	100%	Foundation loads		
Efficiency (%)	91.0	91.7	91.7	Max. traction	: 197 lb	
Power Factor	0.82	0.87	0.89	Max. compression	: 612 lb	
		<u>Drive end</u>		<u>Non drive end</u>		
Bearing type	:	6311 C3		6211 C3		
Sealing	:	V'Ring		V'Ring		
Lubrication interval	:	14000 h		17000 h		
Lubricant amount	:	18 g		11 g		
Lubricant type	:	Mobil Polyrex EM				
Notes						
This revision replaces and cancel the previous one, which must be eliminated. (1) Looking the motor from the shaft end. (2) Measured at 1m and with tolerance of +3dB(A). (3) Approximate weight subject to changes after manufacturing process. (4) At 100% of full load.			These are average values based on tests with sinusoidal power supply, subject to the tolerances stipulated in NEMA MG-1.			
Rev.	Changes Summary			Performed	Checked	Date
Performed by						
Checked by					Page	Revision
Date	14/04/2022				1 / 6	

TORQUE AND CURRENT VS SPEED CURVE

Three Phase Induction Motor - Squirrel Cage



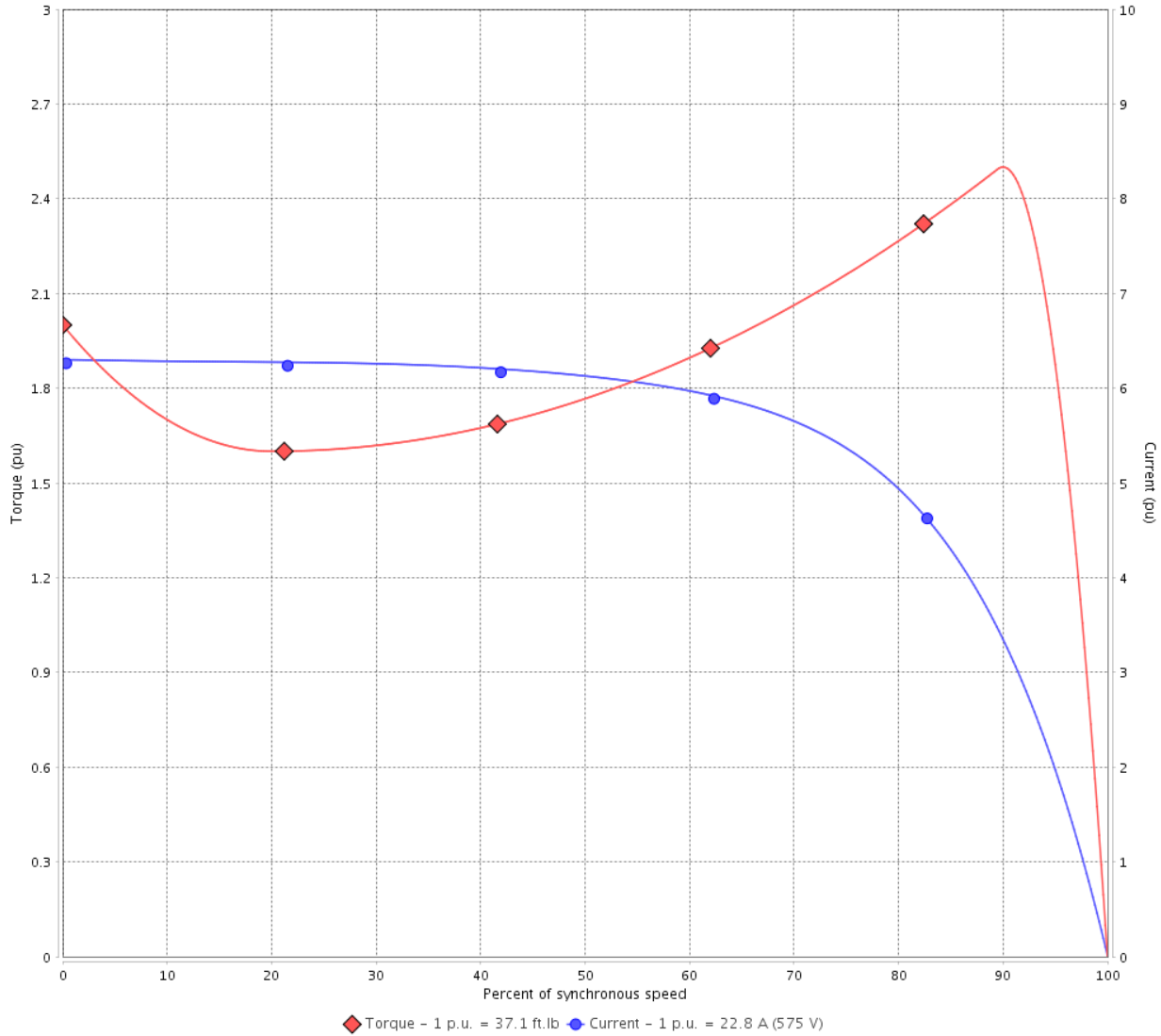
Customer :

Product line : NEMA Premium Efficiency Three-Phase

Product code : 12712152

Catalog # : 02536ET3H284JM-W22

TORQUE AND CURRENT VS SPEED CURVE



Performance : 575 V 60 Hz 2P

Rated current	: 22.8 A	Moment of inertia (J)	: 2.69 sq.ft.lb
LRC	: 6.3	Duty cycle	: Cont.(S1)
Rated torque	: 37.1 ft.lb	Insulation class	: F
Locked rotor torque	: 200 %	Service factor	: 1.25
Breakdown torque	: 250 %	Temperature rise	: 80 K
Rated speed	: 3535 rpm	Design	: B

Locked rotor time : 30s (cold) 17s (hot)

Rev.	Changes Summary	Performed	Checked	Date
Performed by			Page 2 / 6	Revision
Checked by				
Date	14/04/2022			

LOAD PERFORMANCE CURVE

Three Phase Induction Motor - Squirrel Cage

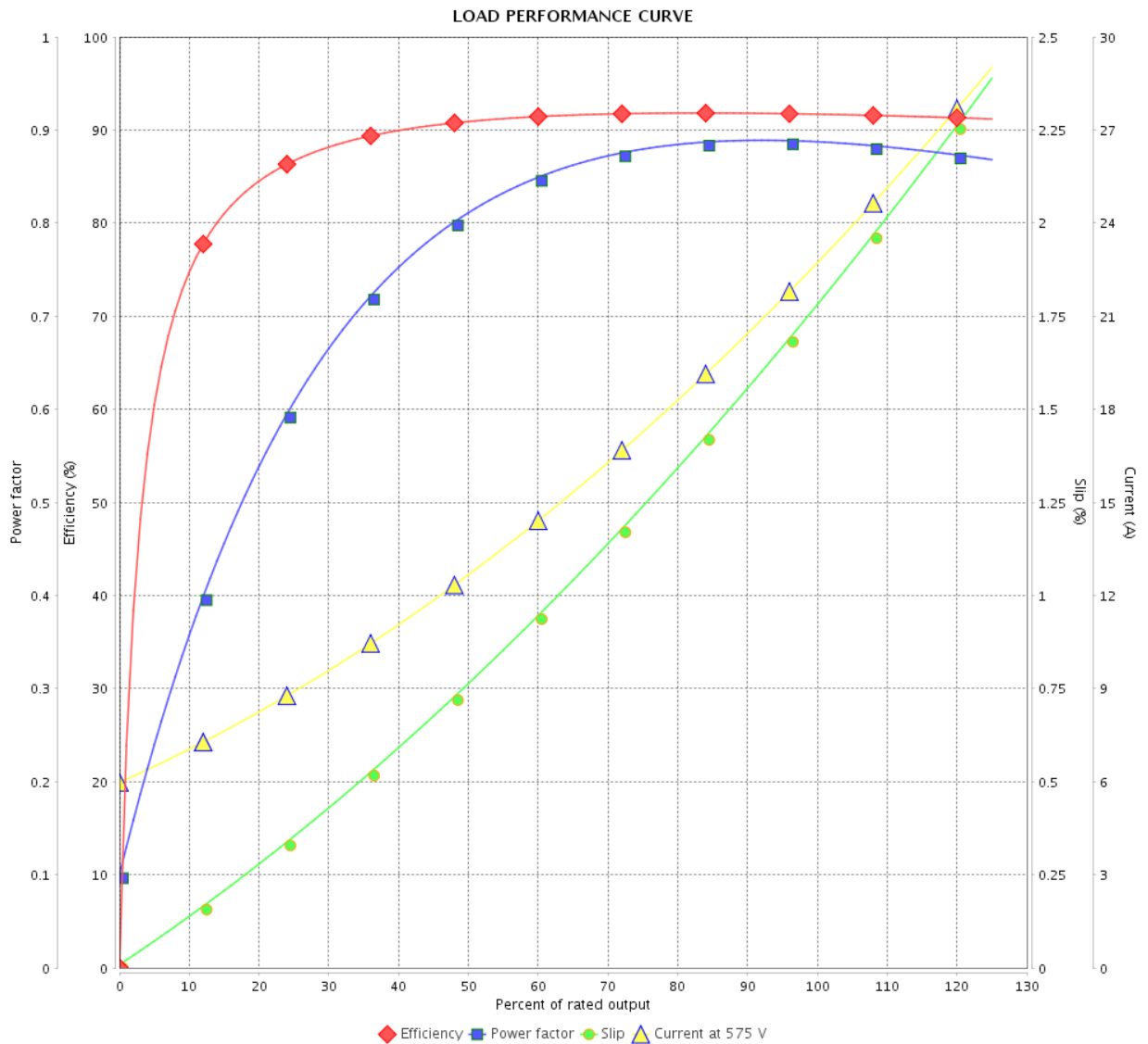


Customer :

Product line : NEMA Premium Efficiency Three-Phase

Product code : 12712152

Catalog # : 02536ET3H284JM-W22



Performance : 575 V 60 Hz 2P

Rated current : 22.8 A
 LRC : 6.3
 Rated torque : 37.1 ft.lb
 Locked rotor torque : 200 %
 Breakdown torque : 250 %
 Rated speed : 3535 rpm

Moment of inertia (J) : 2.69 sq.ft.lb
 Duty cycle : Cont.(S1)
 Insulation class : F
 Service factor : 1.25
 Temperature rise : 80 K
 Design : B

Rev.	Changes Summary	Performed	Checked	Date
Performed by		Page		Revision
Checked by		3 / 6		
Date		14/04/2022		

THERMAL LIMIT CURVE

Three Phase Induction Motor - Squirrel Cage



Customer :

Product line : NEMA Premium Efficiency Three-Phase
Product code : 12712152
Catalog # : 02536ET3H284JM-W22

Performance : 575 V 60 Hz 2P

Rated current	: 22.8 A	Moment of inertia (J)	: 2.69 sq.ft.lb
LRC	: 6.3	Duty cycle	: Cont.(S1)
Rated torque	: 37.1 ft.lb	Insulation class	: F
Locked rotor torque	: 200 %	Service factor	: 1.25
Breakdown torque	: 250 %	Temperature rise	: 80 K
Rated speed	: 3535 rpm	Design	: B

Heating constant

Cooling constant

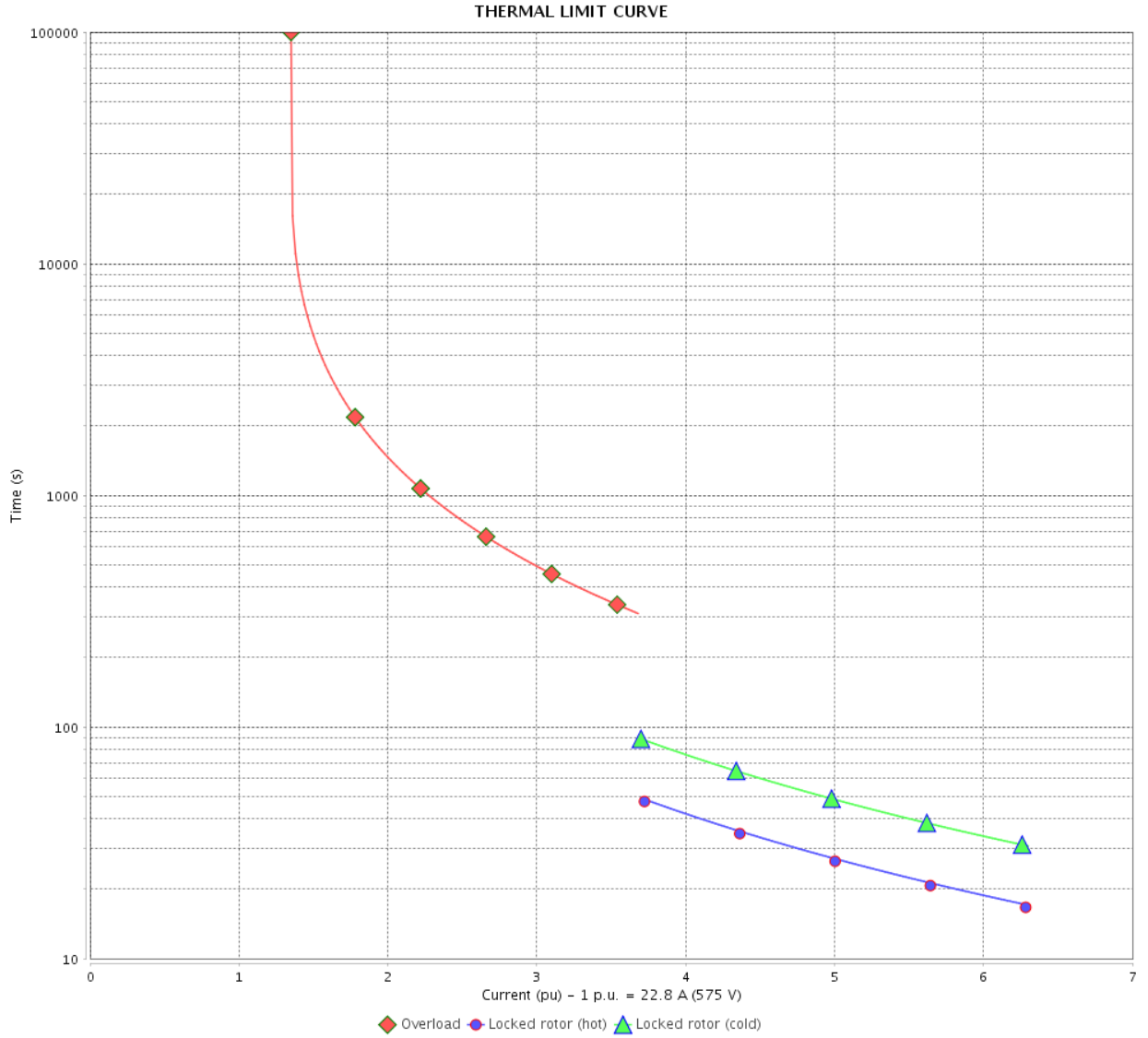
Rev.	Changes Summary	Performed	Checked	Date
Performed by				
Checked by			Page	Revision
Date	14/04/2022		4 / 6	

THERMAL LIMIT CURVE

Three Phase Induction Motor - Squirrel Cage



Customer : _____



Rev.	Changes Summary	Performed	Checked	Date
Performed by		Page 5 / 6		Revision
Checked by				
Date				

VFD OPERATION CURVE

Three Phase Induction Motor - Squirrel Cage

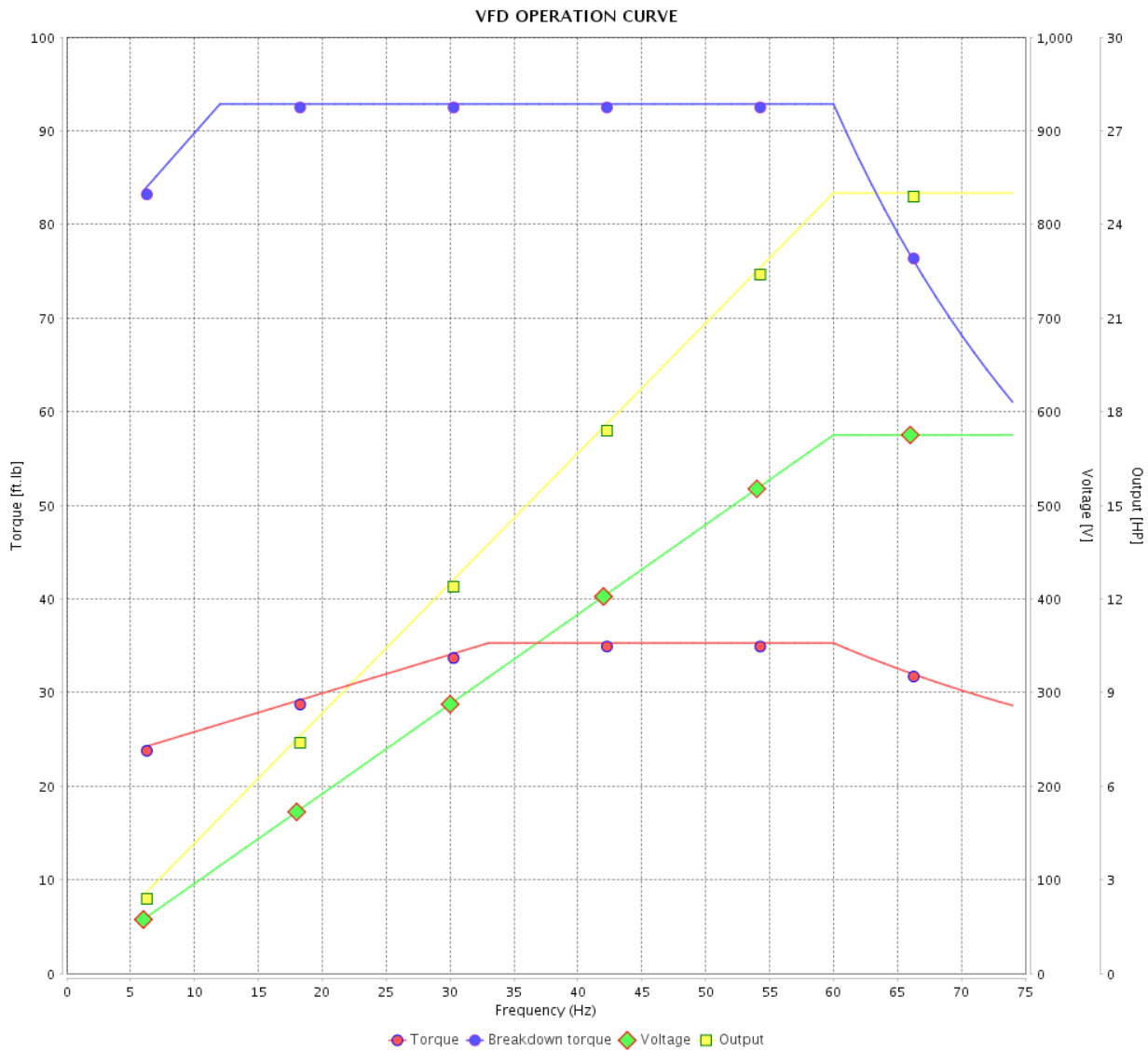


Customer : _____

Product line : NEMA Premium Efficiency Three-Phase

Product code : 12712152

Catalog # : 02536ET3H284JM-W22



Performance : 575 V 60 Hz 2P

Rated current : 22.8 A
 LRC : 6.3
 Rated torque : 37.1 ft.lb
 Locked rotor torque : 200 %
 Breakdown torque : 250 %
 Rated speed : 3535 rpm

Moment of inertia (J) : 2.69 sq.ft.lb
 Duty cycle : Cont.(S1)
 Insulation class : F
 Service factor : 1.25
 Temperature rise : 80 K
 Design : B

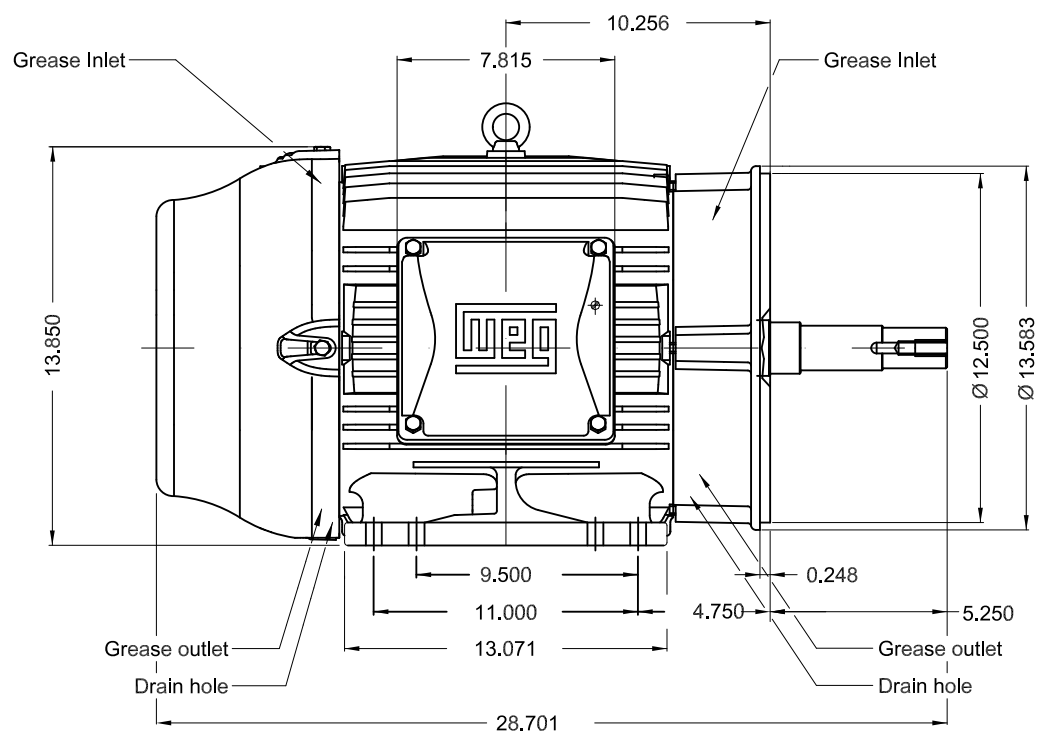
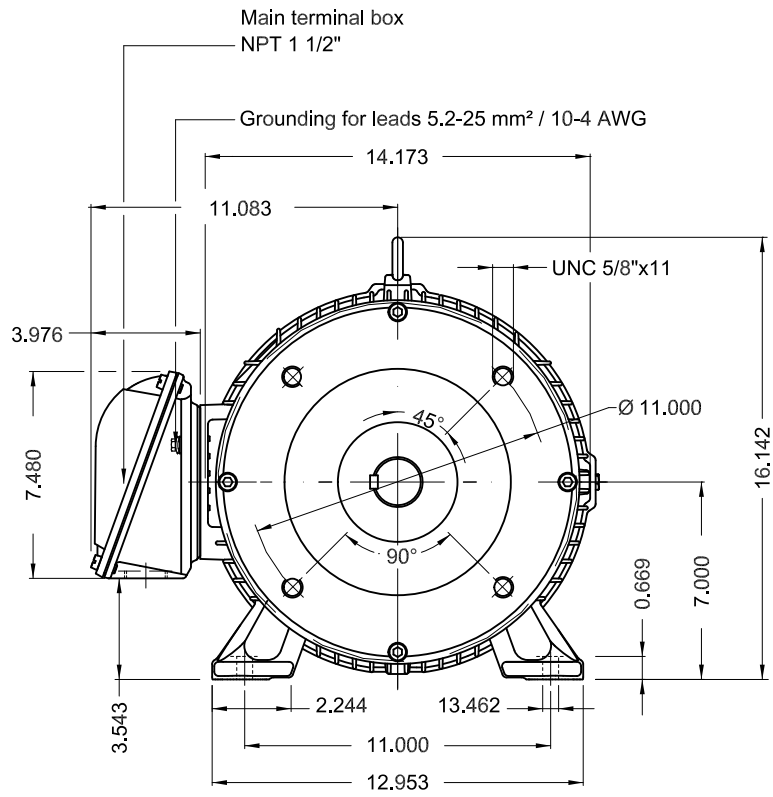
Rev.	Changes Summary	Performed	Checked	Date
Performed by			Page 6 / 6	Revision
Checked by				
Date	14/04/2022			

1 2 3 4 5 6

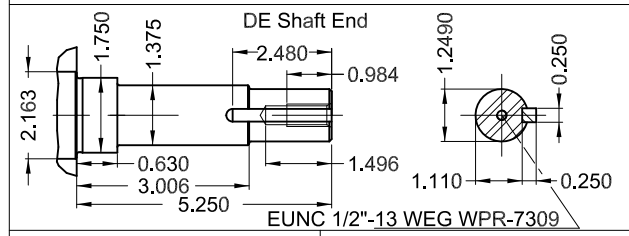
A

B

C



D



E

Color RAL 5009
 Painting plan 203A
 Mounting NEMA F-1
 Mounting B34R(D)

25 HP 02 Poles 60 Hz A

ECM	LOC	SUMMARY OF MODIFICATIONS	EXECUTED	CHECKED	RELEASED	DATE	VER
EXECUTED	PIRWBUSER	THREE PH. MOTOR JM/JP/JET PUMP W22 PREM. EFF. FRAME 284/6JM IP55 TEFC					
CHECKED							
RELEASED							
REL DT.	WMO		Jaragua do Sul	Product Engineering	SHEET	1 / 1	

PREVIEW
 WDD





*Inverter Duty Motor
Severe Duty*



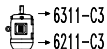
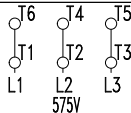
FOR SAFE AREA
MOD.TE1BFOXON



Class I, Div 2, Gr. A, B, C and D - T3
Class I, Zone 2, IIC - T3
Class II, Div 2, Gr. F and G - T4
For use on PWM, Gr. A, B, C, D and F,
VT 1000:1, CT 20:1, 1.0SF, T3A

JM025502NPW22
MADE IN BRAZIL
12712152

PH 3	FR 284/6JM	HP(kW) 25(18.5)		Hz 60
V 575		A 23.0		IP55
NEMA NOM EFF		91.7	%	RPM 3545
ENCL TEFC	DUTY CONT.		INS. CL. F Δ T 80 K	
PF 0.88		DES B	CODE G	AMB. 40°C
SF 1.25	SFA 28.8		ALT 1000 m.a.s.l.	



→ 6311-C3
→ 6211-C3

MOBIL POLYREX EM
18 g 14000 h

414 Lbs