

# DATA SHEET



## Three Phase Induction Motor - Squirrel Cage

Customer :					
Product line : JM Pump NEMA Premium Efficiency Three-Phase			Product code : 14478902		
			Catalog # : 02536ET3V256JM-S		
Frame : 254/6JM Output : 25 HP (18.5 kW) Poles : 2 Frequency : 60 Hz Rated voltage : 200/400 V Rated current : 65.5/32.8 A L. R. Amperes : 544/272 A LRC : 8.3x(Code J) No load current : 23.1/11.6 A Rated speed : 3530 rpm Slip : 1.94 % Rated torque : 37.2 ft.lb Locked rotor torque : 240 % Breakdown torque : 340 % Insulation class : F Service factor : 1.15 Moment of inertia (J) : 1.31 sq.ft.lb Design : A		Locked rotor time : 14s (cold) 8s (hot) Temperature rise : 80 K Duty cycle : Cont.(S1) Ambient temperature : -20°C to +40°C Altitude : 1000 m.a.s.l. Protection degree : IP55 Cooling method : IC411 - TEFC Mounting : F-1 Rotation <sup>1</sup> : Both (CW and CCW) Noise level <sup>2</sup> : 75.0 dB(A) Starting method : Direct On Line Approx. weight <sup>3</sup> : 220 lb			
Output	25%	50%	75%	100%	
Efficiency (%)	90.8	91.0	91.7	91.7	
Power Factor	0.50	0.77	0.85	0.89	
Foundation loads					
Max. traction : 496 lb					
Max. compression : 716 lb					
		<u>Drive end</u>	<u>Non drive end</u>		
Bearing type	:	6309 Z C3	6208 Z C3		
Sealing	:	V'Ring	Without Bearing Seal		
Lubrication interval	:	15797 h	20000 h		
Lubricant amount	:	13 g	8 g		
Lubricant type	:	Mobil Polyrex EM			
Notes					
This revision replaces and cancel the previous one, which must be eliminated. (1) Looking the motor from the shaft end. (2) Measured at 1m and with tolerance of +3dB(A). (3) Approximate weight subject to changes after manufacturing process. (4) At 100% of full load.			These are average values based on tests with sinusoidal power supply, subject to the tolerances stipulated in NEMA MG-1.		
Rev.	Changes Summary			Performed	Checked
Performed by					
Checked by					Page
Date		14/04/2022			1 / 6
					Revision

# TORQUE AND CURRENT VS SPEED CURVE

Three Phase Induction Motor - Squirrel Cage



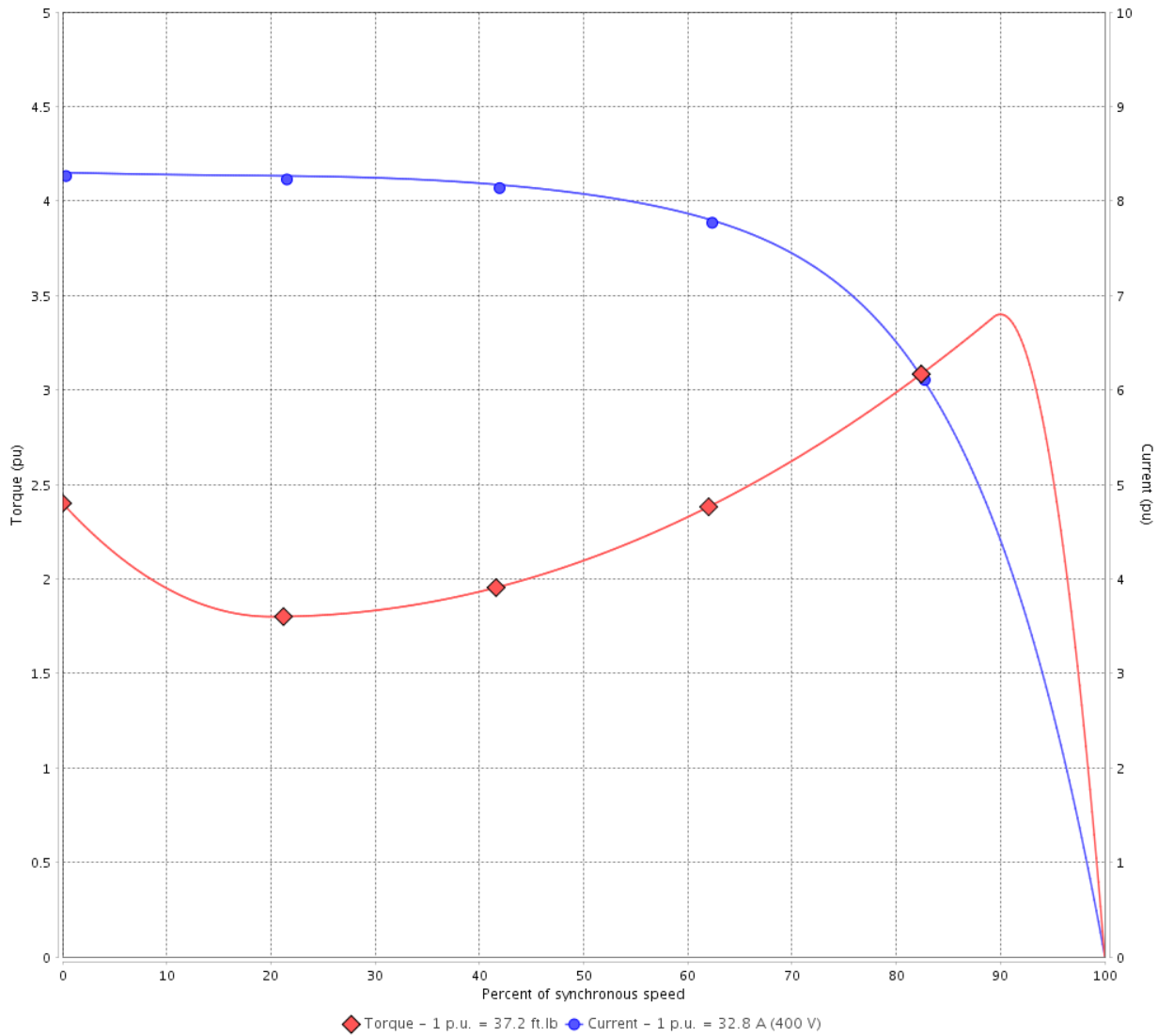
Customer :

Product line : JM Pump NEMA Premium  
Efficiency Three-Phase

Product code : 14478902

Catalog # : 02536ET3V256JM-S

TORQUE AND CURRENT VS SPEED CURVE



Performance : 200/400 V 60 Hz 2P

Rated current	: 65.5/32.8 A	Moment of inertia (J)	: 1.31 sq.ft.lb
LRC	: 8.3	Duty cycle	: Cont.(S1)
Rated torque	: 37.2 ft.lb	Insulation class	: F
Locked rotor torque	: 240 %	Service factor	: 1.15
Breakdown torque	: 340 %	Temperature rise	: 80 K
Rated speed	: 3530 rpm	Design	: A

Locked rotor time : 14s (cold) 8s (hot)

Rev.	Changes Summary	Performed	Checked	Date
Performed by			Page 2 / 6	Revision
Checked by				
Date	14/04/2022			

# LOAD PERFORMANCE CURVE

## Three Phase Induction Motor - Squirrel Cage

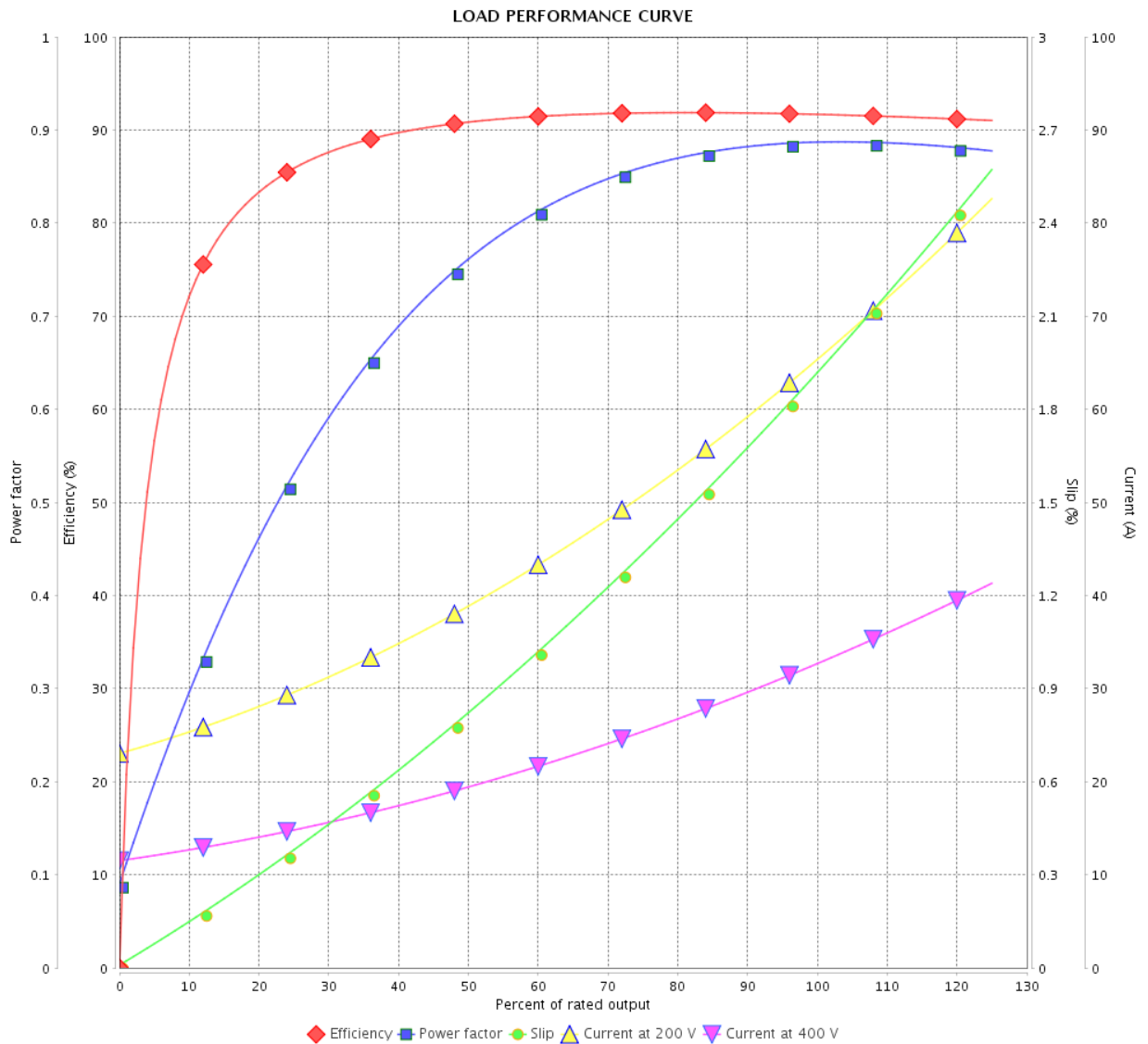


Customer :

Product line : JM Pump NEMA Premium Efficiency Three-Phase

Product code : 14478902

Catalog # : 02536ET3V256JM-S



Performance : 200/400 V 60 Hz 2P

Rated current : 65.5/32.8 A  
 LRC : 8.3  
 Rated torque : 37.2 ft.lb  
 Locked rotor torque : 240 %  
 Breakdown torque : 340 %  
 Rated speed : 3530 rpm

Moment of inertia (J) : 1.31 sq.ft.lb  
 Duty cycle : Cont.(S1)  
 Insulation class : F  
 Service factor : 1.15  
 Temperature rise : 80 K  
 Design : A

Rev.	Changes Summary	Performed	Checked	Date
Performed by			Page	Revision
Checked by			3 / 6	
Date	14/04/2022			

# THERMAL LIMIT CURVE



## Three Phase Induction Motor - Squirrel Cage

Customer :

Product line : JM Pump NEMA Premium  
Efficiency Three-Phase

Product code : 14478902

Catalog # : 02536ET3V256JM-S

Performance : 200/400 V 60 Hz 2P

Rated current : 65.5/32.8 A  
LRC : 8.3  
Rated torque : 37.2 ft.lb  
Locked rotor torque : 240 %  
Breakdown torque : 340 %  
Rated speed : 3530 rpm

Moment of inertia (J) : 1.31 sq.ft.lb  
Duty cycle : Cont.(S1)  
Insulation class : F  
Service factor : 1.15  
Temperature rise : 80 K  
Design : A

Heating constant

Cooling constant

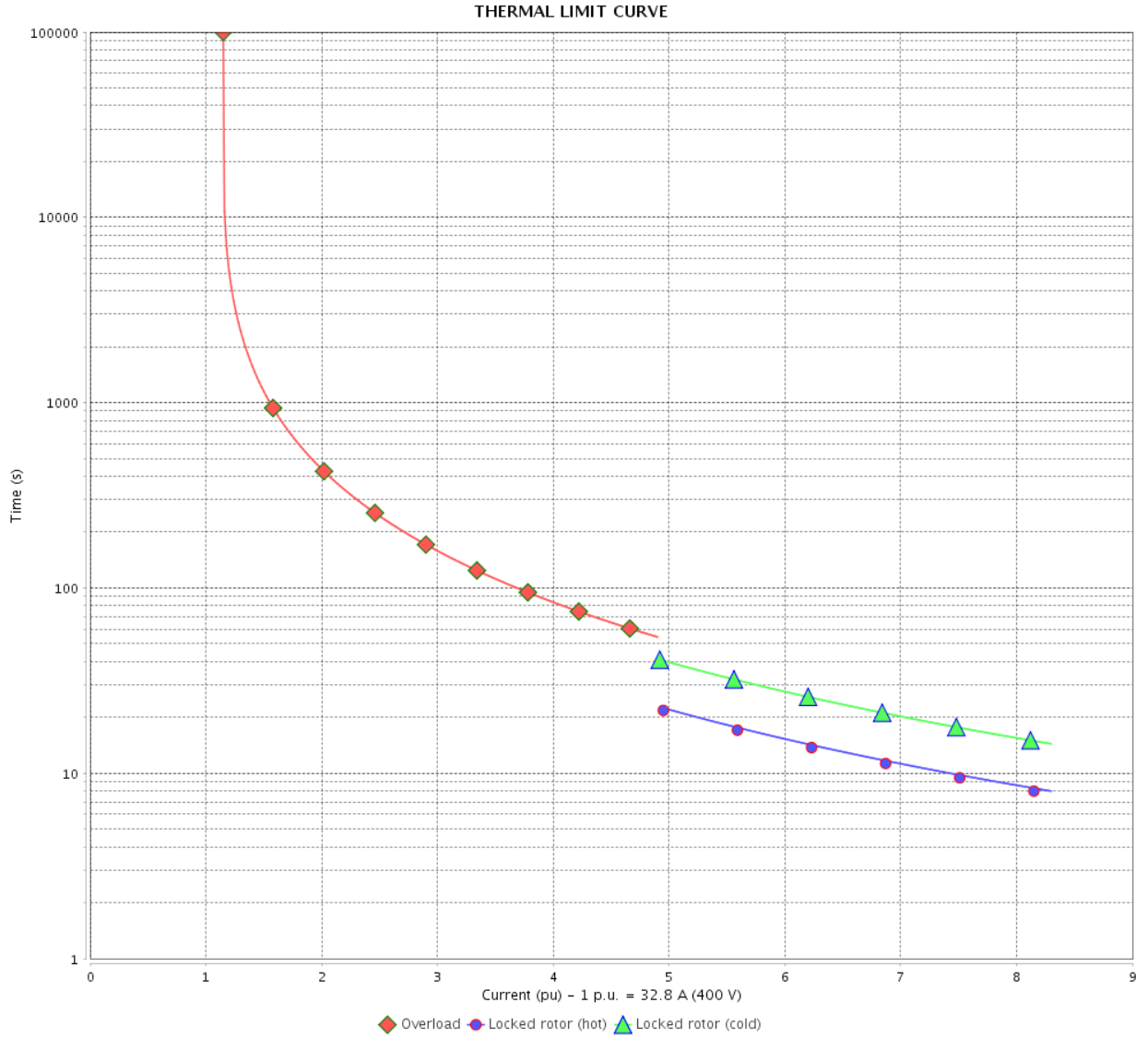
Rev.	Changes Summary	Performed	Checked	Date
Performed by				
Checked by			Page	Revision
Date	14/04/2022		4 / 6	

# THERMAL LIMIT CURVE

## Three Phase Induction Motor - Squirrel Cage



Customer : \_\_\_\_\_



Rev.	Changes Summary	Performed	Checked	Date
Performed by		Page 5 / 6		Revision
Checked by				
Date				

# VFD OPERATION CURVE

Three Phase Induction Motor - Squirrel Cage



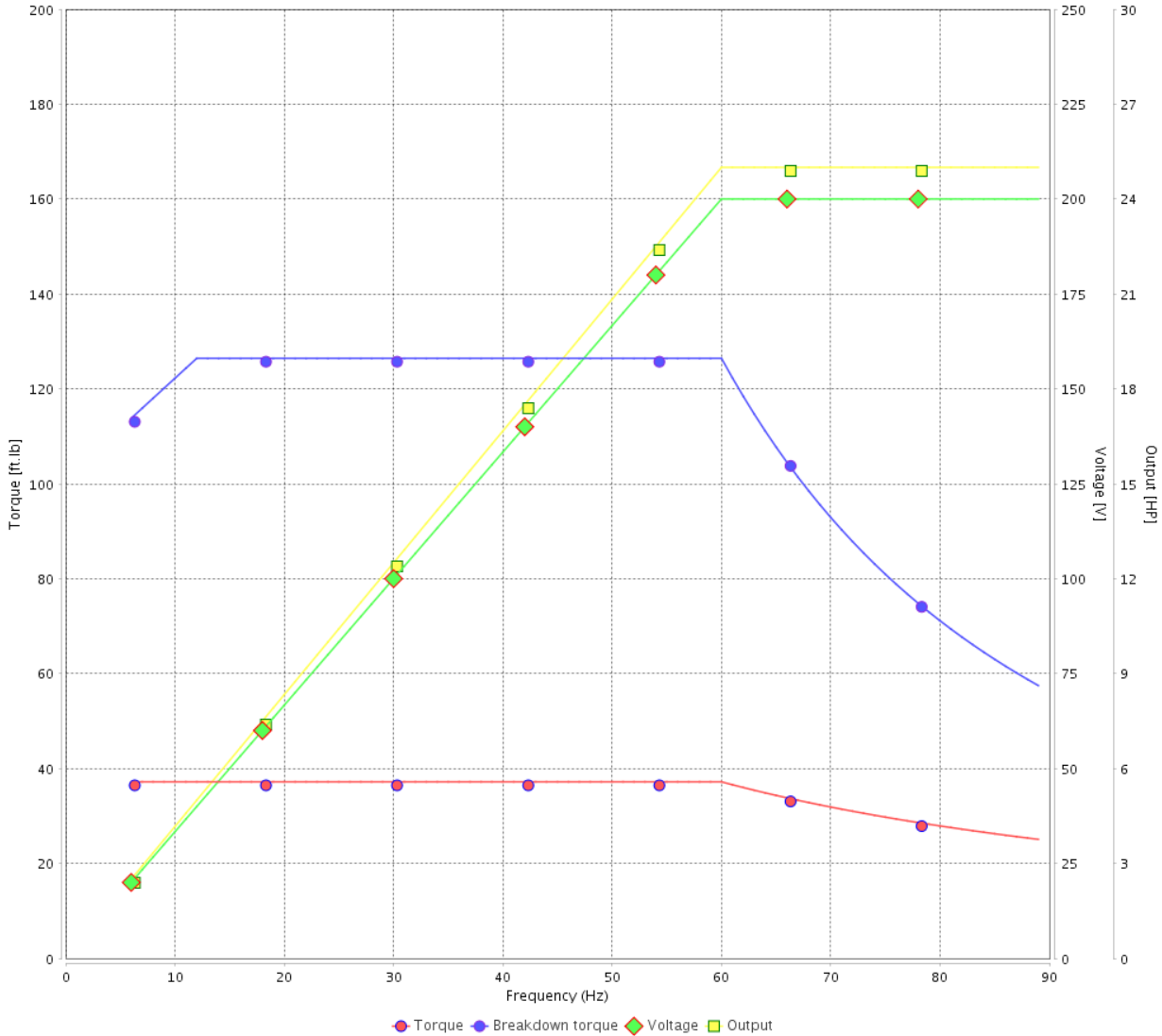
Customer :

Product line : JM Pump NEMA Premium Efficiency Three-Phase

Product code : 14478902

Catalog # : 02536ET3V256JM-S

VFD OPERATION CURVE



Performance : 200/400 V 60 Hz 2P

Rated current : 65.5/32.8 A  
 LRC : 8.3  
 Rated torque : 37.2 ft.lb  
 Locked rotor torque : 240 %  
 Breakdown torque : 340 %  
 Rated speed : 3530 rpm

Moment of inertia (J) : 1.31 sq.ft.lb  
 Duty cycle : Cont.(S1)  
 Insulation class : F  
 Service factor : 1.15  
 Temperature rise : 80 K  
 Design : A

Rev.	Changes Summary	Performed	Checked	Date
Performed by			Page 6 / 6	Revision
Checked by				
Date	14/04/2022			

1 2 3 4 5 6

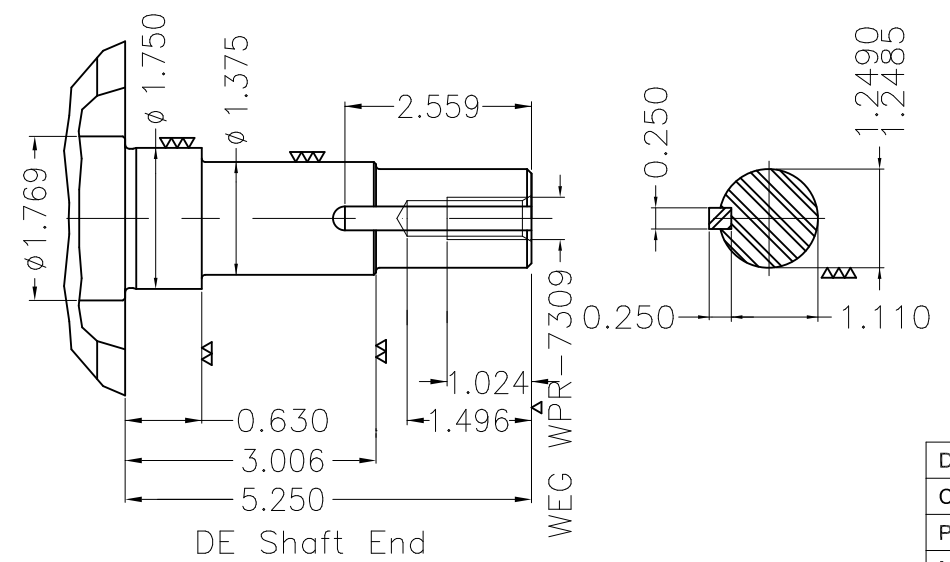
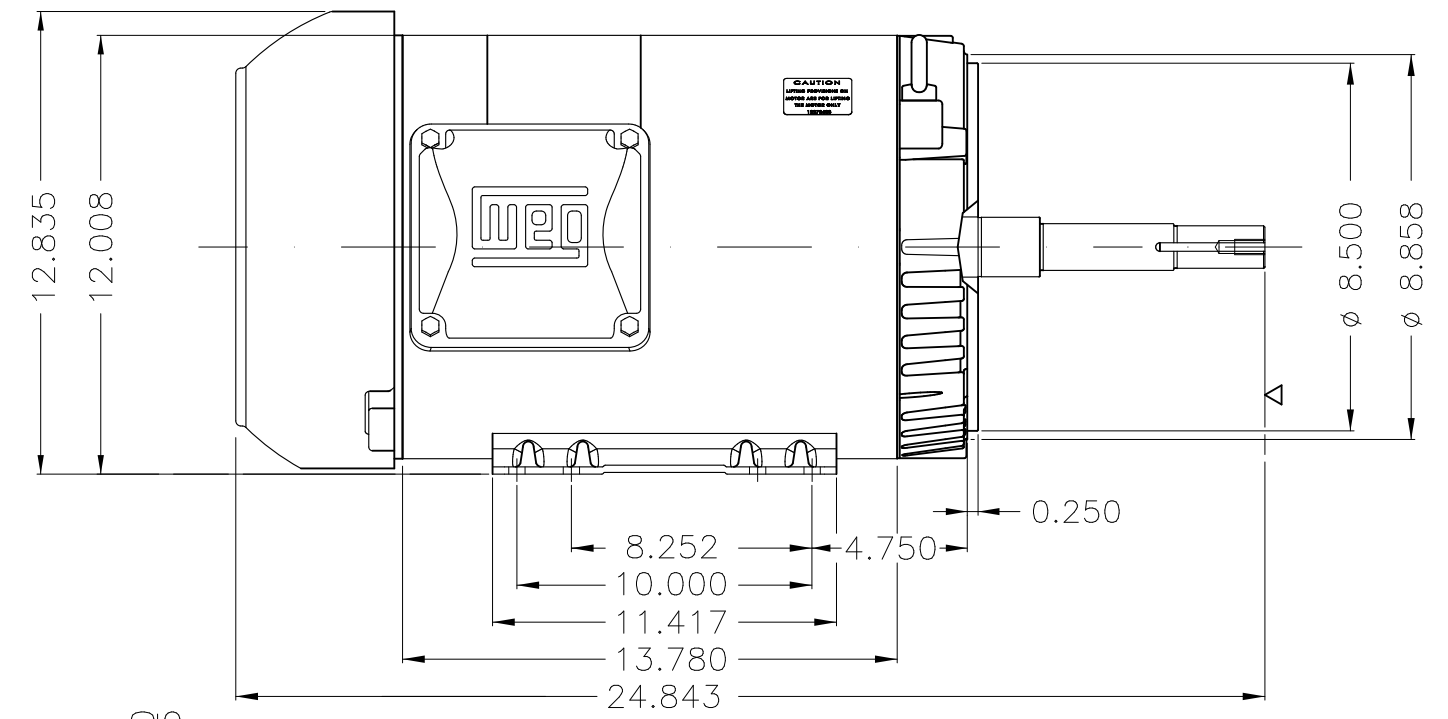
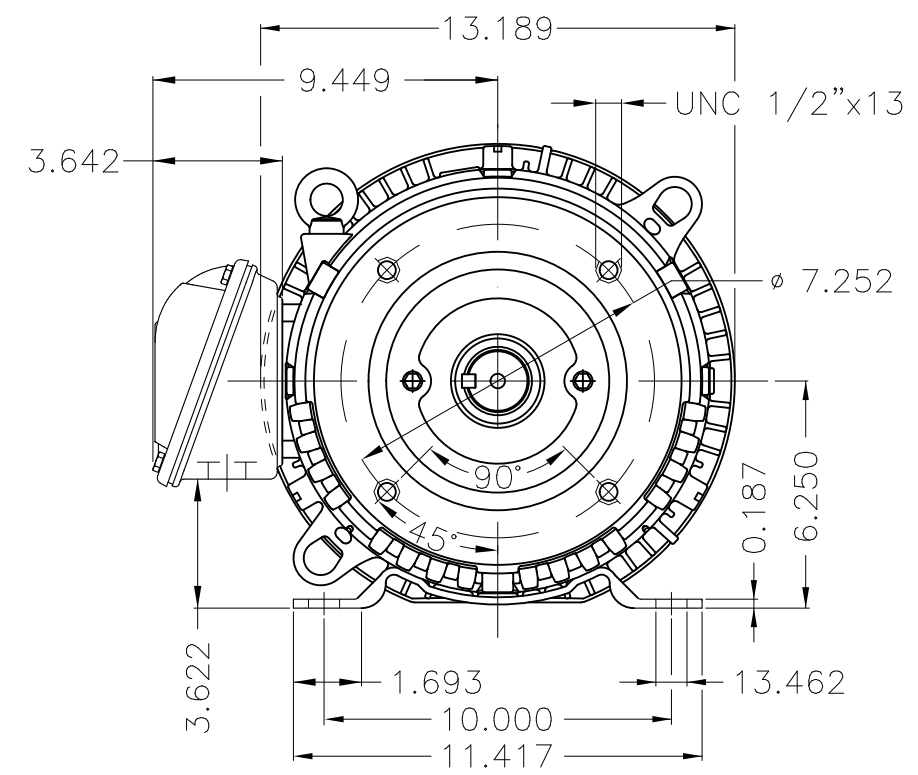
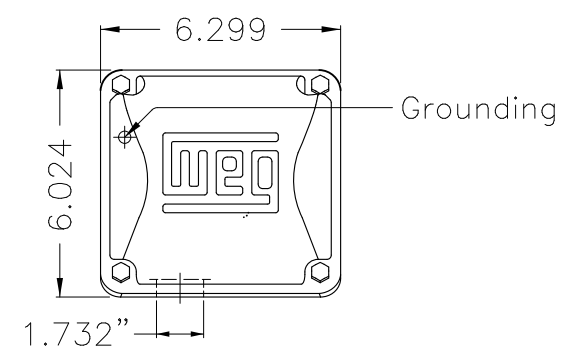
A

B

C

D

E



EUNC 1/2"-13 WEG WPR-7309

DE Shaft End

Design A  
 Color Munsell N 1 matte black  
 Painting plan 207N  
 Mounting F-1/B34R(D)

ECM	LOC	SUMMARY OF MODIFICATIONS	EXECUTED	CHECKED	RELEASED	DATE	VER
EXECUTED	PIRBUSER	THREE PH. MOTOR ROLLED STEEL CLOSE COUPLED PUMP JN TYPE PSE 500					
CHECKED		FRAME 254/6JM IP55 TEFC					
RELEASED							
REL DT.	WMO	Jaragua do Sul	Product Engineering	WDD			

25 HP 02 Poles 60 Hz

REL DT. WMO Jaragua do Sul Product Engineering SHEET 1 / 1



Dimensions in inches XME A3