

DATA SHEET



Three Phase Induction Motor - Squirrel Cage

Customer :				
Product line	: JM Pump NEMA Premium Efficiency Three-Phase	Product code :	13483000	
		Catalog # :	02536OT3E256JMV-S	
Frame	: 254/6JM	Cooling method	: IC01 - ODP	
Insulation class	: F	Mounting	: W-6	
Duty cycle	: Cont.(S1)	Rotation ¹	: Both (CW and CCW)	
Ambient temperature	: -20°C to +40°C	Starting method	: Direct On Line	
Altitude	: 1000 m.a.s.l.	Approx. weight ²	: 191 lb	
Design	: B	Moment of inertia (J)	: 0.9155 sq.ft.lb	
Output [HP]	25	25	25	
Poles	2	2	2	
Frequency [Hz]	60	50	50	
Rated voltage [V]	230/460	190/380	220/415	
Rated current [A]	58.2/29.1	70.6/35.3	64.1/34.0	
L. R. Amperes [A]	367/183	374/187	378/201	
LRC [A]	6.3x(Code G)	5.3x(Code E)	5.9x(Code F)	
No load current [A]	22.8/11.4	22.3/11.2	24.0/12.7	
Rated speed [RPM]	3530	2905	2910	
Slip [%]	1.94	3.17	3.00	
Rated torque [ft.lb]	37.2	45.2	45.1	
Locked rotor torque [%]	180	150	170	
Breakdown torque [%]	290	220	240	
Service factor	1.15	1.15	1.15	
Temperature rise	80 K	80 K	80 K	
Locked rotor time	16s (cold) 9s (hot)	0s (cold) 0s (hot)	0s (cold) 0s (hot)	
Noise level ²	70.0 dB(A)	68.0 dB(A)	68.0 dB(A)	
Efficiency (%)	25%	90.8	91.9	
	50%	91.0	90.9	
	75%	91.7	90.6	
	100%	91.7	89.3	
Power Factor	25%	0.46	0.48	
	50%	0.73	0.75	
	75%	0.83	0.85	
	100%	0.87	0.88	
Bearing type	: <u>Drive end</u> 6309 Z C3 <u>Non drive end</u> 6208 Z C3	Foundation loads		
Sealing	: Without Without Bearing Seal Bearing Seal	Max. traction	: 424 lb	
Lubrication interval	: 15797 h 20000 h	Max. compression	: 615 lb	
Lubricant amount	: 13 g 8 g			
Lubricant type	: Mobil Polyrex EM			
Notes USABLE @208V 64.3A SF 1.00 SFA 64.3A				
This revision replaces and cancel the previous one, which must be eliminated. (1) Looking the motor from the shaft end. (2) Measured at 1m and with tolerance of +3dB(A). (3) Approximate weight subject to changes after manufacturing process. (4) At 100% of full load.		These are average values based on tests with sinusoidal power supply, subject to the tolerances stipulated in NEMA MG-1.		
Rev.	Changes Summary	Performed	Checked	Date
Performed by				
Checked by			Page	Revision
Date	14/04/2022		1 /	

TORQUE AND CURRENT VS SPEED CURVE

Three Phase Induction Motor - Squirrel Cage



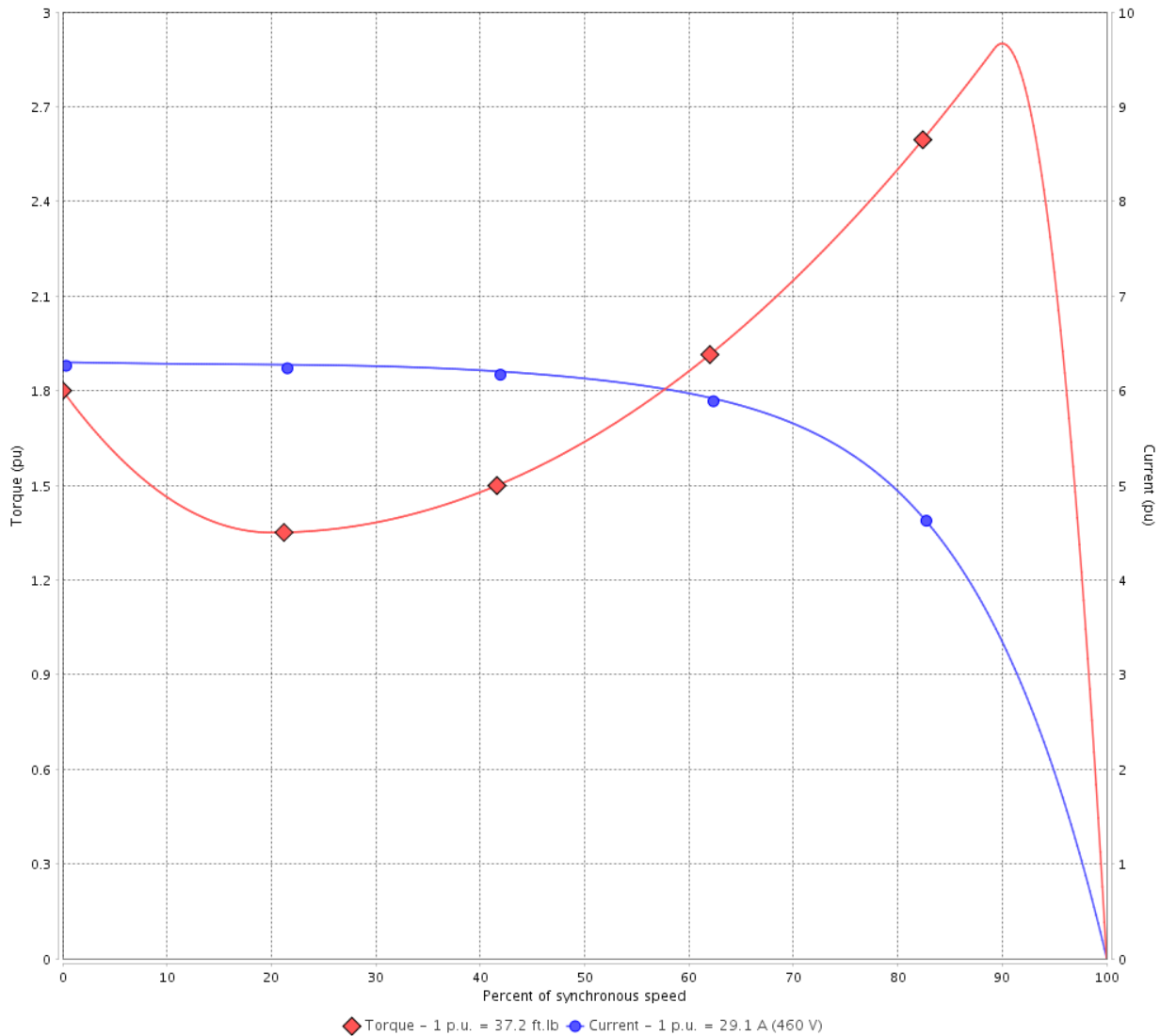
Customer :

Product line : JM Pump NEMA Premium
Efficiency Three-Phase

Product code : 13483000

Catalog # : 02536OT3E256JMV-S

TORQUE AND CURRENT VS SPEED CURVE



Performance : 230/460 V 60 Hz 2P

Rated current	: 58.2/29.1 A	Moment of inertia (J)	: 0.9155 sq.ft.lb
LRC	: 6.3	Duty cycle	: Cont.(S1)
Rated torque	: 37.2 ft.lb	Insulation class	: F
Locked rotor torque	: 180 %	Service factor	: 1.15
Breakdown torque	: 290 %	Temperature rise	: 80 K
Rated speed	: 3530 rpm	Design	: B

Locked rotor time : 16s (cold) 9s (hot)

Rev.	Changes Summary	Performed	Checked	Date
Performed by			Page 2 /	Revision
Checked by				
Date	14/04/2022			

TORQUE AND CURRENT VS SPEED CURVE



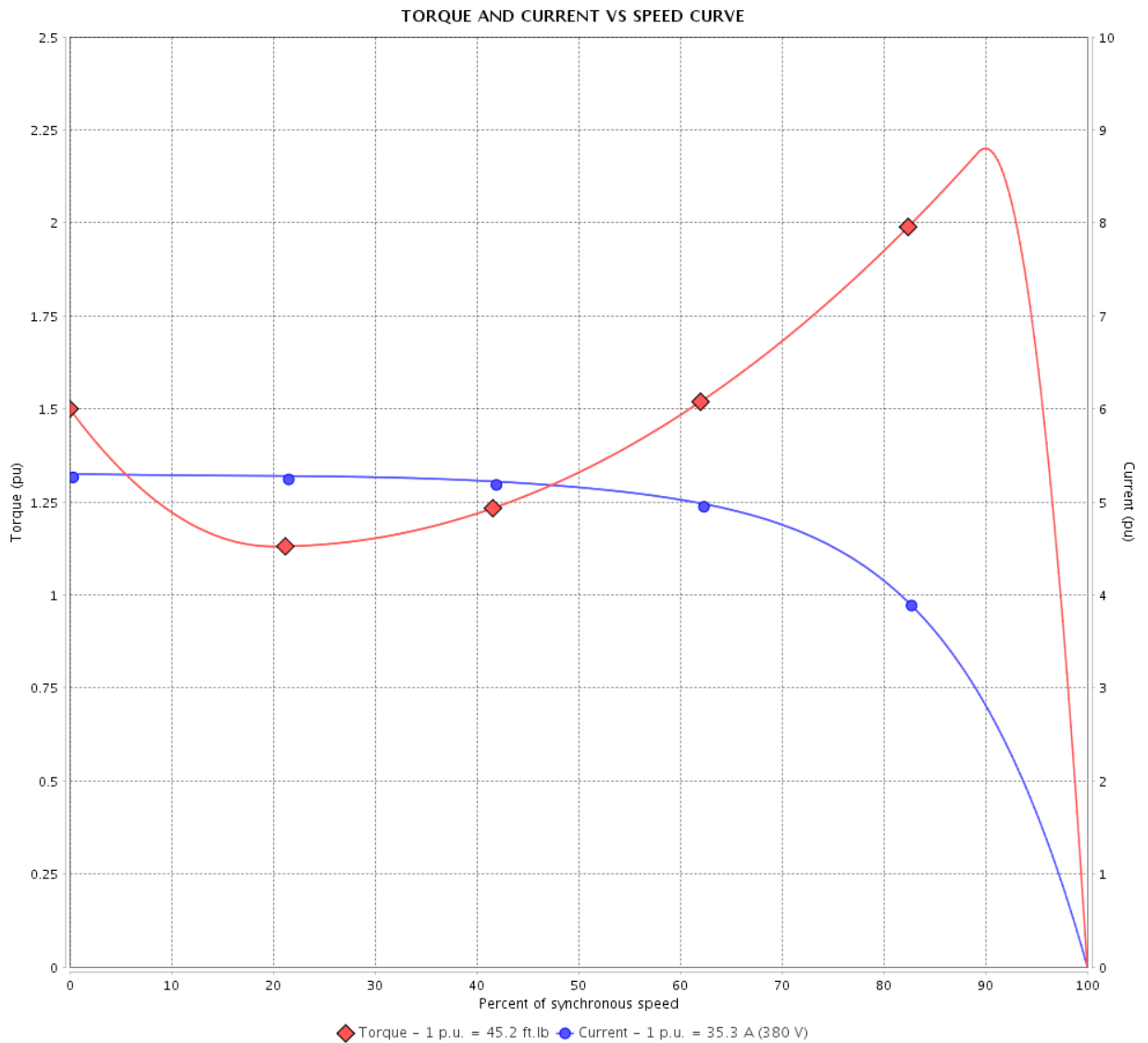
Three Phase Induction Motor - Squirrel Cage

Customer :

Product line : JM Pump NEMA Premium Efficiency Three-Phase

Product code : 13483000

Catalog # : 02536OT3E256JMV-S



Performance : 190/380 V 50 Hz 2P

Rated current : 70.6/35.3 A
 LRC : 5.3
 Rated torque : 45.2 ft.lb
 Locked rotor torque : 150 %
 Breakdown torque : 220 %
 Rated speed : 2905 rpm

Moment of inertia (J) : 0.9155 sq.ft.lb
 Duty cycle : Cont.(S1)
 Insulation class : F
 Service factor : 1.15
 Temperature rise : 80 K
 Design : B

Locked rotor time : 0s (cold) 0s (hot)

Rev.	Changes Summary	Performed	Checked	Date
Performed by			Page 3 /	Revision
Checked by				
Date	14/04/2022			

TORQUE AND CURRENT VS SPEED CURVE

Three Phase Induction Motor - Squirrel Cage



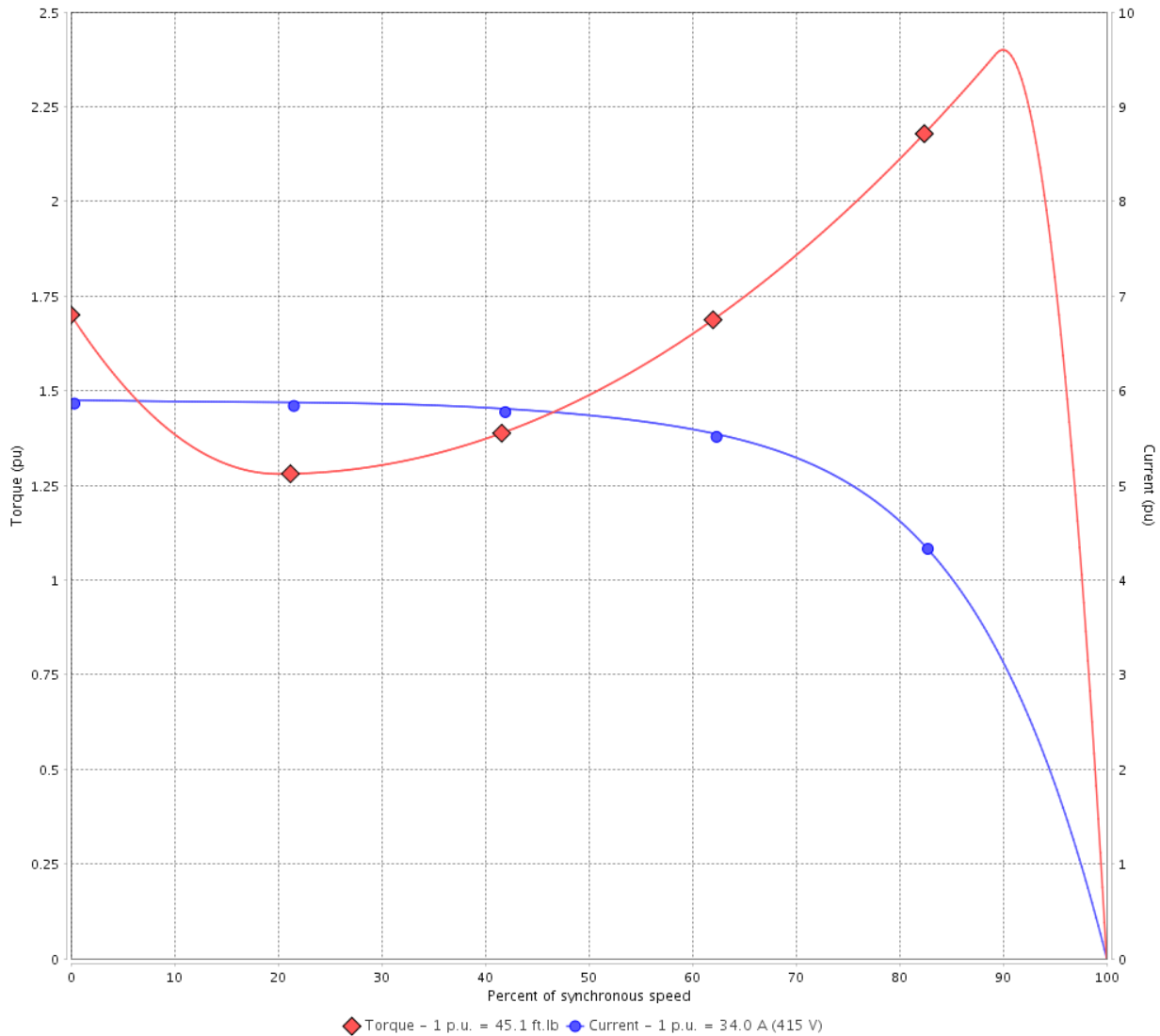
Customer :

Product line : JM Pump NEMA Premium
Efficiency Three-Phase

Product code : 13483000

Catalog # : 02536OT3E256JMV-S

TORQUE AND CURRENT VS SPEED CURVE



Performance : 220/415 V 50 Hz 2P

Rated current	: 64.1/34.0 A	Moment of inertia (J)	: 0.9155 sq.ft.lb
LRC	: 5.9	Duty cycle	: Cont.(S1)
Rated torque	: 45.1 ft.lb	Insulation class	: F
Locked rotor torque	: 170 %	Service factor	: 1.15
Breakdown torque	: 240 %	Temperature rise	: 80 K
Rated speed	: 2910 rpm	Design	: B

Locked rotor time : 0s (cold) 0s (hot)

Rev.	Changes Summary	Performed	Checked	Date
Performed by			Page 4 /	Revision
Checked by				
Date	14/04/2022			

LOAD PERFORMANCE CURVE

Three Phase Induction Motor - Squirrel Cage

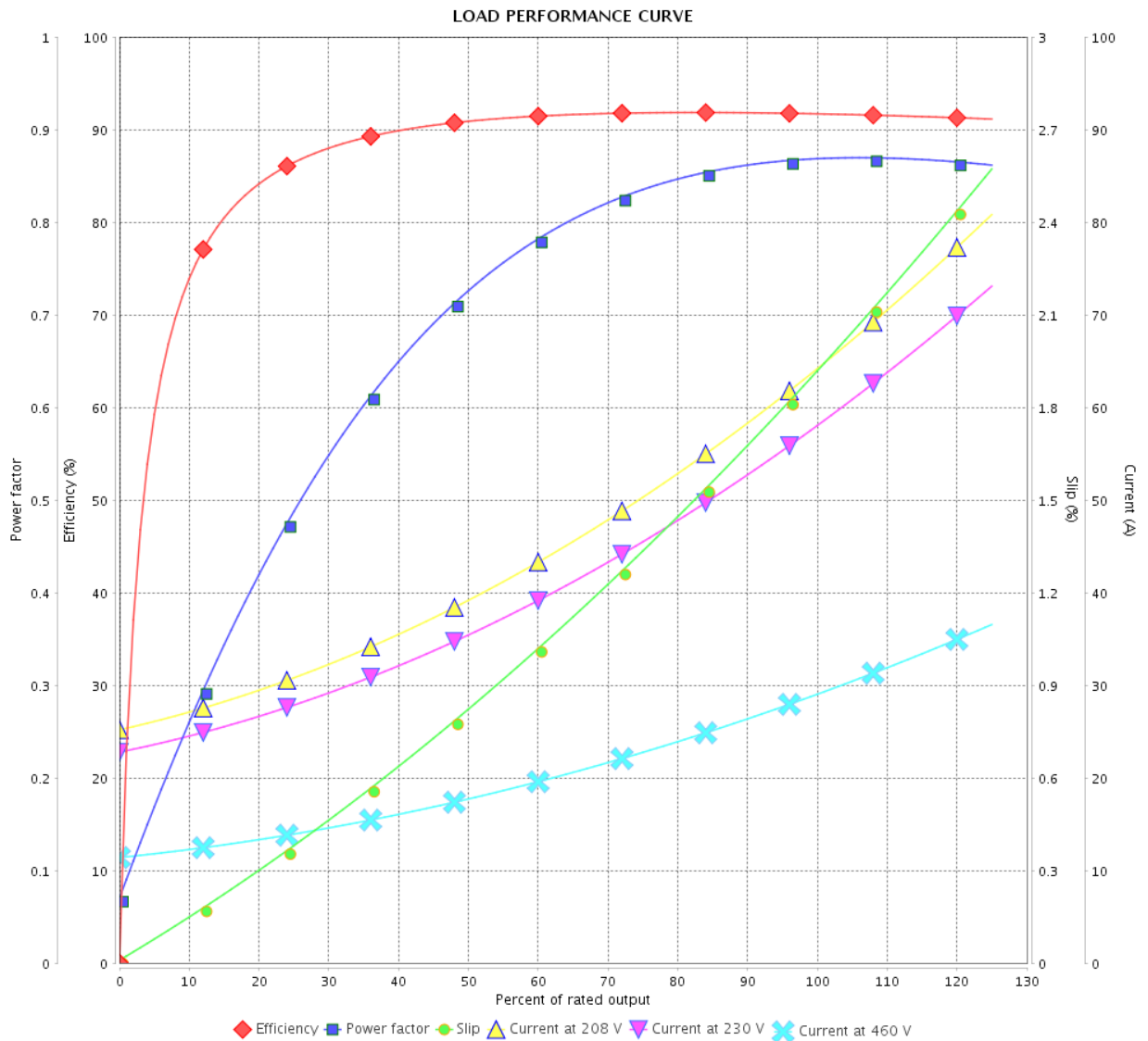


Customer :

Product line : JM Pump NEMA Premium Efficiency Three-Phase

Product code : 13483000

Catalog # : 02536OT3E256JMV-S



Performance : 230/460 V 60 Hz 2P

Rated current : 58.2/29.1 A
 LRC : 6.3
 Rated torque : 37.2 ft.lb
 Locked rotor torque : 180 %
 Breakdown torque : 290 %
 Rated speed : 3530 rpm

Moment of inertia (J) : 0.9155 sq.ft.lb
 Duty cycle : Cont.(S1)
 Insulation class : F
 Service factor : 1.15
 Temperature rise : 80 K
 Design : B

Rev.	Changes Summary	Performed	Checked	Date
Performed by		Page		Revision
Checked by		5 /		
Date		14/04/2022		

LOAD PERFORMANCE CURVE

Three Phase Induction Motor - Squirrel Cage



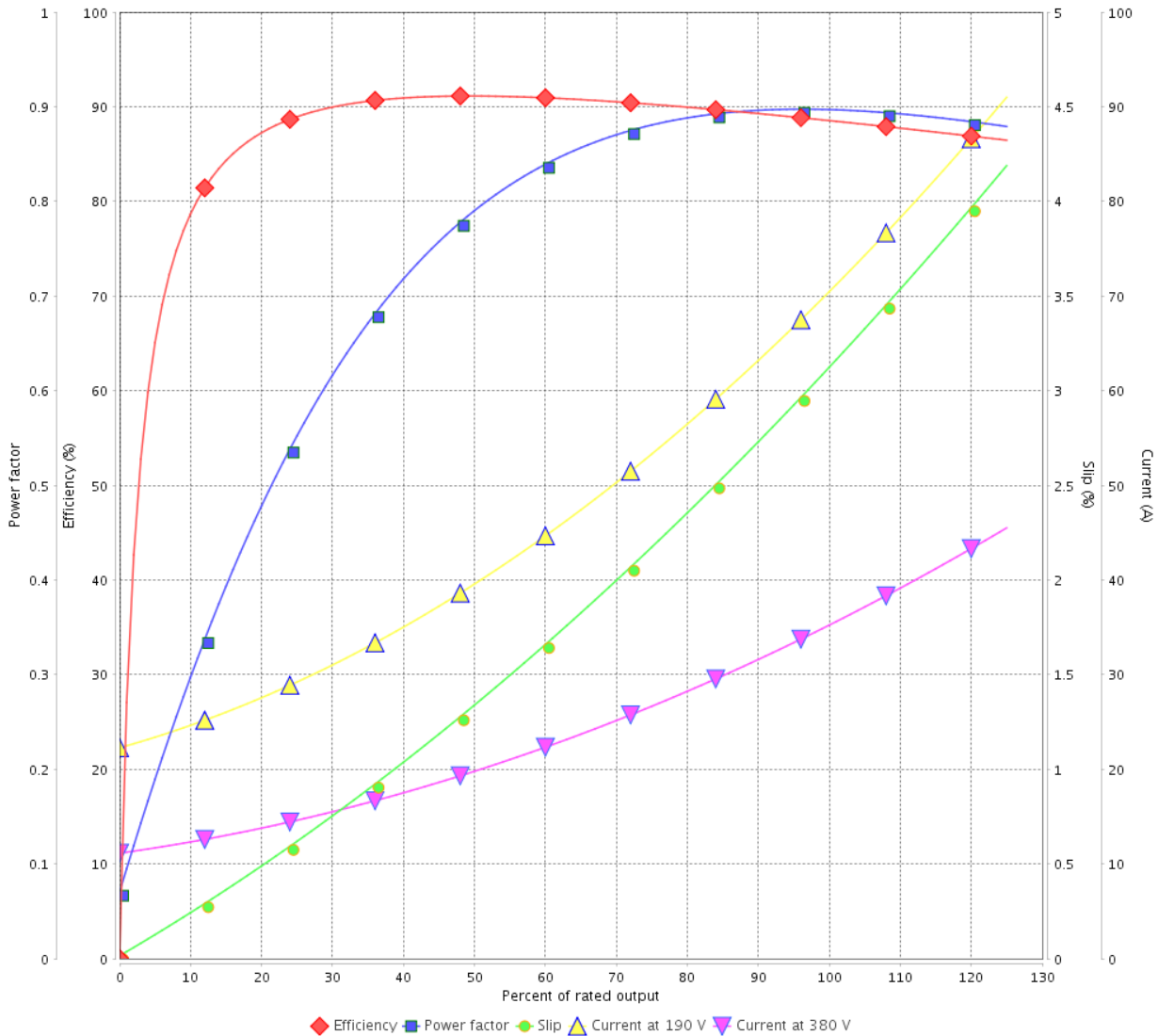
Customer :

Product line : JM Pump NEMA Premium
Efficiency Three-Phase

Product code : 13483000

Catalog # : 02536OT3E256JMV-S

LOAD PERFORMANCE CURVE



Performance : 190/380 V 50 Hz 2P

Rated current : 70.6/35.3 A
LRC : 5.3
Rated torque : 45.2 ft.lb
Locked rotor torque : 150 %
Breakdown torque : 220 %
Rated speed : 2905 rpm

Moment of inertia (J) : 0.9155 sq.ft.lb
Duty cycle : Cont.(S1)
Insulation class : F
Service factor : 1.15
Temperature rise : 80 K
Design : B

Rev.	Changes Summary	Performed	Checked	Date
Performed by			Page	Revision
Checked by				
Date				
			6 /	

LOAD PERFORMANCE CURVE

Three Phase Induction Motor - Squirrel Cage

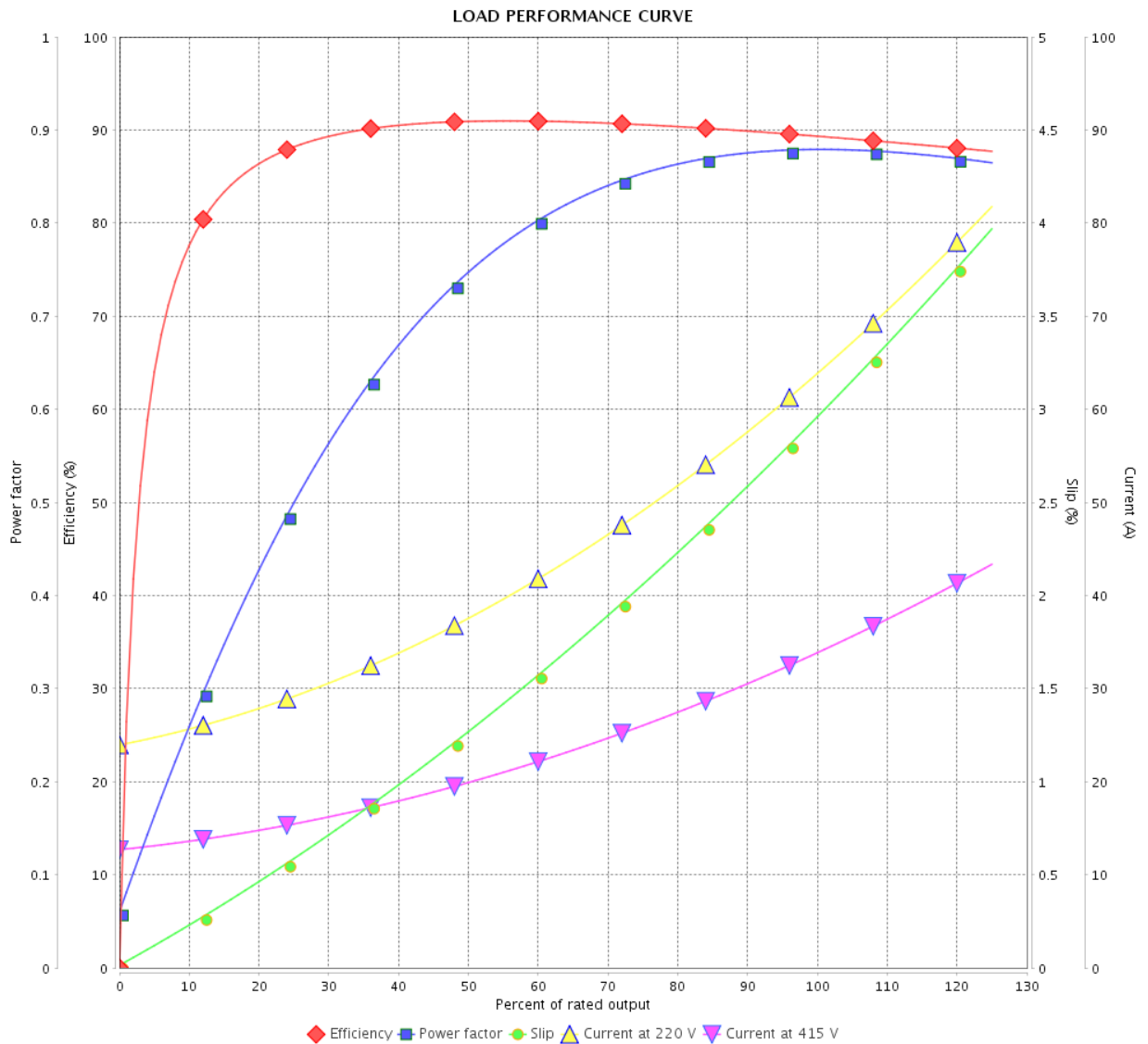


Customer : _____

Product line : JM Pump NEMA Premium
Efficiency Three-Phase

Product code : 13483000

Catalog # : 02536OT3E256JMV-S



Performance : 220/415 V 50 Hz 2P

Rated current : 64.1/34.0 A
 LRC : 5.9
 Rated torque : 45.1 ft.lb
 Locked rotor torque : 170 %
 Breakdown torque : 240 %
 Rated speed : 2910 rpm

Moment of inertia (J) : 0.9155 sq.ft.lb
 Duty cycle : Cont.(S1)
 Insulation class : F
 Service factor : 1.15
 Temperature rise : 80 K
 Design : B

Rev.	Changes Summary	Performed	Checked	Date
Performed by		Page		Revision
Checked by		7 /		
Date		14/04/2022		

THERMAL LIMIT CURVE



Three Phase Induction Motor - Squirrel Cage

Customer :

Product line : JM Pump NEMA Premium
Efficiency Three-Phase

Product code : 13483000

Catalog # : 02536OT3E256JMV-S

Performance : 230/460 V 60 Hz 2P

Rated current : 58.2/29.1 A
LRC : 6.3
Rated torque : 37.2 ft.lb
Locked rotor torque : 180 %
Breakdown torque : 290 %
Rated speed : 3530 rpm

Moment of inertia (J) : 0.9155 sq.ft.lb
Duty cycle : Cont.(S1)
Insulation class : F
Service factor : 1.15
Temperature rise : 80 K
Design : B

Heating constant

Cooling constant

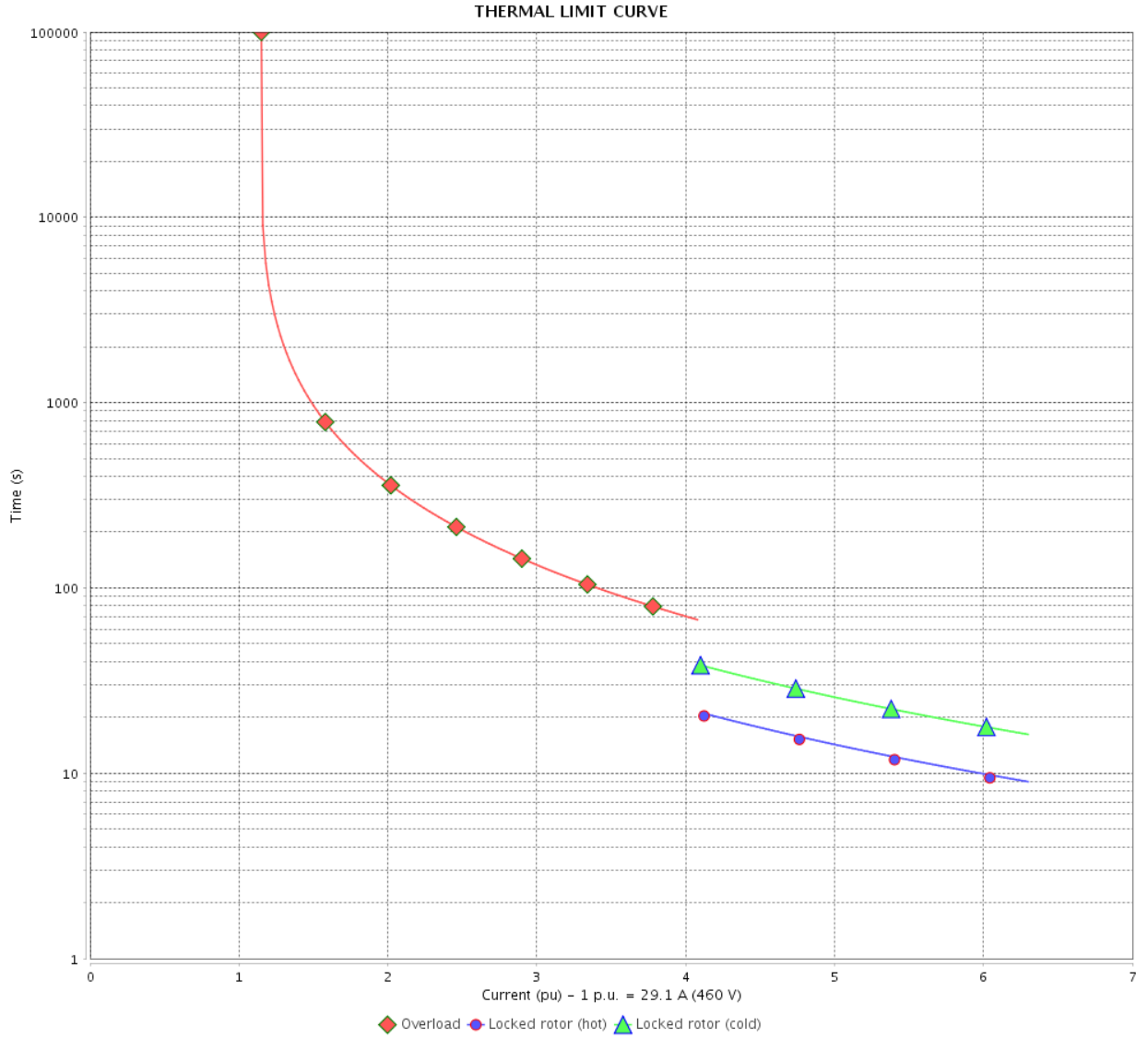
Rev.	Changes Summary	Performed	Checked	Date
Performed by				
Checked by			Page	Revision
Date	14/04/2022		8 /	

THERMAL LIMIT CURVE

Three Phase Induction Motor - Squirrel Cage



Customer : _____



Rev.	Changes Summary	Performed	Checked	Date
Performed by				
Checked by				
Date				
			Page	Revision
			9 /	

THERMAL LIMIT CURVE



Three Phase Induction Motor - Squirrel Cage

Customer :

Product line : JM Pump NEMA Premium
Efficiency Three-Phase

Product code : 13483000

Catalog # : 02536OT3E256JMV-S

Performance : 190/380 V 50 Hz 2P

Rated current : 70.6/35.3 A
LRC : 5.3
Rated torque : 45.2 ft.lb
Locked rotor torque : 150 %
Breakdown torque : 220 %
Rated speed : 2905 rpm

Moment of inertia (J) : 0.9155 sq.ft.lb
Duty cycle : Cont.(S1)
Insulation class : F
Service factor : 1.15
Temperature rise : 80 K
Design : B

Heating constant

Cooling constant

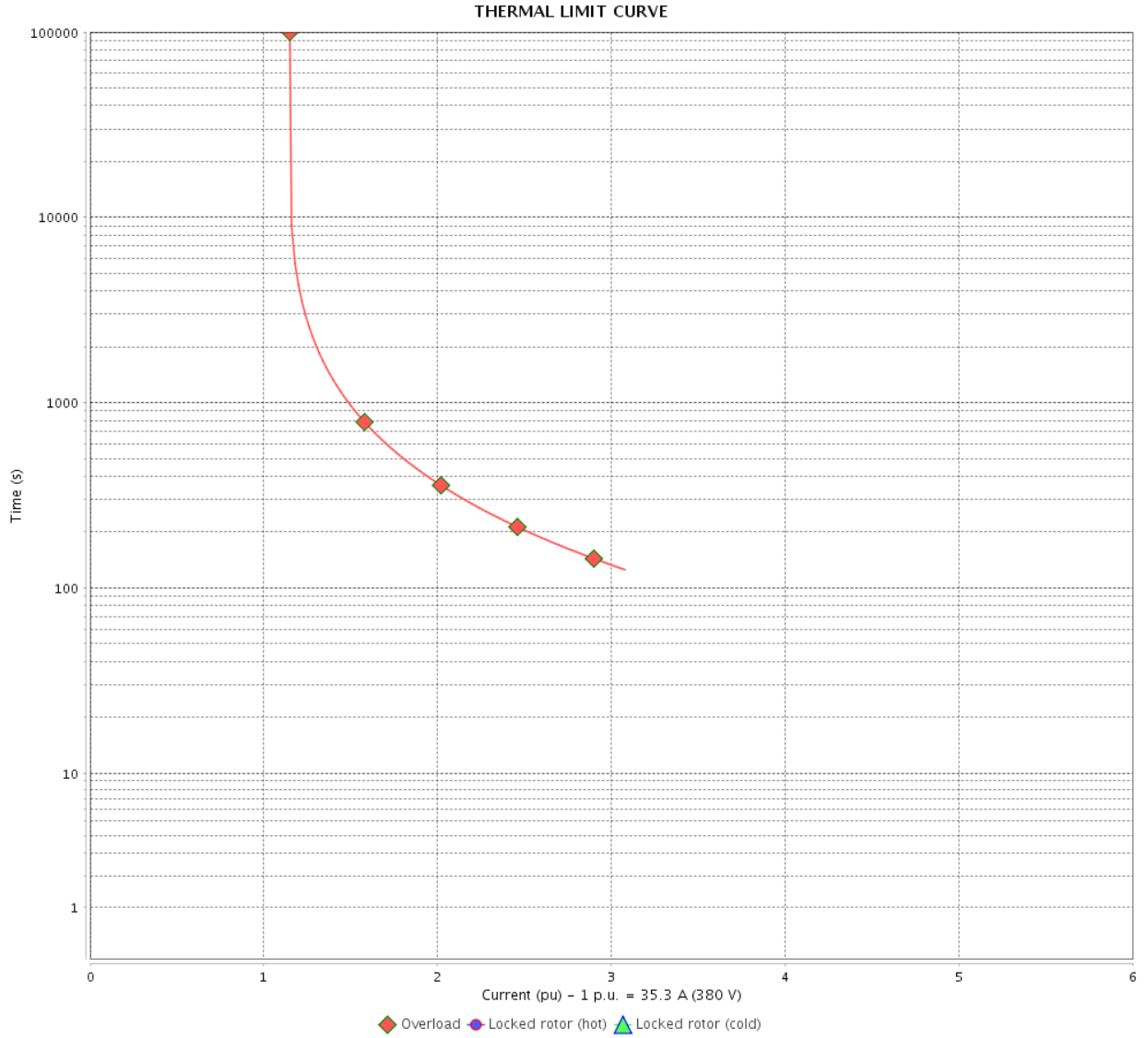
Rev.	Changes Summary	Performed	Checked	Date
Performed by				
Checked by				
Date	14/04/2022			
			Page	Revision
			10 /	

THERMAL LIMIT CURVE

Three Phase Induction Motor - Squirrel Cage



Customer : _____



Rev.	Changes Summary	Performed	Checked	Date
Performed by		Page		Revision
Checked by		11 /		
Date		14/04/2022		

THERMAL LIMIT CURVE

Three Phase Induction Motor - Squirrel Cage



Customer :

Product line : JM Pump NEMA Premium
Efficiency Three-Phase

Product code : 13483000

Catalog # : 02536OT3E256JMV-S

Performance : 220/415 V 50 Hz 2P

Rated current : 64.1/34.0 A
LRC : 5.9
Rated torque : 45.1 ft.lb
Locked rotor torque : 170 %
Breakdown torque : 240 %
Rated speed : 2910 rpm

Moment of inertia (J) : 0.9155 sq.ft.lb
Duty cycle : Cont.(S1)
Insulation class : F
Service factor : 1.15
Temperature rise : 80 K
Design : B

Heating constant

Cooling constant

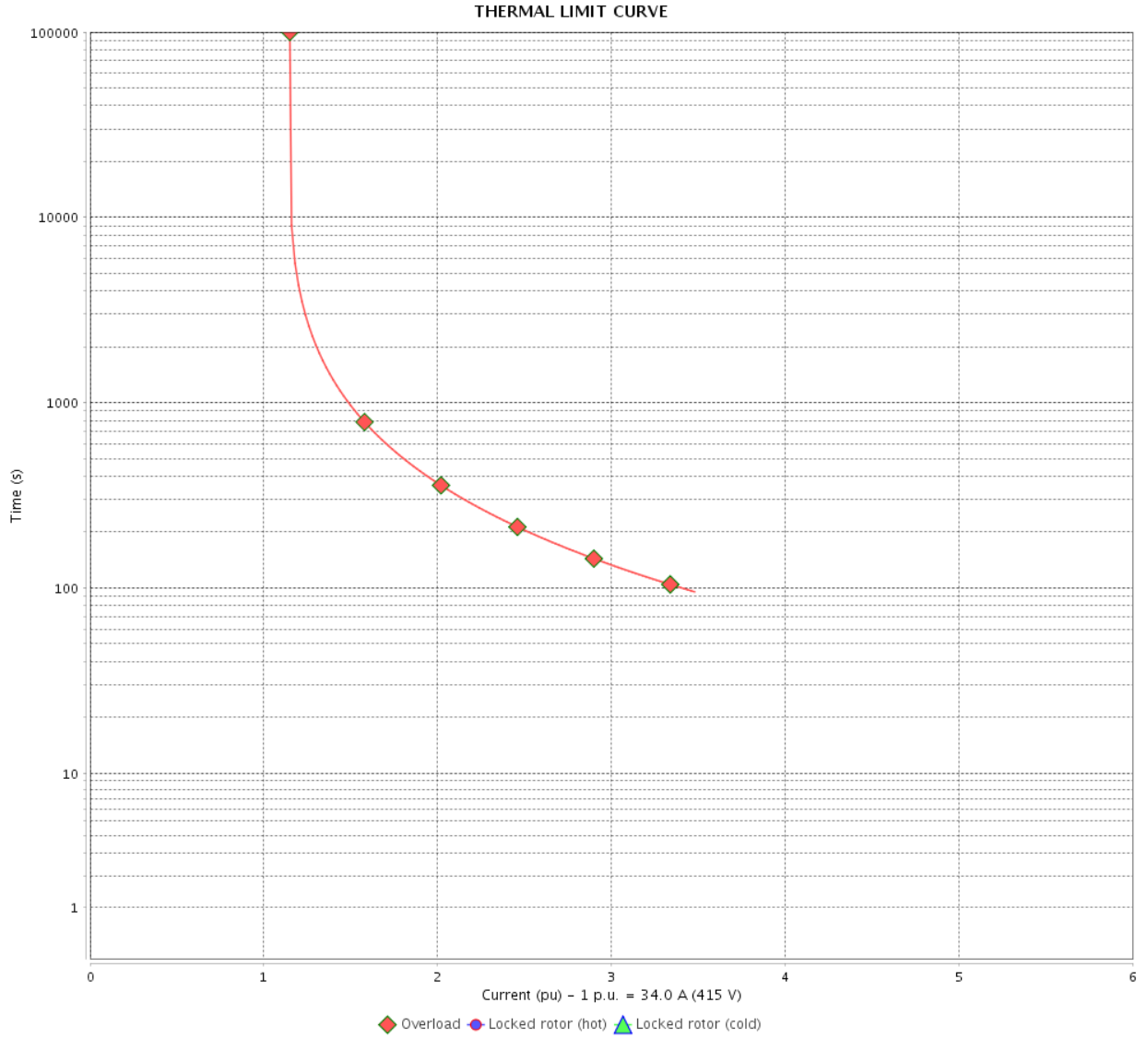
Rev.	Changes Summary	Performed	Checked	Date
Performed by				
Checked by			Page	Revision
Date	14/04/2022		12 /	

THERMAL LIMIT CURVE

Three Phase Induction Motor - Squirrel Cage



Customer : _____



Rev.	Changes Summary	Performed	Checked	Date
Performed by		Page		Revision
Checked by		13 /		
Date		14/04/2022		

VFD OPERATION CURVE

Three Phase Induction Motor - Squirrel Cage



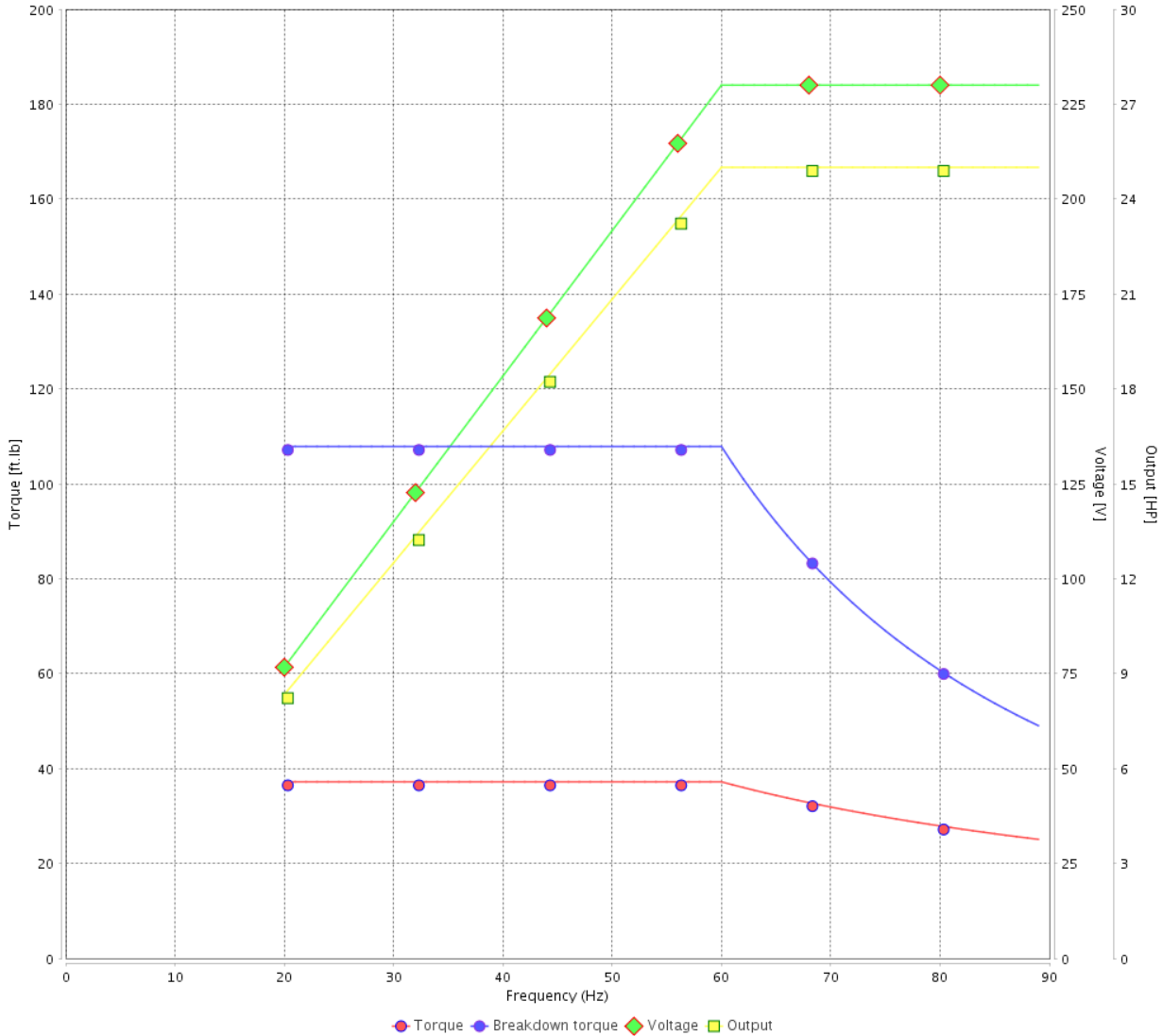
Customer :

Product line : JM Pump NEMA Premium Efficiency Three-Phase

Product code : 13483000

Catalog # : 02536OT3E256JMV-S

VFD OPERATION CURVE



Performance : 230/460 V 60 Hz 2P

Rated current : 58.2/29.1 A
 LRC : 6.3
 Rated torque : 37.2 ft.lb
 Locked rotor torque : 180 %
 Breakdown torque : 290 %
 Rated speed : 3530 rpm

Moment of inertia (J) : 0.9155 sq.ft.lb
 Duty cycle : Cont.(S1)
 Insulation class : F
 Service factor : 1.15
 Temperature rise : 80 K
 Design : B

Rev.	Changes Summary	Performed	Checked	Date
Performed by			Page	Revision
Checked by				
Date				

1 2 3 4 5 6

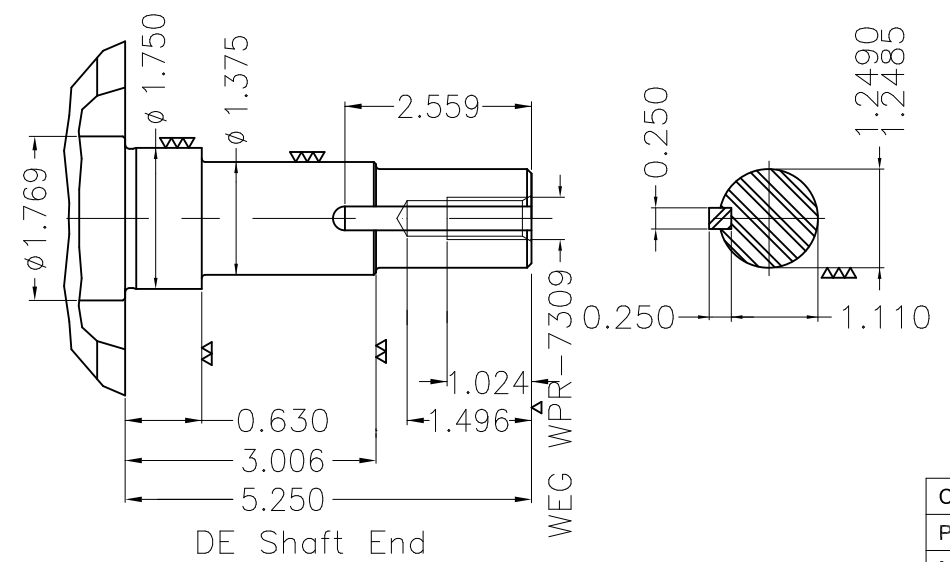
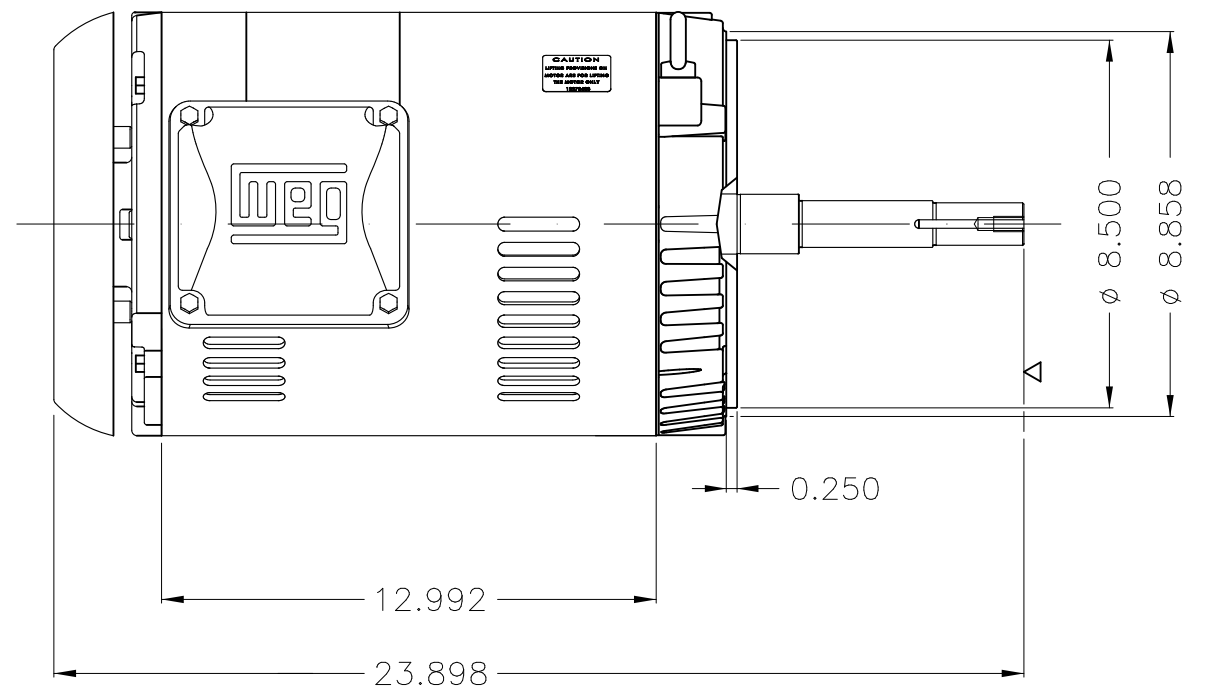
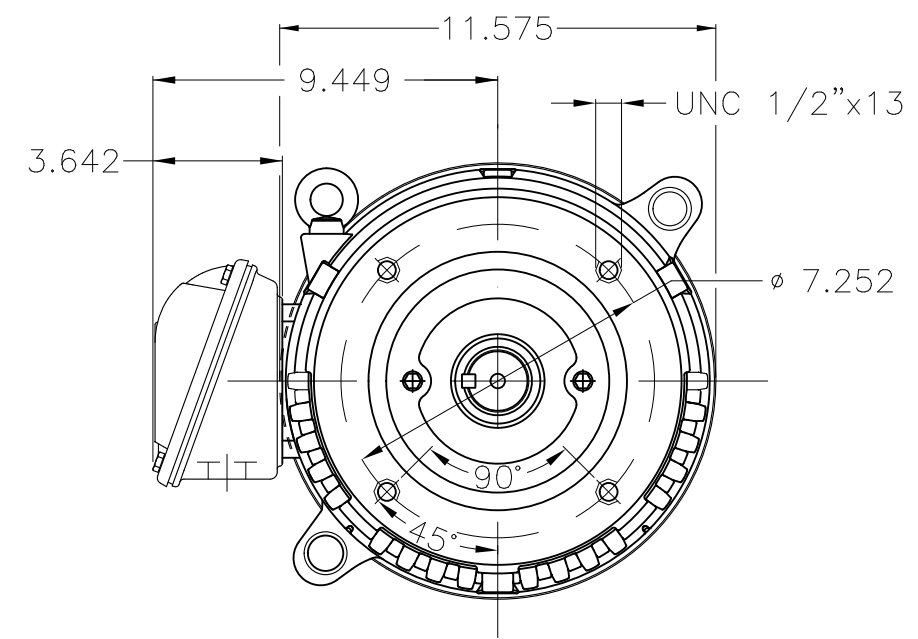
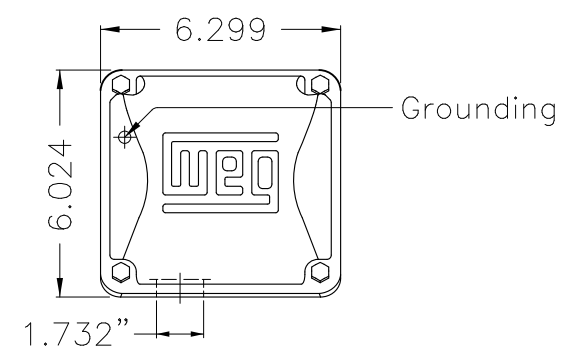
A

B

C

D

E



EUNC 1/2"-13 WEG WPR-7309

Color Munsell N 1 matte black									
Painting plan 207N									
Mounting W-6/V18R(D)									
ECM	LOC	SUMMARY OF MODIFICATIONS			EXECUTED	CHECKED	RELEASED	DATE	VER
EXECUTED	PIRWBUSER	THREE PH. MOTOR ROLLED STEEL CLOSE COUPLED PUMP JM TYPE PSE 187							
CHECKED		FRAME 254/6JM IP21 ODP							
RELEASED									
REL DT.		WMO	Jaragua do Sul	Product Engineering					

25 HP 02 Poles 60 Hz

REL DT. WMO Jaragua do Sul Product Engineering SHEET 1 / 1



Dimensions in inches XME A3

WEG
NEMA
Premium

MADE IN MEXICO

MAT: 13483000 CC029A

W01.T00IC0X0N

MODEL 025360T3E256JMV-S

11NOV2019 S/N:

PH 3 FR 254/6JM HP(KW) 25(18.5) Hz 60

V 230/460 RPM 3530

A 58.2/29.1 DUTY CONT.

SFA 66.9/33.5 CODE G DES B

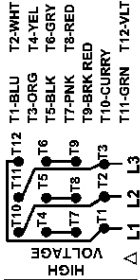
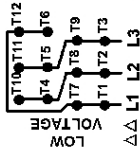
SF 1.15 INS CL F AT 80K AMB 40°C ENCL ODP

PF 0.87 NEMA NOM.EFF. 91.7%

ALT 1000 m.a.s.l. USABLE @ 208V 64.4A SF1.00

ALTERNATE RATING: 25HP 50Hz 190-220/380-415V SF1.15

70.6-62.3/35.3-33.0A 2905RPM EFF 88.5% IEC 60034-1

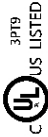


Inverter duty motor For 60Hz use on VPWM 1000:1 VT, 3:1 CT

DE: 6309-Z-C3 ODE: 6208-Z-C3 MOBIL POLYREX EM 15797h

WARNING: Motor must be grounded in accordance with local and national electrical codes to prevent serious electrical shocks. Disconnect power source before servicing unit.

AVERTISSEMENT: Le moteur doit être mis à la terre conformément aux codes électriques locaux et nationaux afin d'éviter tout choc électrique grave. Déconnectez l'alimentation avant l'entretien de la machine.



3PT9

US LISTED



Energy Verified