

DATA SHEET



Three Phase Induction Motor - Squirrel Cage

Customer :		
Product line	: JP Pump NEMA Premium Efficiency Three-Phase	
Product code :	12869081	
Catalog # :	02536OT3E256JP-S	
Frame	: 254/6JP	
Insulation class	: F	
Duty cycle	: Cont.(S1)	
Ambient temperature	: -20°C to +40°C	
Altitude	: 1000 m.a.s.l.	
Design	: B	
Cooling method	: IC01 - ODP	
Mounting	: F-1	
Rotation ¹	: Both (CW and CCW)	
Starting method	: Direct On Line	
Approx. weight ²	: 196 lb	
Moment of inertia (J)	: 0.9155 sq.ft.lb	
Output [HP]	25	
Poles	2	
Frequency [Hz]	60	
Rated voltage [V]	230/460	
Rated current [A]	58.2/29.1	
L. R. Amperes [A]	367/183	
LRC [A]	6.3x(Code G)	
No load current [A]	22.8/11.4	
Rated speed [RPM]	3530	
Slip [%]	1.94	
Rated torque [ft.lb]	37.2	
Locked rotor torque [%]	180	
Breakdown torque [%]	290	
Service factor	1.15	
Temperature rise	80 K	
Locked rotor time	16s (cold) 9s (hot)	
Noise level ²	70.0 dB(A)	
Efficiency (%)	25%	90.8
	50%	91.0
	75%	91.7
	100%	91.7
Power Factor	25%	0.46
	50%	0.73
	75%	0.83
	100%	0.87
Bearing type	: <u>Drive end</u> 6309 Z C3 <u>Non drive end</u> 6208 Z C3	
Sealing	: Without Without	
	: Bearing Seal Bearing Seal	
Lubrication interval	: 20000 h 20000 h	
Lubricant amount	: 13 g 8 g	
Lubricant type	: Mobil Polyrex EM	
Foundation loads	Max. traction : 421 lb	
	Max. compression : 617 lb	
Notes		
USABLE @208V 64.3A SF 1.00 SFA 64.3A		
This revision replaces and cancel the previous one, which must be eliminated.		
(1) Looking the motor from the shaft end.		
(2) Measured at 1m and with tolerance of +3dB(A).		
(3) Approximate weight subject to changes after manufacturing process.		
(4) At 100% of full load.		
These are average values based on tests with sinusoidal power supply, subject to the tolerances stipulated in NEMA MG-1.		
Rev.	Changes Summary	
Performed by	Performed	
Checked by	Checked	
Date	Date	
14/04/2022		
Page	Revision	
1 /		

TORQUE AND CURRENT VS SPEED CURVE

Three Phase Induction Motor - Squirrel Cage



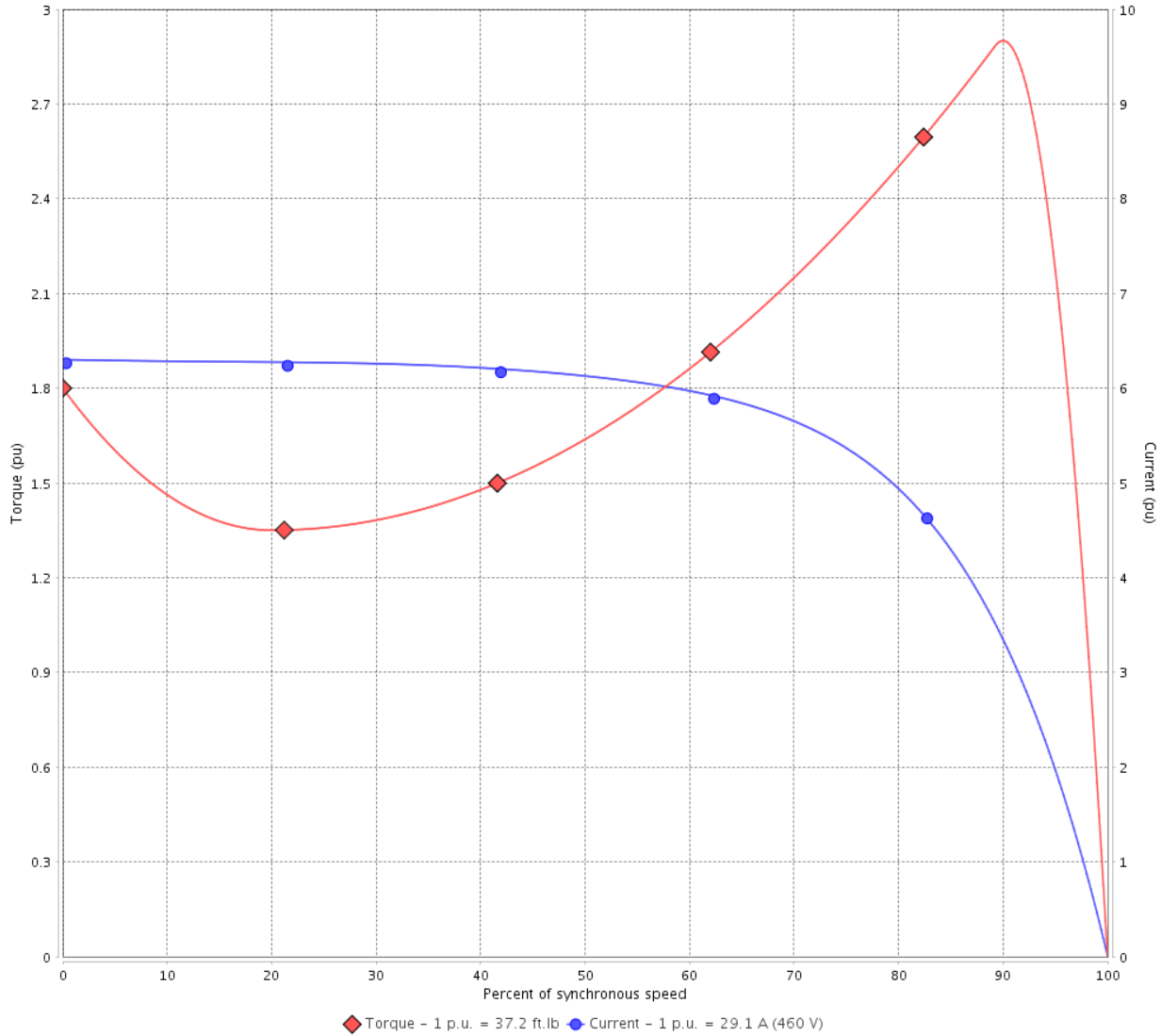
Customer :

Product line : JP Pump NEMA Premium Efficiency Three-Phase

Product code : 12869081

Catalog # : 02536OT3E256JP-S

TORQUE AND CURRENT VS SPEED CURVE



Performance : 230/460 V 60 Hz 2P

Rated current	: 58.2/29.1 A	Moment of inertia (J)	: 0.9155 sq.ft.lb
LRC	: 6.3	Duty cycle	: Cont.(S1)
Rated torque	: 37.2 ft.lb	Insulation class	: F
Locked rotor torque	: 180 %	Service factor	: 1.15
Breakdown torque	: 290 %	Temperature rise	: 80 K
Rated speed	: 3530 rpm	Design	: B

Locked rotor time : 16s (cold) 9s (hot)

Rev.	Changes Summary	Performed	Checked	Date
Performed by			Page 2 /	Revision
Checked by				
Date	14/04/2022			

TORQUE AND CURRENT VS SPEED CURVE



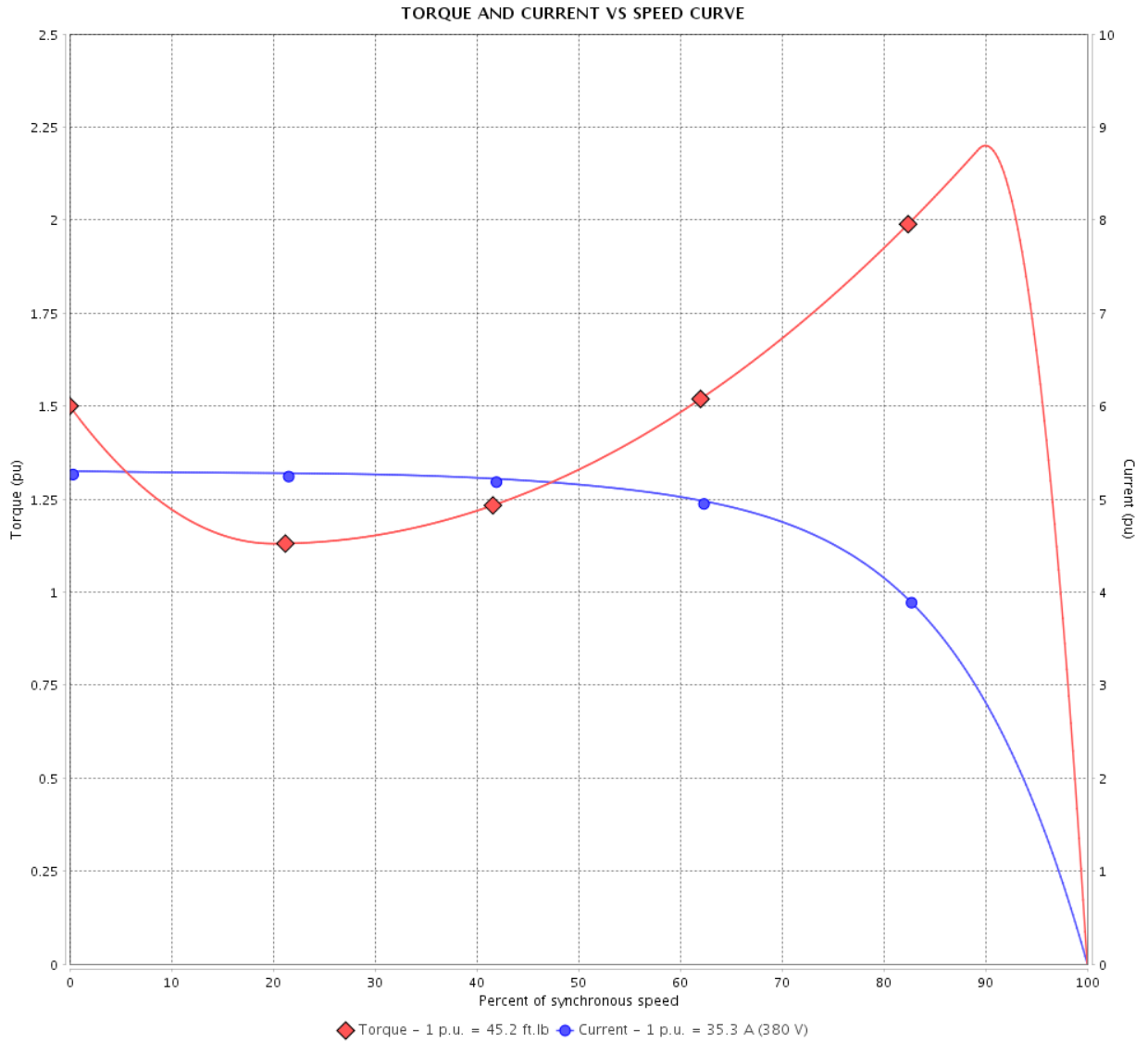
Three Phase Induction Motor - Squirrel Cage

Customer :

Product line : JP Pump NEMA Premium Efficiency Three-Phase

Product code : 12869081

Catalog # : 02536OT3E256JP-S



Performance : 190/380 V 50 Hz 2P

Rated current : 70.6/35.3 A
 LRC : 5.3
 Rated torque : 45.2 ft.lb
 Locked rotor torque : 150 %
 Breakdown torque : 220 %
 Rated speed : 2905 rpm

Moment of inertia (J) : 0.9155 sq.ft.lb
 Duty cycle : Cont.(S1)
 Insulation class : F
 Service factor : 1.15
 Temperature rise : 80 K
 Design : B

Locked rotor time : 0s (cold) 0s (hot)

Rev.	Changes Summary	Performed	Checked	Date
Performed by			Page 3 /	Revision
Checked by				
Date	14/04/2022			

TORQUE AND CURRENT VS SPEED CURVE

Three Phase Induction Motor - Squirrel Cage



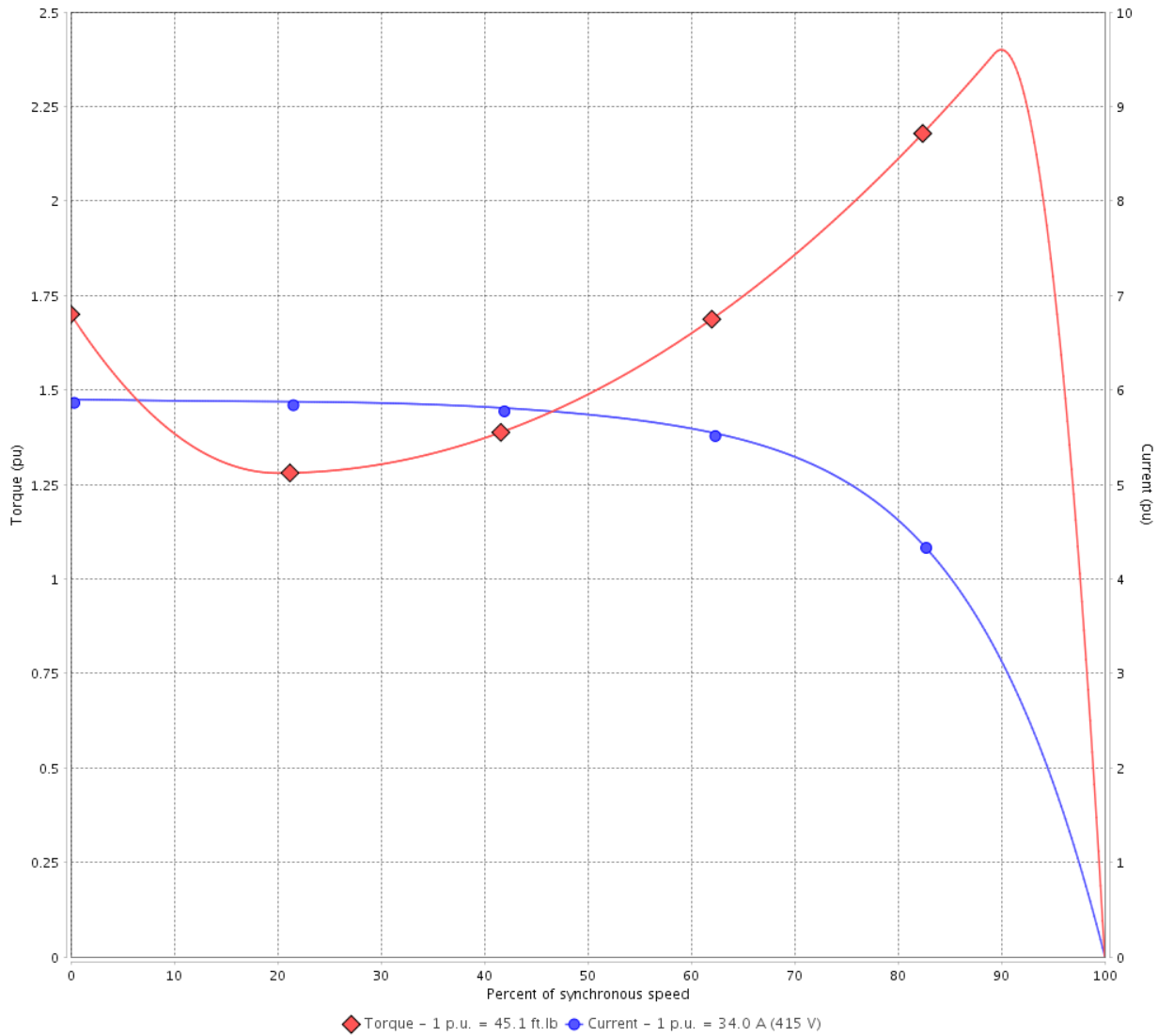
Customer :

Product line : JP Pump NEMA Premium
Efficiency Three-Phase

Product code : 12869081

Catalog # : 02536OT3E256JP-S

TORQUE AND CURRENT VS SPEED CURVE



Performance : 220/415 V 50 Hz 2P

Rated current : 64.1/34.0 A
LRC : 5.9
Rated torque : 45.1 ft.lb
Locked rotor torque : 170 %
Breakdown torque : 240 %
Rated speed : 2910 rpm

Moment of inertia (J) : 0.9155 sq.ft.lb
Duty cycle : Cont.(S1)
Insulation class : F
Service factor : 1.15
Temperature rise : 80 K
Design : B

Locked rotor time : 0s (cold) 0s (hot)

Rev.	Changes Summary	Performed	Checked	Date
Performed by			Page 4 /	Revision
Checked by				
Date	14/04/2022			

LOAD PERFORMANCE CURVE

Three Phase Induction Motor - Squirrel Cage

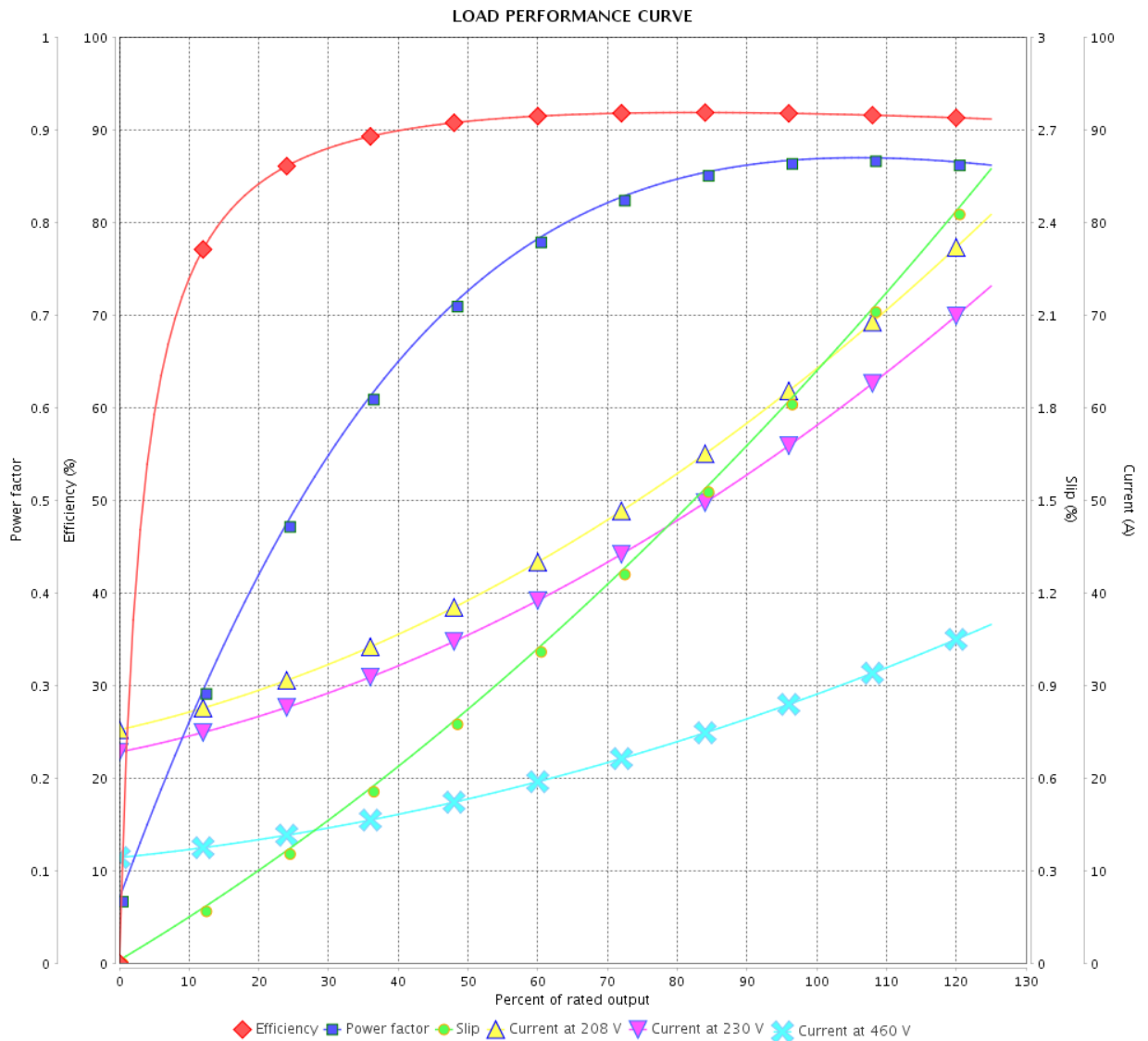


Customer : _____

Product line : JP Pump NEMA Premium
Efficiency Three-Phase

Product code : 12869081

Catalog # : 02536OT3E256JP-S



Performance : 230/460 V 60 Hz 2P

Rated current : 58.2/29.1 A
 LRC : 6.3
 Rated torque : 37.2 ft.lb
 Locked rotor torque : 180 %
 Breakdown torque : 290 %
 Rated speed : 3530 rpm

Moment of inertia (J) : 0.9155 sq.ft.lb
 Duty cycle : Cont.(S1)
 Insulation class : F
 Service factor : 1.15
 Temperature rise : 80 K
 Design : B

Rev.	Changes Summary	Performed	Checked	Date
Performed by		Page		Revision
Checked by		5 /		
Date		14/04/2022		

LOAD PERFORMANCE CURVE

Three Phase Induction Motor - Squirrel Cage



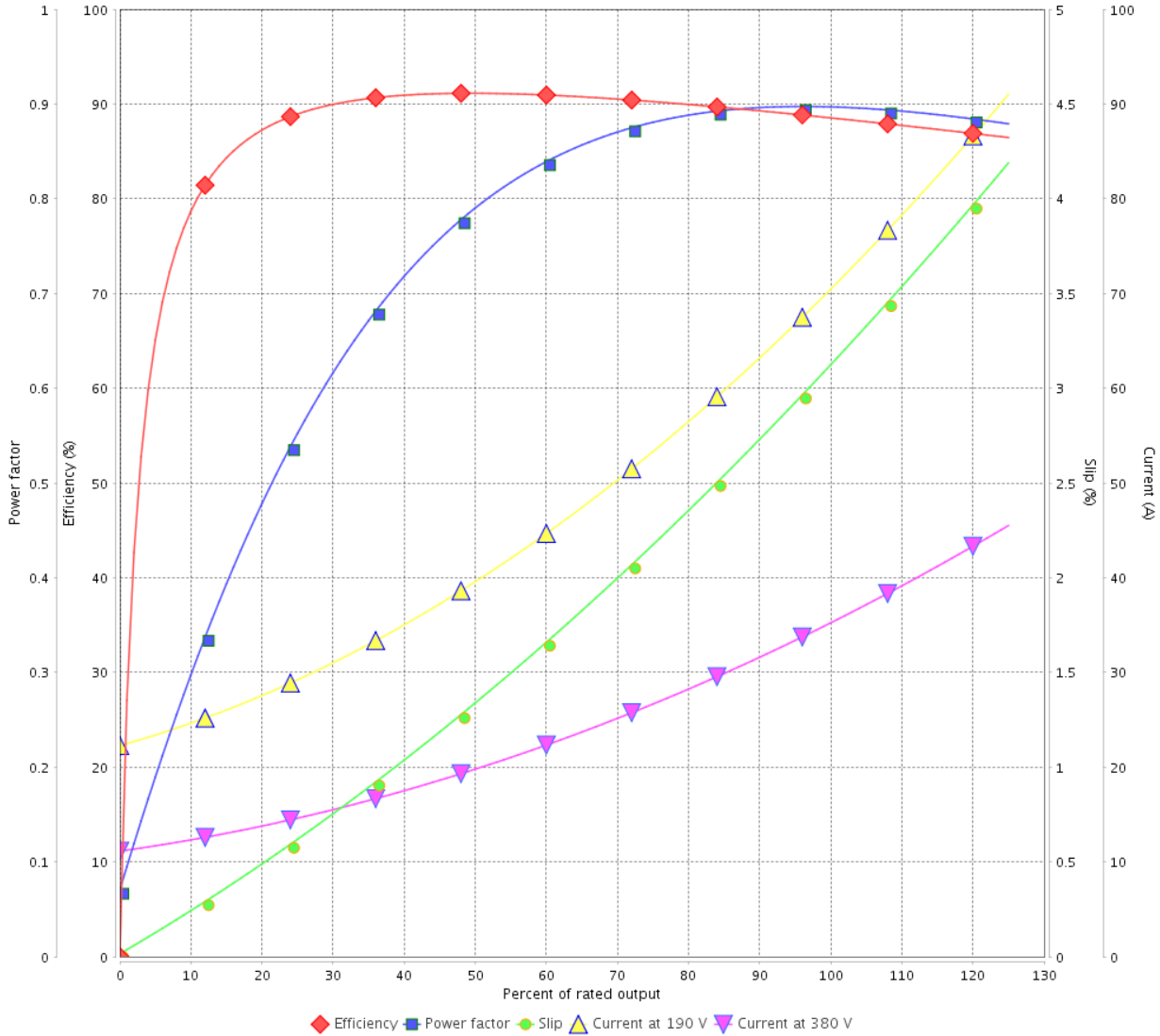
Customer :

Product line : JP Pump NEMA Premium Efficiency Three-Phase

Product code : 12869081

Catalog # : 02536OT3E256JP-S

LOAD PERFORMANCE CURVE



Performance : 190/380 V 50 Hz 2P

Rated current : 70.6/35.3 A
 LRC : 5.3
 Rated torque : 45.2 ft.lb
 Locked rotor torque : 150 %
 Breakdown torque : 220 %
 Rated speed : 2905 rpm

Moment of inertia (J) : 0.9155 sq.ft.lb
 Duty cycle : Cont.(S1)
 Insulation class : F
 Service factor : 1.15
 Temperature rise : 80 K
 Design : B

Rev.	Changes Summary	Performed	Checked	Date
Performed by			Page	Revision
Checked by				
Date				
			6 /	

LOAD PERFORMANCE CURVE

Three Phase Induction Motor - Squirrel Cage

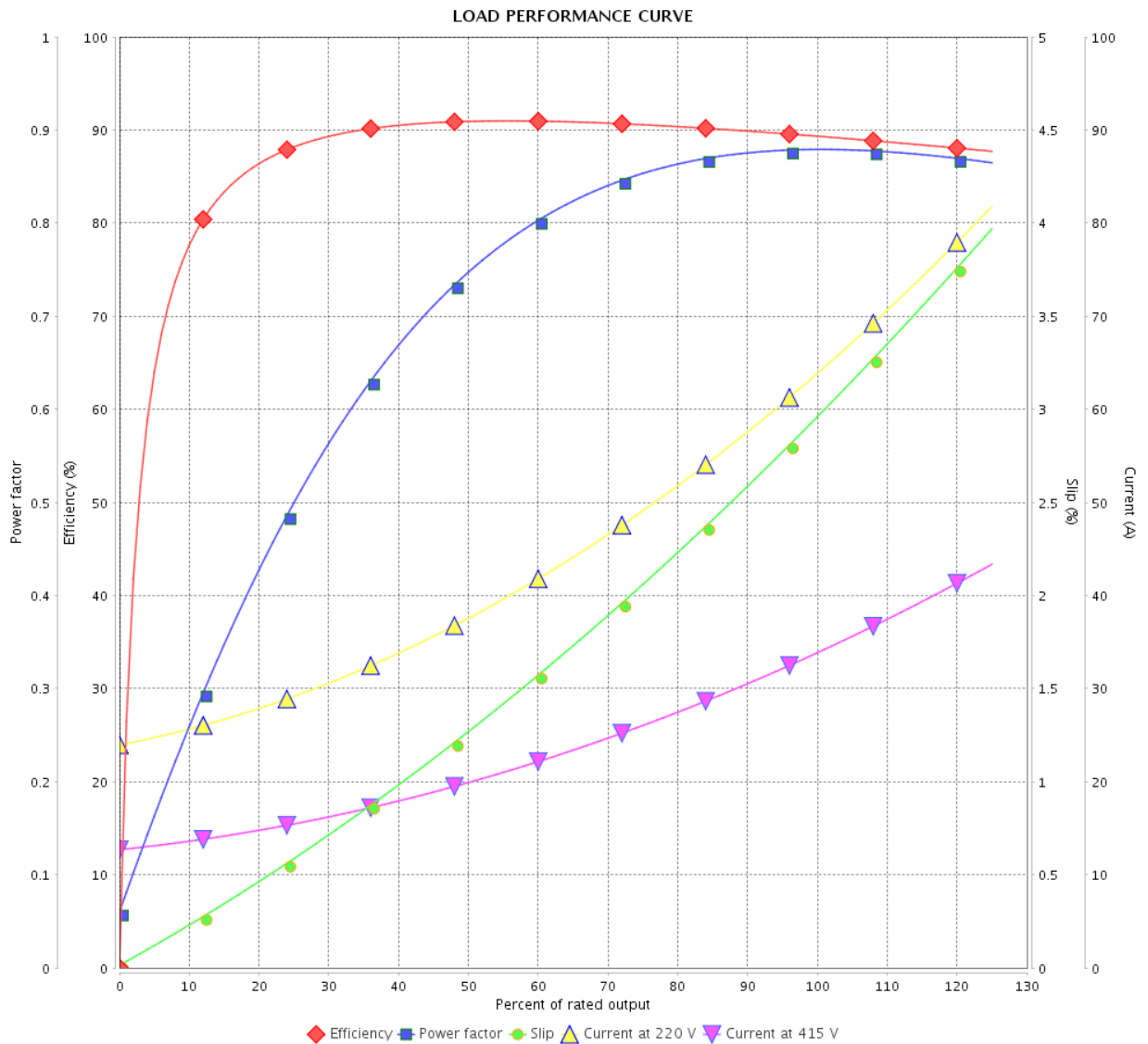


Customer : _____

Product line : JP Pump NEMA Premium Efficiency Three-Phase

Product code : 12869081

Catalog # : 02536OT3E256JP-S



Performance : 220/415 V 50 Hz 2P

Rated current : 64.1/34.0 A
 LRC : 5.9
 Rated torque : 45.1 ft.lb
 Locked rotor torque : 170 %
 Breakdown torque : 240 %
 Rated speed : 2910 rpm

Moment of inertia (J) : 0.9155 sq.ft.lb
 Duty cycle : Cont.(S1)
 Insulation class : F
 Service factor : 1.15
 Temperature rise : 80 K
 Design : B

Rev.	Changes Summary	Performed	Checked	Date
Performed by		Page		Revision
Checked by		7 /		
Date		14/04/2022		

THERMAL LIMIT CURVE



Three Phase Induction Motor - Squirrel Cage

Customer :

Product line : JP Pump NEMA Premium
Efficiency Three-Phase

Product code : 12869081

Catalog # : 02536OT3E256JP-S

Performance : 230/460 V 60 Hz 2P

Rated current : 58.2/29.1 A
LRC : 6.3
Rated torque : 37.2 ft.lb
Locked rotor torque : 180 %
Breakdown torque : 290 %
Rated speed : 3530 rpm

Moment of inertia (J) : 0.9155 sq.ft.lb
Duty cycle : Cont.(S1)
Insulation class : F
Service factor : 1.15
Temperature rise : 80 K
Design : B

Heating constant

Cooling constant

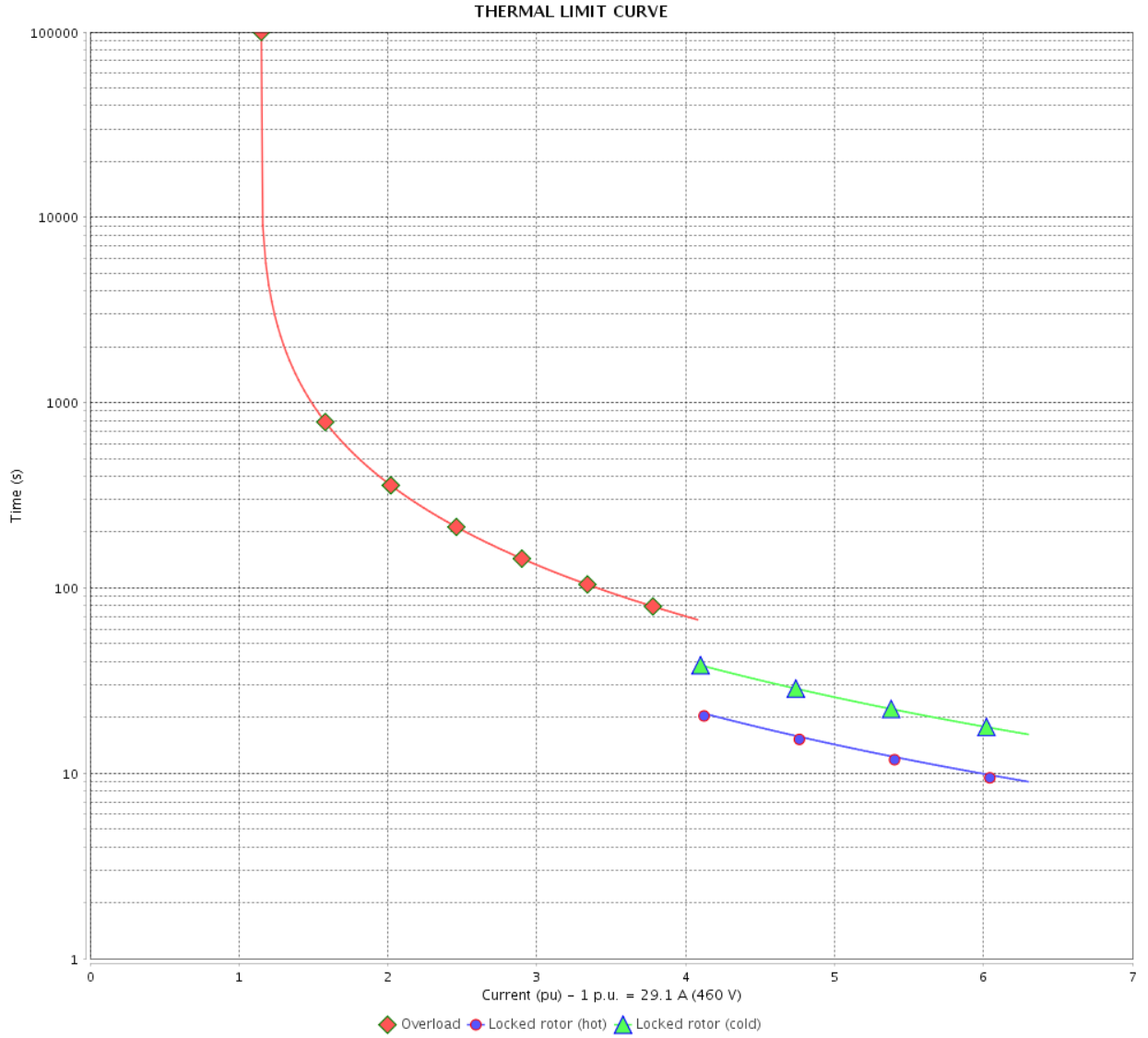
Rev.	Changes Summary	Performed	Checked	Date
Performed by				
Checked by			Page	Revision
Date	14/04/2022		8 /	

THERMAL LIMIT CURVE

Three Phase Induction Motor - Squirrel Cage



Customer : _____



Rev.	Changes Summary	Performed	Checked	Date
Performed by		Page		Revision
Checked by		9 /		
Date		14/04/2022		

THERMAL LIMIT CURVE



Three Phase Induction Motor - Squirrel Cage

Customer :

Product line : JP Pump NEMA Premium
Efficiency Three-Phase

Product code : 12869081

Catalog # : 02536OT3E256JP-S

Performance : 190/380 V 50 Hz 2P

Rated current : 70.6/35.3 A
LRC : 5.3
Rated torque : 45.2 ft.lb
Locked rotor torque : 150 %
Breakdown torque : 220 %
Rated speed : 2905 rpm

Moment of inertia (J) : 0.9155 sq.ft.lb
Duty cycle : Cont.(S1)
Insulation class : F
Service factor : 1.15
Temperature rise : 80 K
Design : B

Heating constant

Cooling constant

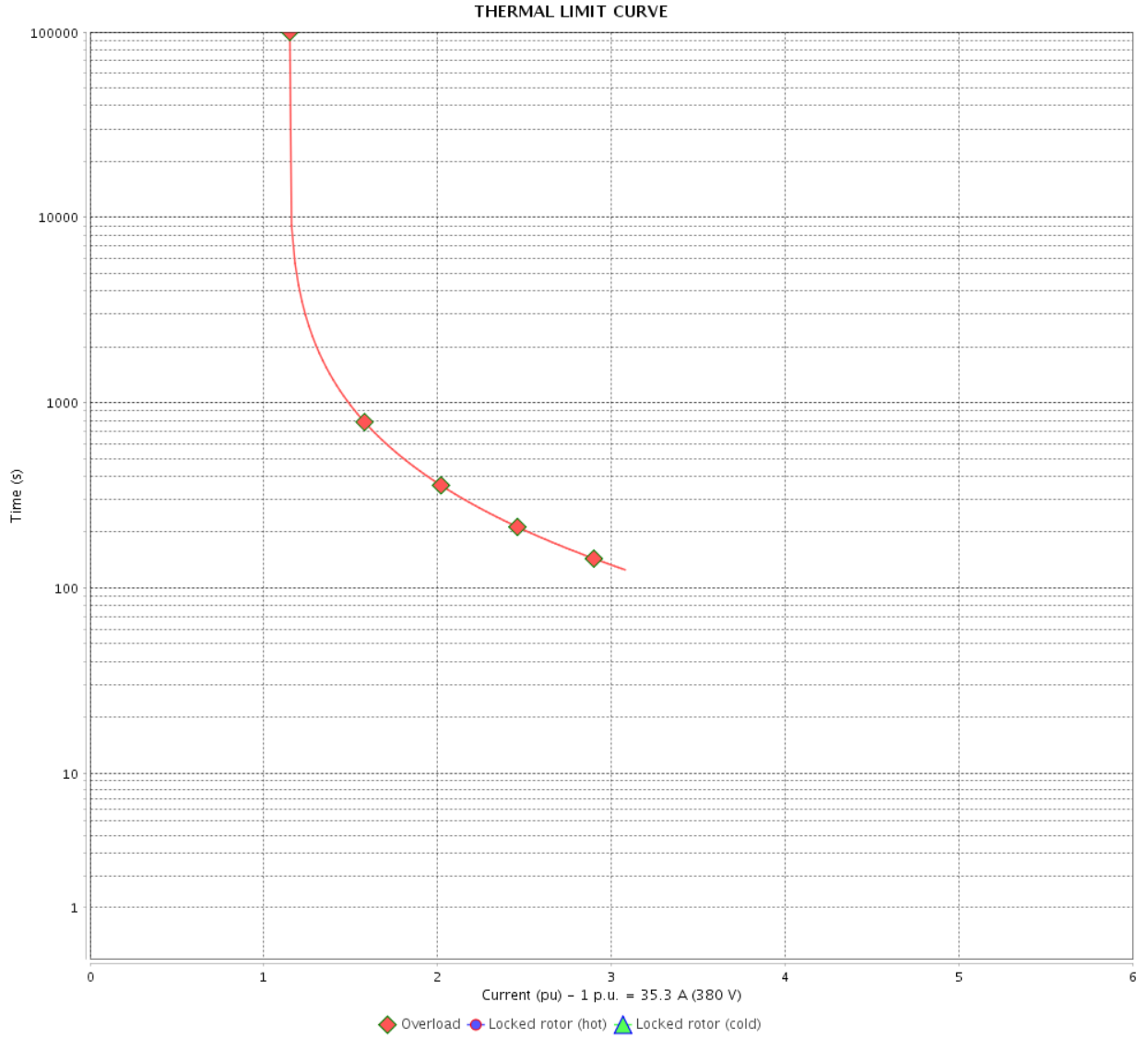
Rev.	Changes Summary	Performed	Checked	Date
Performed by				
Checked by			Page	Revision
Date	14/04/2022		10 /	

THERMAL LIMIT CURVE

Three Phase Induction Motor - Squirrel Cage



Customer : _____



Rev.	Changes Summary	Performed	Checked	Date
Performed by		Page		Revision
Checked by		11 /		
Date		14/04/2022		

THERMAL LIMIT CURVE

Three Phase Induction Motor - Squirrel Cage



Customer :

Product line : JP Pump NEMA Premium
Efficiency Three-Phase

Product code : 12869081

Catalog # : 02536OT3E256JP-S

Performance : 220/415 V 50 Hz 2P

Rated current : 64.1/34.0 A
LRC : 5.9
Rated torque : 45.1 ft.lb
Locked rotor torque : 170 %
Breakdown torque : 240 %
Rated speed : 2910 rpm

Moment of inertia (J) : 0.9155 sq.ft.lb
Duty cycle : Cont.(S1)
Insulation class : F
Service factor : 1.15
Temperature rise : 80 K
Design : B

Heating constant

Cooling constant

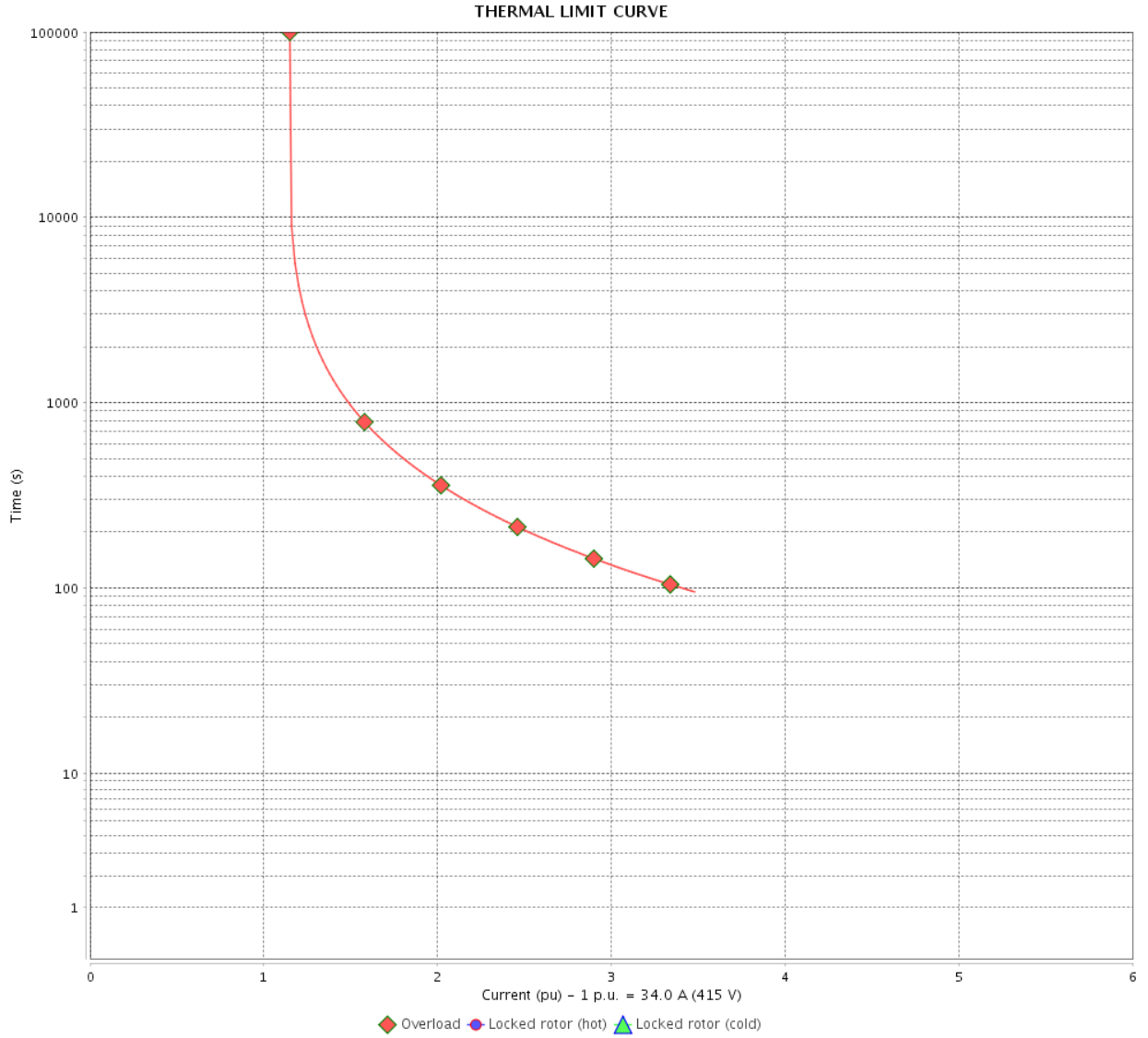
Rev.	Changes Summary	Performed	Checked	Date
Performed by				
Checked by			Page	Revision
Date	14/04/2022		12 /	

THERMAL LIMIT CURVE

Three Phase Induction Motor - Squirrel Cage



Customer : _____



Rev.	Changes Summary	Performed	Checked	Date
Performed by		Page		Revision
Checked by		13 /		
Date		14/04/2022		

VFD OPERATION CURVE

Three Phase Induction Motor - Squirrel Cage

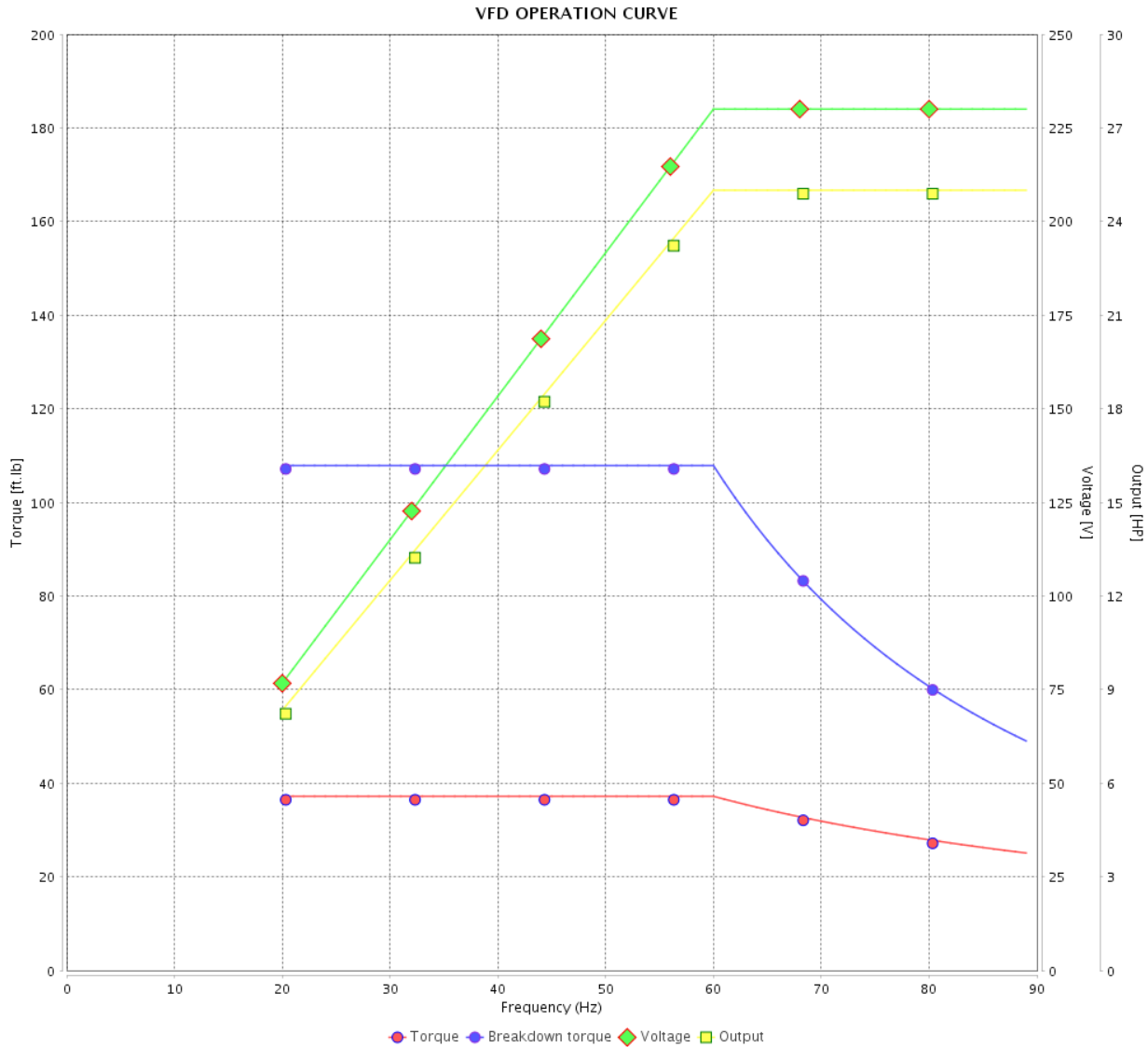


Customer :

Product line : JP Pump NEMA Premium Efficiency Three-Phase

Product code : 12869081

Catalog # : 02536OT3E256JP-S



Performance : 230/460 V 60 Hz 2P

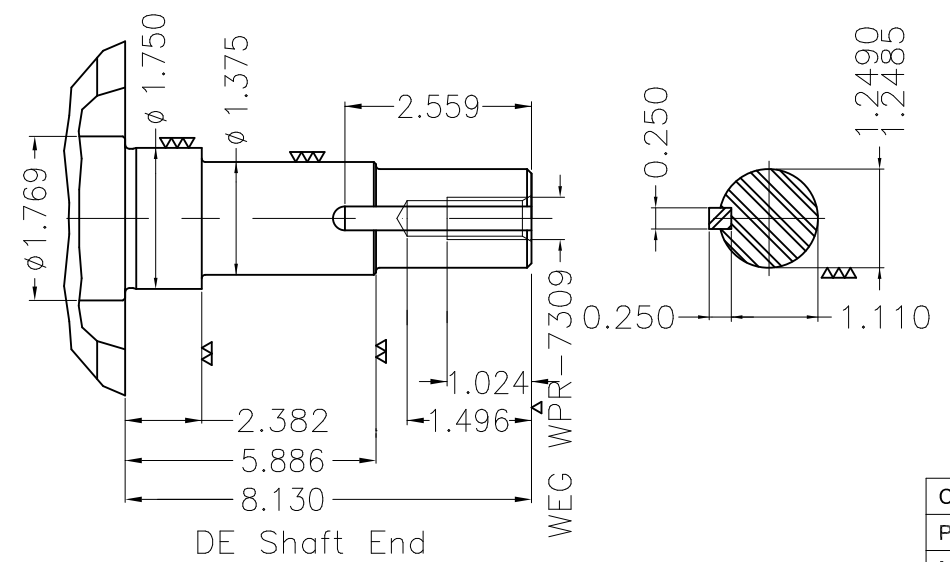
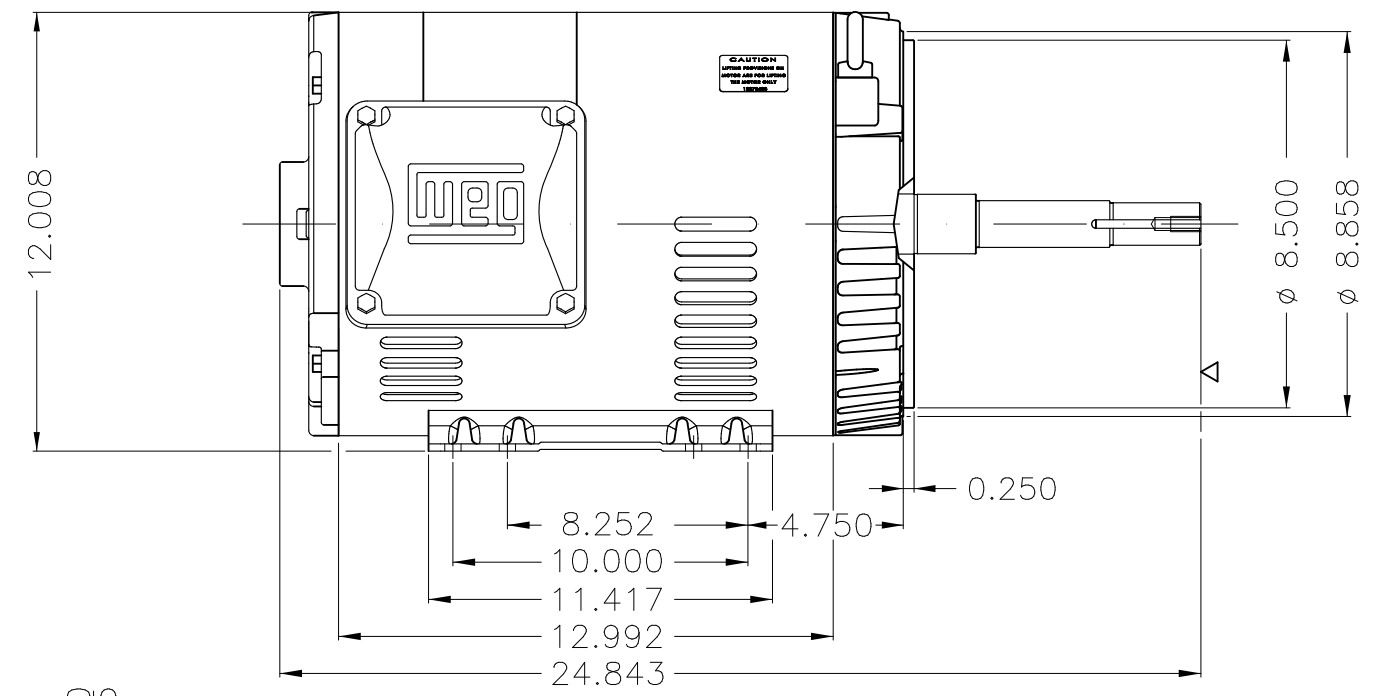
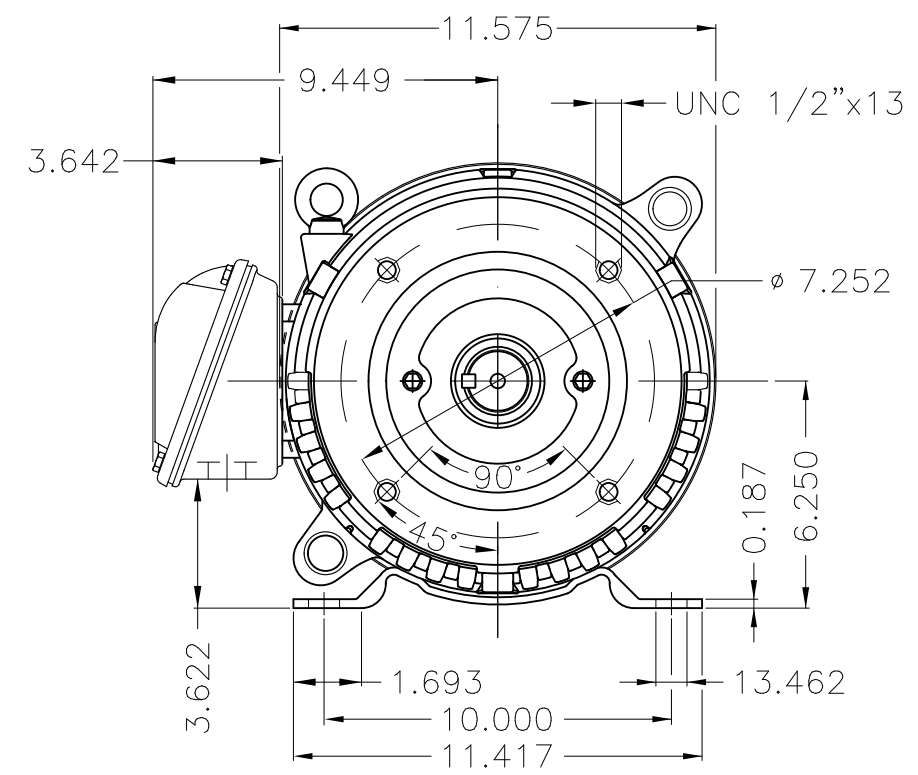
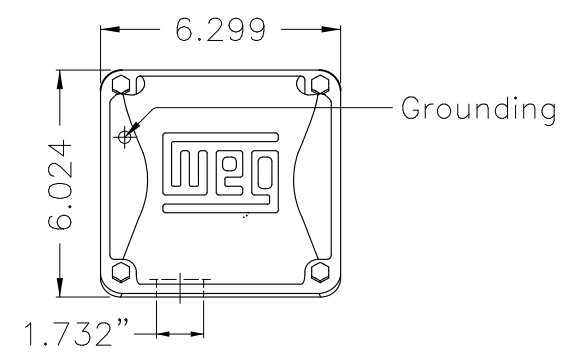
Rated current : 58.2/29.1 A
 LRC : 6.3
 Rated torque : 37.2 ft.lb
 Locked rotor torque : 180 %
 Breakdown torque : 290 %
 Rated speed : 3530 rpm

Moment of inertia (J) : 0.9155 sq.ft.lb
 Duty cycle : Cont.(S1)
 Insulation class : F
 Service factor : 1.15
 Temperature rise : 80 K
 Design : B

Rev.	Changes Summary	Performed	Checked	Date
Performed by			Page 14 /	Revision
Checked by				
Date	14/04/2022			

1 2 3 4 5 6

A
B
C
D
E



EUNC 1/2"-13 WEG WPR-7309

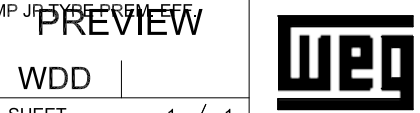
DE Shaft End

Color Munsell N 1 matte black									
Painting plan 207N									
Mounting F-1/B34R(D)									
ECM	LOC	SUMMARY OF MODIFICATIONS			EXECUTED	CHECKED	RELEASED	DATE	VER
EXECUTED	PIRBUSER	THREE PH. MOTOR ROLLED STEEL CLOSE COUPLED PUMP JP 3/4" DE PREMETS							
CHECKED		FRAME 254/6JP IP21 ODP							
RELEASED									
REL DT.		WMO	Jaragua do Sul	Product Engineering					

25 HP 02 Poles 60 Hz

WEG's property. Forbidden reproduction without previous authorization.

Dimensions in inches XME A3



**NEMA**
Premium

3PT9



Energy Verified

MADE IN MEXICO

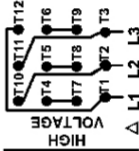
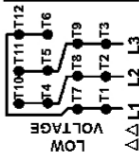
MAT: 12869081 CC029A**W01.T00IC0X0N****MODEL 025360T3E256JP-S****06DEC2021 S/N:**

PH 3	Hz 60	HP 25
FR 254/6JP		KW 18.5
DUTY CONT.		V 230/460
ALT 1000 m.a.s.l.		A 58.2/29.1
INS CL F AT 80K		SFA 66.9/33.5
AMB 40°C	DES B	SF 1.15
ENCL ODP	CODE G	PF 0.87
USABLE @ 208V 64.4A		RPM 3530
SF1.00		NEMA NOM. EFF 91.7%

ALTERNATE RATING: 25HP 50Hz 190-220/380-415V SF1.15
70.6-62.3/35.3-33.0A 2905RPM EFF 88.5% IEC 60034-1

Inverter duty motor For 80Hz use on VPWM 1000:1 VT, 3:1 CT

DE 6309-Z-C3	ODE 6208-Z-C3	MOBIL POLYREX EM	20000h
---------------------	----------------------	-------------------------	---------------



T1-BLU T2-WHT
T3-ORG T4-YEL
T5-BLK T6-GRY
T7-PNK T8-RED
T9-BRK RED
T10-CURRY
T11-GRN T12-VLT

INTERCHANGE ANY TWO LINE WIRES TO REVERSE THE ROTATION



WARNING: Motor must be grounded in accordance with local and national electrical codes to prevent serious electrical shocks. Disconnect power source before servicing unit.



AVERTISSEMENT: Le moteur doit être mis à la terre

conformément aux codes électriques locaux et nationaux afin d'éviter tout choc électrique grave. Déconnectez l'alimentation avant l'entretien de la machine.

