

DATA SHEET



Three Phase Induction Motor - Squirrel Cage

Customer :				
Product line	: NEMA Premium Efficiency Three-Phase	Product code :	12735316	
		Catalog # :	02536OT3E256T-SG	
Frame	: 254/6T	Cooling method	: IC01 - ODP	
Insulation class	: F	Mounting	: F-1	
Duty cycle	: Cont.(S1)	Rotation ¹	: Both (CW and CCW)	
Ambient temperature	: -20°C to +40°C	Starting method	: Direct On Line	
Altitude	: 1000 m.a.s.l.	Approx. weight ²	: 181 lb	
Design	: B	Moment of inertia (J)	: 0.9155 sq.ft.lb	
Output [HP]	25	25	25	
Poles	2	2	2	
Frequency [Hz]	60	50	50	
Rated voltage [V]	230/460	190/380	220/415	
Rated current [A]	58.2/29.1	70.6/35.3	64.1/34.0	
L. R. Amperes [A]	367/183	374/187	378/201	
LRC [A]	6.3x(Code G)	5.3x(Code E)	5.9x(Code F)	
No load current [A]	22.8/11.4	22.3/11.2	24.0/12.7	
Rated speed [RPM]	3530	2905	2910	
Slip [%]	1.94	3.17	3.00	
Rated torque [ft.lb]	37.2	45.2	45.1	
Locked rotor torque [%]	180	150	170	
Breakdown torque [%]	290	220	240	
Service factor	1.15	1.15	1.15	
Temperature rise	80 K	80 K	80 K	
Locked rotor time	16s (cold) 9s (hot)	0s (cold) 0s (hot)	0s (cold) 0s (hot)	
Noise level ²	70.0 dB(A)	68.0 dB(A)	68.0 dB(A)	
Efficiency (%)	25%	90.8	91.9	
	50%	91.0	90.9	
	75%	91.7	90.6	
	100%	91.7	89.3	
Power Factor	25%	0.46	0.48	
	50%	0.73	0.75	
	75%	0.83	0.85	
	100%	0.87	0.88	
Bearing type	: <u>Drive end</u> 6309 Z C3 <u>Non drive end</u> 6208 Z C3	Foundation loads		
Sealing	: Without Without Bearing Seal Bearing Seal	Max. traction	: 429 lb	
Lubrication interval	: 20000 h 20000 h	Max. compression	: 610 lb	
Lubricant amount	: 13 g 8 g			
Lubricant type	: Mobil Polyrex EM			
Notes USABLE @208V 64.3A SF 1.00 SFA 64.3A				
This revision replaces and cancel the previous one, which must be eliminated. (1) Looking the motor from the shaft end. (2) Measured at 1m and with tolerance of +3dB(A). (3) Approximate weight subject to changes after manufacturing process. (4) At 100% of full load.		These are average values based on tests with sinusoidal power supply, subject to the tolerances stipulated in NEMA MG-1.		
Rev.	Changes Summary	Performed	Checked	Date
Performed by				
Checked by			Page	Revision
Date	14/04/2022		1 /	

TORQUE AND CURRENT VS SPEED CURVE

Three Phase Induction Motor - Squirrel Cage



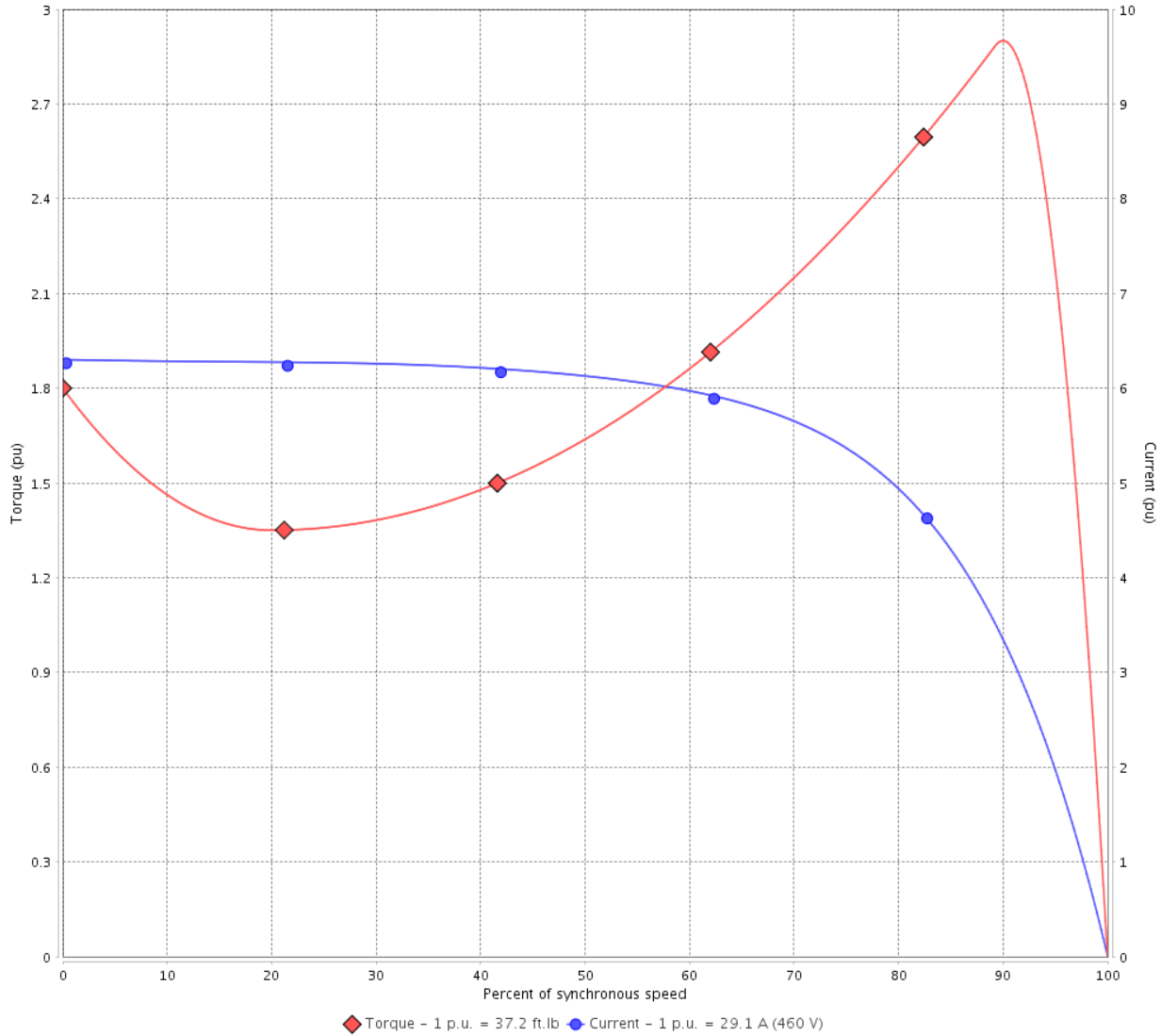
Customer :

Product line : NEMA Premium Efficiency Three-Phase

Product code : 12735316

Catalog # : 025360T3E256T-SG

TORQUE AND CURRENT VS SPEED CURVE



Performance : 230/460 V 60 Hz 2P

Rated current	: 58.2/29.1 A	Moment of inertia (J)	: 0.9155 sq.ft.lb
LRC	: 6.3	Duty cycle	: Cont.(S1)
Rated torque	: 37.2 ft.lb	Insulation class	: F
Locked rotor torque	: 180 %	Service factor	: 1.15
Breakdown torque	: 290 %	Temperature rise	: 80 K
Rated speed	: 3530 rpm	Design	: B

Locked rotor time : 16s (cold) 9s (hot)

Rev.	Changes Summary	Performed	Checked	Date
Performed by			Page 2 /	Revision
Checked by				
Date	14/04/2022			

TORQUE AND CURRENT VS SPEED CURVE



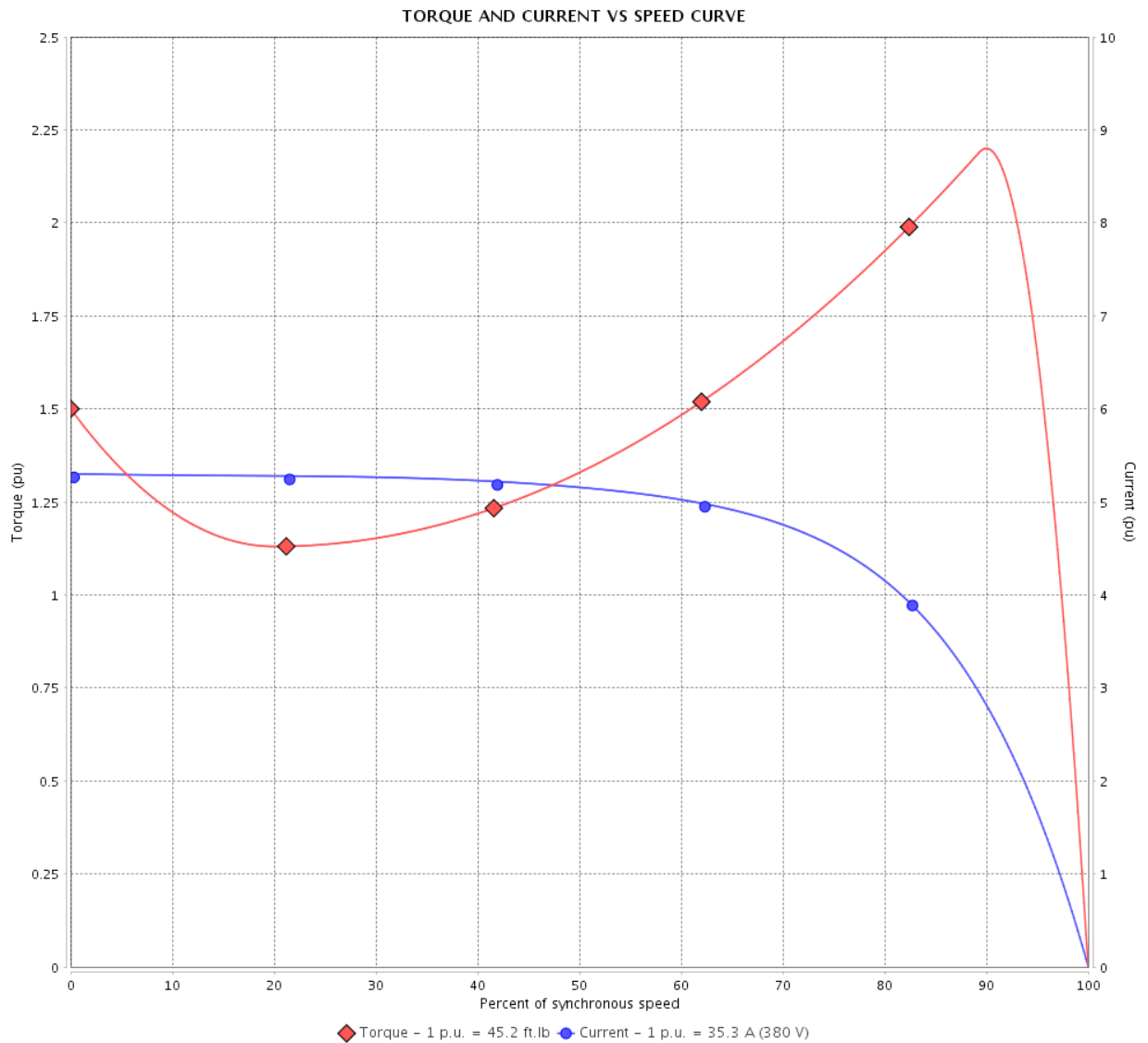
Three Phase Induction Motor - Squirrel Cage

Customer :

Product line : NEMA Premium Efficiency Three-Phase

Product code : 12735316

Catalog # : 02536OT3E256T-SG



Performance : 190/380 V 50 Hz 2P

Rated current : 70.6/35.3 A
 LRC : 5.3
 Rated torque : 45.2 ft.lb
 Locked rotor torque : 150 %
 Breakdown torque : 220 %
 Rated speed : 2905 rpm

Moment of inertia (J) : 0.9155 sq.ft.lb
 Duty cycle : Cont.(S1)
 Insulation class : F
 Service factor : 1.15
 Temperature rise : 80 K
 Design : B

Locked rotor time : 0s (cold) 0s (hot)

Rev.	Changes Summary	Performed	Checked	Date
Performed by			Page 3 /	Revision
Checked by				
Date	14/04/2022			

TORQUE AND CURRENT VS SPEED CURVE

Three Phase Induction Motor - Squirrel Cage



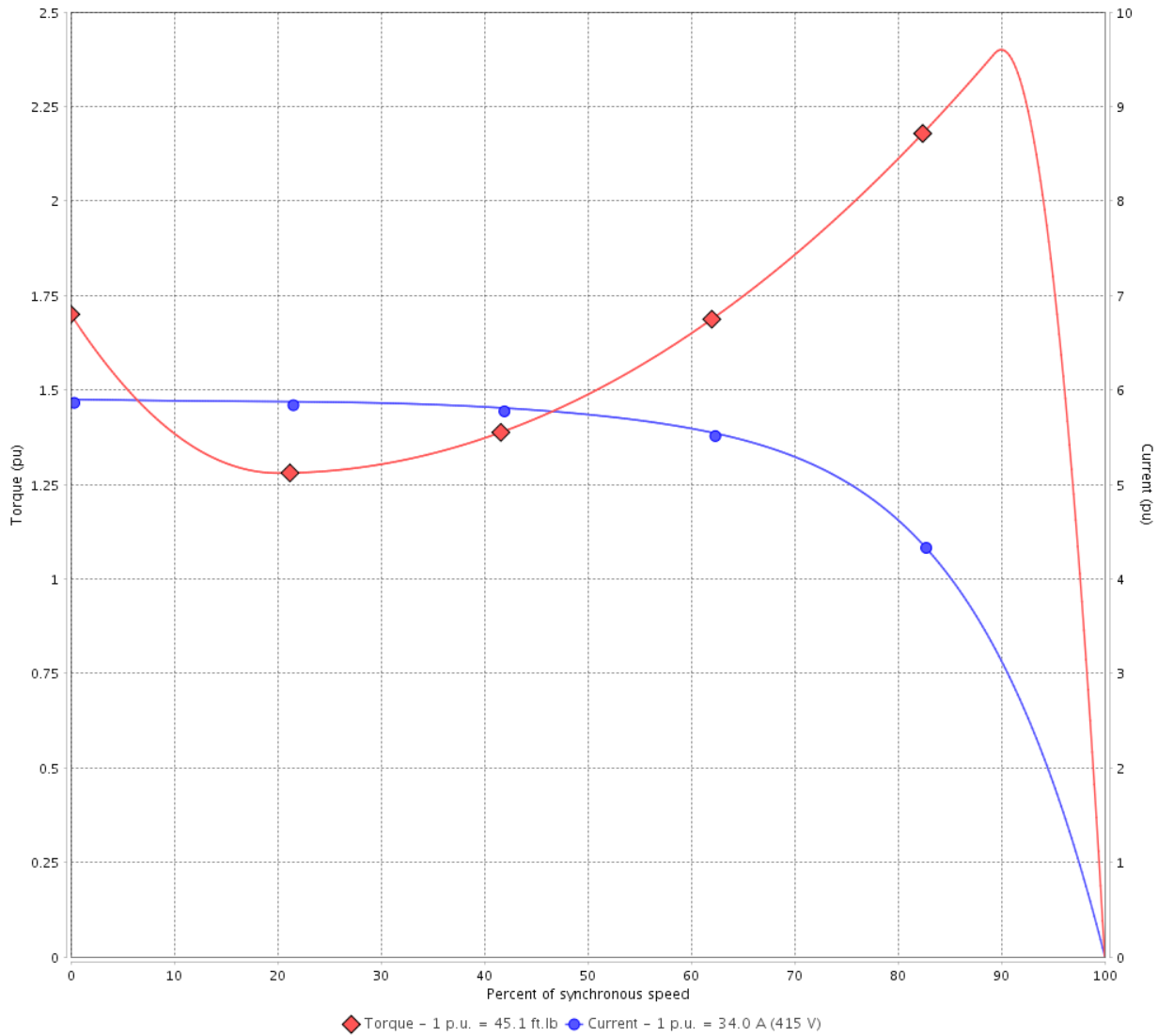
Customer :

Product line : NEMA Premium Efficiency Three-Phase

Product code : 12735316

Catalog # : 025360T3E256T-SG

TORQUE AND CURRENT VS SPEED CURVE



Performance : 220/415 V 50 Hz 2P

Rated current : 64.1/34.0 A
 LRC : 5.9
 Rated torque : 45.1 ft.lb
 Locked rotor torque : 170 %
 Breakdown torque : 240 %
 Rated speed : 2910 rpm

Moment of inertia (J) : 0.9155 sq.ft.lb
 Duty cycle : Cont.(S1)
 Insulation class : F
 Service factor : 1.15
 Temperature rise : 80 K
 Design : B

Locked rotor time : 0s (cold) 0s (hot)

Rev.	Changes Summary	Performed	Checked	Date
Performed by			Page 4 /	Revision
Checked by				
Date	14/04/2022			

LOAD PERFORMANCE CURVE

Three Phase Induction Motor - Squirrel Cage

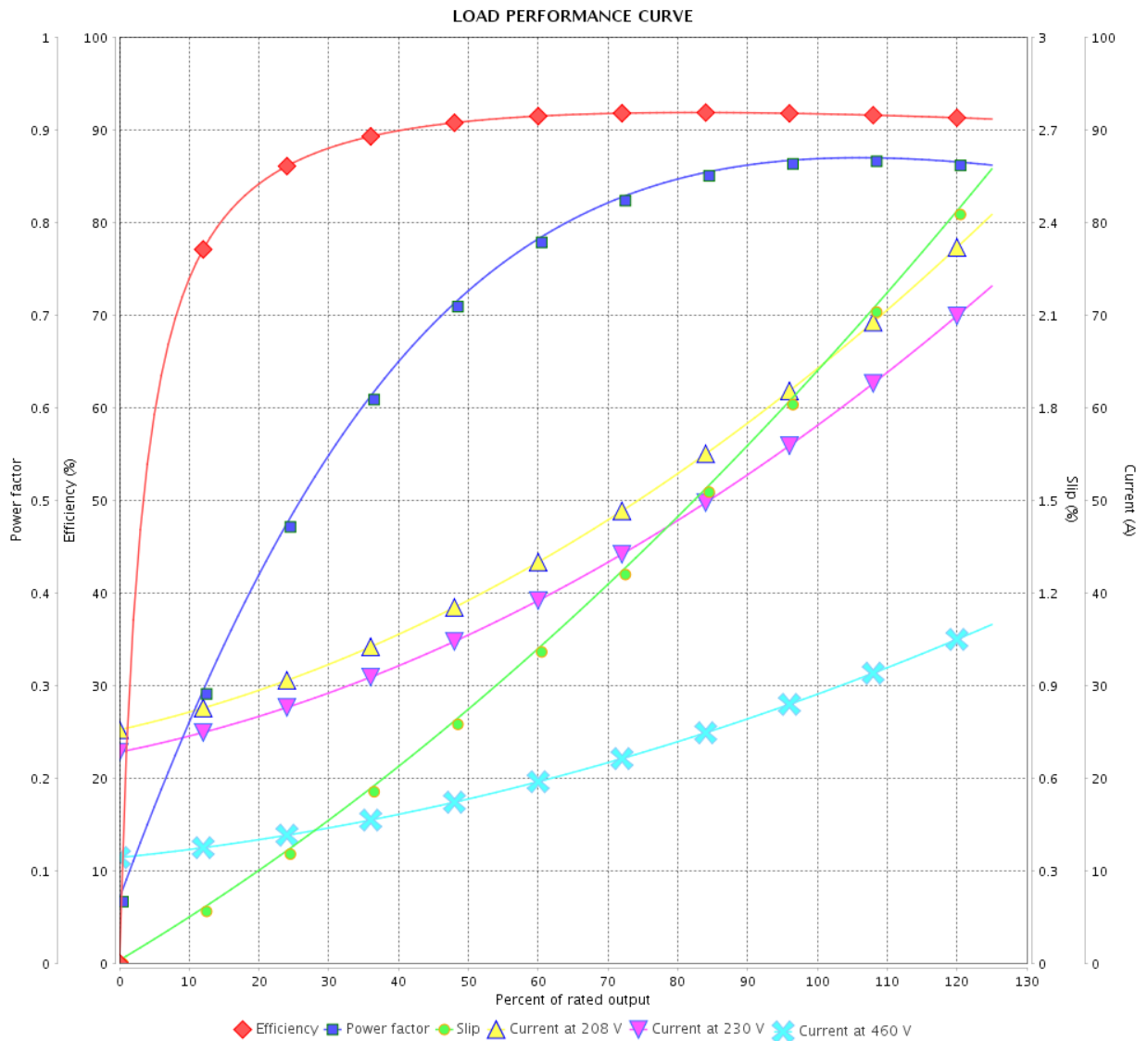


Customer : _____

Product line : NEMA Premium Efficiency Three-Phase

Product code : 12735316

Catalog # : 02536OT3E256T-SG



Performance : 230/460 V 60 Hz 2P

Rated current : 58.2/29.1 A
 LRC : 6.3
 Rated torque : 37.2 ft.lb
 Locked rotor torque : 180 %
 Breakdown torque : 290 %
 Rated speed : 3530 rpm

Moment of inertia (J) : 0.9155 sq.ft.lb
 Duty cycle : Cont.(S1)
 Insulation class : F
 Service factor : 1.15
 Temperature rise : 80 K
 Design : B

Rev.	Changes Summary	Performed	Checked	Date
Performed by		Page		Revision
Checked by		5 /		
Date		14/04/2022		

LOAD PERFORMANCE CURVE

Three Phase Induction Motor - Squirrel Cage



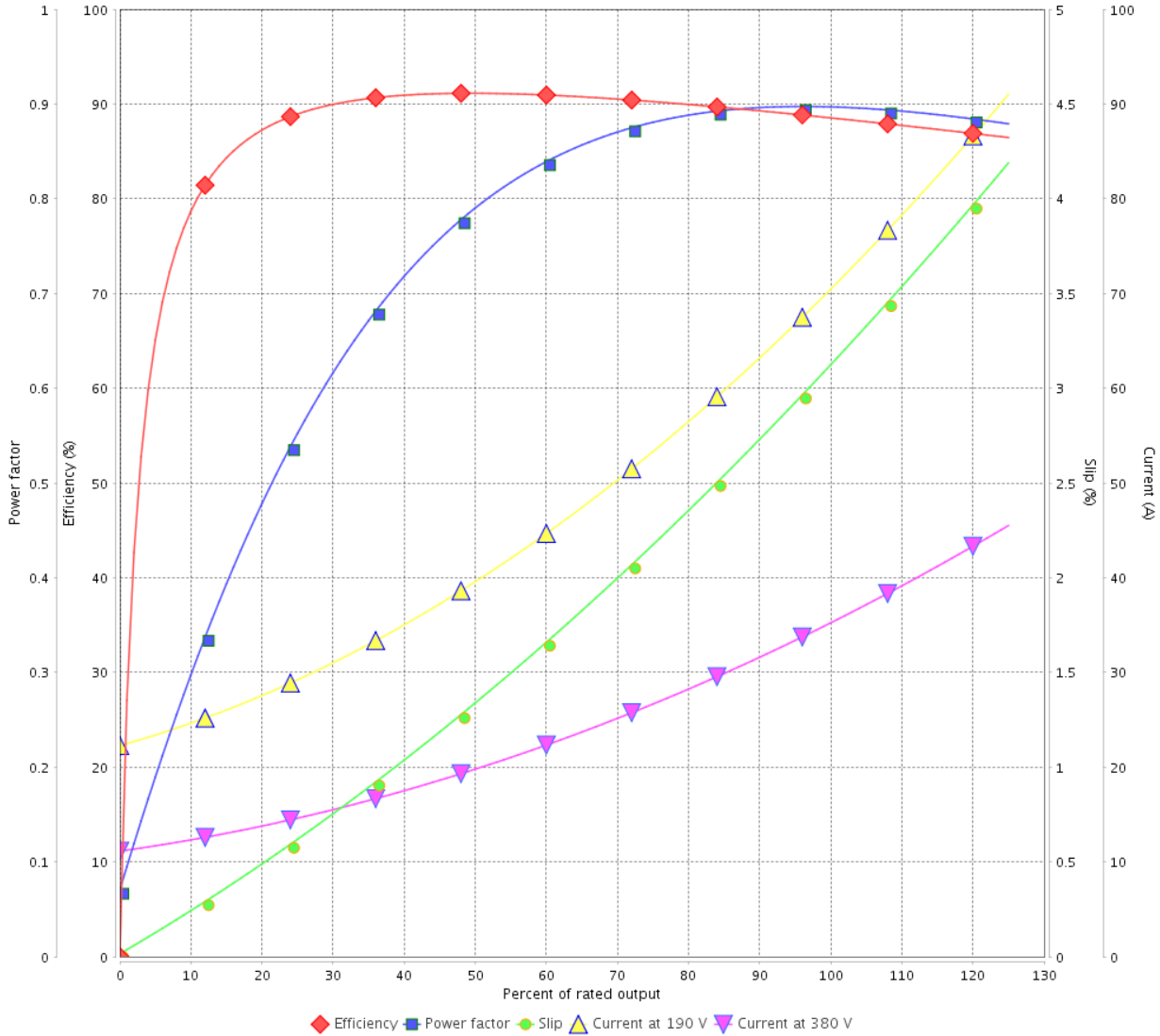
Customer :

Product line : NEMA Premium Efficiency Three-Phase

Product code : 12735316

Catalog # : 025360T3E256T-SG

LOAD PERFORMANCE CURVE



Performance : 190/380 V 50 Hz 2P

Rated current : 70.6/35.3 A
 LRC : 5.3
 Rated torque : 45.2 ft.lb
 Locked rotor torque : 150 %
 Breakdown torque : 220 %
 Rated speed : 2905 rpm

Moment of inertia (J) : 0.9155 sq.ft.lb
 Duty cycle : Cont.(S1)
 Insulation class : F
 Service factor : 1.15
 Temperature rise : 80 K
 Design : B

Rev.	Changes Summary	Performed	Checked	Date
Performed by			Page	Revision
Checked by				
Date				
			6 /	

LOAD PERFORMANCE CURVE

Three Phase Induction Motor - Squirrel Cage

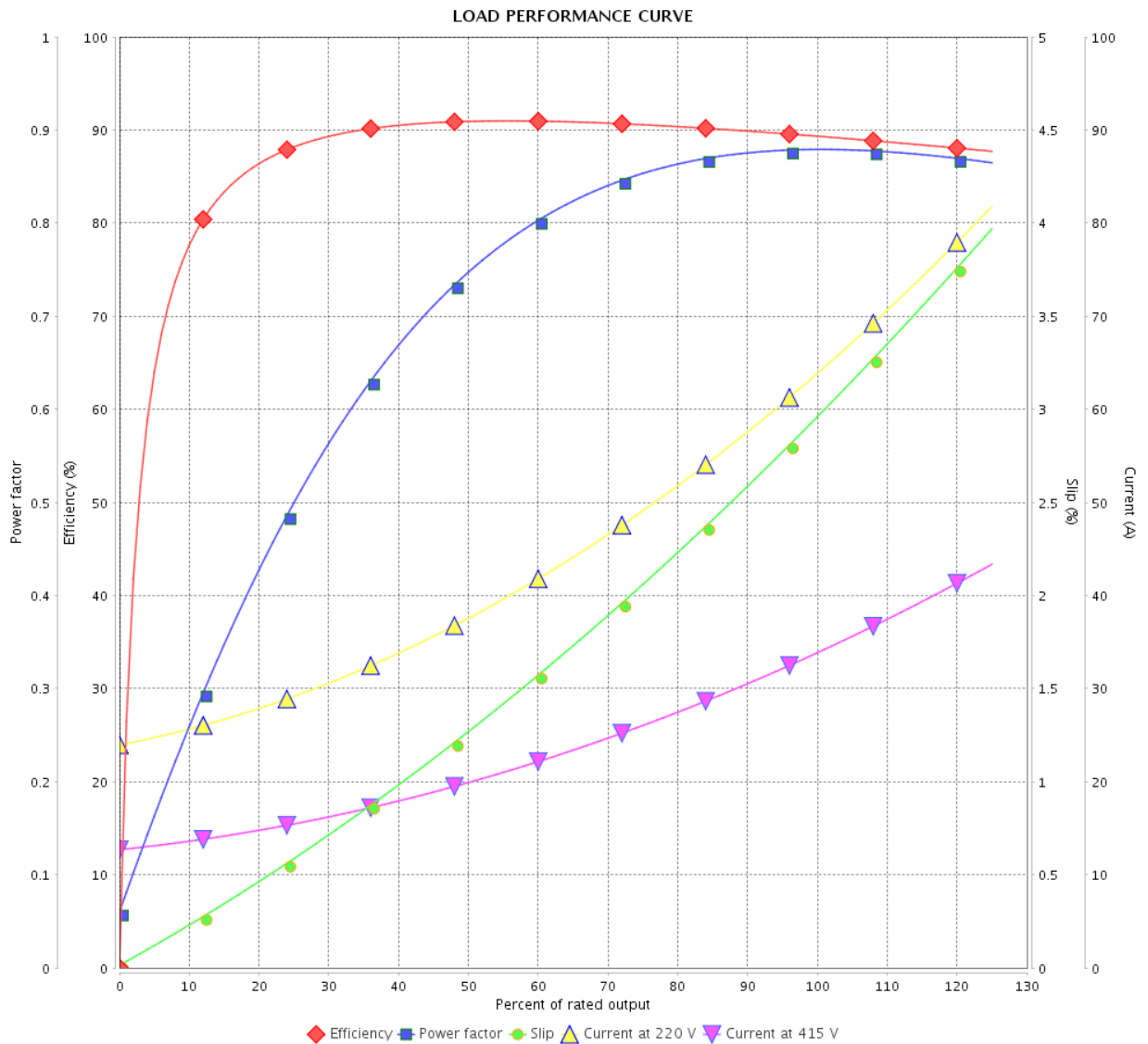


Customer : _____

Product line : NEMA Premium Efficiency Three-Phase

Product code : 12735316

Catalog # : 02536OT3E256T-SG



Performance : 220/415 V 50 Hz 2P

Rated current : 64.1/34.0 A
 LRC : 5.9
 Rated torque : 45.1 ft.lb
 Locked rotor torque : 170 %
 Breakdown torque : 240 %
 Rated speed : 2910 rpm

Moment of inertia (J) : 0.9155 sq.ft.lb
 Duty cycle : Cont.(S1)
 Insulation class : F
 Service factor : 1.15
 Temperature rise : 80 K
 Design : B

Rev.	Changes Summary	Performed	Checked	Date
Performed by			Page	Revision
Checked by			7 /	
Date	14/04/2022			

THERMAL LIMIT CURVE

Three Phase Induction Motor - Squirrel Cage



Customer :

Product line : NEMA Premium Efficiency Three-Phase
Product code : 12735316
Catalog # : 02536OT3E256T-SG

Performance : 230/460 V 60 Hz 2P

Rated current	: 58.2/29.1 A	Moment of inertia (J)	: 0.9155 sq.ft.lb
LRC	: 6.3	Duty cycle	: Cont.(S1)
Rated torque	: 37.2 ft.lb	Insulation class	: F
Locked rotor torque	: 180 %	Service factor	: 1.15
Breakdown torque	: 290 %	Temperature rise	: 80 K
Rated speed	: 3530 rpm	Design	: B

Heating constant

Cooling constant

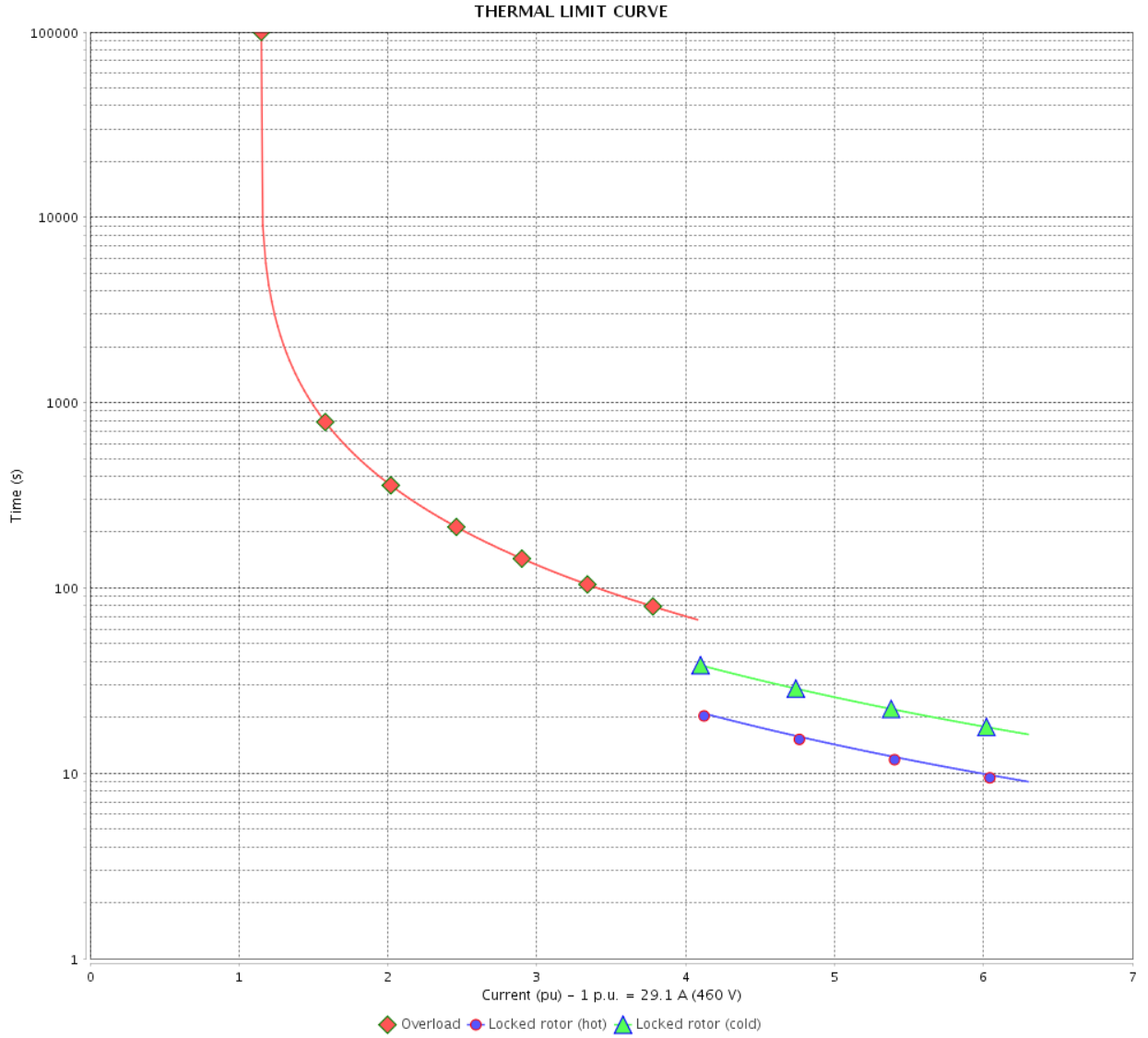
Rev.	Changes Summary	Performed	Checked	Date
Performed by				
Checked by			Page	Revision
Date	14/04/2022		8 /	

THERMAL LIMIT CURVE

Three Phase Induction Motor - Squirrel Cage



Customer : _____



Rev.	Changes Summary	Performed	Checked	Date
Performed by		Page		Revision
Checked by				
Date				

THERMAL LIMIT CURVE



Three Phase Induction Motor - Squirrel Cage

Customer :

Product line : NEMA Premium Efficiency Three-Phase
Product code : 12735316
Catalog # : 02536OT3E256T-SG

Performance : 190/380 V 50 Hz 2P

Rated current	: 70.6/35.3 A	Moment of inertia (J)	: 0.9155 sq.ft.lb
LRC	: 5.3	Duty cycle	: Cont.(S1)
Rated torque	: 45.2 ft.lb	Insulation class	: F
Locked rotor torque	: 150 %	Service factor	: 1.15
Breakdown torque	: 220 %	Temperature rise	: 80 K
Rated speed	: 2905 rpm	Design	: B

Heating constant

Cooling constant

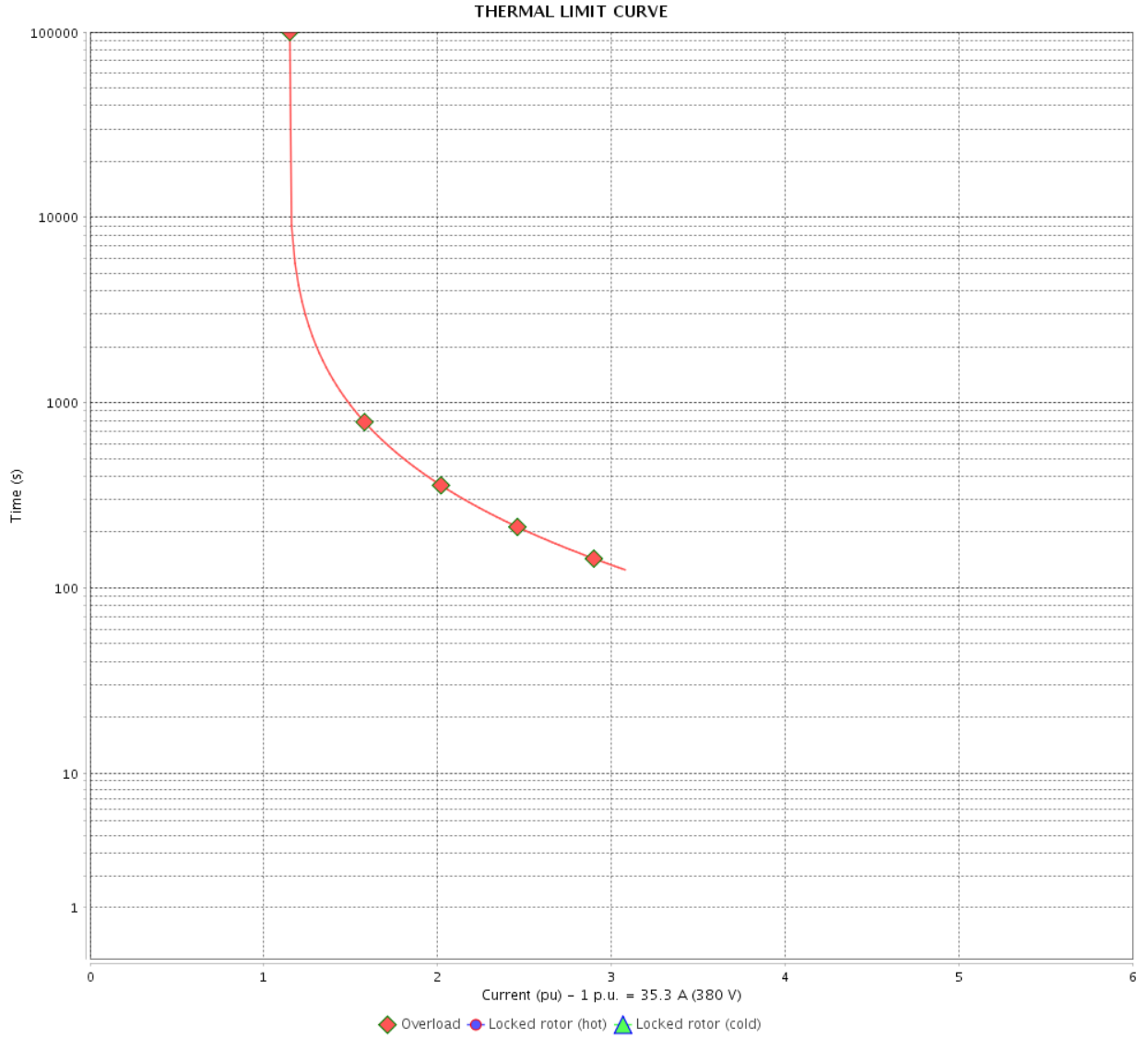
Rev.	Changes Summary	Performed	Checked	Date
Performed by				
Checked by			Page	Revision
Date	14/04/2022		10 /	

THERMAL LIMIT CURVE

Three Phase Induction Motor - Squirrel Cage



Customer : _____



Rev.	Changes Summary	Performed	Checked	Date
Performed by		Page		Revision
Checked by		11 /		
Date		14/04/2022		

THERMAL LIMIT CURVE



Three Phase Induction Motor - Squirrel Cage

Customer :

Product line : NEMA Premium Efficiency Three-Phase
Product code : 12735316
Catalog # : 02536OT3E256T-SG

Performance : 220/415 V 50 Hz 2P

Rated current	: 64.1/34.0 A	Moment of inertia (J)	: 0.9155 sq.ft.lb
LRC	: 5.9	Duty cycle	: Cont.(S1)
Rated torque	: 45.1 ft.lb	Insulation class	: F
Locked rotor torque	: 170 %	Service factor	: 1.15
Breakdown torque	: 240 %	Temperature rise	: 80 K
Rated speed	: 2910 rpm	Design	: B

Heating constant

Cooling constant

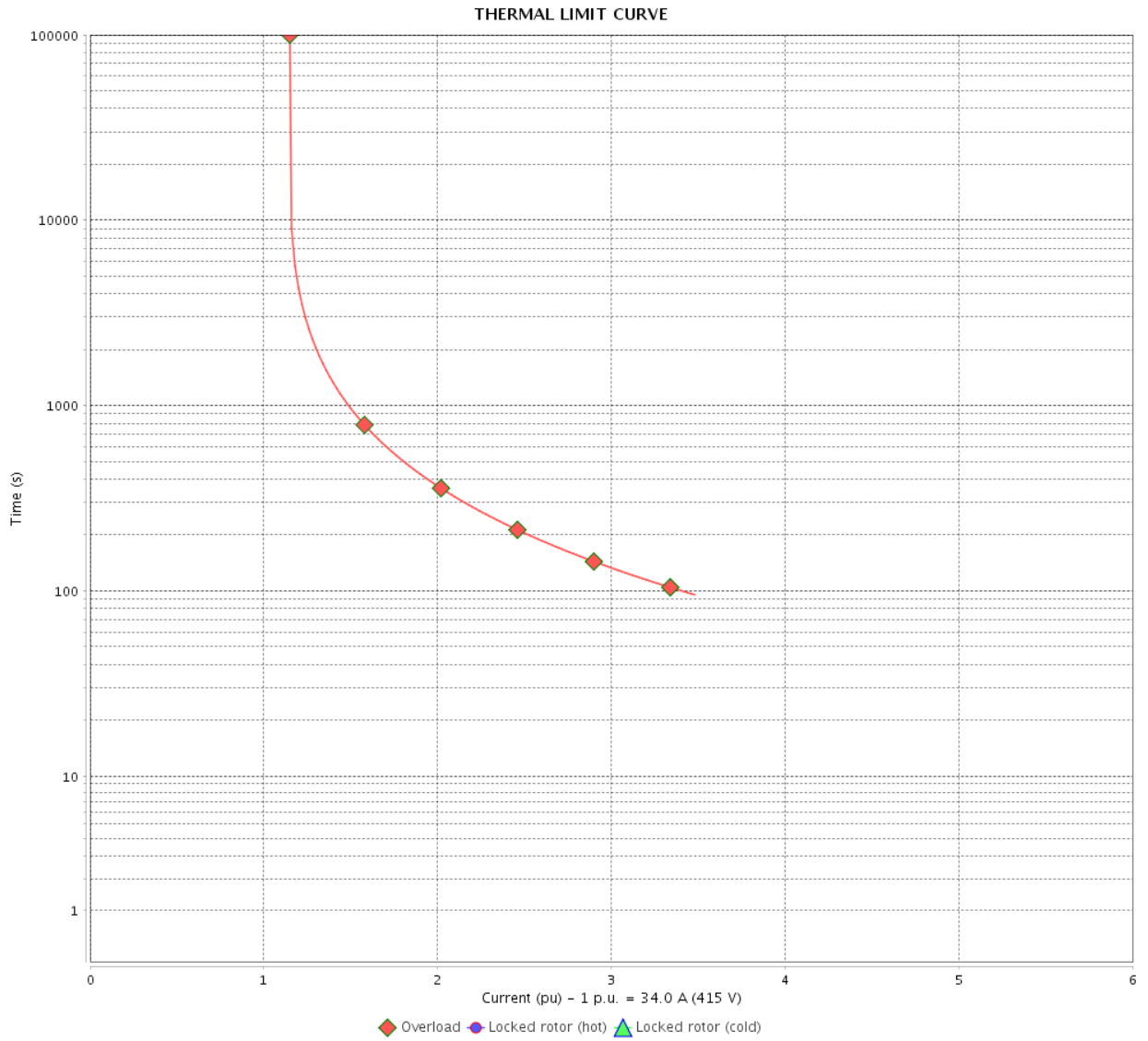
Rev.	Changes Summary	Performed	Checked	Date
Performed by				
Checked by			Page	Revision
Date	14/04/2022		12 /	

THERMAL LIMIT CURVE

Three Phase Induction Motor - Squirrel Cage



Customer : _____



Rev.	Changes Summary	Performed	Checked	Date
Performed by		Page		Revision
Checked by		13 /		
Date		14/04/2022		

VFD OPERATION CURVE

Three Phase Induction Motor - Squirrel Cage



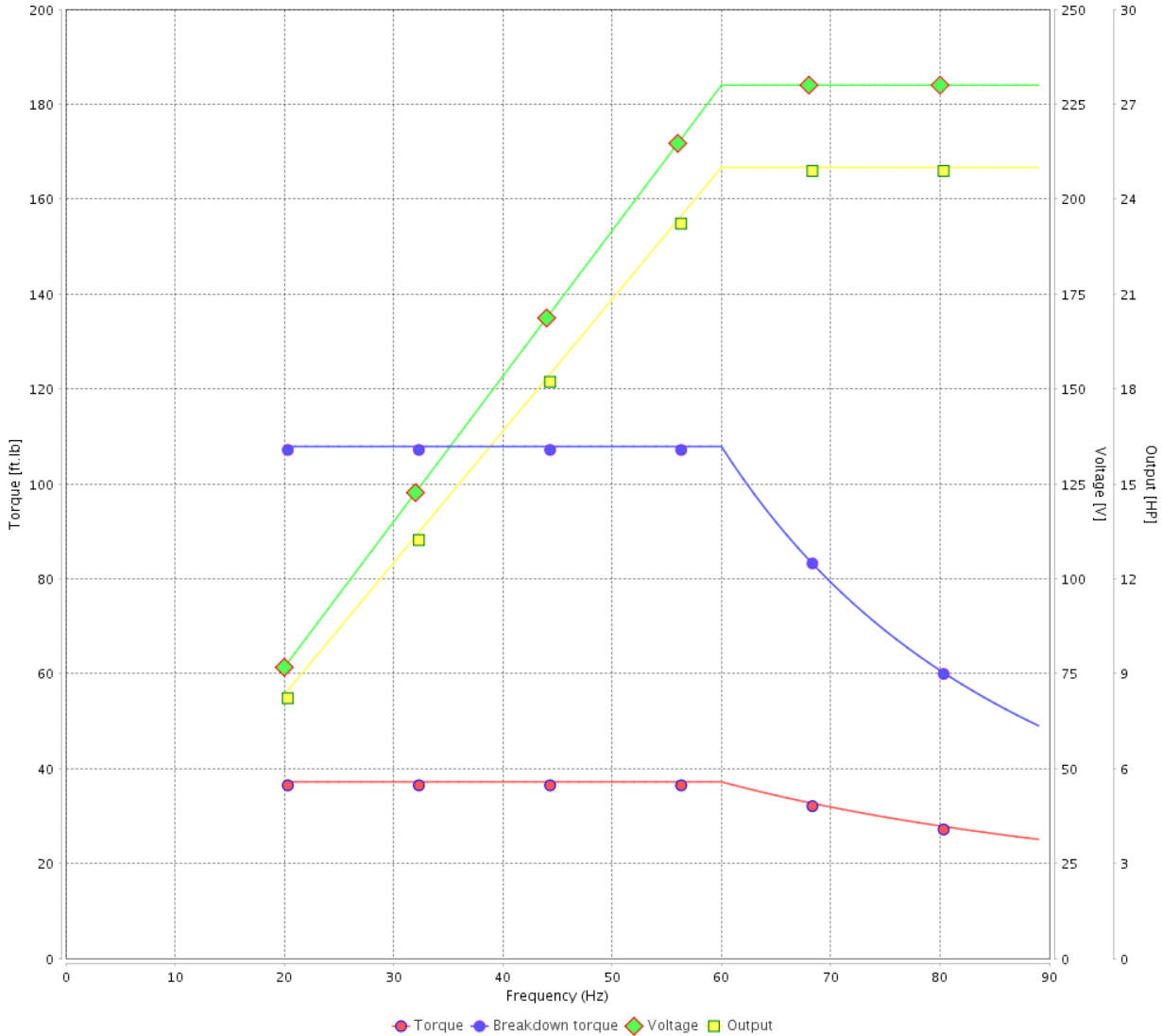
Customer : _____

Product line : NEMA Premium Efficiency Three-Phase

Product code : 12735316

Catalog # : 02536OT3E256T-SG

VFD OPERATION CURVE



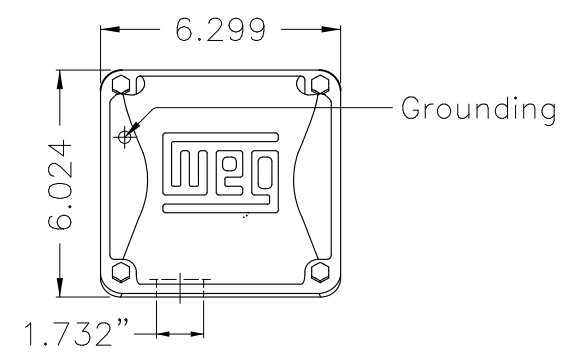
Performance : 230/460 V 60 Hz 2P

Rated current : 58.2/29.1 A
 LRC : 6.3
 Rated torque : 37.2 ft.lb
 Locked rotor torque : 180 %
 Breakdown torque : 290 %
 Rated speed : 3530 rpm

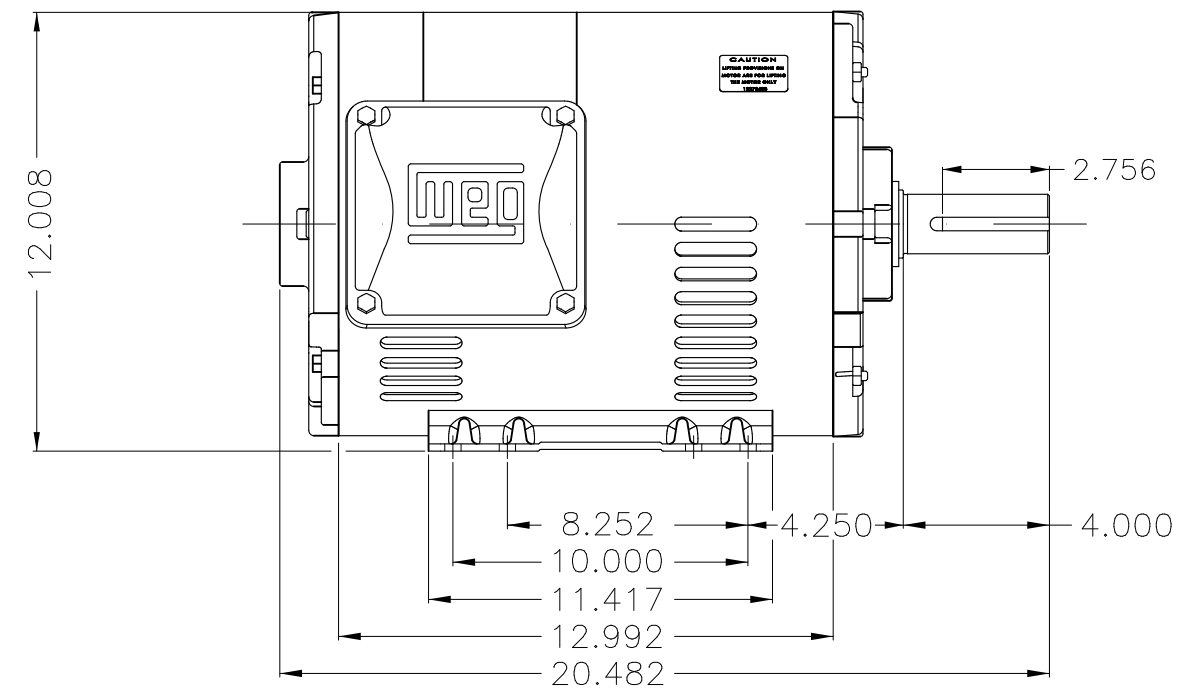
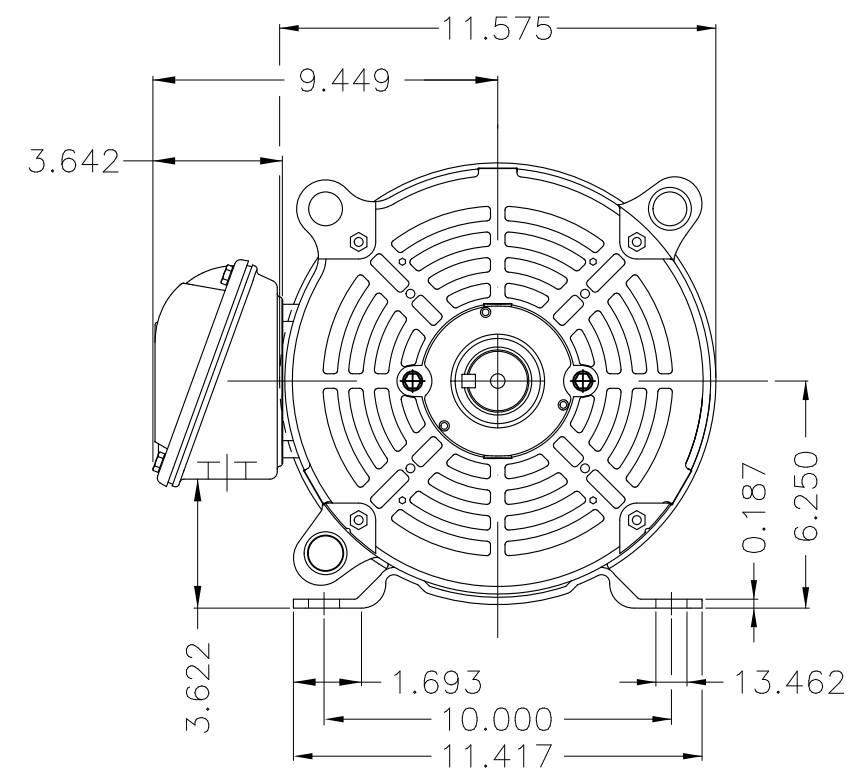
Moment of inertia (J) : 0.9155 sq.ft.lb
 Duty cycle : Cont.(S1)
 Insulation class : F
 Service factor : 1.15
 Temperature rise : 80 K
 Design : B

Rev.	Changes Summary	Performed	Checked	Date
Performed by			Page 14 /	Revision
Checked by				
Date	14/04/2022			

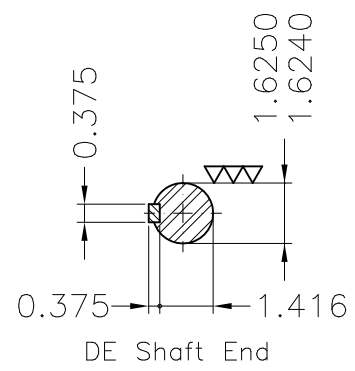
A



B



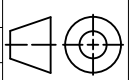
C



D

E

- Bearing cap
- Internal AEGIS ground ring on the DE
- Color Munsell N 1 matte black
- Painting plan 207N
- Mounting F-1/B3R(D)

ECM	LOC	SUMMARY OF MODIFICATIONS	EXECUTED	CHECKED	RELEASED	DATE	VER
EXECUTED	PIRWBUSER	 THREE PH. MOTOR ROLLED STEEL PREM. EFF. FRAME 254/6T IP21 ODP					
CHECKED							
RELEASED							
REL DT.	WMO	Jaragua do Sul	Product Engineering	SHEET		1 / 1	

25 HP 02 Poles 60 Hz

A

PREVIEW
WDD



**NEMA
Premium**

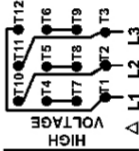
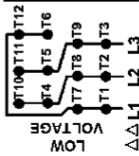
MADE IN MEXICO

MAT: 12735316 CC029A**W01.T00IC0X0N****MODEL 025360T3E256T-SG****15FEB2022 S/N:**

PH 3	Hz 60	HP 25
FR 254/6T		KW 18.5
DUTY CONT.		V 230/460
ALT 1000 m.a.s.l.		A 58.2/29.1
INS CL F AT 80K		SFA 66.9/33.5
AMB 40°C	DES B	SF 1.15
ENCL ODP	CODE G	PF 0.87
USABLE @ 208V 64.4A		RPM 3530
SF1.00		NEMA NOM. EFF 91.7%

ALTERNATE RATING: 25HP 50Hz 190-220/380-415V SF1.15**70.6-62.3/35.3-33.0A 2905RPM EFF 88.5% IEC 60034-1**

Inverter duty motor For 80Hz use on VPWM 1000:1 VT, 3:1 CT

DE 6309-Z-C3 ODE 6208-Z-C3 MOBIL POLYREX EM 20000h

T1-BLU T2-WHT
T3-ORG T4-YEL
T5-BLK T6-GRY
T7-PNK T8-RED
T9-BRK RED
T10-CURRY
T11-GRN T12-VLT

INTERCHANGE ANY TWO LINE WIRES TO REVERSE THE ROTATION

WARNING: Motor must be grounded in accordance with local and national electrical codes to prevent serious electrical shocks. Disconnect power source before servicing unit.

**AVERTISSEMENT:** Le moteur doit être mis à la terre

conformément aux codes électriques locaux et nationaux afin d'éviter tout choc électrique grave. Déconnectez l'alimentation avant l'entretien de la machine.

