

DATA SHEET



Three Phase Induction Motor - Squirrel Cage

Customer :					
Product line		: W40 JM Pump NEMA Premium Efficiency Three-Phase		Product code : 14484688	
			Catalog # :	02536OT3H256JM-W40	
Frame	: 254/6JM		Locked rotor time	: 19s (cold) 11s (hot)	
Output	: 25 HP (18.5 kW)		Temperature rise	: 80 K	
Poles	: 2		Duty cycle	: Cont.(S1)	
Frequency	: 60 Hz		Ambient temperature	: -20°C to +40°C	
Rated voltage	: 575 V		Altitude	: 1000 m.a.s.l.	
Rated current	: 23.0 A		Protection degree	: IP23	
L. R. Amperes	: 150 A		Cooling method	: IC01 - ODP	
LRC	: 6.5x(Code G)		Mounting	: F-1	
No load current	: 6.80 A		Rotation ¹	: Both (CW and CCW)	
Rated speed	: 3535 rpm		Starting method	: Direct On Line	
Slip	: 1.81 %		Approx. weight ³	: 263 lb	
Rated torque	: 37.1 ft.lb				
Locked rotor torque	: 200 %				
Breakdown torque	: 280 %				
Insulation class	: F				
Service factor	: 1.25				
Moment of inertia (J)	: 1.13 sq.ft.lb				
Design	: B				
Output	25%	50%	75%	100%	
Efficiency (%)	90.8	91.0	91.7	91.7	
Power Factor	0.53	0.77	0.85	0.88	
Foundation loads					
Max. traction					
Max. compression					
		<u>Drive end</u>	<u>Non drive end</u>		
Bearing type	:	6309 Z C3	6209 Z C3		
Sealing	:	Without Bearing Seal	Without Bearing Seal		
Lubrication interval	:	20000 h	20000 h		
Lubricant amount	:	13 g	9 g		
Lubricant type	:	Mobil Polyrex EM			
Notes					
This revision replaces and cancel the previous one, which must be eliminated. (1) Looking the motor from the shaft end. (2) Measured at 1m and with tolerance of +3dB(A). (3) Approximate weight subject to changes after manufacturing process. (4) At 100% of full load.			These are average values based on tests with sinusoidal power supply, subject to the tolerances stipulated in NEMA MG-1.		
Rev.	Changes Summary		Performed	Checked	Date
Performed by					
Checked by				Page	Revision
Date	14/04/2022			1 / 6	

TORQUE AND CURRENT VS SPEED CURVE

Three Phase Induction Motor - Squirrel Cage



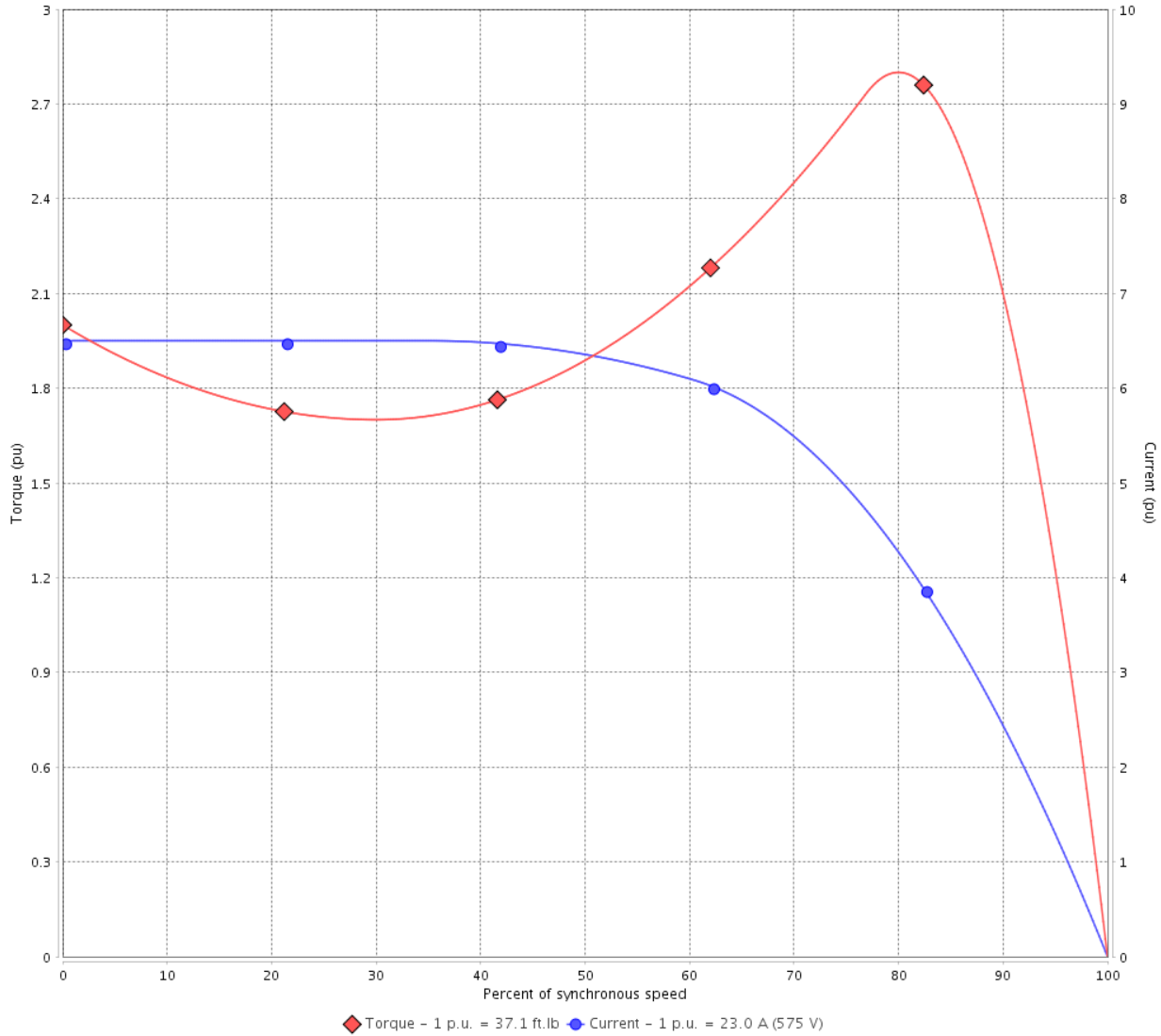
Customer :

Product line : W40 JM Pump NEMA Premium Efficiency Three-Phase

Product code : 14484688

Catalog # : 02536OT3H256JM-W40

TORQUE AND CURRENT VS SPEED CURVE



Performance : 575 V 60 Hz 2P

Rated current	: 23.0 A	Moment of inertia (J)	: 1.13 sq.ft.lb
LRC	: 6.5	Duty cycle	: Cont.(S1)
Rated torque	: 37.1 ft.lb	Insulation class	: F
Locked rotor torque	: 200 %	Service factor	: 1.25
Breakdown torque	: 280 %	Temperature rise	: 80 K
Rated speed	: 3535 rpm	Design	: B

Locked rotor time : 19s (cold) 11s (hot)

Rev.	Changes Summary	Performed	Checked	Date
Performed by			Page 2 / 6	Revision
Checked by				
Date	14/04/2022			

LOAD PERFORMANCE CURVE

Three Phase Induction Motor - Squirrel Cage

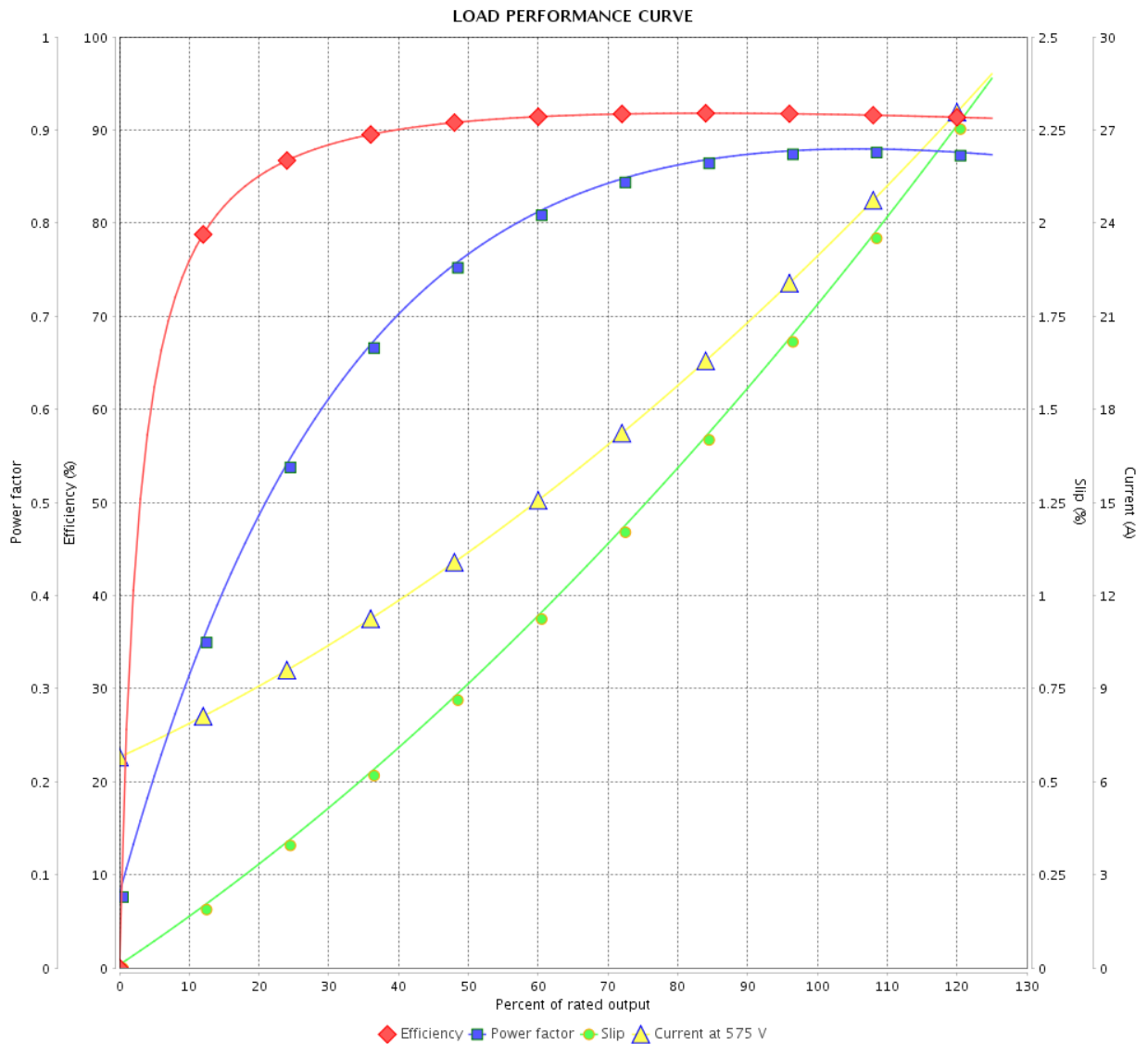


Customer : _____

Product line : W40 JM Pump NEMA Premium
Efficiency Three-Phase

Product code : 14484688

Catalog # : 02536OT3H256JM-W40



Performance : 575 V 60 Hz 2P

Rated current : 23.0 A
 LRC : 6.5
 Rated torque : 37.1 ft.lb
 Locked rotor torque : 200 %
 Breakdown torque : 280 %
 Rated speed : 3535 rpm

Moment of inertia (J) : 1.13 sq.ft.lb
 Duty cycle : Cont.(S1)
 Insulation class : F
 Service factor : 1.25
 Temperature rise : 80 K
 Design : B

Rev.	Changes Summary	Performed	Checked	Date
Performed by		Page		Revision
Checked by		3 / 6		
Date		14/04/2022		

THERMAL LIMIT CURVE



Three Phase Induction Motor - Squirrel Cage

Customer :

Product line : W40 JM Pump NEMA Premium
Efficiency Three-Phase

Product code : 14484688

Catalog # : 02536OT3H256JM-W40

Performance : 575 V 60 Hz 2P

Rated current : 23.0 A
LRC : 6.5
Rated torque : 37.1 ft.lb
Locked rotor torque : 200 %
Breakdown torque : 280 %
Rated speed : 3535 rpm

Moment of inertia (J) : 1.13 sq.ft.lb
Duty cycle : Cont.(S1)
Insulation class : F
Service factor : 1.25
Temperature rise : 80 K
Design : B

Heating constant

Cooling constant

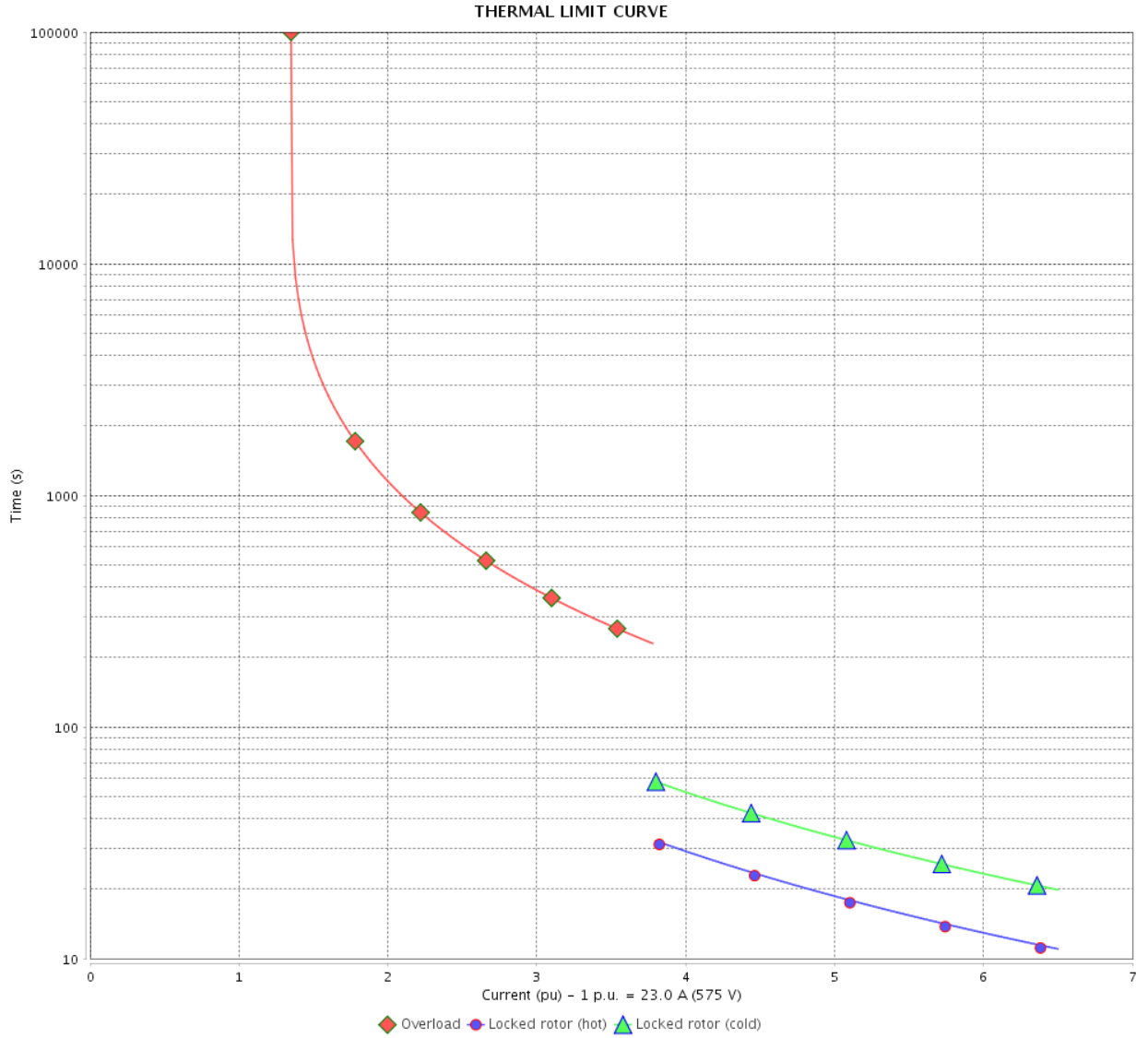
Rev.	Changes Summary	Performed	Checked	Date
Performed by				
Checked by			Page	Revision
Date	14/04/2022		4 / 6	

THERMAL LIMIT CURVE

Three Phase Induction Motor - Squirrel Cage



Customer : _____



Rev.	Changes Summary	Performed	Checked	Date
Performed by		Page 5 / 6		Revision
Checked by				
Date				

VFD OPERATION CURVE

Three Phase Induction Motor - Squirrel Cage



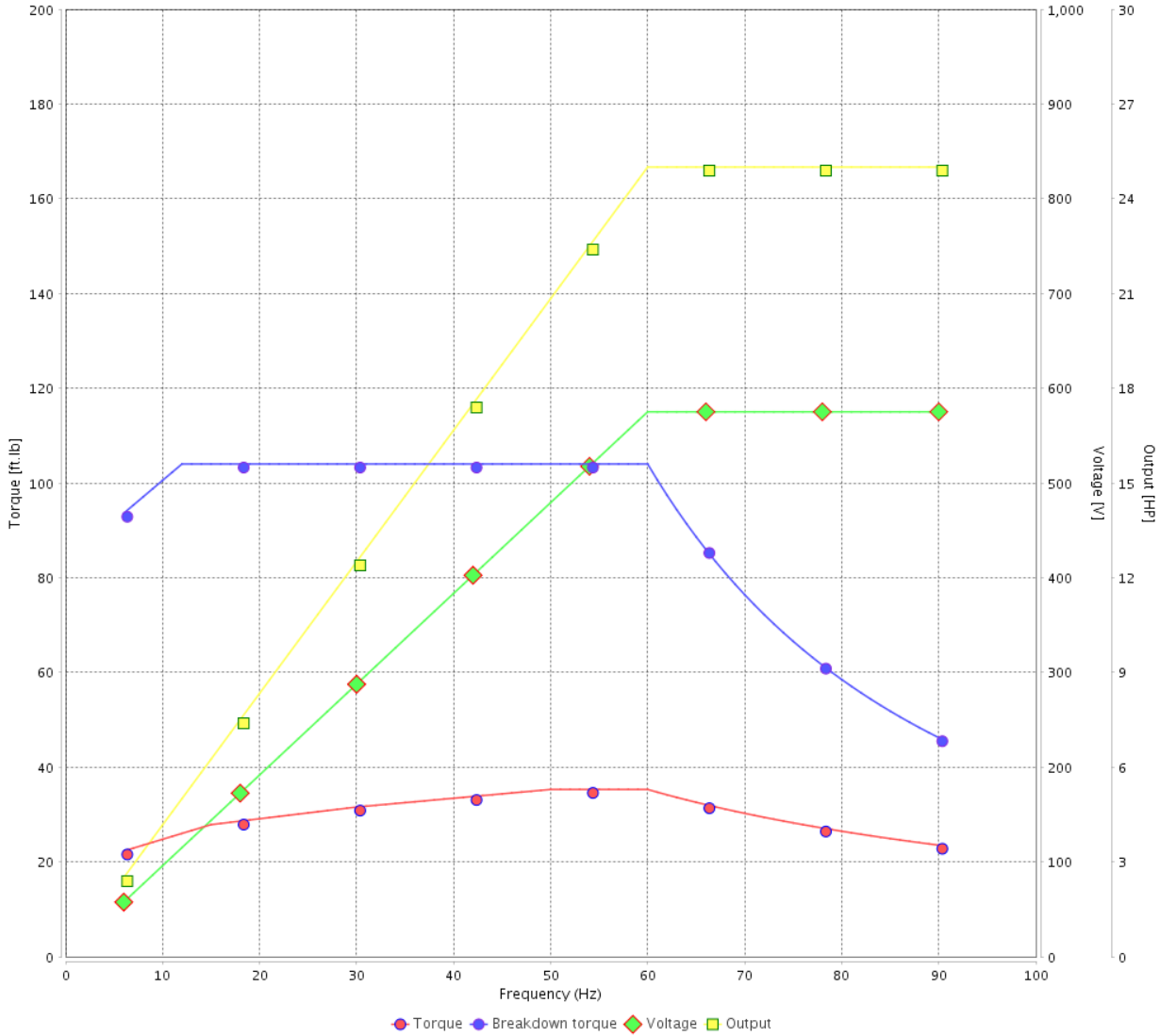
Customer :

Product line : W40 JM Pump NEMA Premium Efficiency Three-Phase

Product code : 14484688

Catalog # : 02536OT3H256JM-W40

VFD OPERATION CURVE

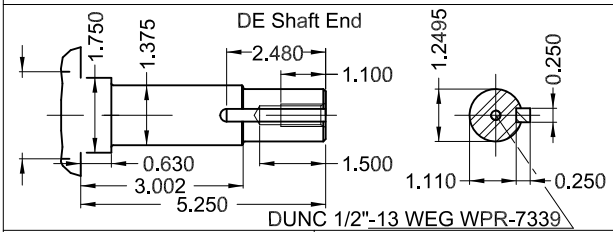
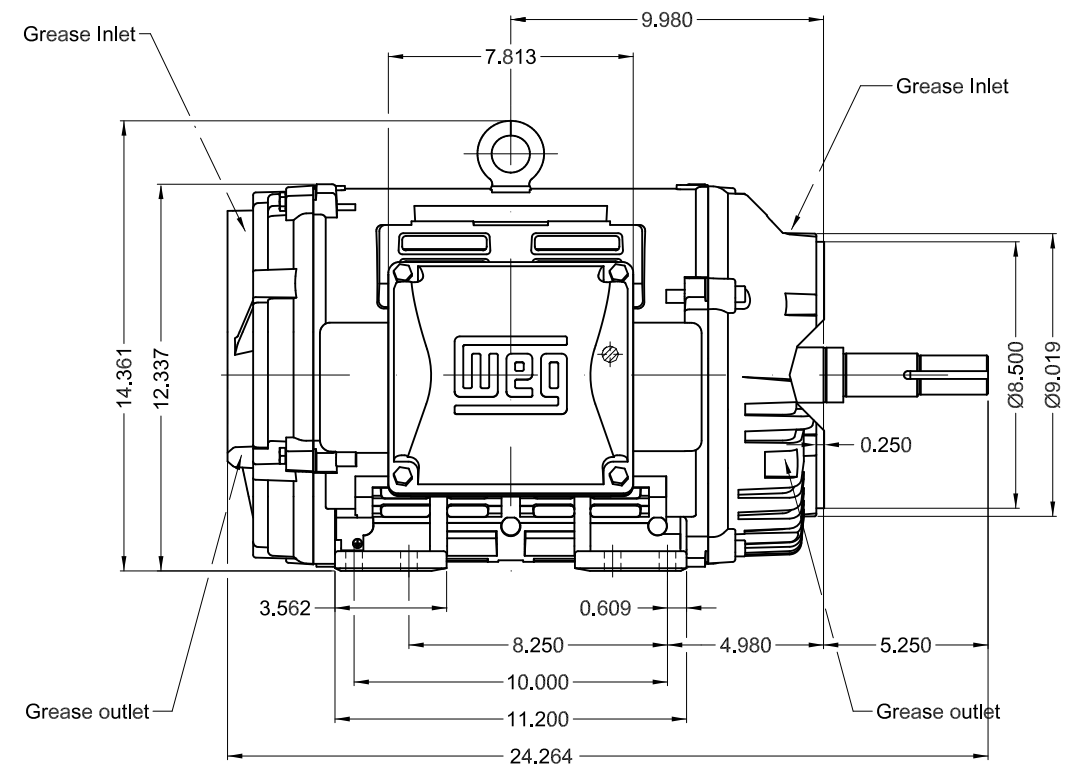
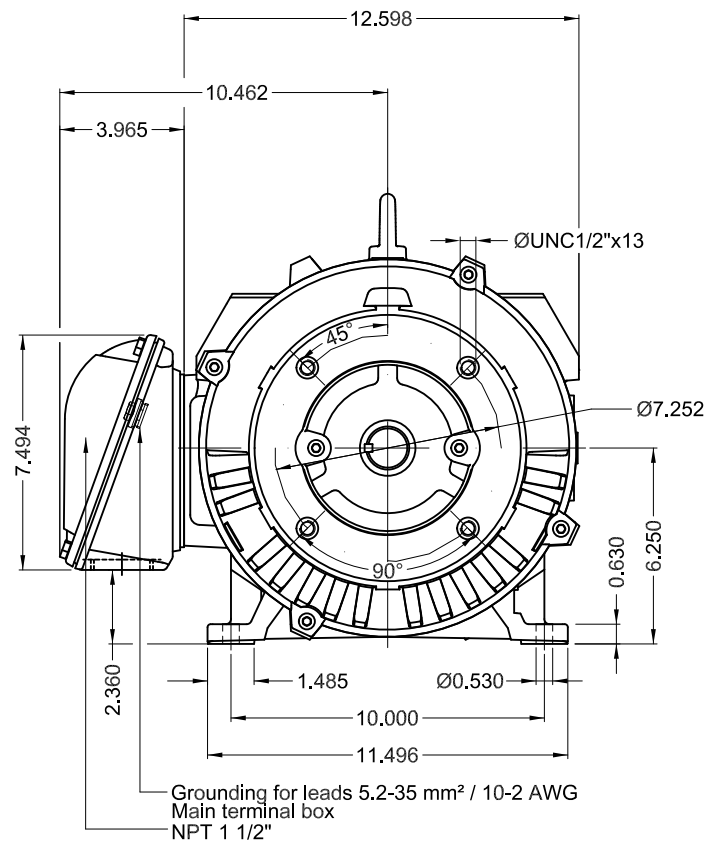


Performance : 575 V 60 Hz 2P

Rated current : 23.0 A
 LRC : 6.5
 Rated torque : 37.1 ft.lb
 Locked rotor torque : 200 %
 Breakdown torque : 280 %
 Rated speed : 3535 rpm

Moment of inertia (J) : 1.13 sq.ft.lb
 Duty cycle : Cont.(S1)
 Insulation class : F
 Service factor : 1.25
 Temperature rise : 80 K
 Design : B

Rev.	Changes Summary	Performed	Checked	Date
Performed by			Page 6 / 6	Revision
Checked by				
Date	14/04/2022			



25 HP 02 Poles 60 Hz

A

1:6

ECM	LOC	SUMMARY OF MODIFICATIONS	EXECUTED	CHECKED	RELEASED	DATE	VER
EXECUTED	PIRWBUSER	THREE PH. MOTOR W40 CLOSE COUPLED PUMP JM TYPE PREM-EST.					
CHECKED		FRAME 254/6JM IP23 ODP					
RELEASED							
REL DT.	WMO	Jaragua do Sul	Product Engineering	SHEET	1 / 1		

Color RAL 5009
 Painting plan 203A
 Mounting NEMA F-1
 Mounting B34R(D)

PREVIEW
 WDD



MODEL 025360T3H256JM-W40
MADE IN BRAZIL
14484688

WEG **W40 NEMA**
CC029A Premium
Inverter Duty Motor

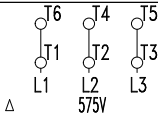


IEC 60034-1
MOD.T01#FOXON



For use on PWM, VT 1000:1, CT 3:1, 1.0SF

PH 3	FR 254/6JM	HP(kW) 25(18.5)		Hz 60
V 575		A 23.0		IP23
NEMA NOM EFF		91.7	%	RPM 3535
ENCL ODP	DUTY CONT.		INS. CL. F Δ T 80 K	
PF 0.88		DES B	CODE G	AMB. 40°C
SF 1.25		SFA 28.8		ALT 1000 m.a.s.l.



→ 6309-Z-C3
→ 6209-Z-C3

MOBIL POLYREX EM
13 g 20000 h

254 Lbs