

# DATA SHEET



## Three Phase Induction Motor - Squirrel Cage

Customer :																
Product line : JP Pump NEMA Premium Efficiency Three-Phase	Product code : 13483002															
	Catalog # : 02536OT3H256JPV-S															
Frame : 254/6JP Output : 25 HP (18.5 kW) Poles : 2 Frequency : 60 Hz Rated voltage : 575 V Rated current : 23.3 A L. R. Amperes : 147 A LRC : 6.3x(Code G) No load current : 9.12 A Rated speed : 3530 rpm Slip : 1.94 % Rated torque : 37.2 ft.lb Locked rotor torque : 180 % Breakdown torque : 290 % Insulation class : F Service factor : 1.15 Moment of inertia (J) : 0.9155 sq.ft.lb Design : B	Locked rotor time : 16s (cold) 9s (hot) Temperature rise : 80 K Duty cycle : Cont.(S1) Ambient temperature : -20°C to +40°C Altitude : 1000 m.a.s.l. Cooling method : IC01 - ODP Mounting : W-6 Rotation <sup>1</sup> : Both (CW and CCW) Noise level <sup>2</sup> : 70.0 dB(A) Starting method : Direct On Line Approx. weight <sup>3</sup> : 192 lb															
<table border="1" style="width:100%; border-collapse: collapse;"> <tr> <td>Output</td> <td>25%</td> <td>50%</td> <td>75%</td> <td>100%</td> </tr> <tr> <td>Efficiency (%)</td> <td>90.8</td> <td>91.0</td> <td>91.7</td> <td>91.7</td> </tr> <tr> <td>Power Factor</td> <td>0.46</td> <td>0.73</td> <td>0.83</td> <td>0.87</td> </tr> </table>	Output	25%	50%	75%	100%	Efficiency (%)	90.8	91.0	91.7	91.7	Power Factor	0.46	0.73	0.83	0.87	Foundation loads Max. traction : 421 lb Max. compression : 613 lb
Output	25%	50%	75%	100%												
Efficiency (%)	90.8	91.0	91.7	91.7												
Power Factor	0.46	0.73	0.83	0.87												
Bearing type : Sealing : Lubrication interval : Lubricant amount : Lubricant type :	<table style="width:100%;"> <tr> <td style="text-align:center;"><u>Drive end</u></td> <td style="text-align:center;"><u>Non drive end</u></td> </tr> <tr> <td style="text-align:center;">6309 Z C3</td> <td style="text-align:center;">6208 Z C3</td> </tr> <tr> <td style="text-align:center;">Without Bearing Seal</td> <td style="text-align:center;">Without Bearing Seal</td> </tr> <tr> <td style="text-align:center;">15797 h</td> <td style="text-align:center;">20000 h</td> </tr> <tr> <td style="text-align:center;">13 g</td> <td style="text-align:center;">8 g</td> </tr> <tr> <td colspan="2" style="text-align:center;">Mobil Polyrex EM</td> </tr> </table>	<u>Drive end</u>	<u>Non drive end</u>	6309 Z C3	6208 Z C3	Without Bearing Seal	Without Bearing Seal	15797 h	20000 h	13 g	8 g	Mobil Polyrex EM				
<u>Drive end</u>	<u>Non drive end</u>															
6309 Z C3	6208 Z C3															
Without Bearing Seal	Without Bearing Seal															
15797 h	20000 h															
13 g	8 g															
Mobil Polyrex EM																
Notes																
This revision replaces and cancel the previous one, which must be eliminated. (1) Looking the motor from the shaft end. (2) Measured at 1m and with tolerance of +3dB(A). (3) Approximate weight subject to changes after manufacturing process. (4) At 100% of full load.	These are average values based on tests with sinusoidal power supply, subject to the tolerances stipulated in NEMA MG-1.															
Rev.	Changes Summary	Performed	Checked	Date												
Performed by																
Checked by			Page	Revision												
Date	14/04/2022		1 / 6													

# TORQUE AND CURRENT VS SPEED CURVE

## Three Phase Induction Motor - Squirrel Cage



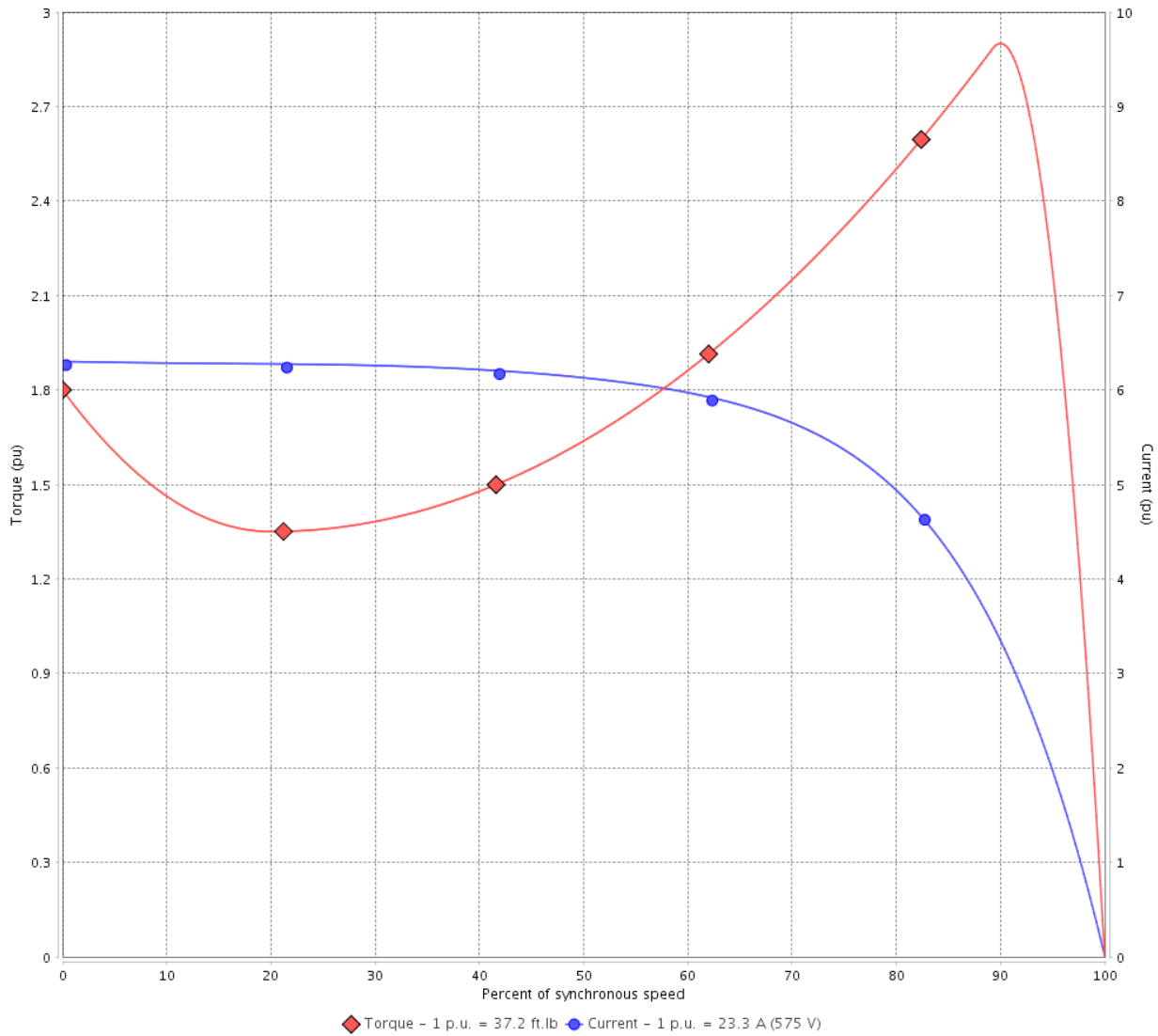
Customer :

Product line : JP Pump NEMA Premium  
Efficiency Three-Phase

Product code : 13483002

Catalog # : 02536OT3H256JPV-S

TORQUE AND CURRENT VS SPEED CURVE



Performance : 575 V 60 Hz 2P

Rated current	: 23.3 A	Moment of inertia (J)	: 0.9155 sq.ft.lb
LRC	: 6.3	Duty cycle	: Cont.(S1)
Rated torque	: 37.2 ft.lb	Insulation class	: F
Locked rotor torque	: 180 %	Service factor	: 1.15
Breakdown torque	: 290 %	Temperature rise	: 80 K
Rated speed	: 3530 rpm	Design	: B

Locked rotor time : 16s (cold) 9s (hot)

Rev.	Changes Summary	Performed	Checked	Date
Performed by			Page 2 / 6	Revision
Checked by				
Date	14/04/2022			

# LOAD PERFORMANCE CURVE

## Three Phase Induction Motor - Squirrel Cage

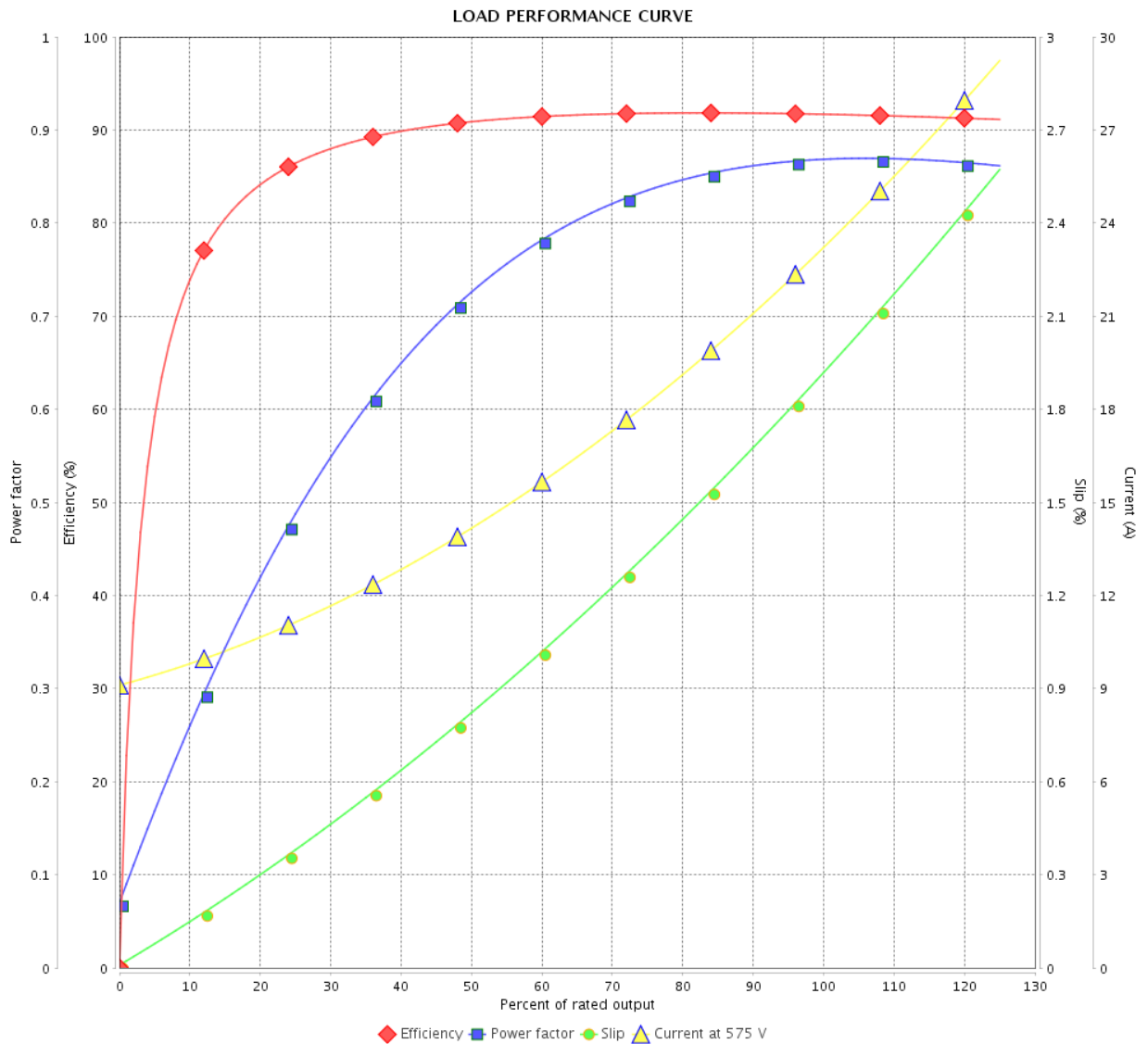


Customer : \_\_\_\_\_

Product line : JP Pump NEMA Premium  
Efficiency Three-Phase

Product code : 13483002

Catalog # : 02536OT3H256JPV-S



Performance : 575 V 60 Hz 2P

Rated current : 23.3 A  
 LRC : 6.3  
 Rated torque : 37.2 ft.lb  
 Locked rotor torque : 180 %  
 Breakdown torque : 290 %  
 Rated speed : 3530 rpm

Moment of inertia (J) : 0.9155 sq.ft.lb  
 Duty cycle : Cont.(S1)  
 Insulation class : F  
 Service factor : 1.15  
 Temperature rise : 80 K  
 Design : B

Rev.	Changes Summary	Performed	Checked	Date
Performed by		Page		Revision
Checked by		3 / 6		
Date		14/04/2022		

# THERMAL LIMIT CURVE



## Three Phase Induction Motor - Squirrel Cage

Customer :

Product line : JP Pump NEMA Premium  
Efficiency Three-Phase

Product code : 13483002

Catalog # : 02536OT3H256JPV-S

Performance : 575 V 60 Hz 2P

Rated current : 23.3 A  
LRC : 6.3  
Rated torque : 37.2 ft.lb  
Locked rotor torque : 180 %  
Breakdown torque : 290 %  
Rated speed : 3530 rpm

Moment of inertia (J) : 0.9155 sq.ft.lb  
Duty cycle : Cont.(S1)  
Insulation class : F  
Service factor : 1.15  
Temperature rise : 80 K  
Design : B

Heating constant

Cooling constant

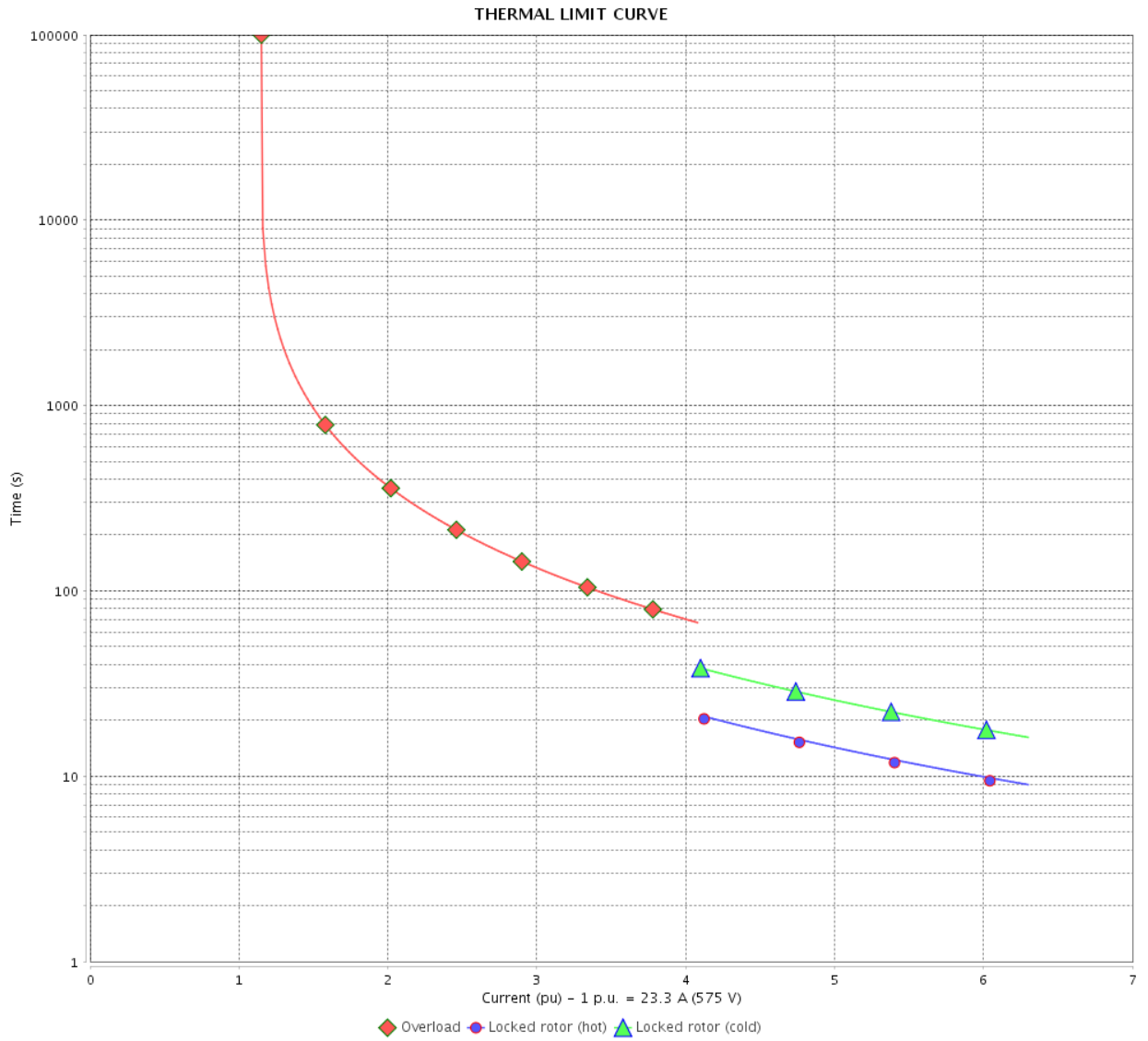
Rev.	Changes Summary	Performed	Checked	Date
Performed by				
Checked by			Page	Revision
Date	14/04/2022		4 / 6	

# THERMAL LIMIT CURVE

Three Phase Induction Motor - Squirrel Cage



Customer : \_\_\_\_\_



Rev.	Changes Summary	Performed	Checked	Date
Performed by				
Checked by				
Date				
			Page	Revision
			5 / 6	

# VFD OPERATION CURVE

Three Phase Induction Motor - Squirrel Cage



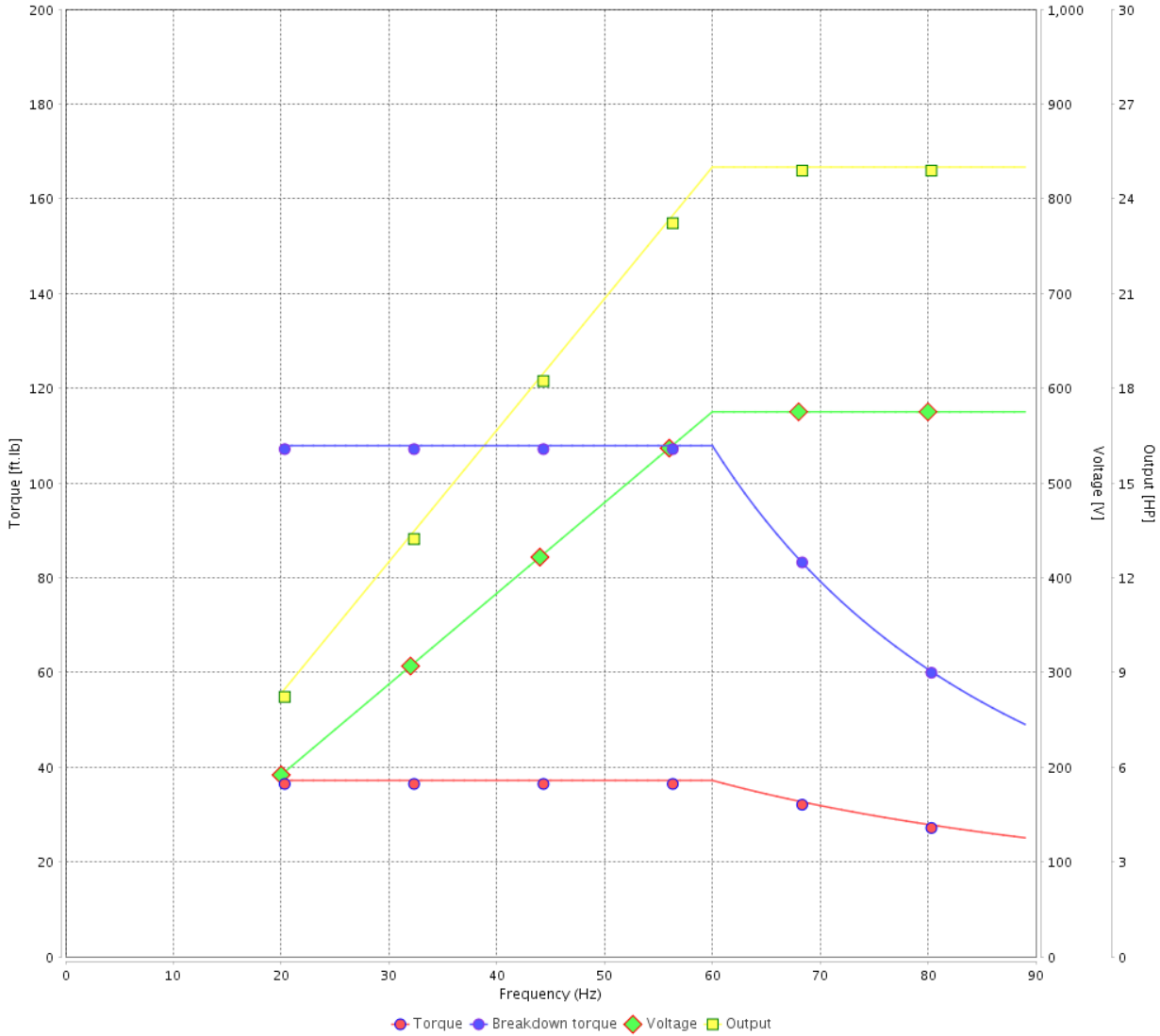
Customer :

Product line : JP Pump NEMA Premium Efficiency Three-Phase

Product code : 13483002

Catalog # : 02536OT3H256JPV-S

VFD OPERATION CURVE



Performance : 575 V 60 Hz 2P

Rated current : 23.3 A  
 LRC : 6.3  
 Rated torque : 37.2 ft.lb  
 Locked rotor torque : 180 %  
 Breakdown torque : 290 %  
 Rated speed : 3530 rpm

Moment of inertia (J) : 0.9155 sq.ft.lb  
 Duty cycle : Cont.(S1)  
 Insulation class : F  
 Service factor : 1.15  
 Temperature rise : 80 K  
 Design : B

Rev.	Changes Summary	Performed	Checked	Date
Performed by		Page		Revision
Checked by		6 / 6		
Date	14/04/2022			

1 2 3 4 5 6

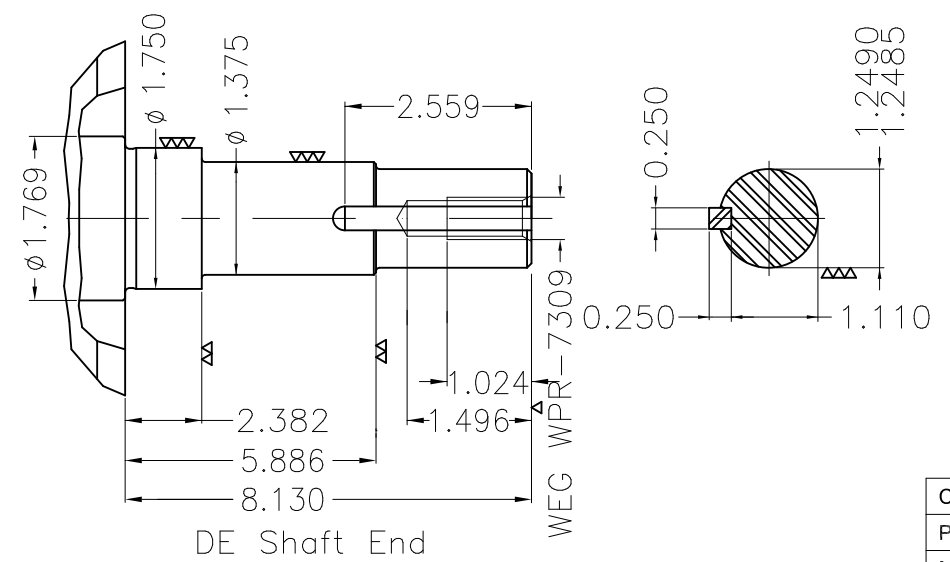
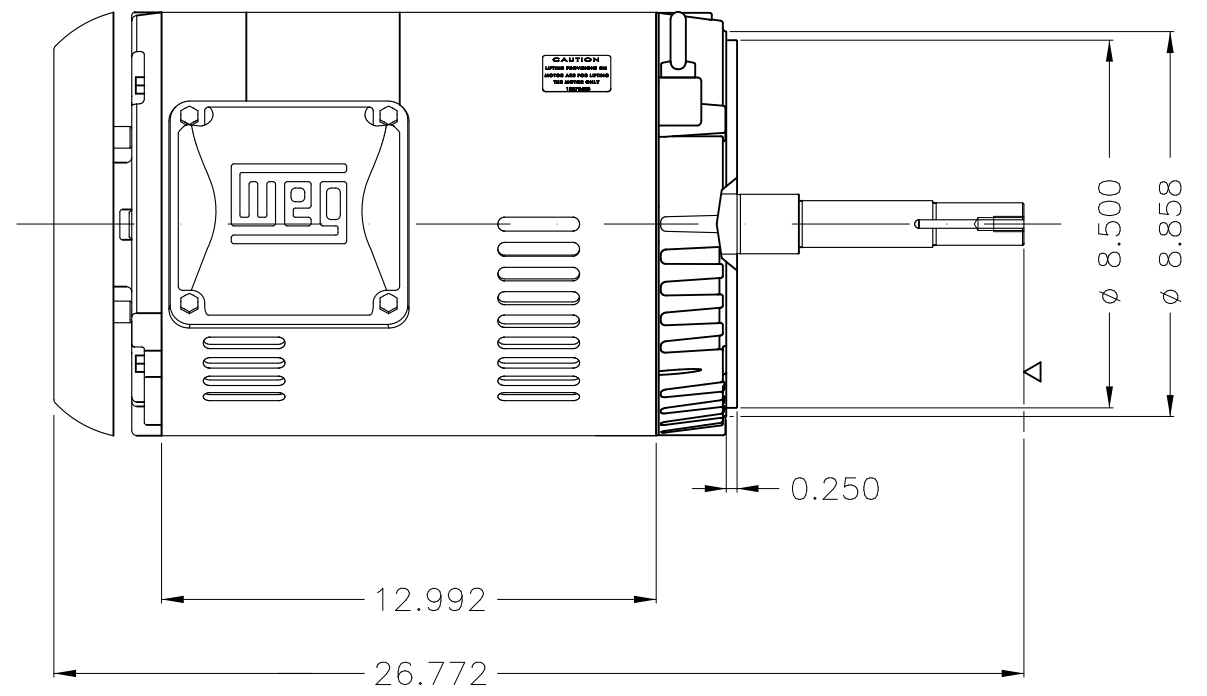
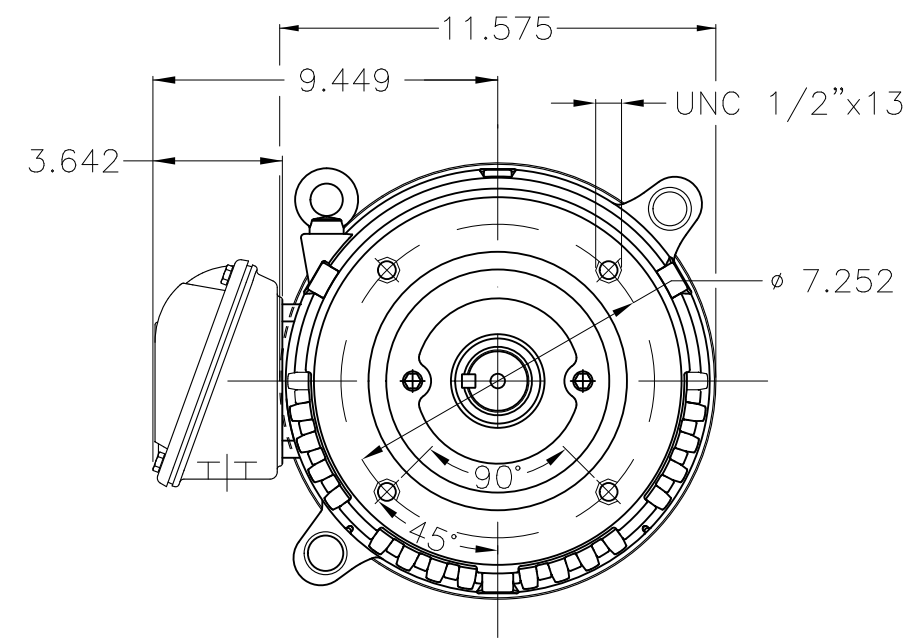
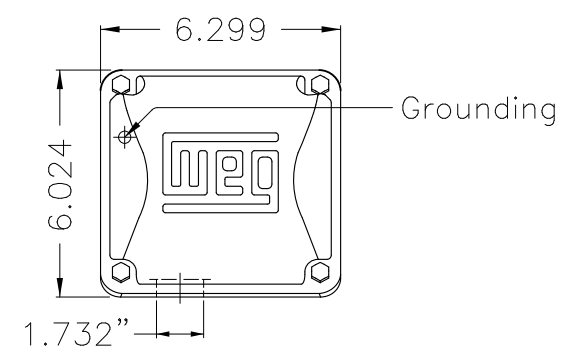
A

B

C

D

E



EUNC 1/2"-13 WEG WPR-7309

Color Munsell N 1 matte black									
Painting plan 207N									
Mounting W-6/V18R(D)									
ECM	LOC	SUMMARY OF MODIFICATIONS			EXECUTED	CHECKED	RELEASED	DATE	VER
EXECUTED	PIRBUSER	THREE PH. MOTOR ROLLED STEEL CLOSE COUPLED PUMP JP 3/4 DE PREMETS							
CHECKED		FRAME 254/6JP IP21 ODP							
RELEASED									
REL DT.		WMO	Jaragua do Sul	Product Engineering					

**PREVIEW**  
WDD



25 HP 02 Poles 60 Hz

Dimensions in inches XME A3

**WEG**  
**NEMA**  
**Premium**

3PT9



MADE IN MEXICO

MAT: 13483002 CC029A

W01.T00IC0X0N

MODEL 025360T3H256JPV-S

03SET2018 S/N:

PH 3 FR 254/6JP |HP(kW) 25(18.5) |Hz 60

V 575 |RPM 3530

A 23.3 |DUTY CONT.

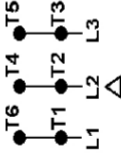
SFA 26.8 |CODE G |DES B

SF 1.15 |INS CL F  $\Delta$ T 80K |AMB 40°C |ENCL ODP

ALT 1000 m.a.s.l. |NEMA NOM.EFF. 91.7% |PF 0.87

ALTERNATE RATING:

WITH IEC 60034-1

T1-BLU T2-WHT  
T3-ORG T4-YEL  
T5-BLK T6-GRY

INTERCHANGE ANY TWO LINE WIRES TO REVERSE THE ROTATION

Inverter duty For use on VPWM 1000:1 VT, 3:1 CT

DE: 6309-Z-C3 ODE: 6208-Z-C3 MOBIL POLYREX EM 15797h

WARNING: Motor must be grounded in accordance with local and national electrical codes to prevent serious electrical shocks. Disconnect power source before servicing unit.

AVERTISSEMENT: Le moteur doit être mis à la terre conformément aux codes électriques locaux et nationaux afin d'éviter tout choc électrique grave. Déconnectez l'alimentation avant l'entretien de la machine.

