

DATA SHEET



Three Phase Induction Motor - Squirrel Cage

| | | | | |
|--|--|--|------------------------|----------|
| Customer : | | | | |
| Product line | : W40 NEMA Premium Efficiency Three-Phase | Product code : | 14495228 | |
| | | Catalog # : | 02536OT3H256T-W40 | |
| Frame | : 254/6T | Locked rotor time | : 19s (cold) 11s (hot) | |
| Output | : 25 HP (18.5 kW) | Temperature rise | : 80 K | |
| Poles | : 2 | Duty cycle | : Cont.(S1) | |
| Frequency | : 60 Hz | Ambient temperature | : -20°C to +40°C | |
| Rated voltage | : 575 V | Altitude | : 1000 m.a.s.l. | |
| Rated current | : 23.0 A | Protection degree | : IP23 | |
| L. R. Amperes | : 150 A | Cooling method | : IC01 - ODP | |
| LRC | : 6.5x(Code G) | Mounting | : F-1 | |
| No load current | : 6.80 A | Rotation ¹ | : Both (CW and CCW) | |
| Rated speed | : 3535 rpm | Starting method | : Direct On Line | |
| Slip | : 1.81 % | Approx. weight ³ | : 235 lb | |
| Rated torque | : 37.1 ft.lb | | | |
| Locked rotor torque | : 200 % | | | |
| Breakdown torque | : 280 % | | | |
| Insulation class | : F | | | |
| Service factor | : 1.25 | | | |
| Moment of inertia (J) | : 1.13 sq.ft.lb | | | |
| Design | : B | | | |
| Output | 25% 50% 75% 100% | Foundation loads | | |
| Efficiency (%) | 90.8 91.0 91.7 91.7 | Max. traction | | |
| Power Factor | 0.53 0.77 0.85 0.88 | Max. compression | | |
| | | <u>Drive end</u> | <u>Non drive end</u> | |
| Bearing type | : | 6309 Z C3 | 6209 Z C3 | |
| Sealing | : | Without Bearing Seal | Without Bearing Seal | |
| Lubrication interval | : | 20000 h | 20000 h | |
| Lubricant amount | : | 13 g | 9 g | |
| Lubricant type | : | Mobil Polyrex EM | | |
| Notes | | | | |
| This revision replaces and cancel the previous one, which must be eliminated. (1) Looking the motor from the shaft end. (2) Measured at 1m and with tolerance of +3dB(A). (3) Approximate weight subject to changes after manufacturing process. (4) At 100% of full load. | | These are average values based on tests with sinusoidal power supply, subject to the tolerances stipulated in NEMA MG-1. | | |
| Rev. | Changes Summary | Performed | Checked | Date |
| Performed by | | | | |
| Checked by | | | Page | Revision |
| Date | 14/04/2022 | | 1 / 6 | |

TORQUE AND CURRENT VS SPEED CURVE

Three Phase Induction Motor - Squirrel Cage



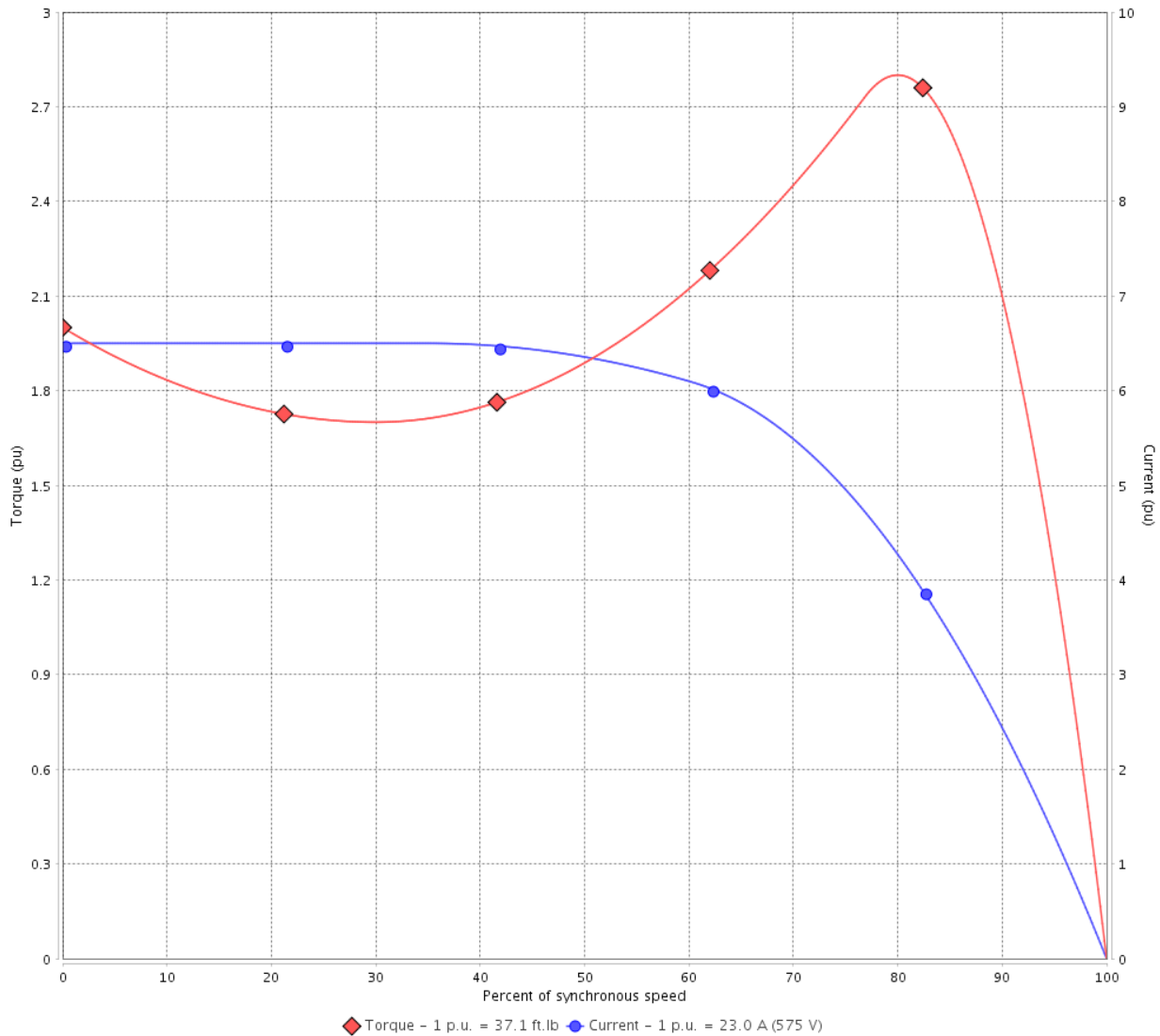
Customer :

Product line : W40 NEMA Premium Efficiency
Three-Phase

Product code : 14495228

Catalog # : 02536OT3H256T-W40

TORQUE AND CURRENT VS SPEED CURVE



Performance : 575 V 60 Hz 2P

| | | | |
|---------------------|--------------|-----------------------|-----------------|
| Rated current | : 23.0 A | Moment of inertia (J) | : 1.13 sq.ft.lb |
| LRC | : 6.5 | Duty cycle | : Cont.(S1) |
| Rated torque | : 37.1 ft.lb | Insulation class | : F |
| Locked rotor torque | : 200 % | Service factor | : 1.25 |
| Breakdown torque | : 280 % | Temperature rise | : 80 K |
| Rated speed | : 3535 rpm | Design | : B |

Locked rotor time : 19s (cold) 11s (hot)

| Rev. | Changes Summary | Performed | Checked | Date |
|--------------|-----------------|-----------|---------------|----------|
| | | | | |
| Performed by | | | Page 2 / 6 | Revision |
| Checked by | | | | |
| Date | 14/04/2022 | | | |

LOAD PERFORMANCE CURVE

Three Phase Induction Motor - Squirrel Cage

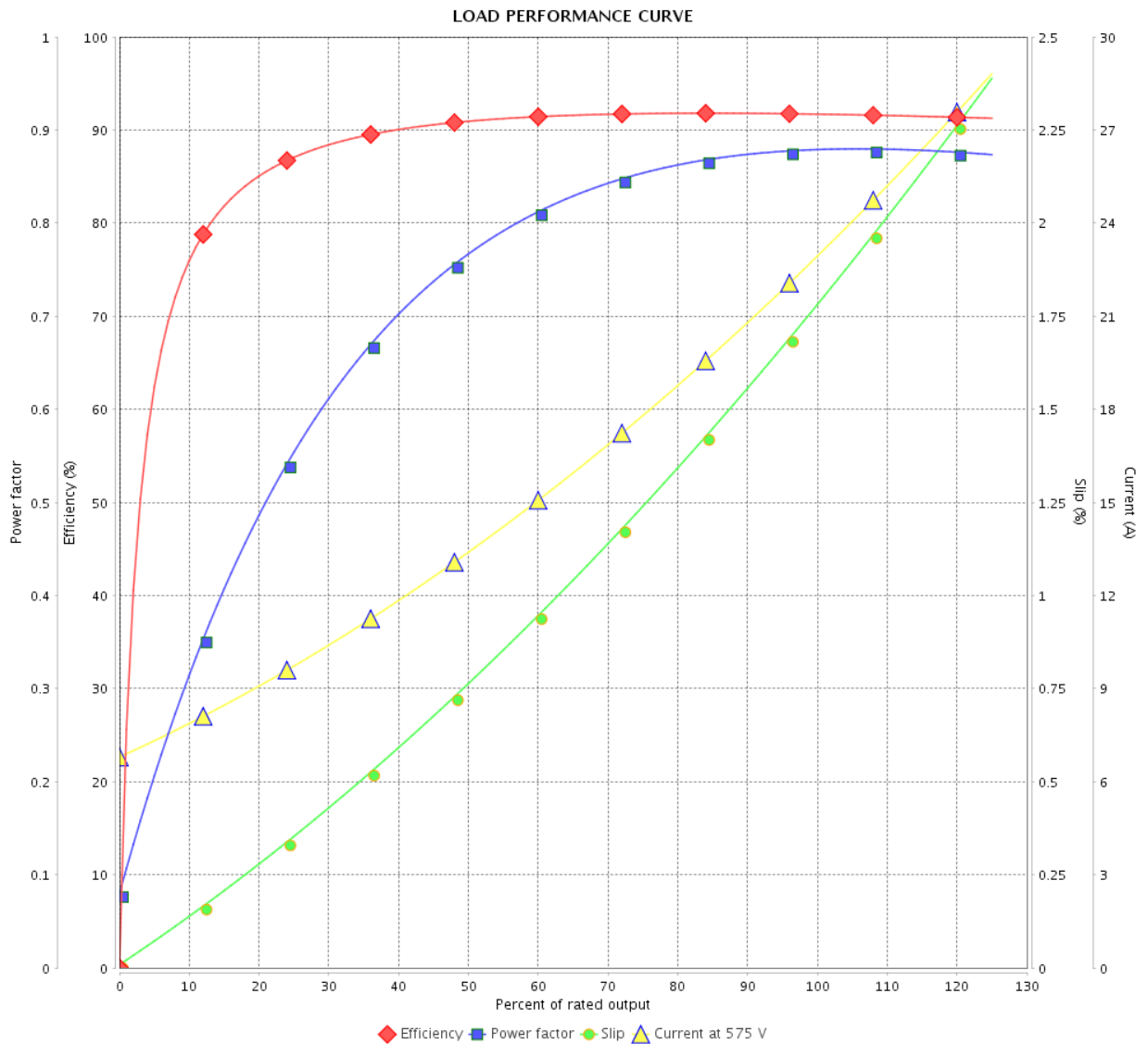


Customer :

Product line : W40 NEMA Premium Efficiency
Three-Phase

Product code : 14495228

Catalog # : 02536OT3H256T-W40



Performance : 575 V 60 Hz 2P

Rated current : 23.0 A
 LRC : 6.5
 Rated torque : 37.1 ft.lb
 Locked rotor torque : 200 %
 Breakdown torque : 280 %
 Rated speed : 3535 rpm

Moment of inertia (J) : 1.13 sq.ft.lb
 Duty cycle : Cont.(S1)
 Insulation class : F
 Service factor : 1.25
 Temperature rise : 80 K
 Design : B

| Rev. | Changes Summary | Performed | Checked | Date |
|--------------|-----------------|------------|---------|----------|
| | | | | |
| Performed by | | Page | | Revision |
| Checked by | | 3 / 6 | | |
| Date | | 14/04/2022 | | |

THERMAL LIMIT CURVE

Three Phase Induction Motor - Squirrel Cage



Customer :

Product line : W40 NEMA Premium Efficiency
Three-Phase

Product code : 14495228

Catalog # : 02536OT3H256T-W40

Performance : 575 V 60 Hz 2P

| | | | |
|---------------------|--------------|-----------------------|-----------------|
| Rated current | : 23.0 A | Moment of inertia (J) | : 1.13 sq.ft.lb |
| LRC | : 6.5 | Duty cycle | : Cont.(S1) |
| Rated torque | : 37.1 ft.lb | Insulation class | : F |
| Locked rotor torque | : 200 % | Service factor | : 1.25 |
| Breakdown torque | : 280 % | Temperature rise | : 80 K |
| Rated speed | : 3535 rpm | Design | : B |

Heating constant

Cooling constant

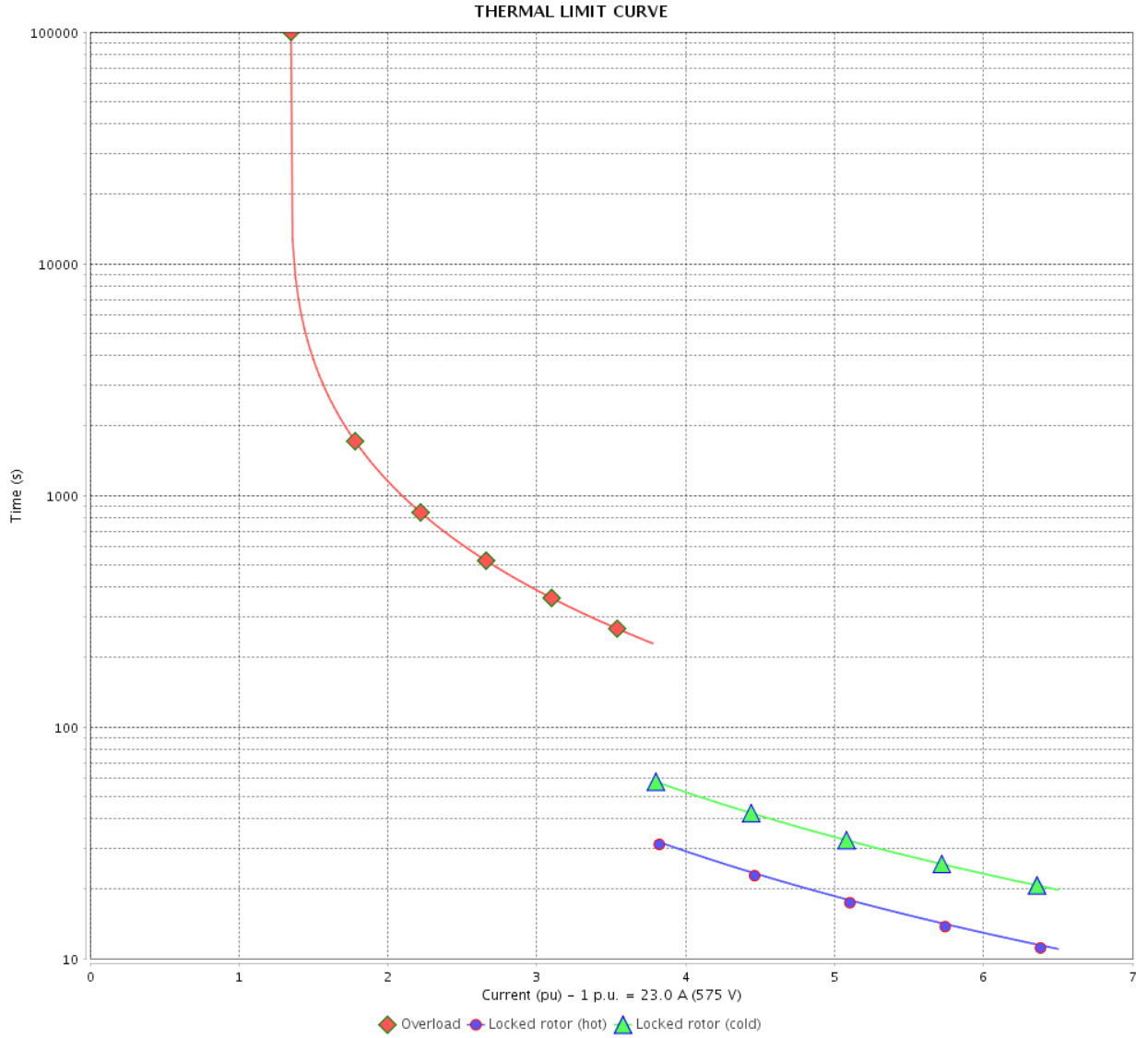
| Rev. | Changes Summary | Performed | Checked | Date |
|--------------|-----------------|-----------|---------|----------|
| | | | | |
| Performed by | | | | |
| Checked by | | | Page | Revision |
| Date | 14/04/2022 | | 4 / 6 | |

THERMAL LIMIT CURVE

Three Phase Induction Motor - Squirrel Cage



Customer : _____



| Rev. | Changes Summary | Performed | Checked | Date |
|--------------|-----------------|---------------|---------|----------|
| | | | | |
| Performed by | | Page 5 / 6 | | Revision |
| Checked by | | | | |
| Date | | | | |

VFD OPERATION CURVE

Three Phase Induction Motor - Squirrel Cage



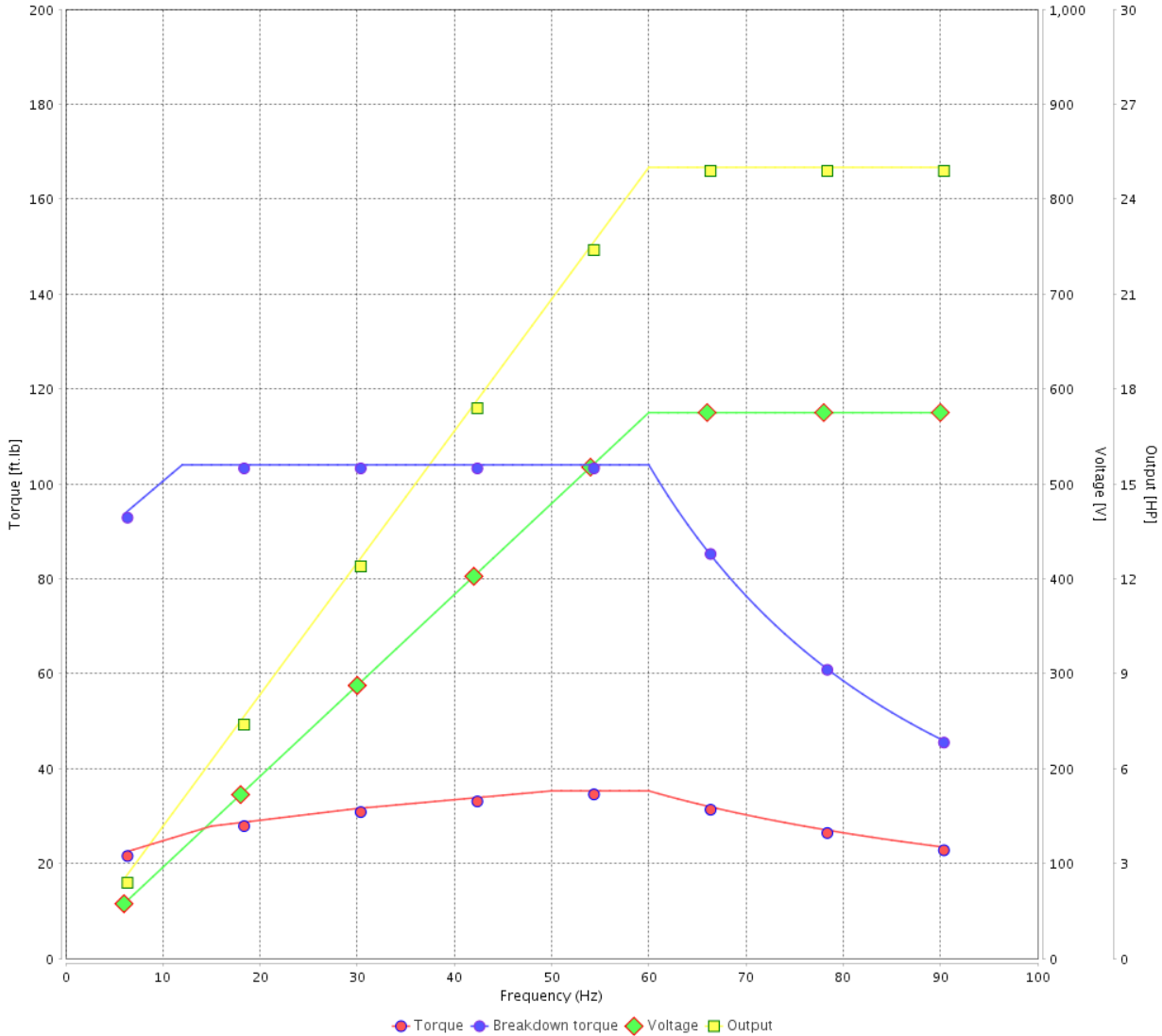
Customer :

Product line : W40 NEMA Premium Efficiency
Three-Phase

Product code : 14495228

Catalog # : 02536OT3H256T-W40

VFD OPERATION CURVE

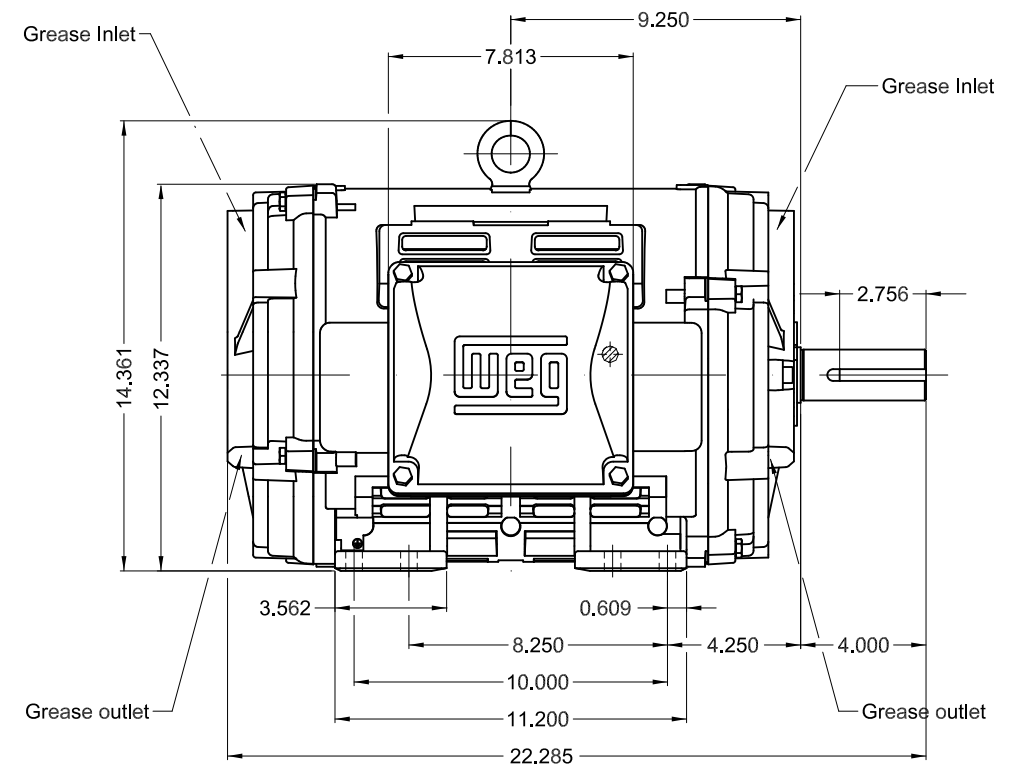
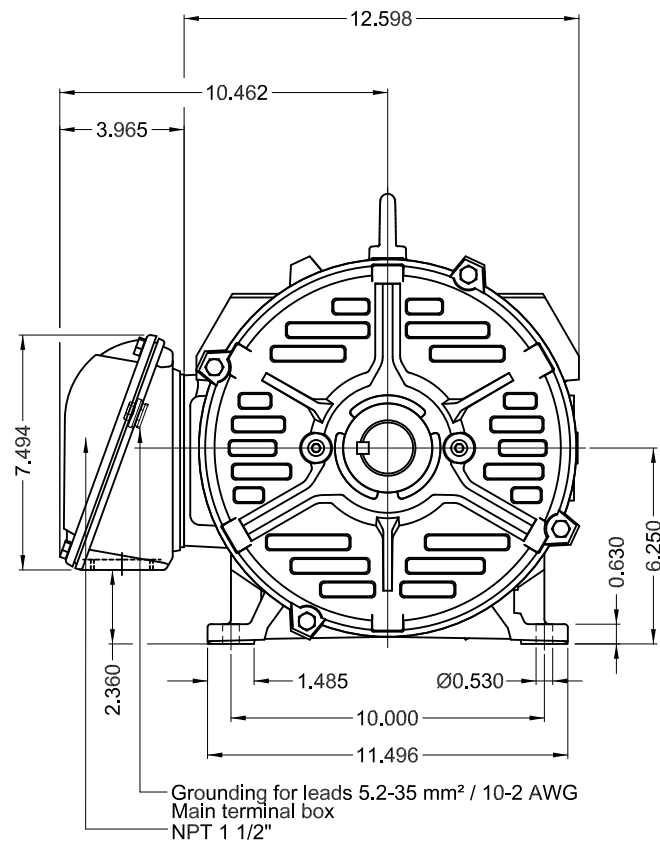


Performance : 575 V 60 Hz 2P

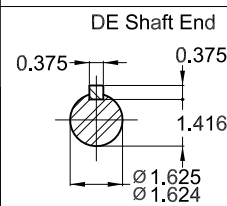
Rated current : 23.0 A
LRC : 6.5
Rated torque : 37.1 ft.lb
Locked rotor torque : 200 %
Breakdown torque : 280 %
Rated speed : 3535 rpm

Moment of inertia (J) : 1.13 sq.ft.lb
Duty cycle : Cont.(S1)
Insulation class : F
Service factor : 1.25
Temperature rise : 80 K
Design : B

| Rev. | Changes Summary | Performed | Checked | Date |
|--------------|-----------------|-----------|---------------|----------|
| | | | | |
| Performed by | | | Page 6 / 6 | Revision |
| Checked by | | | | |
| Date | 14/04/2022 | | | |



Color RAL 5009
Painting plan 203A
Mounting NEMA F-1
Mounting B3R(D)



25 HP 02 Poles 60 Hz

A

1:6

| ECM | LOC | SUMMARY OF MODIFICATIONS | EXECUTED | CHECKED | RELEASED | DATE | VER |
|----------|----------|--------------------------------|---------------------|---------|----------|------|-----|
| EXECUTED | PIRWUSER | THREE PH. MOTOR W40 PREM. EFF. | | | | | |
| CHECKED | | FRAME 254/6T IP23 ODP | | | | | |
| RELEASED | | | | | | | |
| REL DT. | WMO | Jaragua do Sul | Product Engineering | SHEET | 1 / 1 | | |

PREVIEW
WDD



MODEL 025360T3H256T-W40
MADE IN BRAZIL
14495228

WEG **W40 NEMA**
CC029A Premium
Inverter Duty Motor

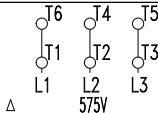


IEC 60034-1
MOD.T01#FOXON



For use on PWM, VT 1000:1, CT 3:1, 1.0SF

| | | | | |
|--------------|------------|-----------------|----------------------------|-----------|
| PH 3 | FR 254/6T | HP(kW) 25(18.5) | | Hz 60 |
| V 575 | | A 23.0 | | IP23 |
| NEMA NOM EFF | | 91.7 | % | RPM 3535 |
| ENCL ODP | DUTY CONT. | | INS. CL. F Δ T 80 K | |
| PF 0.88 | | DES B | CODE G | AMB. 40°C |
| SF 1.25 | SFA 28.8 | | ALT 1000 m.a.s.l. | |



→ 6309-Z-C3
→ 6209-Z-C3

MOBIL POLYREX EM
13 g 20000 h

247 Lbs