



# TORQUE AND CURRENT VS SPEED CURVE

## Three Phase Induction Motor - Squirrel Cage



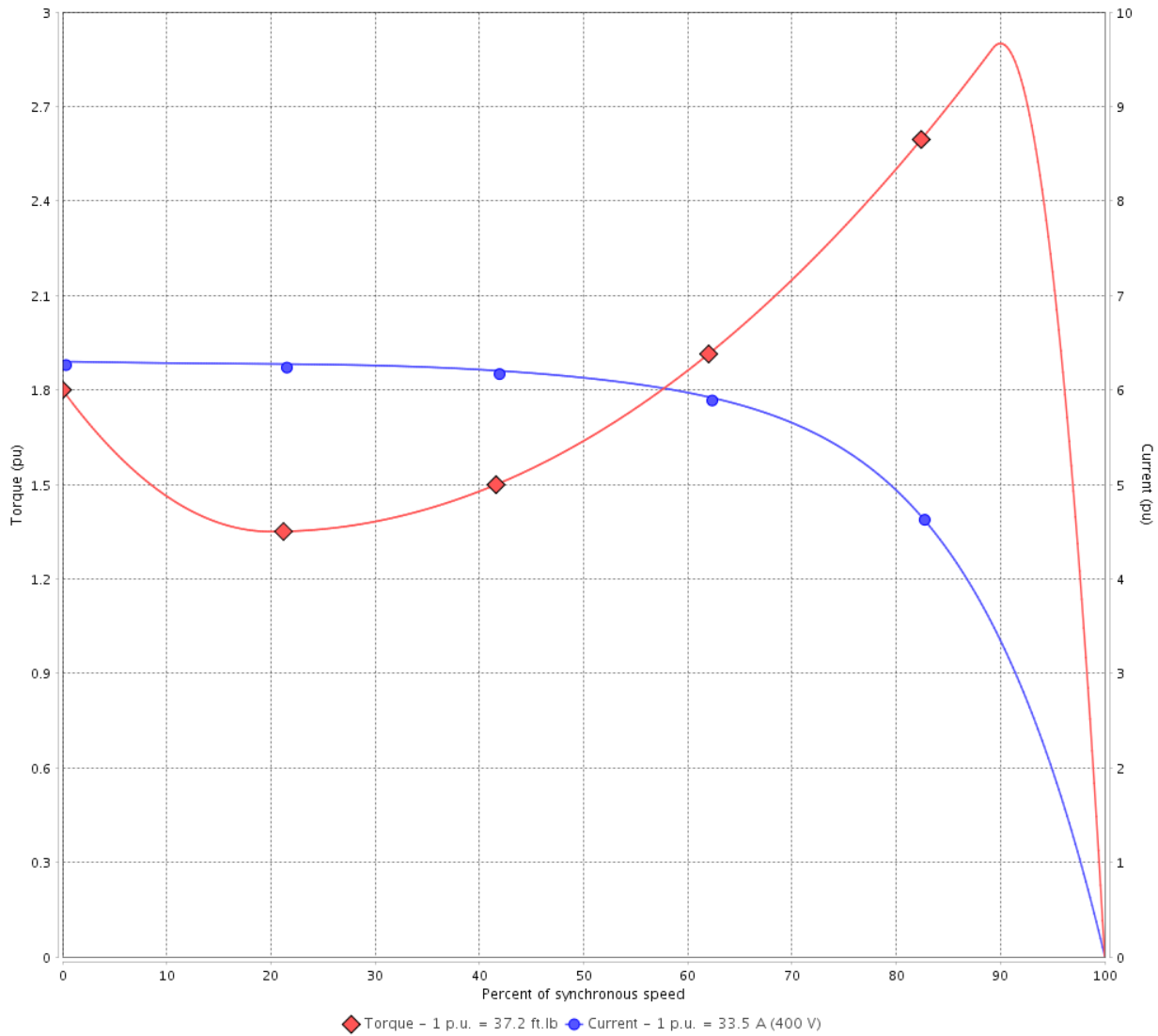
Customer :

Product line : JM Pump NEMA Premium  
Efficiency Three-Phase

Product code : 14332435

Catalog # : 02536OT3V256JMV-S

TORQUE AND CURRENT VS SPEED CURVE



Performance : 200/400 V 60 Hz 2P

Rated current : 66.9/33.5 A  
LRC : 6.3  
Rated torque : 37.2 ft.lb  
Locked rotor torque : 180 %  
Breakdown torque : 290 %  
Rated speed : 3530 rpm

Moment of inertia (J) : 0.9155 sq.ft.lb  
Duty cycle : Cont.(S1)  
Insulation class : F  
Service factor : 1.15  
Temperature rise : 80 K  
Design : B

Locked rotor time : 16s (cold) 9s (hot)

Rev.	Changes Summary	Performed	Checked	Date
Performed by			Page 2 / 6	Revision
Checked by				
Date	14/04/2022			

# LOAD PERFORMANCE CURVE

## Three Phase Induction Motor - Squirrel Cage

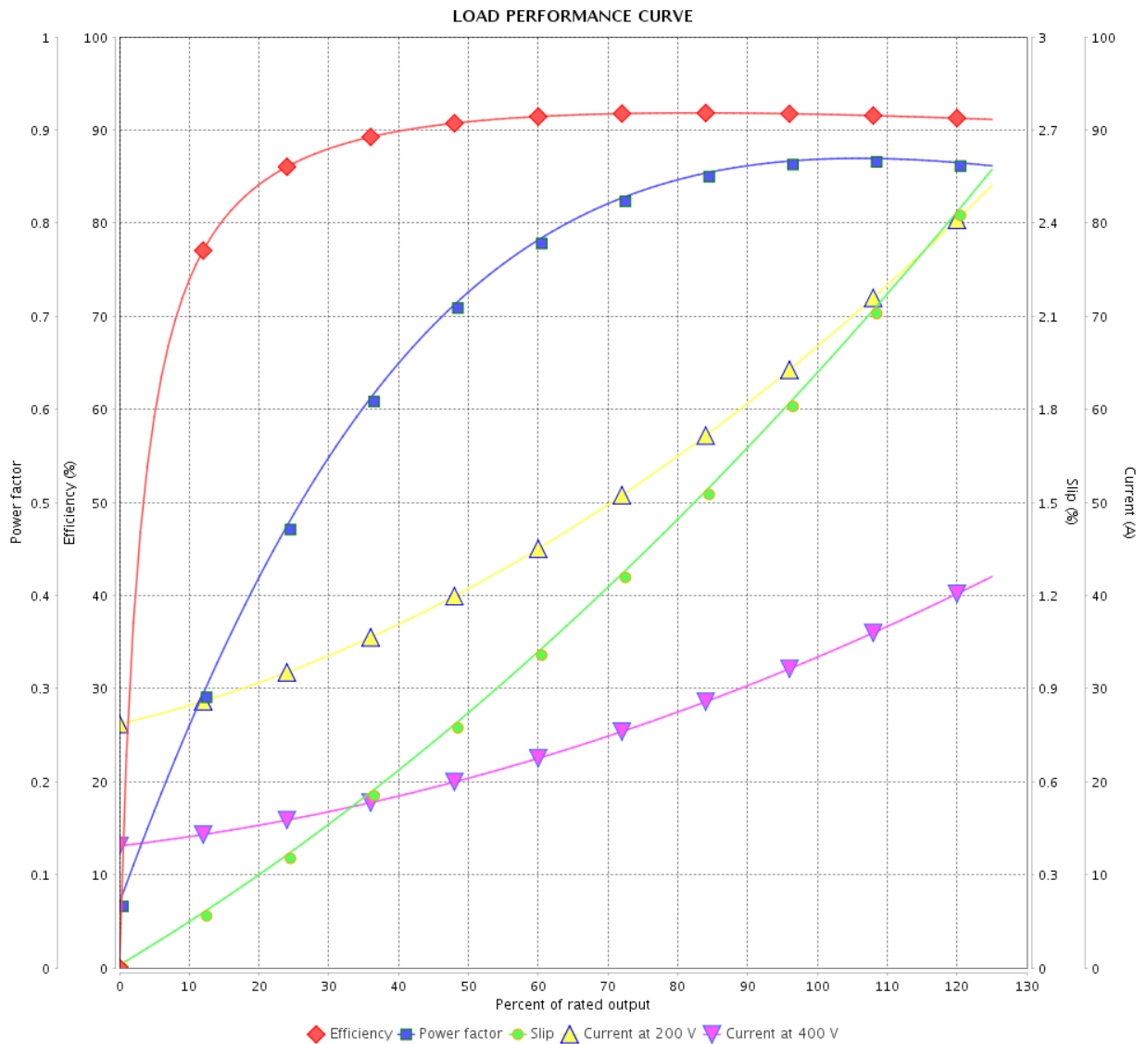


Customer :

Product line : JM Pump NEMA Premium  
Efficiency Three-Phase

Product code : 14332435

Catalog # : 02536OT3V256JMV-S



Performance : 200/400 V 60 Hz 2P

Rated current : 66.9/33.5 A  
 LRC : 6.3  
 Rated torque : 37.2 ft.lb  
 Locked rotor torque : 180 %  
 Breakdown torque : 290 %  
 Rated speed : 3530 rpm

Moment of inertia (J) : 0.9155 sq.ft.lb  
 Duty cycle : Cont.(S1)  
 Insulation class : F  
 Service factor : 1.15  
 Temperature rise : 80 K  
 Design : B

Rev.	Changes Summary	Performed	Checked	Date
Performed by		Page		Revision
Checked by		3 / 6		
Date		14/04/2022		

# THERMAL LIMIT CURVE

## Three Phase Induction Motor - Squirrel Cage



Customer :

Product line : JM Pump NEMA Premium  
Efficiency Three-Phase

Product code : 14332435

Catalog # : 02536OT3V256JMV-S

Performance : 200/400 V 60 Hz 2P

Rated current : 66.9/33.5 A  
LRC : 6.3  
Rated torque : 37.2 ft.lb  
Locked rotor torque : 180 %  
Breakdown torque : 290 %  
Rated speed : 3530 rpm

Moment of inertia (J) : 0.9155 sq.ft.lb  
Duty cycle : Cont.(S1)  
Insulation class : F  
Service factor : 1.15  
Temperature rise : 80 K  
Design : B

Heating constant

Cooling constant

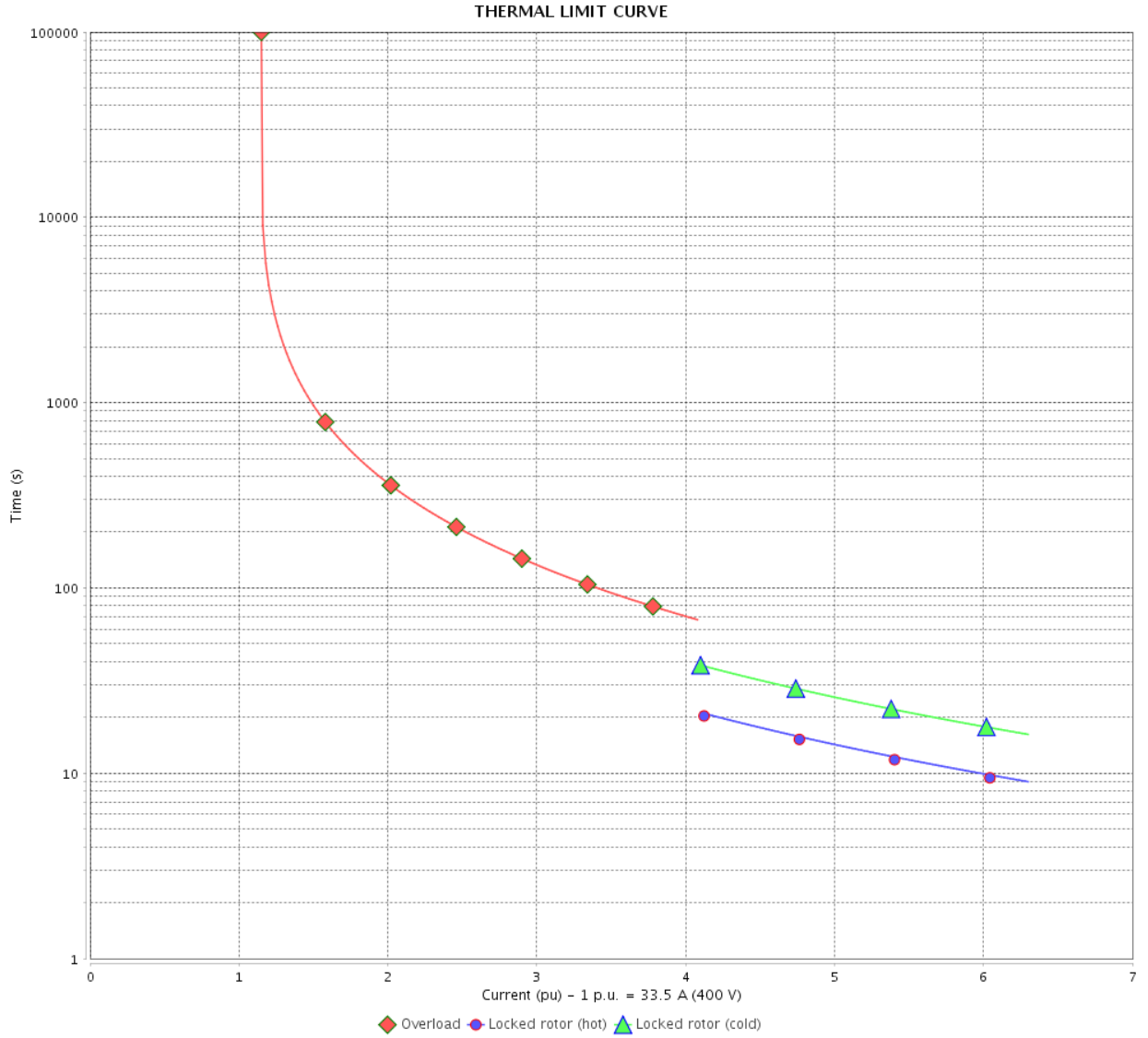
Rev.	Changes Summary	Performed	Checked	Date
Performed by				
Checked by			Page	Revision
Date	14/04/2022		4 / 6	

# THERMAL LIMIT CURVE

Three Phase Induction Motor - Squirrel Cage



Customer : \_\_\_\_\_



Rev.	Changes Summary	Performed	Checked	Date
Performed by				
Checked by				
Date				
			Page	Revision
			5 / 6	

# VFD OPERATION CURVE

Three Phase Induction Motor - Squirrel Cage



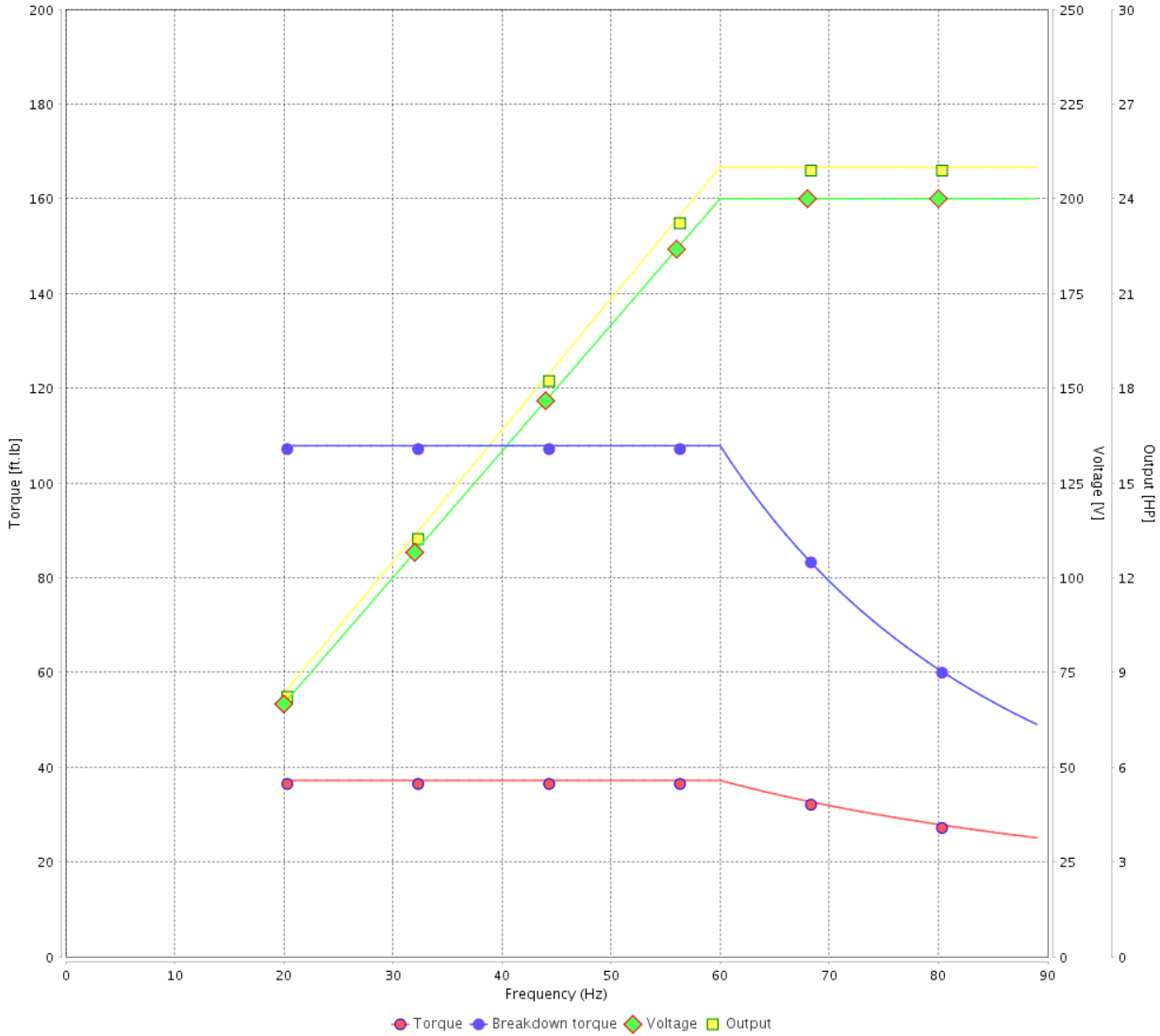
Customer : \_\_\_\_\_

Product line : JM Pump NEMA Premium Efficiency Three-Phase

Product code : 14332435

Catalog # : 02536OT3V256JMV-S

VFD OPERATION CURVE



Performance : 200/400 V 60 Hz 2P

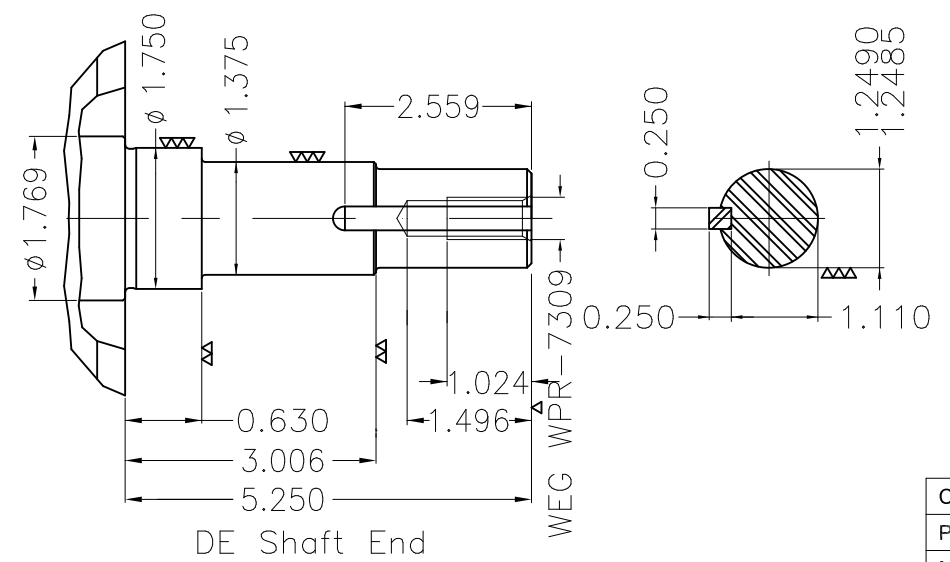
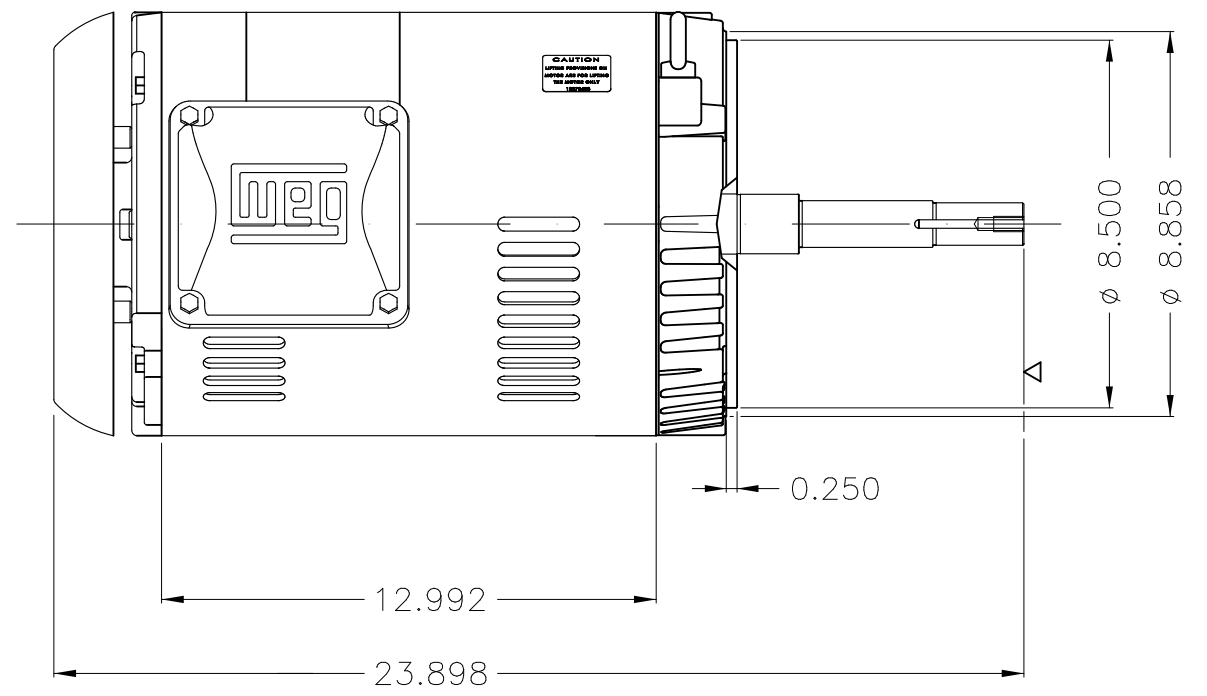
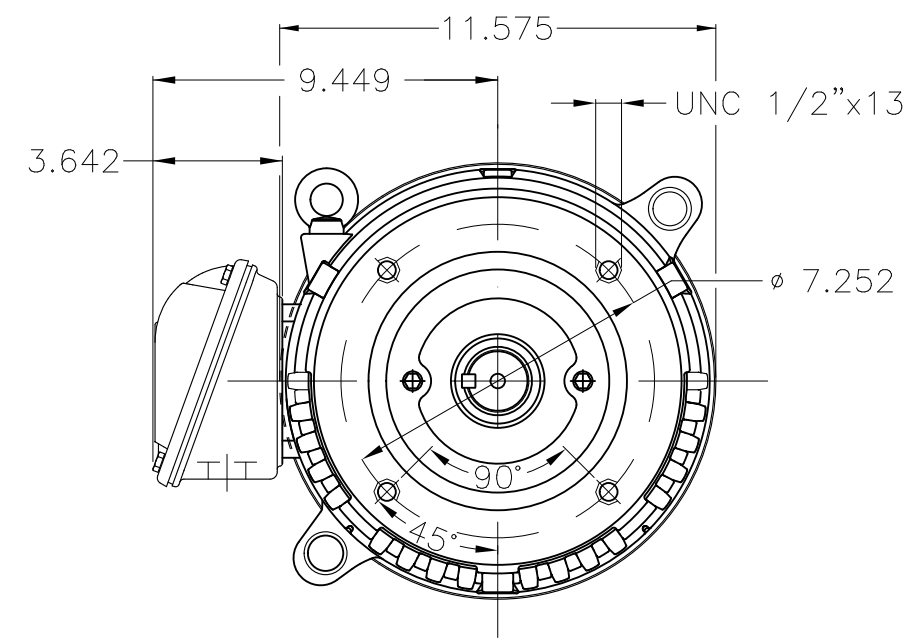
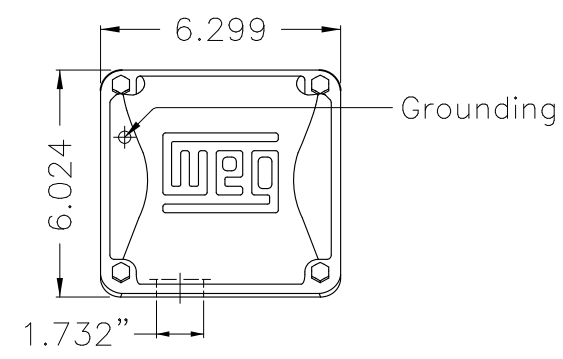
Rated current : 66.9/33.5 A  
 LRC : 6.3  
 Rated torque : 37.2 ft.lb  
 Locked rotor torque : 180 %  
 Breakdown torque : 290 %  
 Rated speed : 3530 rpm

Moment of inertia (J) : 0.9155 sq.ft.lb  
 Duty cycle : Cont.(S1)  
 Insulation class : F  
 Service factor : 1.15  
 Temperature rise : 80 K  
 Design : B

Rev.	Changes Summary	Performed	Checked	Date
Performed by			Page	Revision
Checked by				
Date				

1 2 3 4 5 6

A  
B  
C  
D  
E



EUNC 1/2"-13 WEG WPR-7309

DE Shaft End

Color Munsell N 1 matte black										
Painting plan 207N										
Mounting W-6/V18R(D)										
ECM	LOC	SUMMARY OF MODIFICATIONS				EXECUTED	CHECKED	RELEASED	DATE	VER
EXECUTED	PIRBUSER	THREE PH. MOTOR ROLLED STEEL CLOSE COUPLED PUMP JM TYPE PSE-RTF								
CHECKED		FRAME 254/6JM IP21 ODP								
RELEASED										
REL DT.		WMO	Jaragua do Sul	Product Engineering						

25 HP 02 Poles 60 Hz

WEG's property. Forbidden reproduction without previous authorization.

Dimensions in inches XME A3

