

DATA SHEET



Three Phase Induction Motor - Squirrel Cage

Customer :

Product line : JP Pump NEMA Premium Efficiency Three-Phase Product code : 14327745
 Catalog # : 02536OT3V256JP-S

Frame	: 254/6JP	Locked rotor time	: 16s (cold) 9s (hot)
Output	: 25 HP (18.5 kW)	Temperature rise	: 80 K
Poles	: 2	Duty cycle	: Cont.(S1)
Frequency	: 60 Hz	Ambient temperature	: -20°C to +40°C
Rated voltage	: 200/400 V	Altitude	: 1000 m.a.s.l.
Rated current	: 66.9/33.5 A	Cooling method	: IC01 - ODP
L. R. Amperes	: 422/211 A	Mounting	: F-1
LRC	: 6.3x(Code G)	Rotation ¹	: Both (CW and CCW)
No load current	: 26.2/13.1 A	Noise level ²	: 70.0 dB(A)
Rated speed	: 3530 rpm	Starting method	: Direct On Line
Slip	: 1.94 %	Approx. weight ³	: 174 lb
Rated torque	: 37.2 ft.lb		
Locked rotor torque	: 180 %		
Breakdown torque	: 290 %		
Insulation class	: F		
Service factor	: 1.15		
Moment of inertia (J)	: 0.9155 sq.ft.lb		
Design	: B		

Output	25%	50%	75%	100%	Foundation loads	
Efficiency (%)	90.8	91.0	91.7	91.7	Max. traction	: 430 lb
Power Factor	0.46	0.73	0.83	0.87	Max. compression	: 604 lb

	Drive end	Non drive end
Bearing type	: 6309 Z C3	: 6208 Z C3
Sealing	: Without Bearing Seal	: Without Bearing Seal
Lubrication interval	: 20000 h	: 20000 h
Lubricant amount	: 13 g	: 8 g
Lubricant type	: Mobil Polyrex EM	

Notes

This revision replaces and cancel the previous one, which must be eliminated.

- (1) Looking the motor from the shaft end.
- (2) Measured at 1m and with tolerance of +3dB(A).
- (3) Approximate weight subject to changes after manufacturing process.
- (4) At 100% of full load.

These are average values based on tests with sinusoidal power supply, subject to the tolerances stipulated in NEMA MG-1.

Rev.	Changes Summary	Performed	Checked	Date
Performed by		Page		Revision
Checked by		1 / 6		
Date	14/04/2022			

TORQUE AND CURRENT VS SPEED CURVE

Three Phase Induction Motor - Squirrel Cage



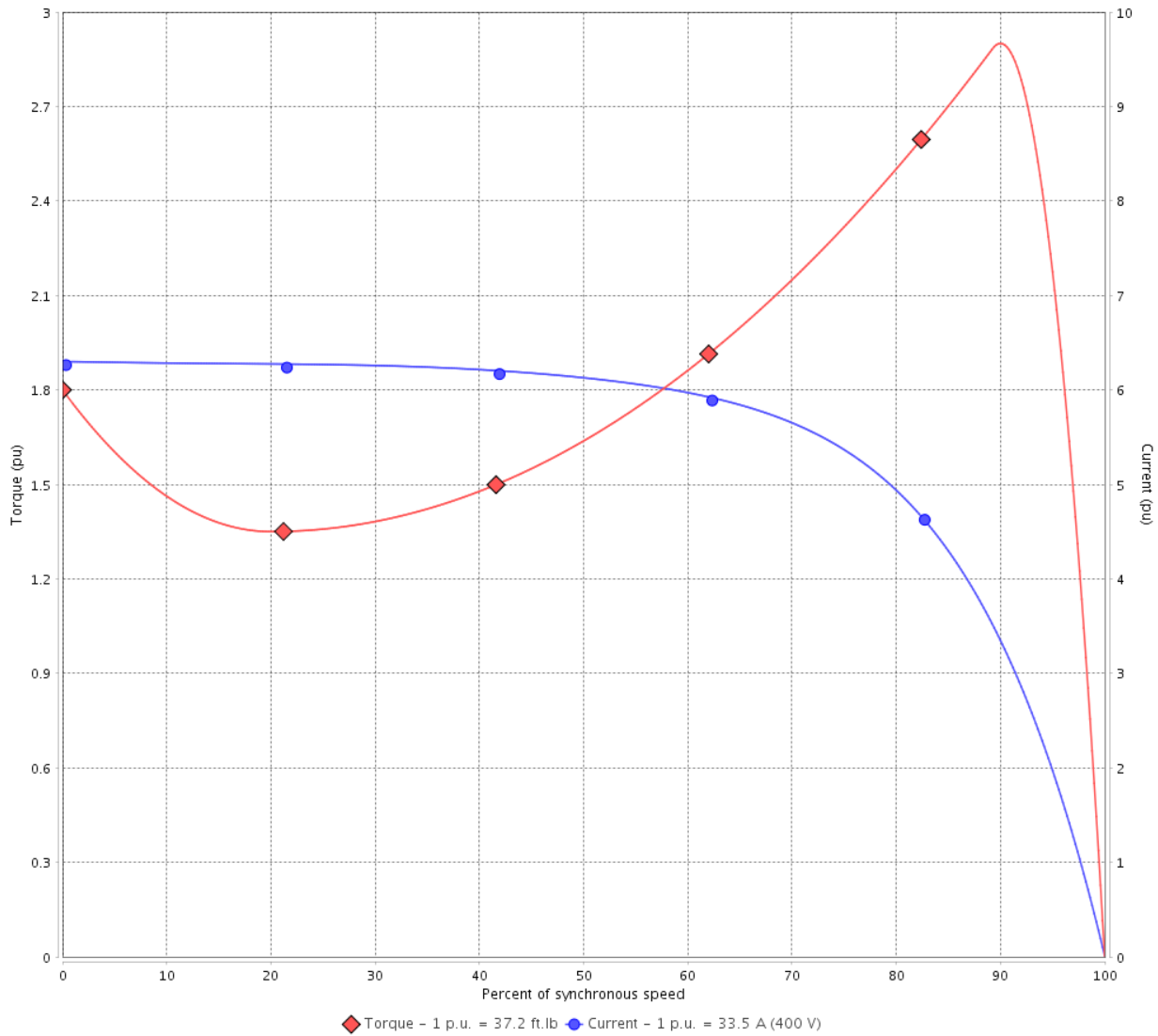
Customer :

Product line : JP Pump NEMA Premium
Efficiency Three-Phase

Product code : 14327745

Catalog # : 02536OT3V256JP-S

TORQUE AND CURRENT VS SPEED CURVE



Performance : 200/400 V 60 Hz 2P

Rated current : 66.9/33.5 A
LRC : 6.3
Rated torque : 37.2 ft.lb
Locked rotor torque : 180 %
Breakdown torque : 290 %
Rated speed : 3530 rpm

Moment of inertia (J) : 0.9155 sq.ft.lb
Duty cycle : Cont.(S1)
Insulation class : F
Service factor : 1.15
Temperature rise : 80 K
Design : B

Locked rotor time : 16s (cold) 9s (hot)

Rev.	Changes Summary	Performed	Checked	Date
Performed by			Page 2 / 6	Revision
Checked by				
Date	14/04/2022			

LOAD PERFORMANCE CURVE

Three Phase Induction Motor - Squirrel Cage

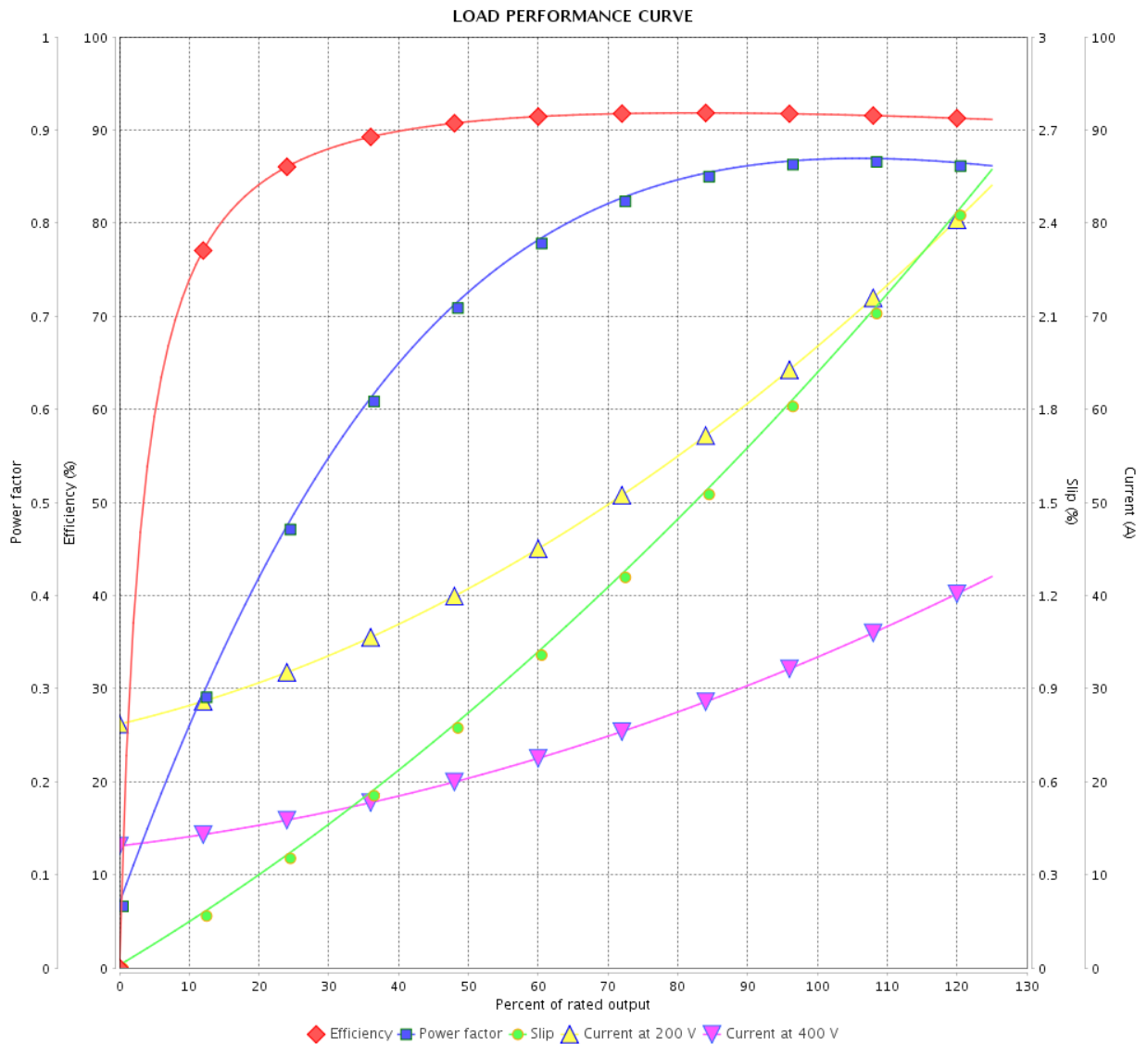


Customer :

Product line : JP Pump NEMA Premium Efficiency Three-Phase

Product code : 14327745

Catalog # : 02536OT3V256JP-S



Performance : 200/400 V 60 Hz 2P

Rated current : 66.9/33.5 A
 LRC : 6.3
 Rated torque : 37.2 ft.lb
 Locked rotor torque : 180 %
 Breakdown torque : 290 %
 Rated speed : 3530 rpm

Moment of inertia (J) : 0.9155 sq.ft.lb
 Duty cycle : Cont.(S1)
 Insulation class : F
 Service factor : 1.15
 Temperature rise : 80 K
 Design : B

Rev.	Changes Summary	Performed	Checked	Date
Performed by		Page		Revision
Checked by		3 / 6		
Date		14/04/2022		

THERMAL LIMIT CURVE



Three Phase Induction Motor - Squirrel Cage

Customer :

Product line : JP Pump NEMA Premium
Efficiency Three-Phase

Product code : 14327745

Catalog # : 02536OT3V256JP-S

Performance : 200/400 V 60 Hz 2P

Rated current : 66.9/33.5 A
LRC : 6.3
Rated torque : 37.2 ft.lb
Locked rotor torque : 180 %
Breakdown torque : 290 %
Rated speed : 3530 rpm

Moment of inertia (J) : 0.9155 sq.ft.lb
Duty cycle : Cont.(S1)
Insulation class : F
Service factor : 1.15
Temperature rise : 80 K
Design : B

Heating constant

Cooling constant

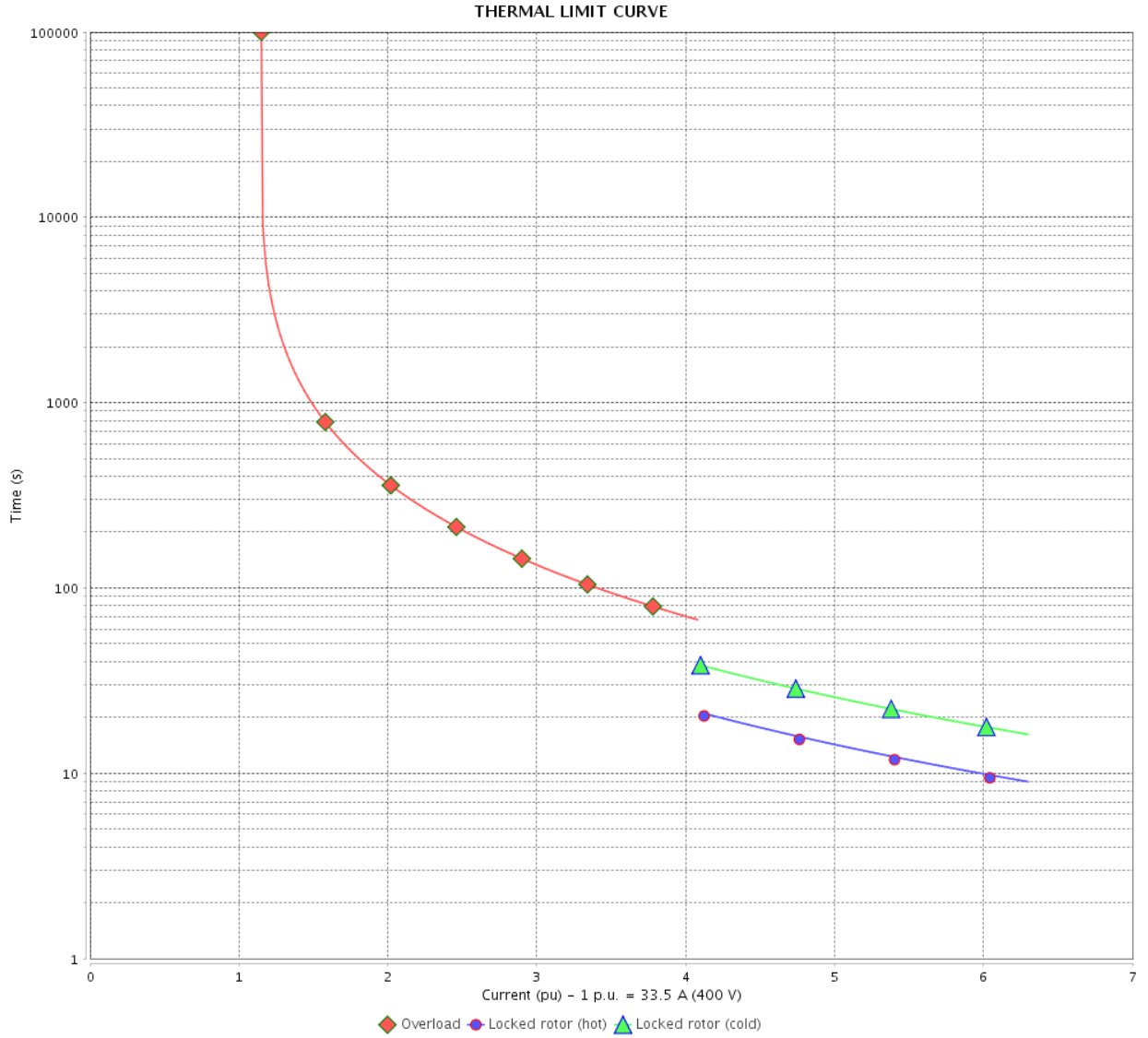
Rev.	Changes Summary	Performed	Checked	Date
Performed by				
Checked by			Page	Revision
Date	14/04/2022		4 / 6	

THERMAL LIMIT CURVE

Three Phase Induction Motor - Squirrel Cage



Customer : _____



Rev.	Changes Summary	Performed	Checked	Date
Performed by				
Checked by				
Date				
			Page	Revision
			5 / 6	

VFD OPERATION CURVE

Three Phase Induction Motor - Squirrel Cage

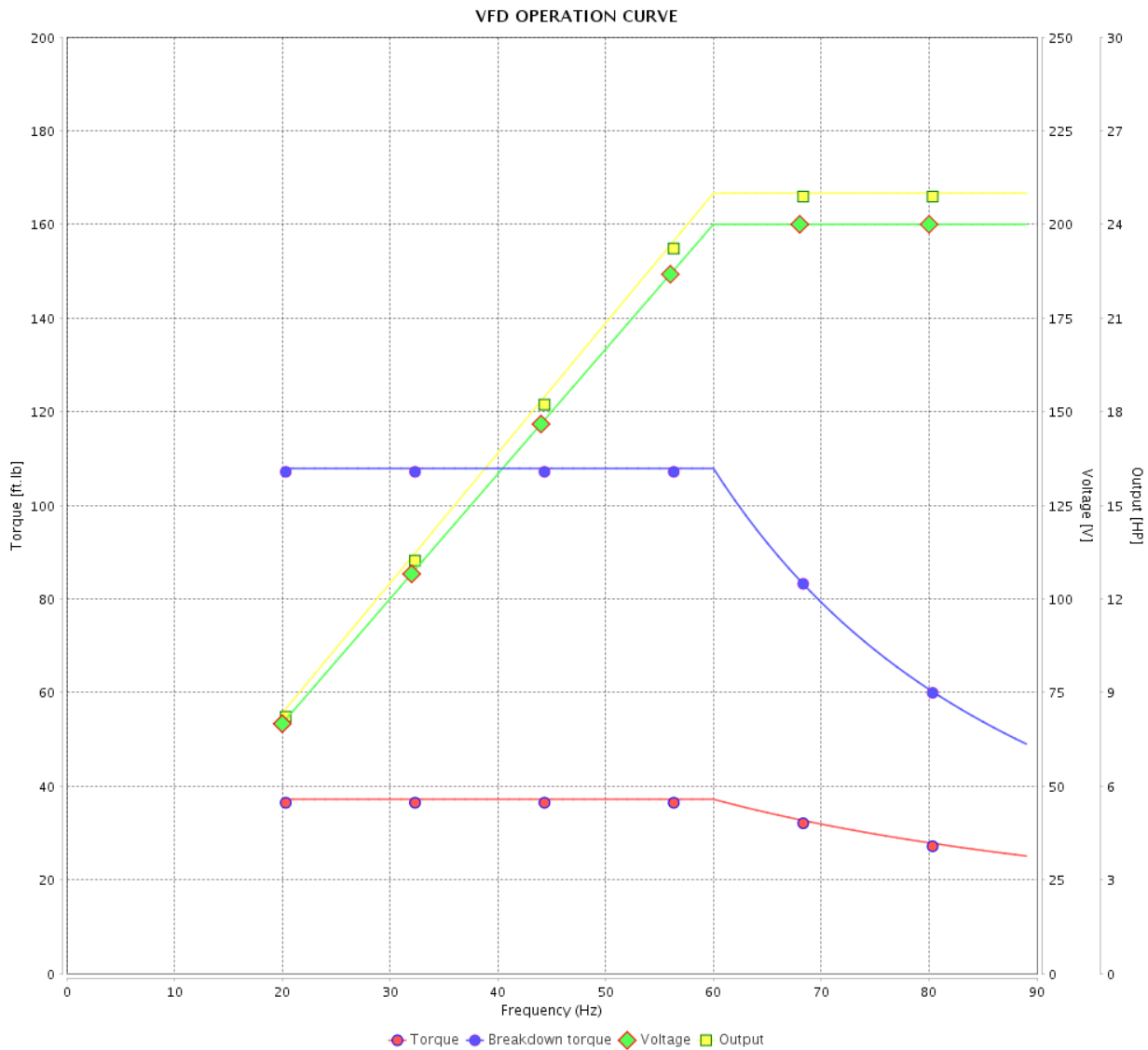


Customer : _____

Product line : JP Pump NEMA Premium Efficiency Three-Phase

Product code : 14327745

Catalog # : 02536OT3V256JP-S



Performance : 200/400 V 60 Hz 2P

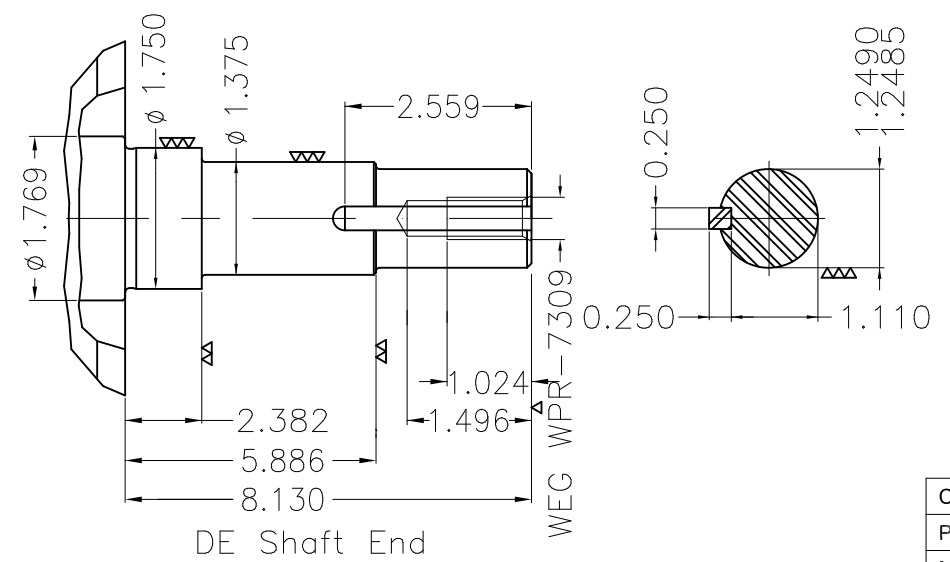
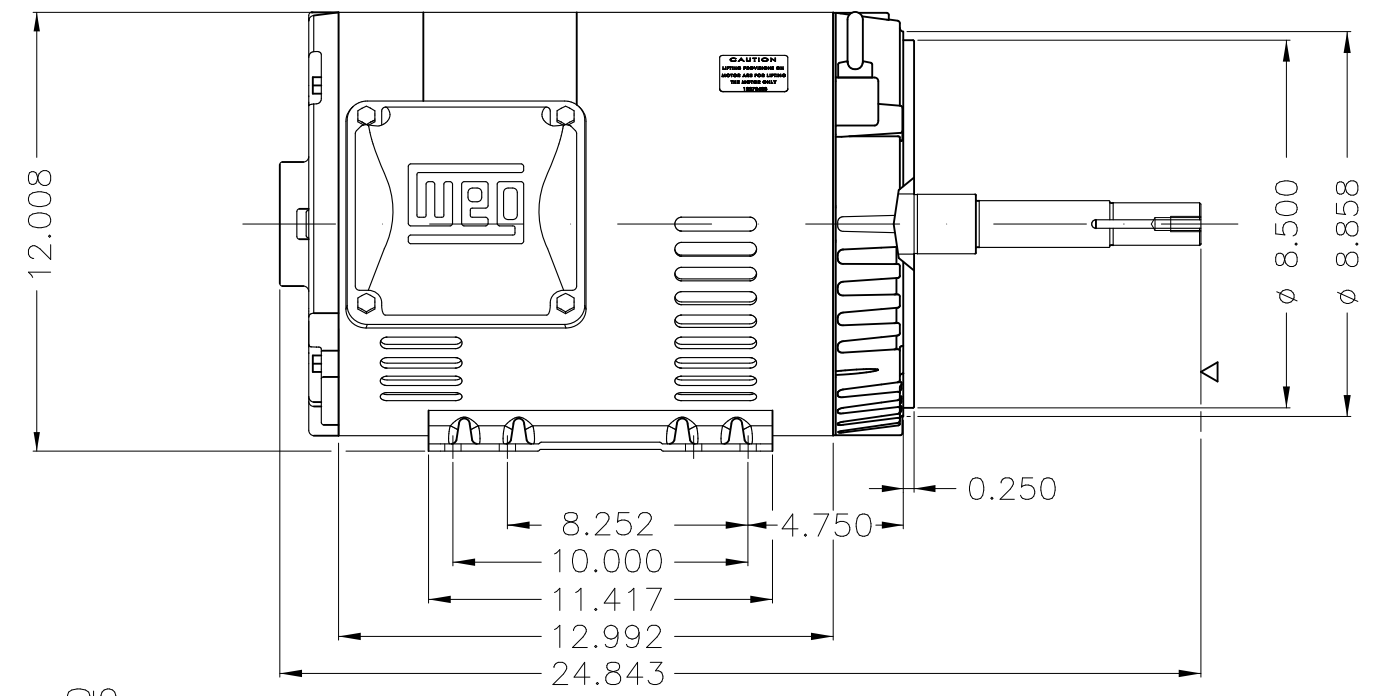
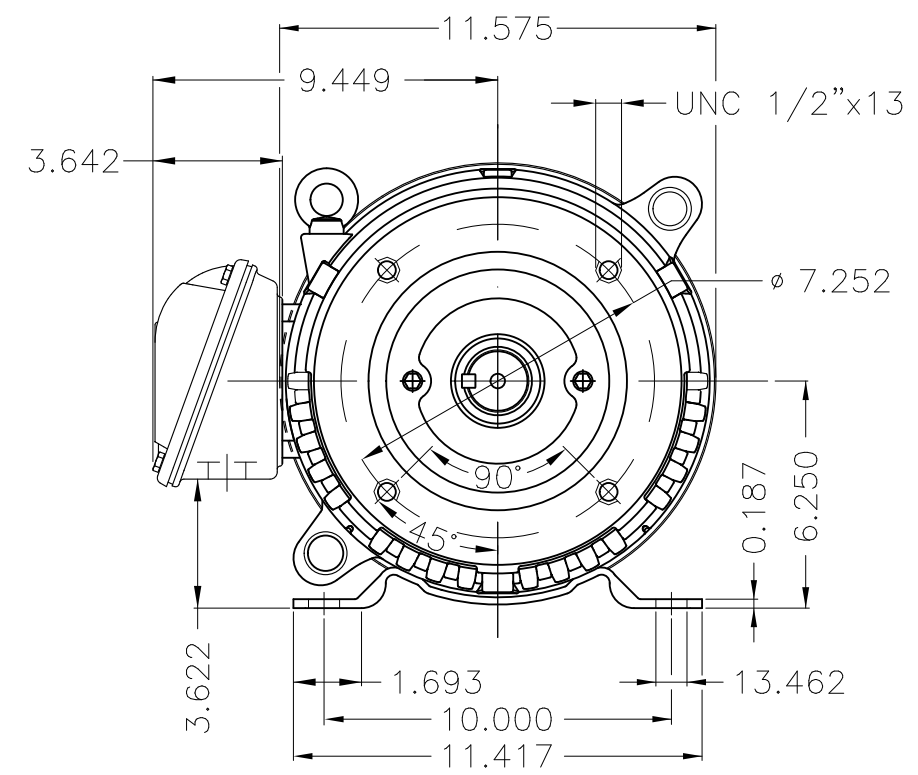
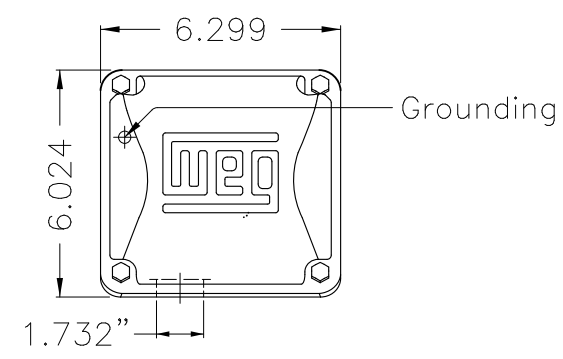
Rated current : 66.9/33.5 A
 LRC : 6.3
 Rated torque : 37.2 ft.lb
 Locked rotor torque : 180 %
 Breakdown torque : 290 %
 Rated speed : 3530 rpm

Moment of inertia (J) : 0.9155 sq.ft.lb
 Duty cycle : Cont.(S1)
 Insulation class : F
 Service factor : 1.15
 Temperature rise : 80 K
 Design : B

Rev.	Changes Summary	Performed	Checked	Date
Performed by			Page 6 / 6	Revision
Checked by				
Date	14/04/2022			

1 2 3 4 5 6

A
B
C
D
E



EUNC 1/2"-13 WEG WPR-7309

DE Shaft End

Color Munsell N 1 matte black									
Painting plan 207N									
Mounting F-1/B34R(D)									
ECM	LOC	SUMMARY OF MODIFICATIONS			EXECUTED	CHECKED	RELEASED	DATE	VER
EXECUTED	PIRBUSER	THREE PH. MOTOR ROLLED STEEL CLOSE COUPLED PUMP JP 3/4 DE PREMETS							
CHECKED		FRAME 254/6JP IP21 ODP							
RELEASED									
REL DT.		WMO	Jaragua do Sul	Product Engineering					

PREVIEW

WDD



25 HP 02 Poles 60 Hz