

DATA SHEET



Three Phase Induction Motor - Squirrel Cage

Customer :																			
Product line	: NEMA Premium Efficiency Three-Phase																		
Product code :	14387126																		
Catalog # :	03012ET3H326T-W22G																		
Frame : 324/6T Output : 30 HP (22 kW) Poles : 6 Frequency : 60 Hz Rated voltage : 575 V Rated current : 29.0 A L. R. Amperes : 180 A LRC : 6.2x(Code G) No load current : 11.6 A Rated speed : 1180 rpm Slip : 1.67 % Rated torque : 134 ft.lb Locked rotor torque : 220 % Breakdown torque : 240 % Insulation class : F Service factor : 1.25 Moment of inertia (J) : 13.2 sq.ft.lb Design : B	Locked rotor time : 37s (cold) 21s (hot) Temperature rise : 80 K Duty cycle : Cont.(S1) Ambient temperature : -20°C to +40°C Altitude : 1000 m.a.s.l. Protection degree : IP55 Cooling method : IC411 - TEFC Mounting : F-1 Rotation ¹ : Both (CW and CCW) Noise level ² : 62.0 dB(A) Starting method : Direct On Line Approx. weight ³ : 628 lb																		
Output	25% 50% 75% 100%																		
Efficiency (%)	91.5 91.7 93.0 93.0																		
Power Factor	0.41 0.65 0.76 0.82																		
Foundation loads																			
Max. traction : 916 lb																			
Max. compression : 1544 lb																			
	<table border="0"> <tr> <td></td> <td style="text-align: center;"><u>Drive end</u></td> <td style="text-align: center;"><u>Non drive end</u></td> </tr> <tr> <td>Bearing type :</td> <td style="text-align: center;">6312 C3</td> <td style="text-align: center;">6212 C3</td> </tr> <tr> <td>Sealing :</td> <td style="text-align: center;">V'Ring</td> <td style="text-align: center;">V'Ring</td> </tr> <tr> <td>Lubrication interval :</td> <td style="text-align: center;">20000 h</td> <td style="text-align: center;">20000 h</td> </tr> <tr> <td>Lubricant amount :</td> <td style="text-align: center;">21 g</td> <td style="text-align: center;">13 g</td> </tr> <tr> <td>Lubricant type :</td> <td colspan="2" style="text-align: center;">Mobil Polyrex EM</td> </tr> </table>		<u>Drive end</u>	<u>Non drive end</u>	Bearing type :	6312 C3	6212 C3	Sealing :	V'Ring	V'Ring	Lubrication interval :	20000 h	20000 h	Lubricant amount :	21 g	13 g	Lubricant type :	Mobil Polyrex EM	
	<u>Drive end</u>	<u>Non drive end</u>																	
Bearing type :	6312 C3	6212 C3																	
Sealing :	V'Ring	V'Ring																	
Lubrication interval :	20000 h	20000 h																	
Lubricant amount :	21 g	13 g																	
Lubricant type :	Mobil Polyrex EM																		
Notes																			
This revision replaces and cancel the previous one, which must be eliminated. (1) Looking the motor from the shaft end. (2) Measured at 1m and with tolerance of +3dB(A). (3) Approximate weight subject to changes after manufacturing process. (4) At 100% of full load.																			
These are average values based on tests with sinusoidal power supply, subject to the tolerances stipulated in NEMA MG-1.																			
Rev.	Changes Summary	Performed	Checked	Date															
Performed by																			
Checked by			Page	Revision															
Date	14/04/2022		1 / 6																

TORQUE AND CURRENT VS SPEED CURVE

Three Phase Induction Motor - Squirrel Cage



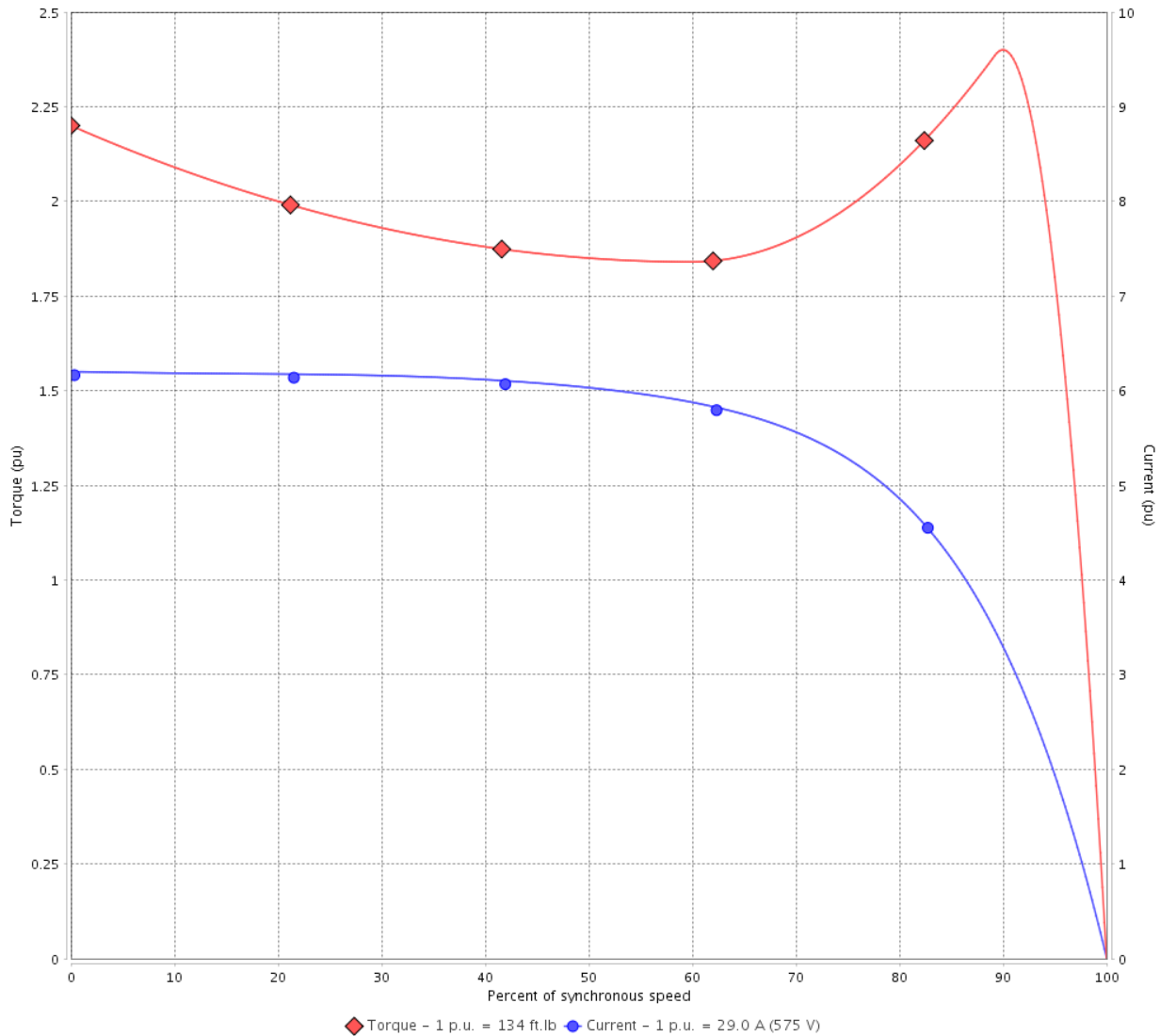
Customer :

Product line : NEMA Premium Efficiency Three-Phase

Product code : 14387126

Catalog # : 03012ET3H326T-W22G

TORQUE AND CURRENT VS SPEED CURVE



Performance : 575 V 60 Hz 6P

Rated current	: 29.0 A	Moment of inertia (J)	: 13.2 sq.ft.lb
LRC	: 6.2	Duty cycle	: Cont.(S1)
Rated torque	: 134 ft.lb	Insulation class	: F
Locked rotor torque	: 220 %	Service factor	: 1.25
Breakdown torque	: 240 %	Temperature rise	: 80 K
Rated speed	: 1180 rpm	Design	: B

Locked rotor time : 37s (cold) 21s (hot)

Rev.	Changes Summary	Performed	Checked	Date
Performed by			Page 2 / 6	Revision
Checked by				
Date	14/04/2022			

LOAD PERFORMANCE CURVE

Three Phase Induction Motor - Squirrel Cage

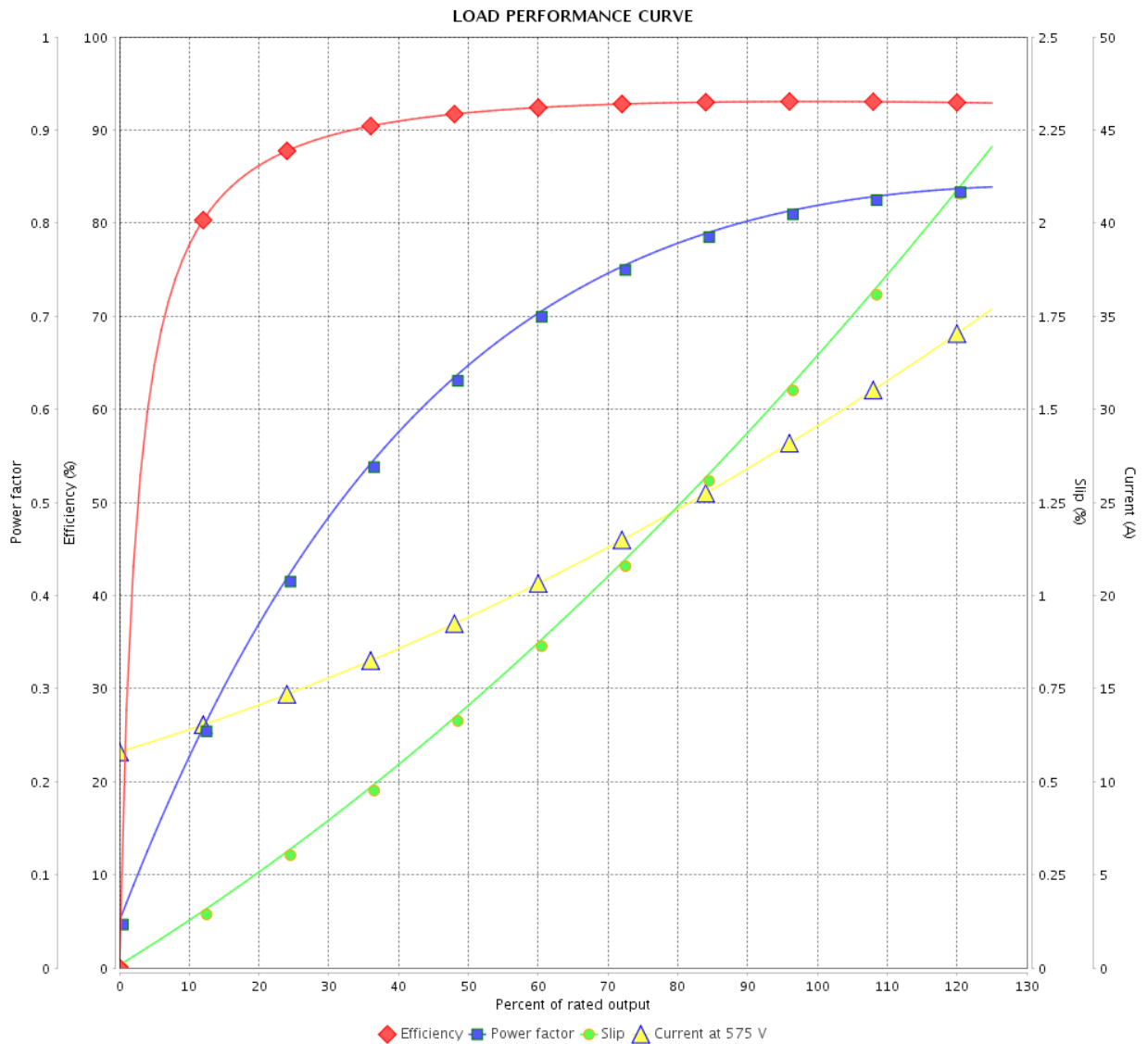


Customer : _____

Product line : NEMA Premium Efficiency Three-Phase

Product code : 14387126

Catalog # : 03012ET3H326T-W22G



Performance : 575 V 60 Hz 6P

Rated current : 29.0 A
 LRC : 6.2
 Rated torque : 134 ft.lb
 Locked rotor torque : 220 %
 Breakdown torque : 240 %
 Rated speed : 1180 rpm

Moment of inertia (J) : 13.2 sq.ft.lb
 Duty cycle : Cont.(S1)
 Insulation class : F
 Service factor : 1.25
 Temperature rise : 80 K
 Design : B

Rev.	Changes Summary	Performed	Checked	Date
Performed by		Page		Revision
Checked by		3 / 6		
Date		14/04/2022		

THERMAL LIMIT CURVE



Three Phase Induction Motor - Squirrel Cage

Customer :

Product line : NEMA Premium Efficiency Three-Phase

Product code : 14387126

Catalog # : 03012ET3H326T-W22G

Performance : 575 V 60 Hz 6P

Rated current	: 29.0 A	Moment of inertia (J)	: 13.2 sq.ft.lb
LRC	: 6.2	Duty cycle	: Cont.(S1)
Rated torque	: 134 ft.lb	Insulation class	: F
Locked rotor torque	: 220 %	Service factor	: 1.25
Breakdown torque	: 240 %	Temperature rise	: 80 K
Rated speed	: 1180 rpm	Design	: B

Heating constant

Cooling constant

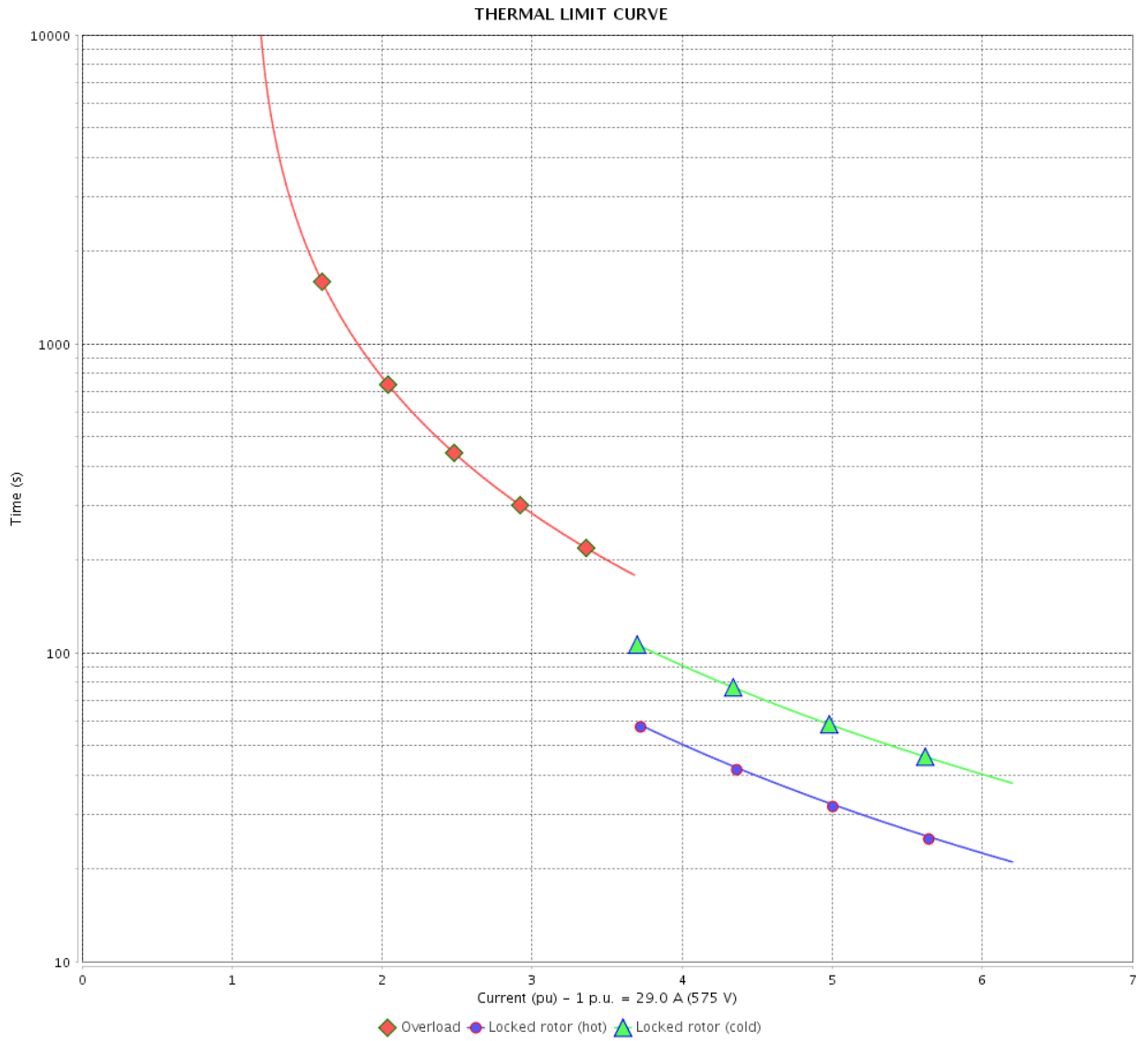
Rev.	Changes Summary	Performed	Checked	Date
Performed by				
Checked by			Page	Revision
Date	14/04/2022		4 / 6	

THERMAL LIMIT CURVE

Three Phase Induction Motor - Squirrel Cage



Customer : _____



Rev.	Changes Summary	Performed	Checked	Date
Performed by		Page 5 / 6		Revision
Checked by				
Date				

VFD OPERATION CURVE

Three Phase Induction Motor - Squirrel Cage

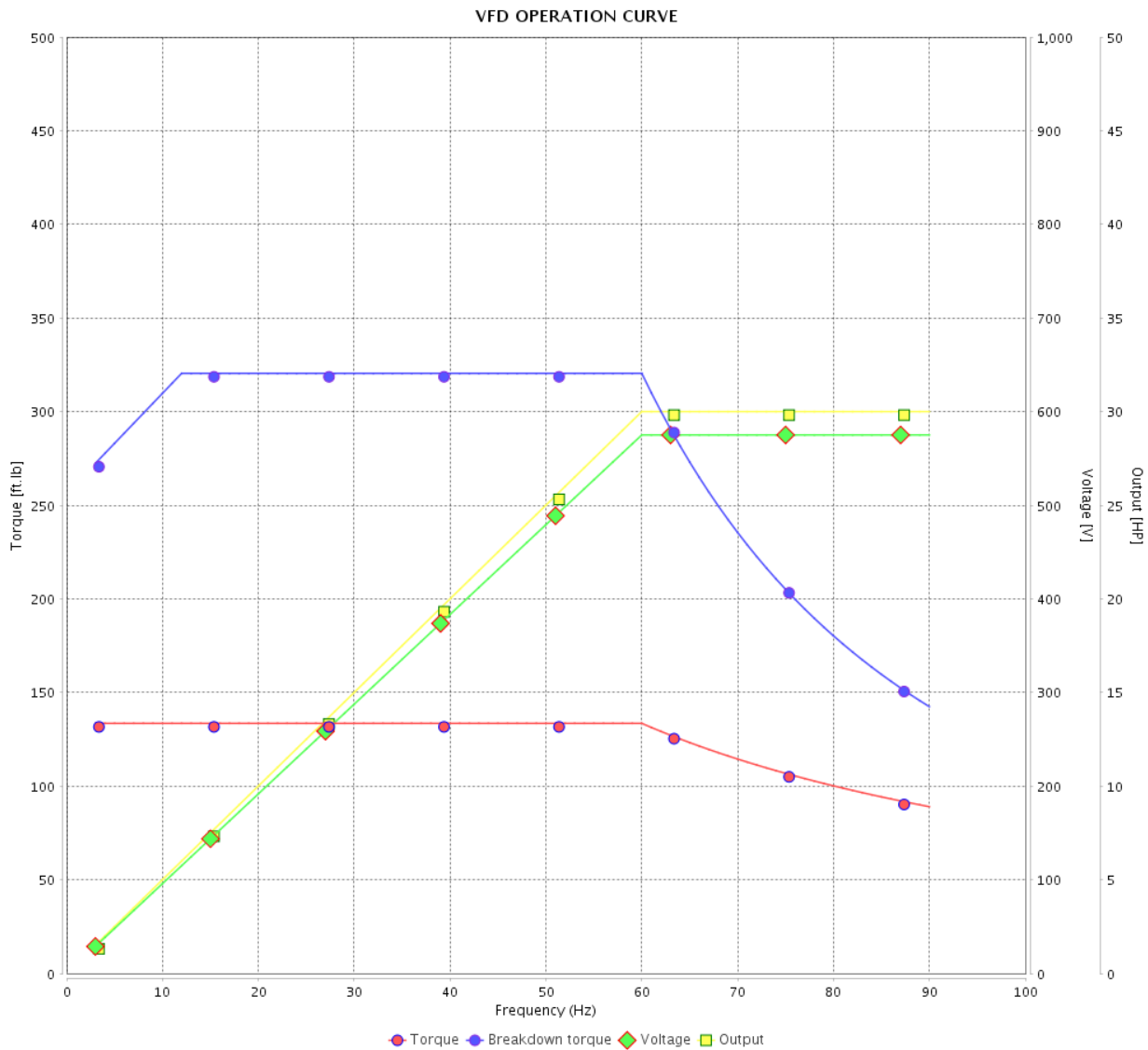


Customer :

Product line : NEMA Premium Efficiency Three-Phase

Product code : 14387126

Catalog # : 03012ET3H326T-W22G



Performance : 575 V 60 Hz 6P

Rated current	: 29.0 A	Moment of inertia (J)	: 13.2 sq.ft.lb
LRC	: 6.2	Duty cycle	: Cont.(S1)
Rated torque	: 134 ft.lb	Insulation class	: F
Locked rotor torque	: 220 %	Service factor	: 1.25
Breakdown torque	: 240 %	Temperature rise	: 80 K
Rated speed	: 1180 rpm	Design	: B

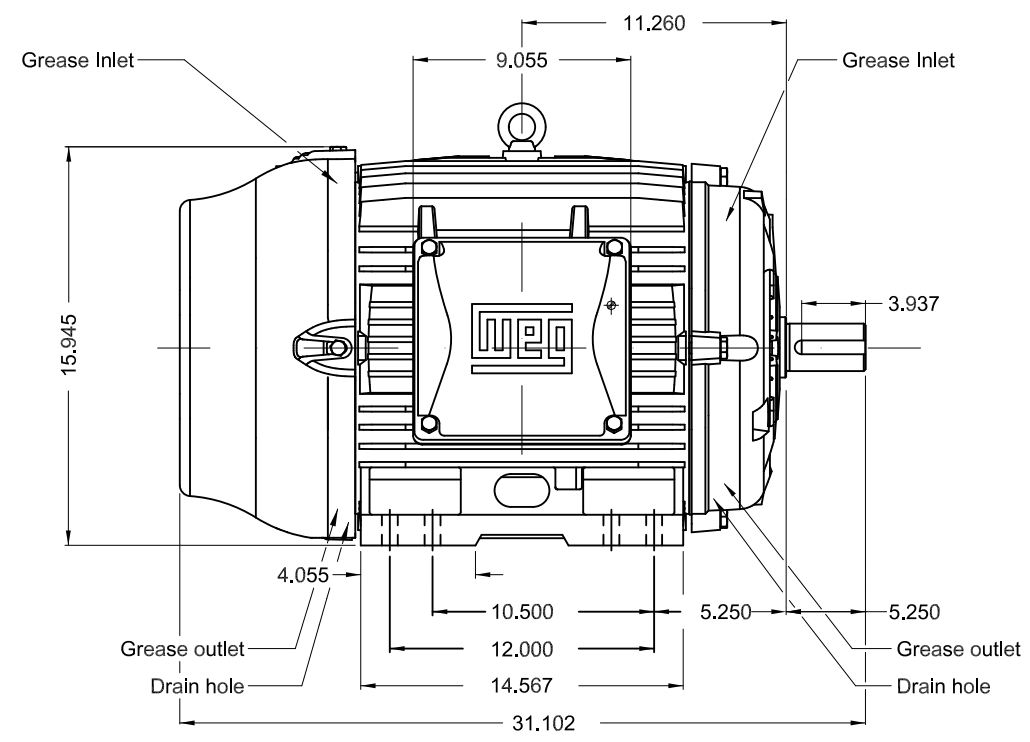
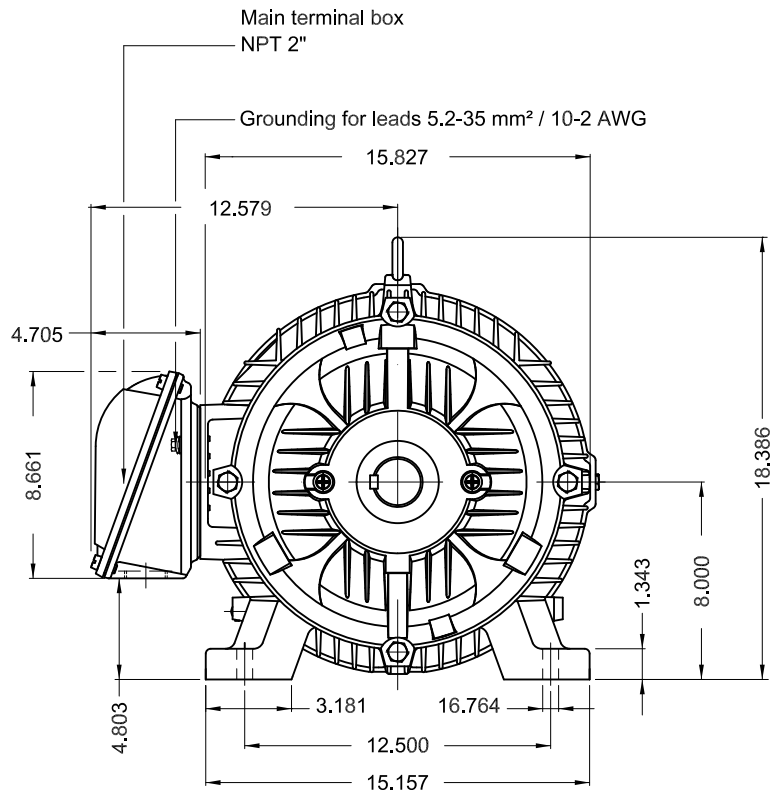
Rev.	Changes Summary	Performed	Checked	Date
Performed by			Page 6 / 6	Revision
Checked by				
Date	14/04/2022			

1 2 3 4 5 6

A

B

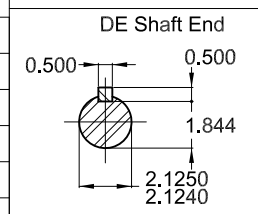
C



D

E

- Without vertical jackscrews
- Internal AEGIS ground ring on the DE
- Color RAL 5009
- Painting plan 203A
- Mounting NEMA F-1
- Mounting B3R(D)



30 HP 06 Poles 60 Hz A

ECM	LOC	SUMMARY OF MODIFICATIONS	EXECUTED	CHECKED	RELEASED	DATE	VER
EXECUTED	PIRWBUSER	THREE PH. MOTOR W22 PREM. EFF.					
CHECKED		FRAME 324/6T IP55 TEFC					
RELEASED							
REL DT.	WMO	Jaragua do Sul	Product Engineering	SHEET 1 / 1			

PREVIEW
WDD

