



# TORQUE AND CURRENT VS SPEED CURVE

Three Phase Induction Motor - Squirrel Cage



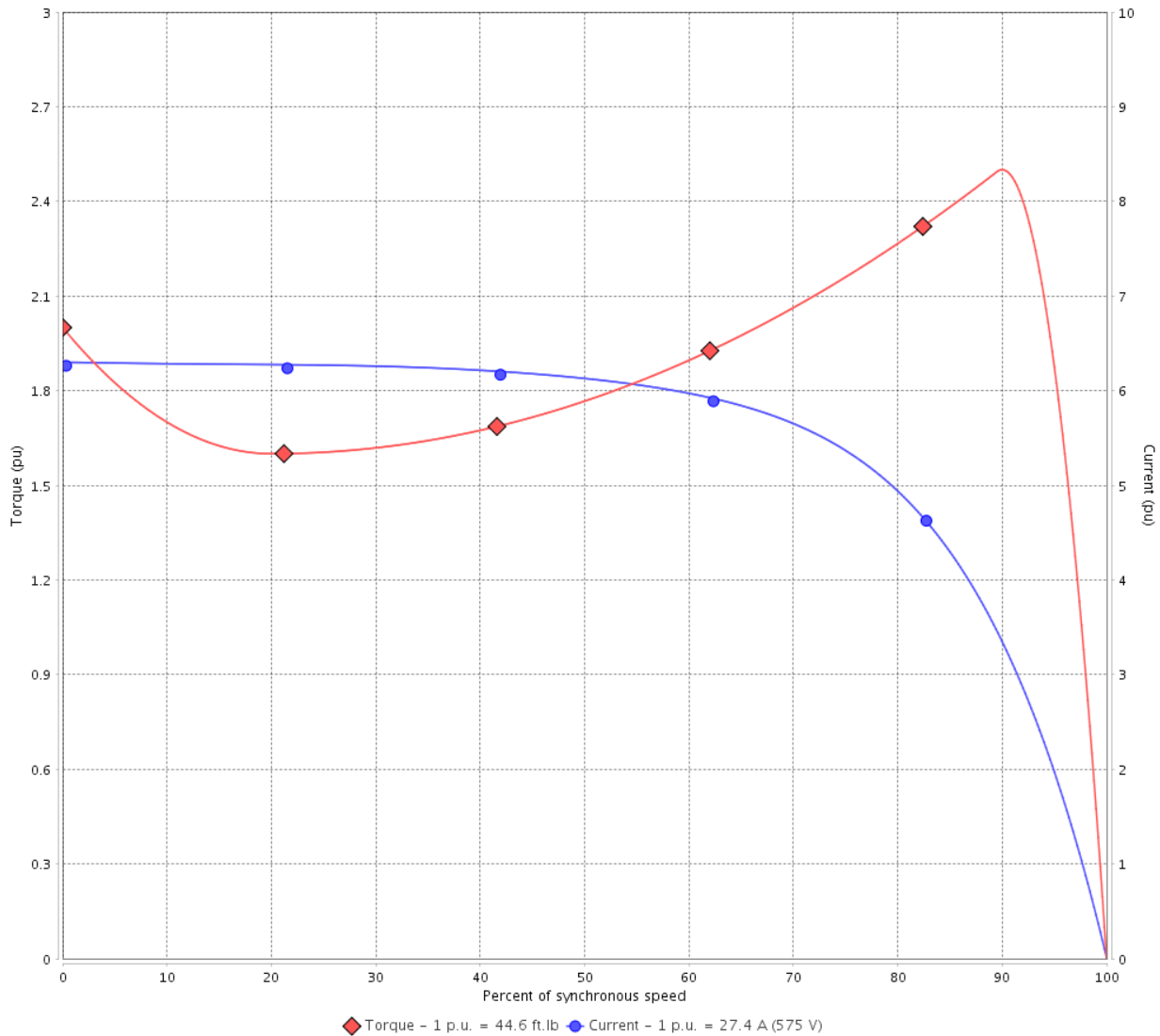
Customer :

Product line : NEMA Premium Efficiency Three-Phase

Product code : 12712156

Catalog # : 03036ET3H286JM-W22

TORQUE AND CURRENT VS SPEED CURVE



Performance : 575 V 60 Hz 2P

Rated current	: 27.4 A	Moment of inertia (J)	: 3.37 sq.ft.lb
LRC	: 6.3	Duty cycle	: Cont.(S1)
Rated torque	: 44.6 ft.lb	Insulation class	: F
Locked rotor torque	: 200 %	Service factor	: 1.25
Breakdown torque	: 250 %	Temperature rise	: 80 K
Rated speed	: 3540 rpm	Design	: B

Locked rotor time : 27s (cold) 15s (hot)

Rev.	Changes Summary	Performed	Checked	Date
Performed by			Page 2 / 6	Revision
Checked by				
Date	14/04/2022			

# LOAD PERFORMANCE CURVE

## Three Phase Induction Motor - Squirrel Cage

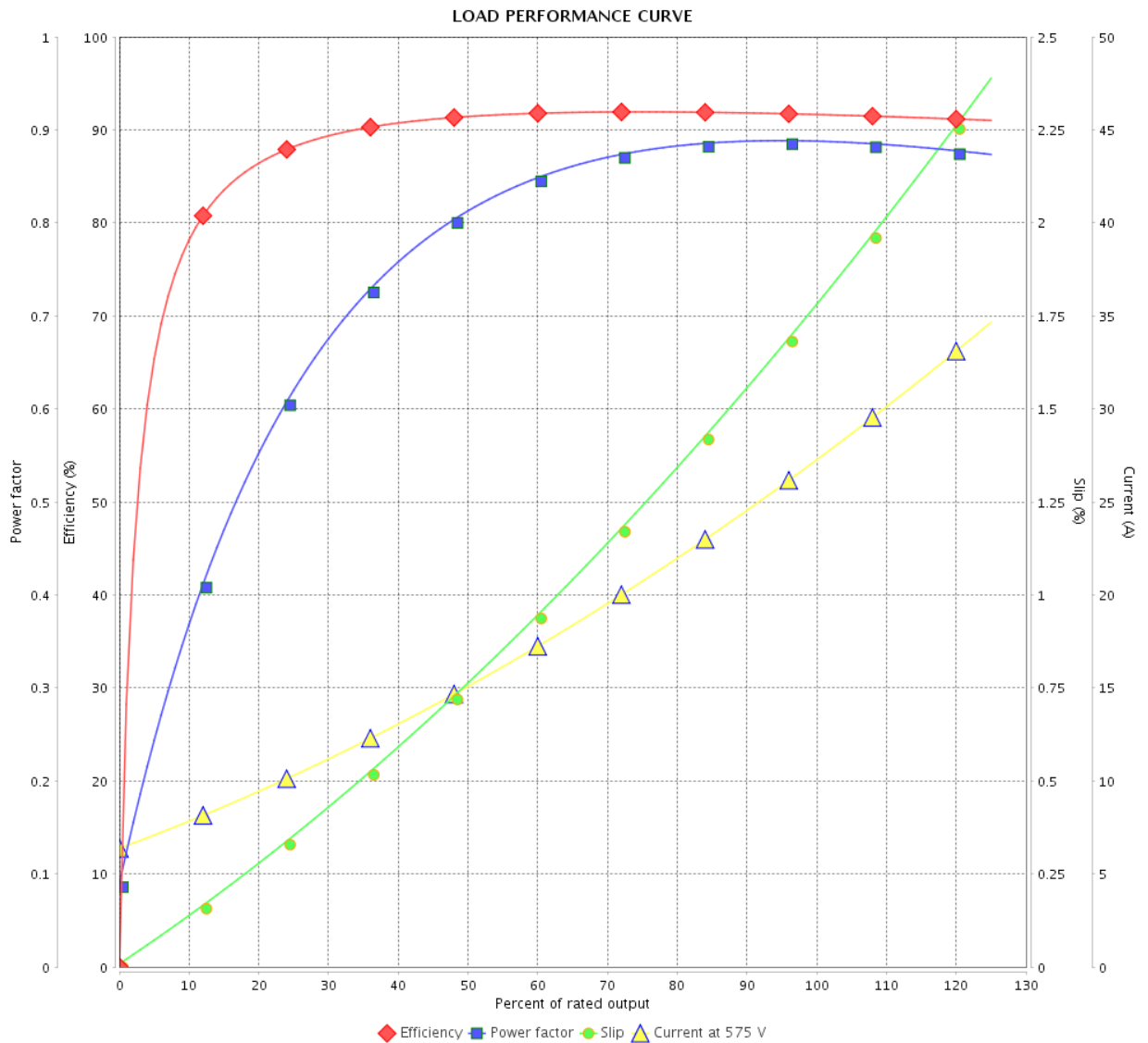


Customer :

Product line : NEMA Premium Efficiency Three-Phase

Product code : 12712156

Catalog # : 03036ET3H286JM-W22



Performance : 575 V 60 Hz 2P

Rated current : 27.4 A  
 LRC : 6.3  
 Rated torque : 44.6 ft.lb  
 Locked rotor torque : 200 %  
 Breakdown torque : 250 %  
 Rated speed : 3540 rpm

Moment of inertia (J) : 3.37 sq.ft.lb  
 Duty cycle : Cont.(S1)  
 Insulation class : F  
 Service factor : 1.25  
 Temperature rise : 80 K  
 Design : B

Rev.	Changes Summary	Performed	Checked	Date
Performed by			Page	Revision
Checked by			3 / 6	
Date	14/04/2022			

# THERMAL LIMIT CURVE

## Three Phase Induction Motor - Squirrel Cage



Customer :

Product line : NEMA Premium Efficiency Three-Phase  
Product code : 12712156  
Catalog # : 03036ET3H286JM-W22

Performance : 575 V 60 Hz 2P

Rated current	: 27.4 A	Moment of inertia (J)	: 3.37 sq.ft.lb
LRC	: 6.3	Duty cycle	: Cont.(S1)
Rated torque	: 44.6 ft.lb	Insulation class	: F
Locked rotor torque	: 200 %	Service factor	: 1.25
Breakdown torque	: 250 %	Temperature rise	: 80 K
Rated speed	: 3540 rpm	Design	: B

Heating constant

Cooling constant

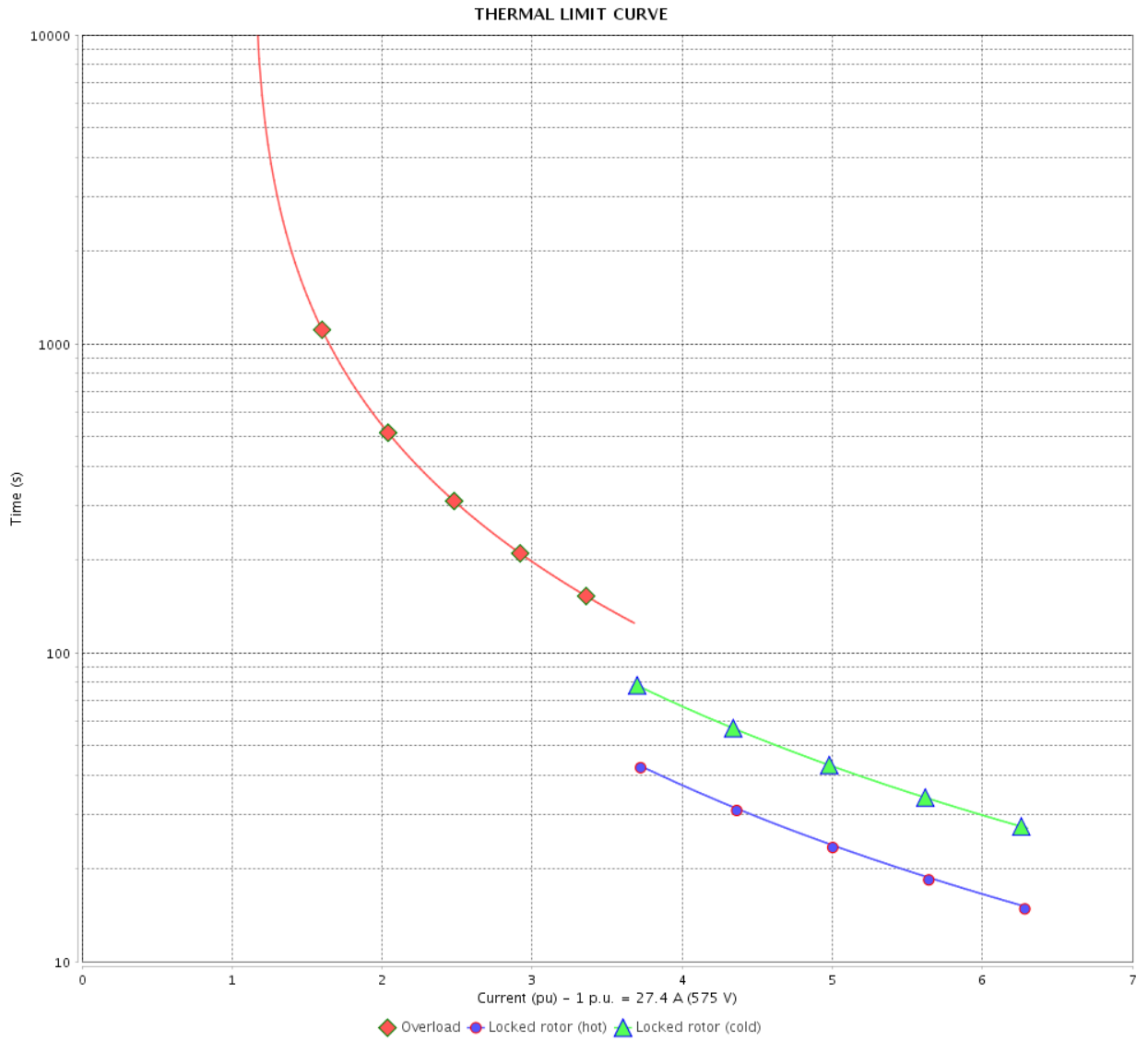
Rev.	Changes Summary	Performed	Checked	Date
Performed by				
Checked by			Page	Revision
Date	14/04/2022		4 / 6	

# THERMAL LIMIT CURVE

Three Phase Induction Motor - Squirrel Cage



Customer : \_\_\_\_\_



Rev.	Changes Summary	Performed	Checked	Date
Performed by		Page 5 / 6		Revision
Checked by				
Date				

# VFD OPERATION CURVE

Three Phase Induction Motor - Squirrel Cage

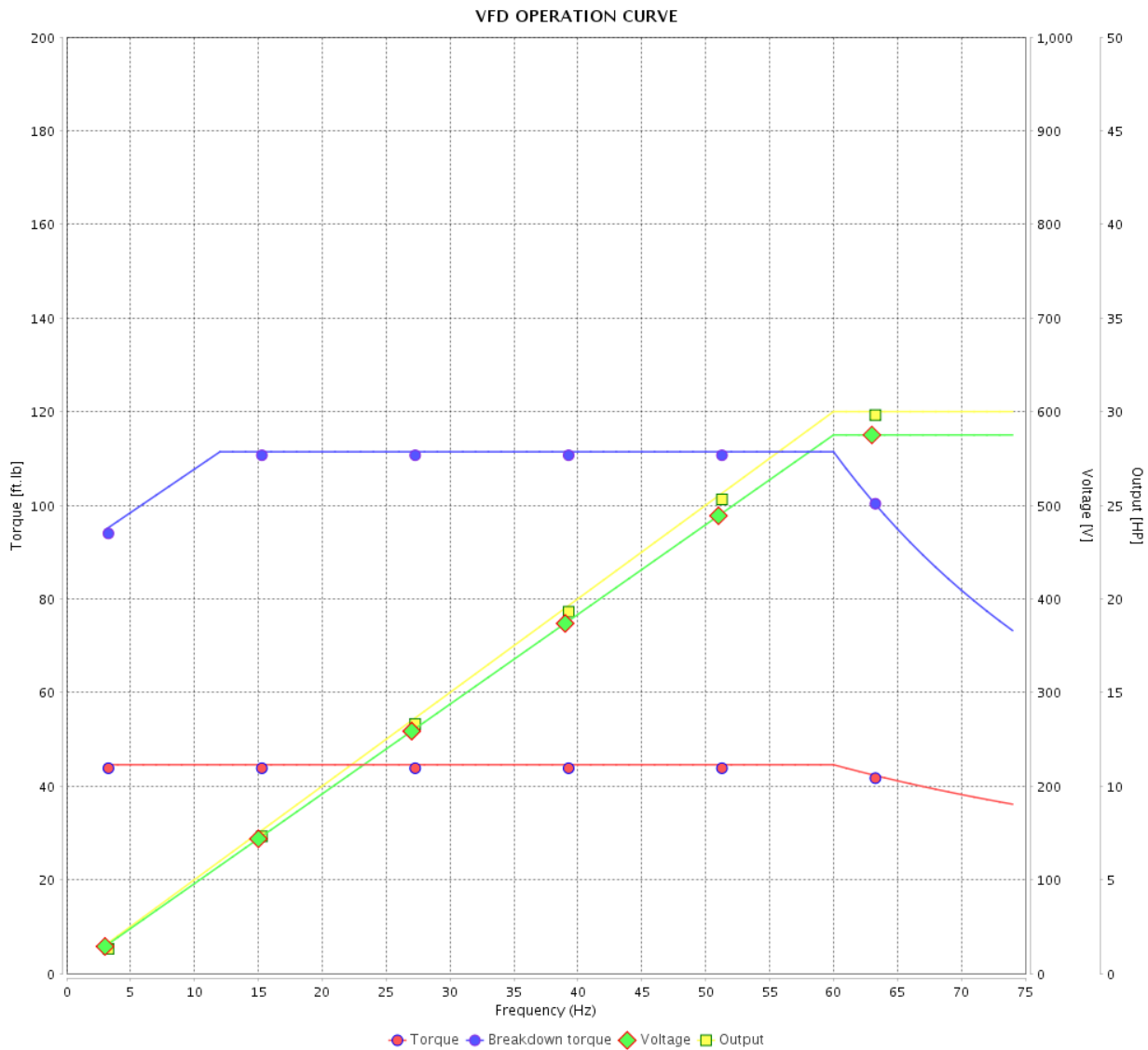


Customer :

Product line : NEMA Premium Efficiency Three-Phase

Product code : 12712156

Catalog # : 03036ET3H286JM-W22



Performance : 575 V 60 Hz 2P

Rated current : 27.4 A  
 LRC : 6.3  
 Rated torque : 44.6 ft.lb  
 Locked rotor torque : 200 %  
 Breakdown torque : 250 %  
 Rated speed : 3540 rpm

Moment of inertia (J) : 3.37 sq.ft.lb  
 Duty cycle : Cont.(S1)  
 Insulation class : F  
 Service factor : 1.25  
 Temperature rise : 80 K  
 Design : B

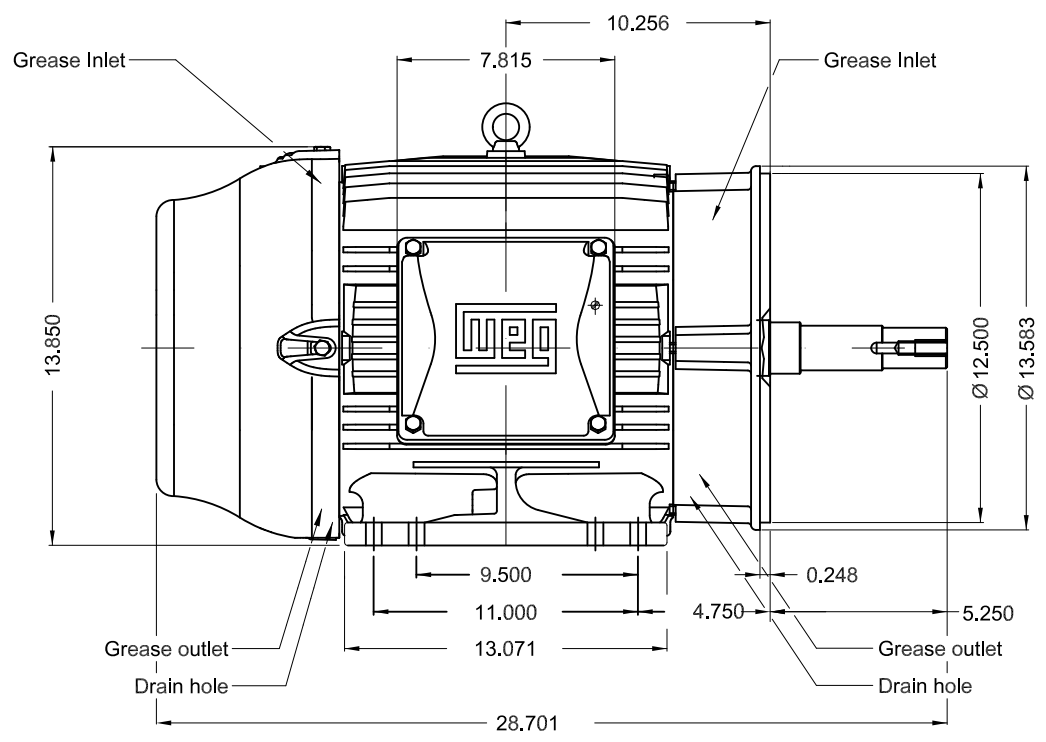
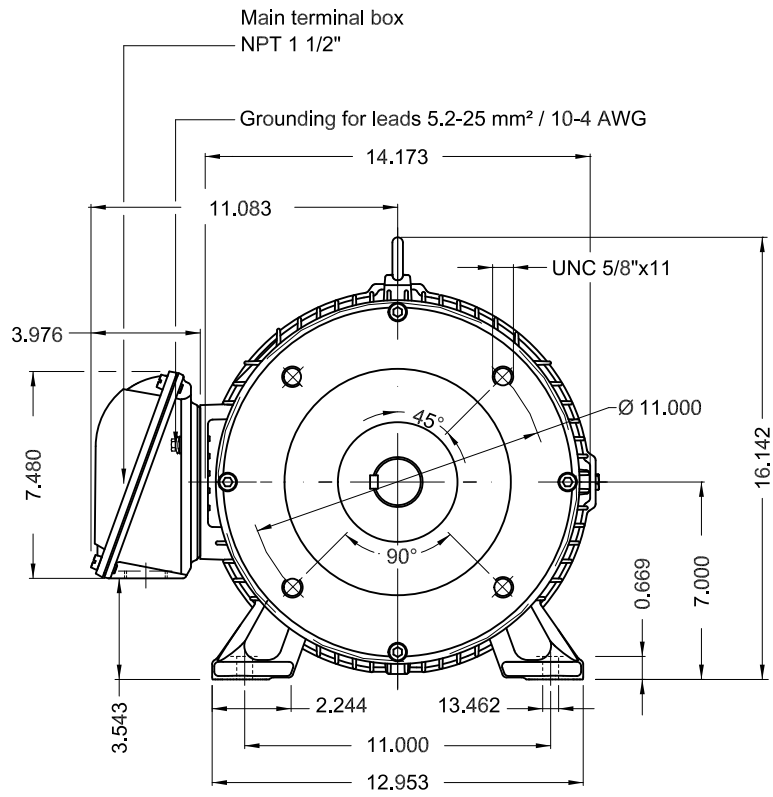
Rev.	Changes Summary	Performed	Checked	Date
Performed by			Page 6 / 6	Revision
Checked by				
Date	14/04/2022			

1 2 3 4 5 6

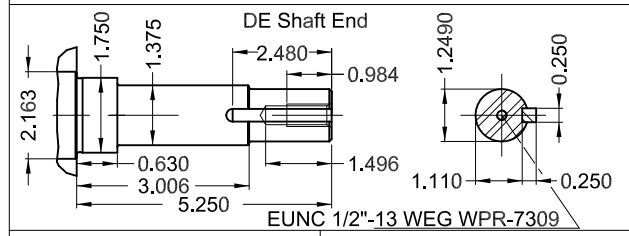
A

B

C



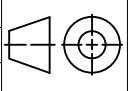
D



E

Color RAL 5009  
 Painting plan 203A  
 Mounting NEMA F-1  
 Mounting B34R(D)

30 HP 02 Poles 60 Hz A

ECM	LOC	SUMMARY OF MODIFICATIONS	EXECUTED	CHECKED	RELEASED	DATE	VER
EXECUTED	PIRWBUSER	 THREE PH. MOTOR JM/JP/JET PUMP W22 PREM. EFF. FRAME 284/6JM IP55 TEFC					
CHECKED							
RELEASED							
REL DT.	WMO		Jaragua do Sul	Product Engineering	SHEET	1 / 1	

PREVIEW  
 WDD



VJP PART # JM030502NPW22  
 MADE IN BRAZIL  
 12712156



*Inverter Duty Motor  
 Severe Duty*

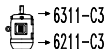
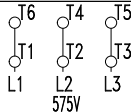


FOR SAFE AREA  
 MOD.TE1BFOXON



Class I, Div 2, Gr. A, B, C and D - T3  
 Class I, Zone 2, IIC - T3  
 Class II, Div 2, Gr. F and G - T4  
 For use on PWM, Gr. A, B, C, D and F,  
 VT 1000:1, CT 20:1, 1.0SF, T3A

PH 3	FR 284/6JM	HP(kW) 30(22)		Hz 60
V 575		A 27.4		IP55
NEMA NOM EFF		91.7	%	RPM 3540
ENCL TEFC	DUTY CONT.		INS. CL. F $\Delta T$ 80 K	
PF 0.88		DES B	CODE G	AMB. 40°C
SF 1.25	SFA 34.3		ALT 1000 m.a.s.l.	



→ 6311-C3  
 → 6211-C3

MOBIL POLYREX EM  
 18 g 14000 h

423 Lbs