

DATA SHEET



Three Phase Induction Motor - Squirrel Cage

Customer :			
Product line	: W40 JM Pump NEMA Premium Efficiency Three-Phase	Product code :	14484718
		Catalog # :	03036OT3H284JM-W40
Frame	: 284JM	Locked rotor time	: 18s (cold) 10s (hot)
Output	: 30 HP (22 kW)	Temperature rise	: 80 K
Poles	: 2	Duty cycle	: Cont.(S1)
Frequency	: 60 Hz	Ambient temperature	: -20°C to +40°C
Rated voltage	: 575 V	Altitude	: 1000 m.a.s.l.
Rated current	: 28.0 A	Protection degree	: IP23
L. R. Amperes	: 176 A	Cooling method	: IC01 - ODP
LRC	: 6.3x(Code G)	Mounting	: F-1
No load current	: 10.3 A	Rotation ¹	: Both (CW and CCW)
Rated speed	: 3550 rpm	Noise level ²	: 73.0 dB(A)
Slip	: 1.39 %	Starting method	: Direct On Line
Rated torque	: 44.4 ft.lb	Approx. weight ³	: 373 lb
Locked rotor torque	: 180 %		
Breakdown torque	: 260 %		
Insulation class	: F		
Service factor	: 1.25		
Moment of inertia (J)	: 1.59 sq.ft.lb		
Design	: B		
Output	25% 50% 75% 100%	Foundation loads	
Efficiency (%)	90.0 90.2 91.7 91.7	Max. traction	
Power Factor	0.47 0.73 0.82 0.86	Max. compression	
		<u>Drive end</u>	<u>Non drive end</u>
Bearing type	:	6311 Z C3	6211 Z C3
Sealing	:	Without Bearing Seal	Without Bearing Seal
Lubrication interval	:	20000 h	20000 h
Lubricant amount	:	18 g	11 g
Lubricant type	:	Mobil Polyrex EM	
Notes			
This revision replaces and cancel the previous one, which must be eliminated. (1) Looking the motor from the shaft end. (2) Measured at 1m and with tolerance of +3dB(A). (3) Approximate weight subject to changes after manufacturing process. (4) At 100% of full load.		These are average values based on tests with sinusoidal power supply, subject to the tolerances stipulated in NEMA MG-1.	
Rev.	Changes Summary	Performed	Checked
Performed by			
Checked by			
Date	14/04/2022		
		Page	Revision
		1 / 6	

TORQUE AND CURRENT VS SPEED CURVE

Three Phase Induction Motor - Squirrel Cage



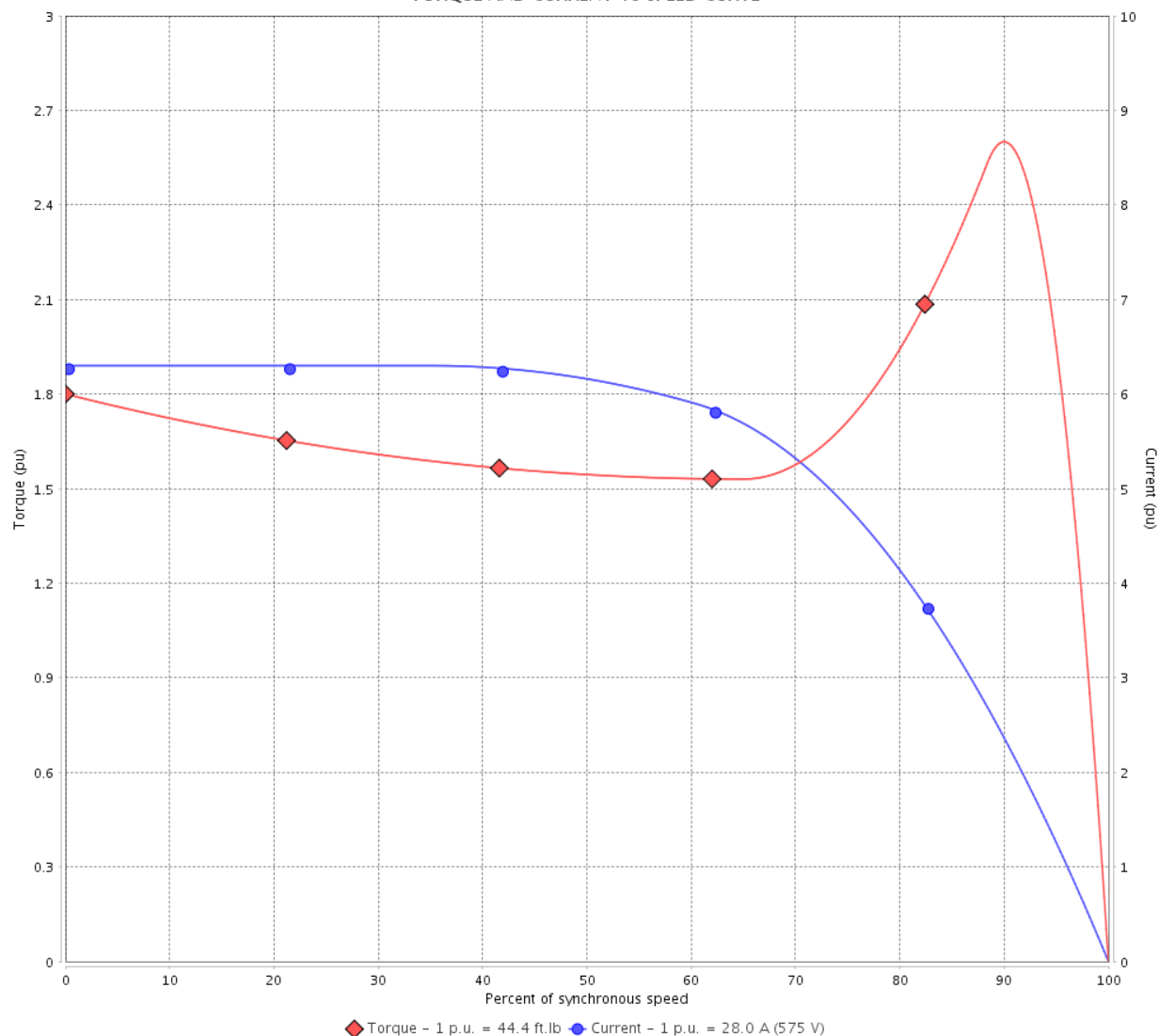
Customer :

Product line : W40 JM Pump NEMA Premium Efficiency Three-Phase

Product code : 14484718

Catalog # : 03036OT3H284JM-W40

TORQUE AND CURRENT VS SPEED CURVE



Performance : 575 V 60 Hz 2P

Rated current	: 28.0 A	Moment of inertia (J)	: 1.59 sq.ft.lb
LRC	: 6.3	Duty cycle	: Cont.(S1)
Rated torque	: 44.4 ft.lb	Insulation class	: F
Locked rotor torque	: 180 %	Service factor	: 1.25
Breakdown torque	: 260 %	Temperature rise	: 80 K
Rated speed	: 3550 rpm	Design	: B

Locked rotor time : 18s (cold) 10s (hot)

Rev.	Changes Summary	Performed	Checked	Date
Performed by			Page 2 / 6	Revision
Checked by				
Date	14/04/2022			

LOAD PERFORMANCE CURVE

Three Phase Induction Motor - Squirrel Cage

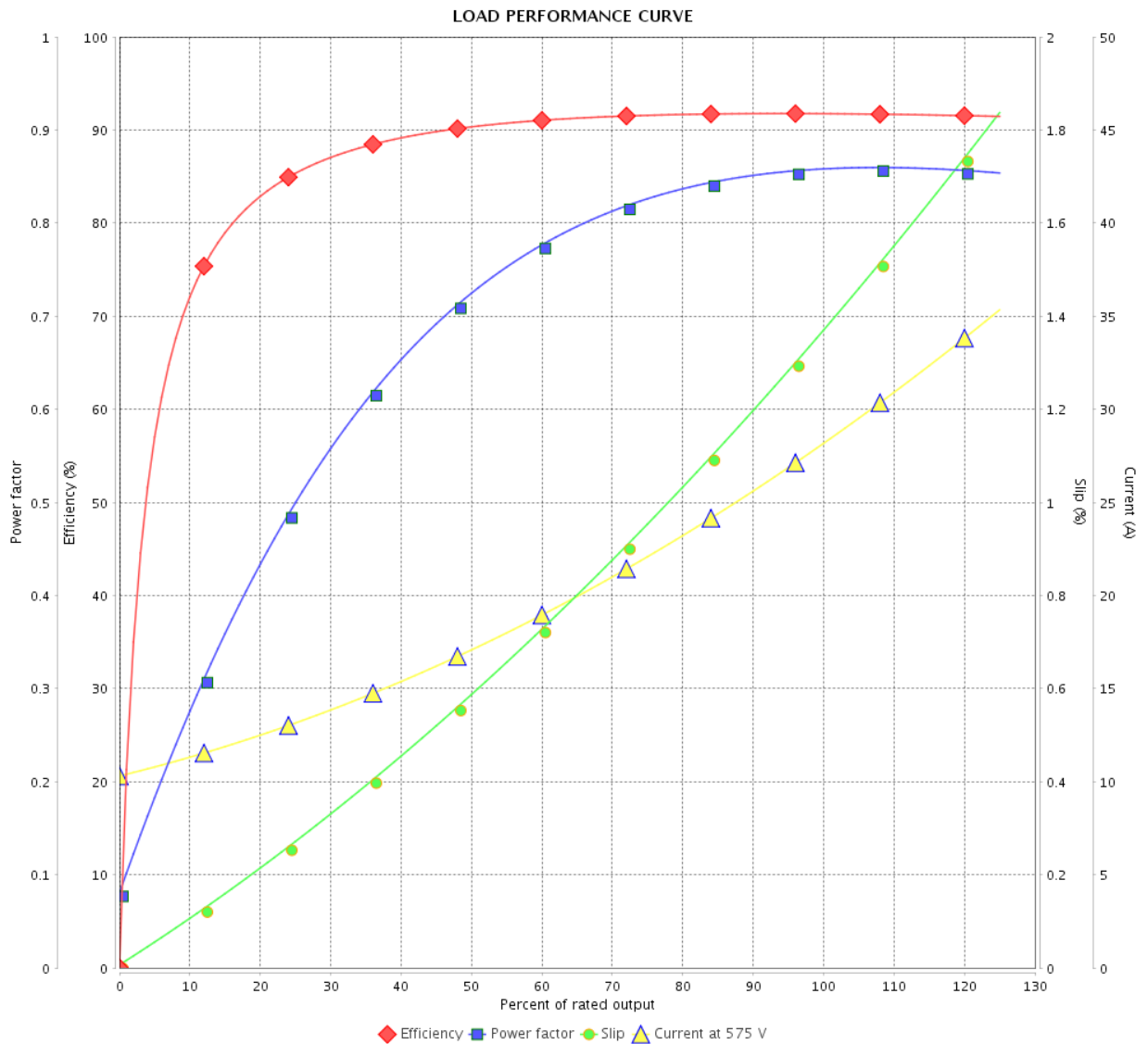


Customer :

Product line : W40 JM Pump NEMA Premium Efficiency Three-Phase

Product code : 14484718

Catalog # : 03036OT3H284JM-W40



Performance : 575 V 60 Hz 2P

Rated current : 28.0 A
 LRC : 6.3
 Rated torque : 44.4 ft.lb
 Locked rotor torque : 180 %
 Breakdown torque : 260 %
 Rated speed : 3550 rpm

Moment of inertia (J) : 1.59 sq.ft.lb
 Duty cycle : Cont.(S1)
 Insulation class : F
 Service factor : 1.25
 Temperature rise : 80 K
 Design : B

Rev.	Changes Summary	Performed	Checked	Date	
Performed by					
Checked by					
Date					14/04/2022
		Page	Revision		
		3 / 6			

THERMAL LIMIT CURVE

Three Phase Induction Motor - Squirrel Cage



Customer :

Product line : W40 JM Pump NEMA Premium
Efficiency Three-Phase

Product code : 14484718

Catalog # : 03036OT3H284JM-W40

Performance : 575 V 60 Hz 2P

Rated current	: 28.0 A	Moment of inertia (J)	: 1.59 sq.ft.lb
LRC	: 6.3	Duty cycle	: Cont.(S1)
Rated torque	: 44.4 ft.lb	Insulation class	: F
Locked rotor torque	: 180 %	Service factor	: 1.25
Breakdown torque	: 260 %	Temperature rise	: 80 K
Rated speed	: 3550 rpm	Design	: B

Heating constant

Cooling constant

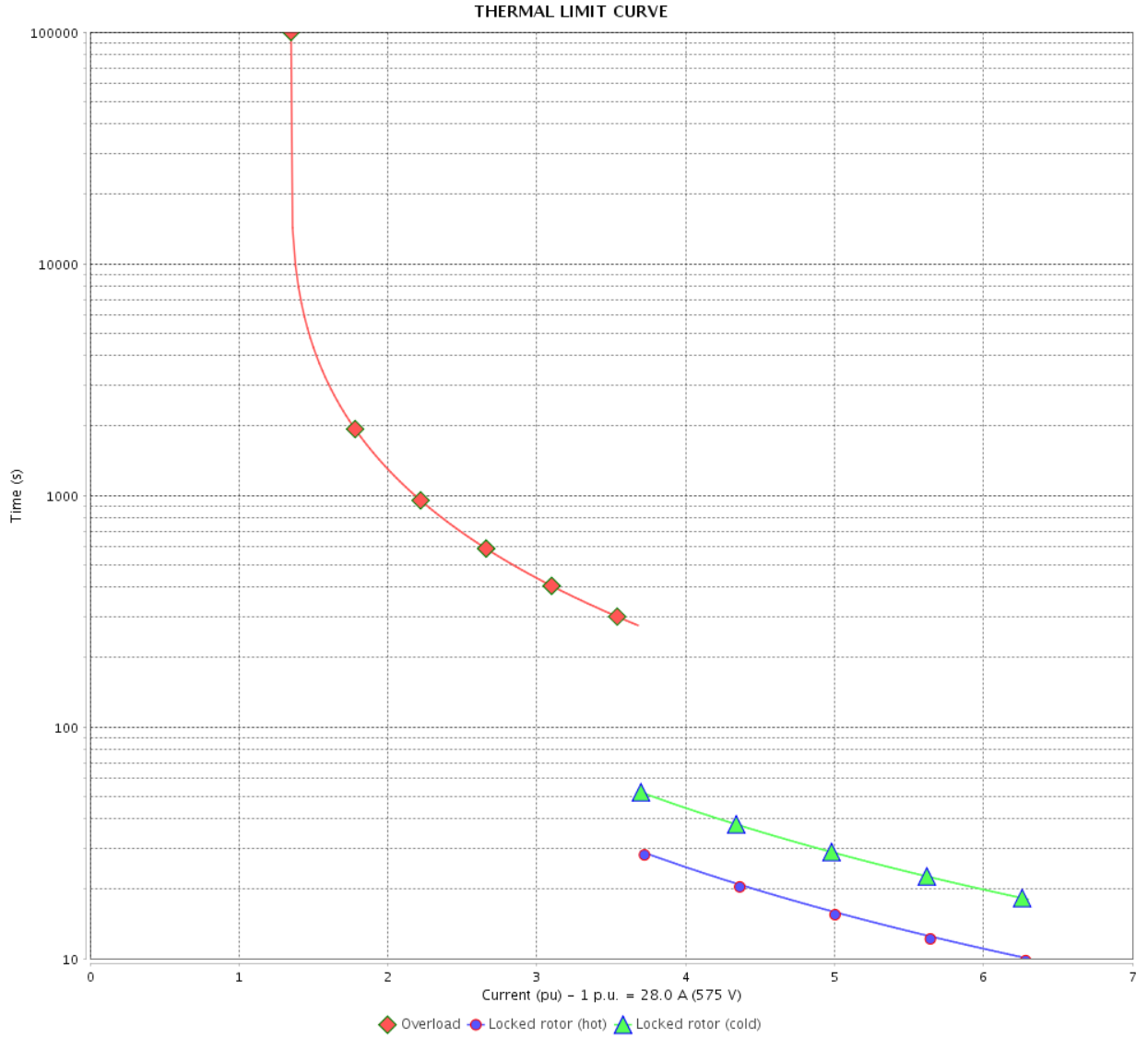
Rev.	Changes Summary	Performed	Checked	Date
Performed by				
Checked by			Page	Revision
Date	14/04/2022		4 / 6	

THERMAL LIMIT CURVE

Three Phase Induction Motor - Squirrel Cage



Customer : _____



Rev.	Changes Summary	Performed	Checked	Date
Performed by		Page 5 / 6		Revision
Checked by				
Date				

VFD OPERATION CURVE

Three Phase Induction Motor - Squirrel Cage



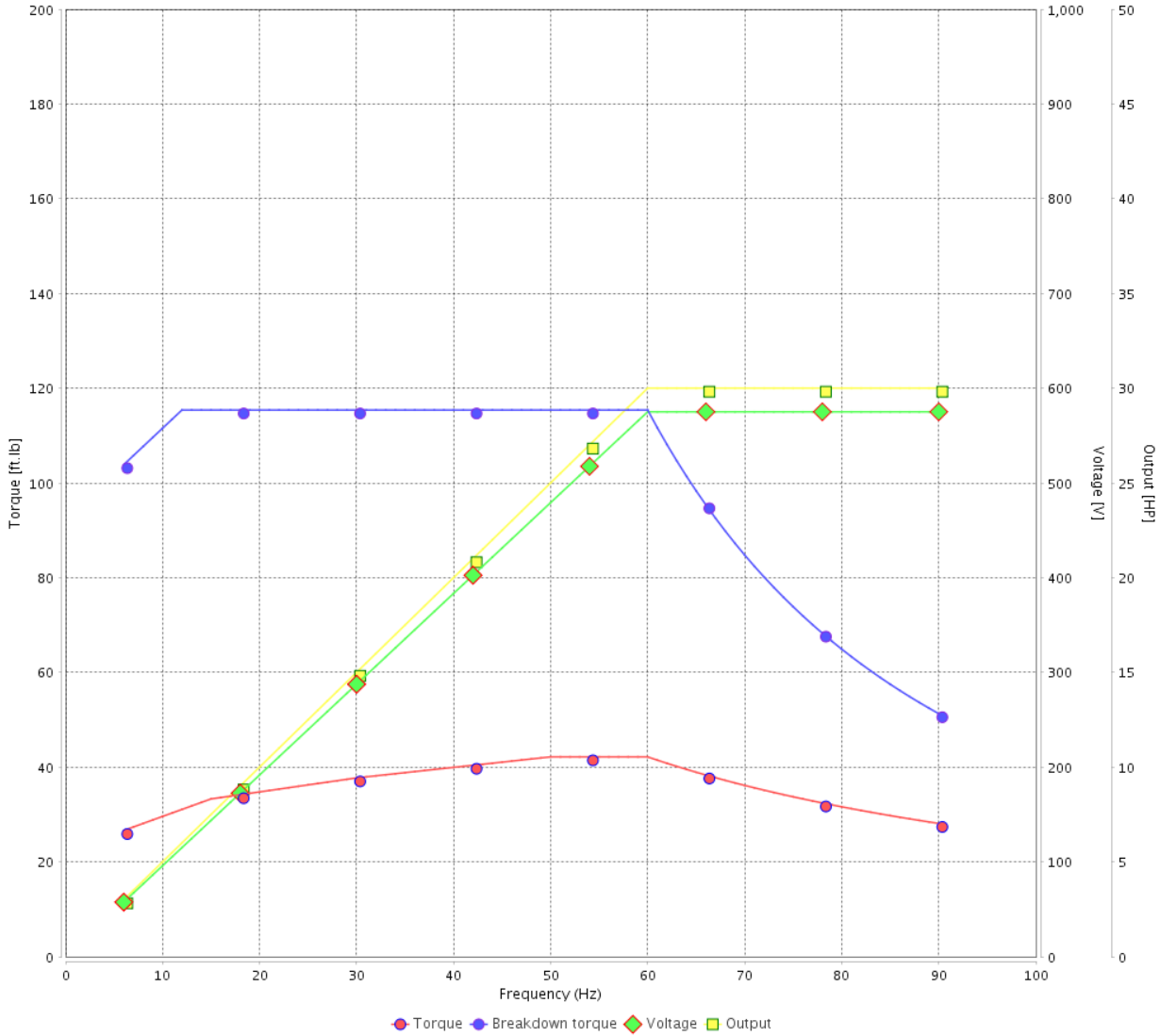
Customer :

Product line : W40 JM Pump NEMA Premium Efficiency Three-Phase

Product code : 14484718

Catalog # : 03036OT3H284JM-W40

VFD OPERATION CURVE

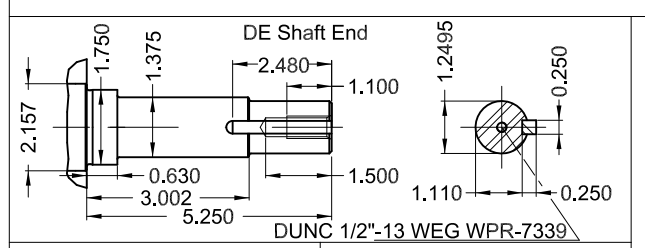
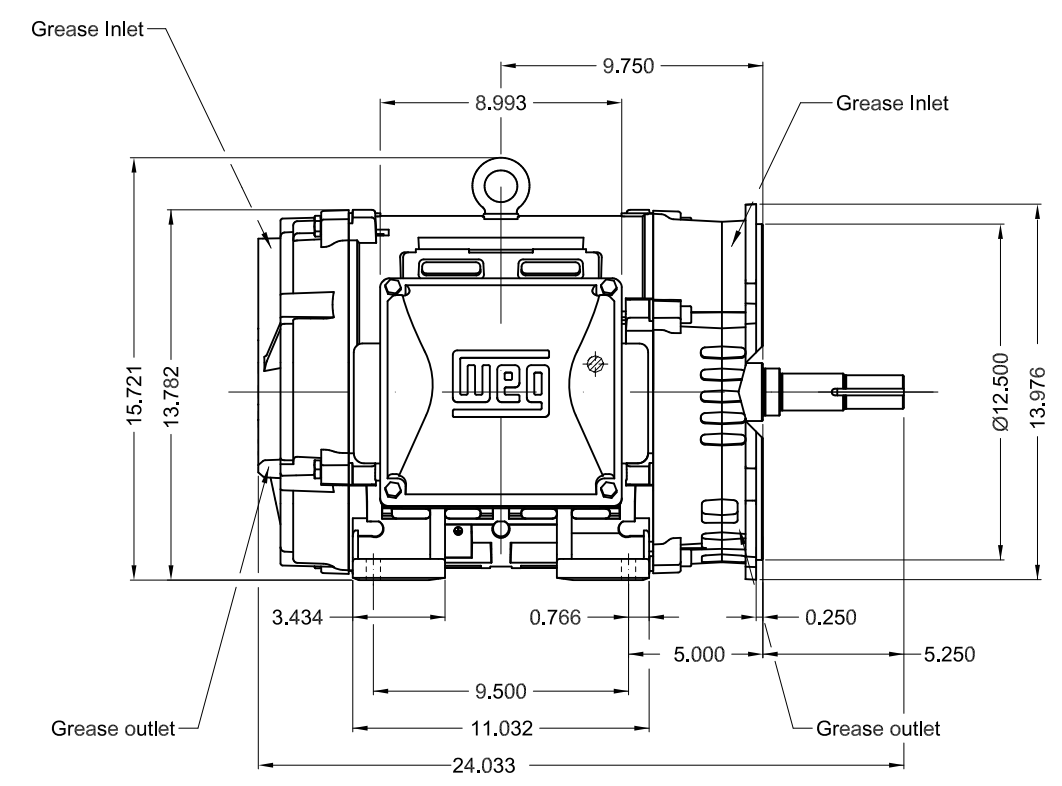
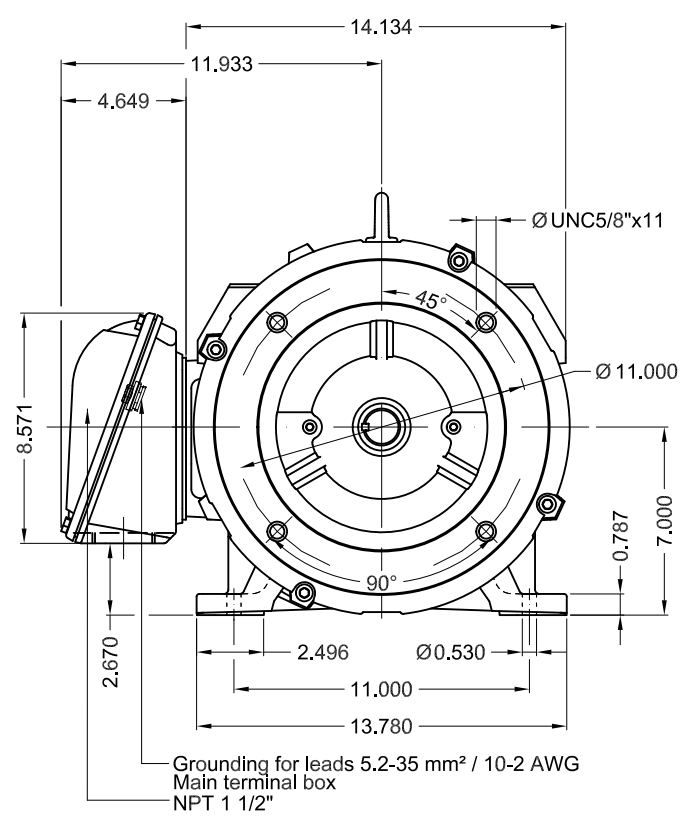


Performance : 575 V 60 Hz 2P

Rated current : 28.0 A
 LRC : 6.3
 Rated torque : 44.4 ft.lb
 Locked rotor torque : 180 %
 Breakdown torque : 260 %
 Rated speed : 3550 rpm

Moment of inertia (J) : 1.59 sq.ft.lb
 Duty cycle : Cont.(S1)
 Insulation class : F
 Service factor : 1.25
 Temperature rise : 80 K
 Design : B

Rev.	Changes Summary	Performed	Checked	Date
Performed by			Page	Revision
Checked by				
Date				



30 HP 02 Poles 60 Hz A

1:7

ECM	LOC	SUMMARY OF MODIFICATIONS	EXECUTED	CHECKED	RELEASED	DATE	VER
EXECUTED	PIRWBUSER	THREE PH. MOTOR W40 CLOSE COUPLED PUMP JM TYPE PREM-SET					
CHECKED		FRAME 284JM IP23 ODP					
RELEASED							
REL DT.	WMO	Jaragua do Sul	Product Engineering	SHEET	1 / 1		

Color RAL 5009
 Painting plan 203A
 Mounting NEMA F-1
 Mounting B34R(D)

PREVIEW

WDD