

DATA SHEET



Three Phase Induction Motor - Squirrel Cage

Customer :						
Product line		: W40 JP Pump NEMA Premium Efficiency Three-Phase		Product code : 14487048		
				Catalog # : 04018OT3V324JP-W40		
Frame	: 324JP			Locked rotor time	: 23s (cold) 13s (hot)	
Output	: 40 HP (30 kW)			Temperature rise	: 80 K	
Poles	: 4			Duty cycle	: Cont.(S1)	
Frequency	: 60 Hz			Ambient temperature	: -20°C to +40°C	
Rated voltage	: 200/400 V			Altitude	: 1000 m.a.s.l.	
Rated current	: 109/54.7 A			Protection degree	: IP23	
L. R. Amperes	: 679/339 A			Cooling method	: IC01 - ODP	
LRC	: 6.2x(Code G)			Mounting	: F-1	
No load current	: 42.5/21.3 A			Rotation ¹	: Both (CW and CCW)	
Rated speed	: 1775 rpm			Noise level ²	: 66.0 dB(A)	
Slip	: 1.39 %			Starting method	: Direct On Line	
Rated torque	: 118 ft.lb			Approx. weight ³	: 576 lb	
Locked rotor torque	: 200 %					
Breakdown torque	: 240 %					
Insulation class	: F					
Service factor	: 1.25					
Moment of inertia (J)	: 5.69 sq.ft.lb					
Design	: B					
Output	25%	50%	75%	100%	Foundation loads	
Efficiency (%)	93.5	93.6	94.1	94.1	Max. traction	
Power Factor	0.44	0.70	0.80	0.84	Max. compression	
		<u>Drive end</u>		<u>Non drive end</u>		
Bearing type	:		6312 Z C3	6211 Z C3		
Sealing	:		Without Bearing Seal	Without Bearing Seal		
Lubrication interval	:		20000 h	20000 h		
Lubricant amount	:		21 g	11 g		
Lubricant type	:		Mobil Polyrex EM			
Notes						
This revision replaces and cancel the previous one, which must be eliminated. (1) Looking the motor from the shaft end. (2) Measured at 1m and with tolerance of +3dB(A). (3) Approximate weight subject to changes after manufacturing process. (4) At 100% of full load.			These are average values based on tests with sinusoidal power supply, subject to the tolerances stipulated in NEMA MG-1.			
Rev.	Changes Summary			Performed	Checked	Date
Performed by						
Checked by					Page	Revision
Date	12/04/2022				1 / 6	

TORQUE AND CURRENT VS SPEED CURVE

Three Phase Induction Motor - Squirrel Cage



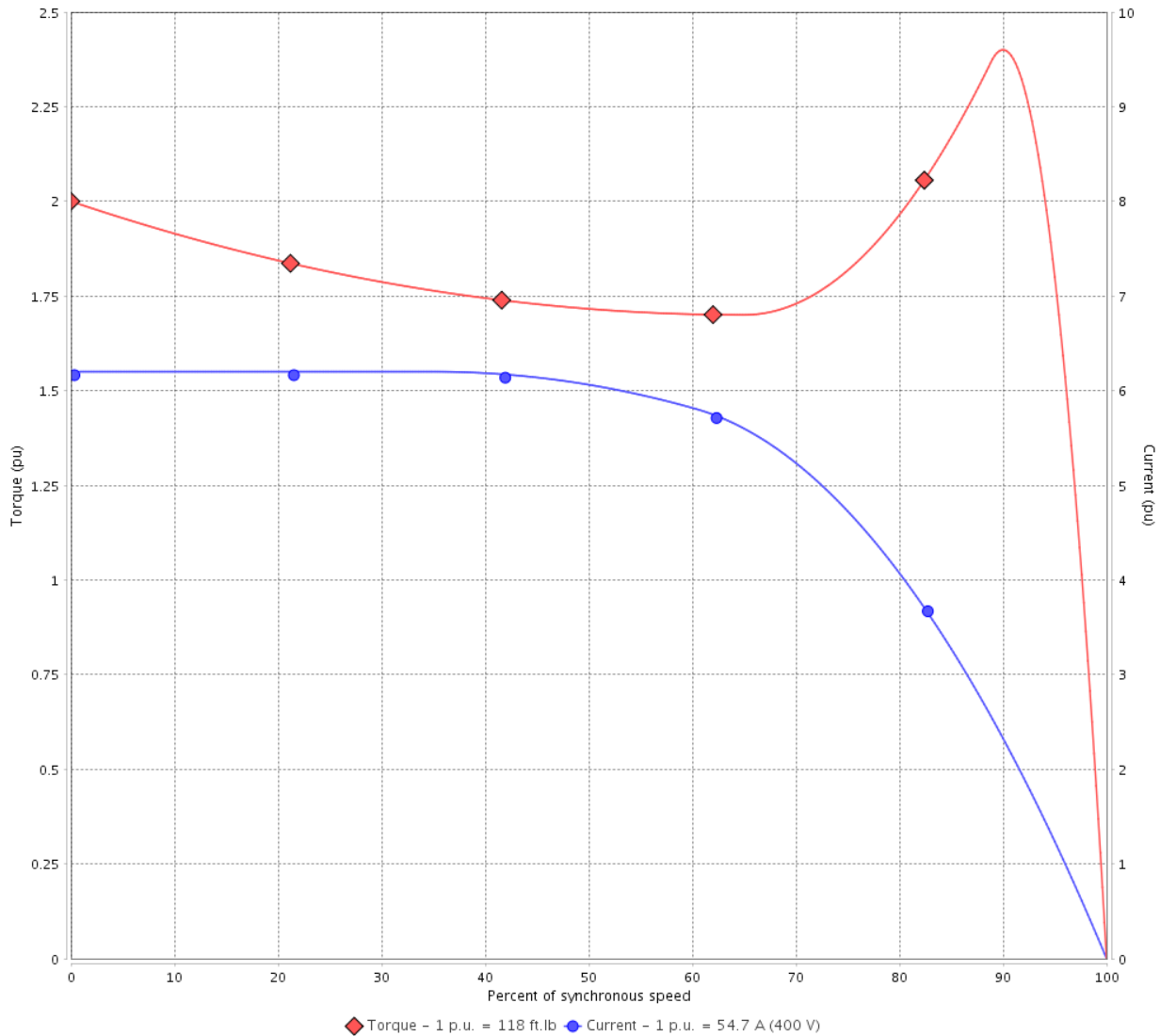
Customer :

Product line : W40 JP Pump NEMA Premium Efficiency Three-Phase

Product code : 14487048

Catalog # : 04018OT3V324JP-W40

TORQUE AND CURRENT VS SPEED CURVE



Performance : 200/400 V 60 Hz 4P

Rated current	: 109/54.7 A	Moment of inertia (J)	: 5.69 sq.ft.lb
LRC	: 6.2	Duty cycle	: Cont.(S1)
Rated torque	: 118 ft.lb	Insulation class	: F
Locked rotor torque	: 200 %	Service factor	: 1.25
Breakdown torque	: 240 %	Temperature rise	: 80 K
Rated speed	: 1775 rpm	Design	: B

Locked rotor time : 23s (cold) 13s (hot)

Rev.	Changes Summary	Performed	Checked	Date
Performed by			Page 2 / 6	Revision
Checked by				
Date	12/04/2022			

LOAD PERFORMANCE CURVE

Three Phase Induction Motor - Squirrel Cage

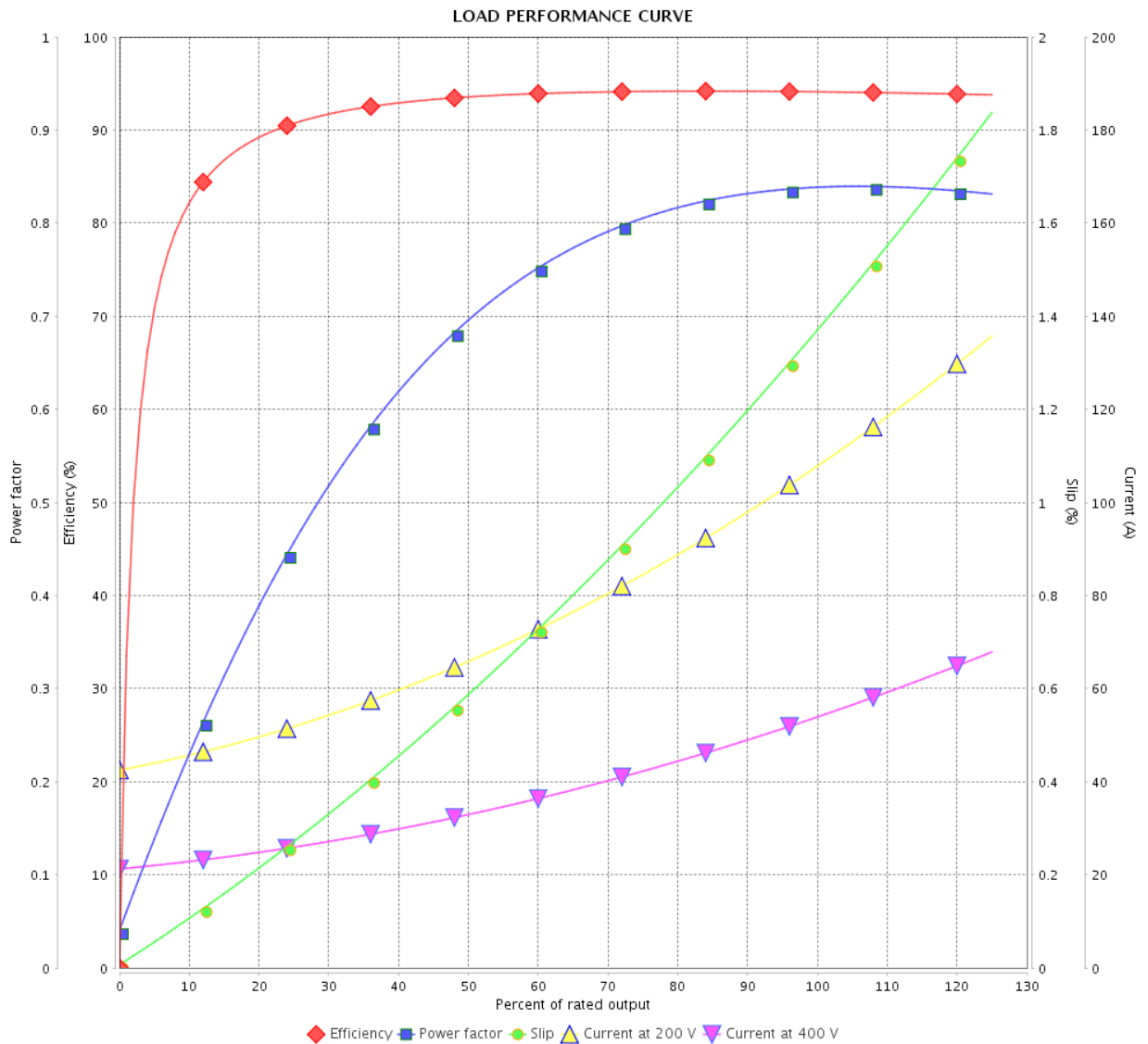


Customer :

Product line : W40 JP Pump NEMA Premium Efficiency Three-Phase

Product code : 14487048

Catalog # : 04018OT3V324JP-W40



Performance : 200/400 V 60 Hz 4P

Rated current : 109/54.7 A
 LRC : 6.2
 Rated torque : 118 ft.lb
 Locked rotor torque : 200 %
 Breakdown torque : 240 %
 Rated speed : 1775 rpm

Moment of inertia (J) : 5.69 sq.ft.lb
 Duty cycle : Cont.(S1)
 Insulation class : F
 Service factor : 1.25
 Temperature rise : 80 K
 Design : B

Rev.	Changes Summary	Performed	Checked	Date
Performed by		Page		Revision
Checked by		3 / 6		
Date		12/04/2022		

THERMAL LIMIT CURVE



Three Phase Induction Motor - Squirrel Cage

Customer :

Product line : W40 JP Pump NEMA Premium
Efficiency Three-Phase

Product code : 14487048

Catalog # : 04018OT3V324JP-W40

Performance : 200/400 V 60 Hz 4P

Rated current : 109/54.7 A
LRC : 6.2
Rated torque : 118 ft.lb
Locked rotor torque : 200 %
Breakdown torque : 240 %
Rated speed : 1775 rpm

Moment of inertia (J) : 5.69 sq.ft.lb
Duty cycle : Cont.(S1)
Insulation class : F
Service factor : 1.25
Temperature rise : 80 K
Design : B

Heating constant

Cooling constant

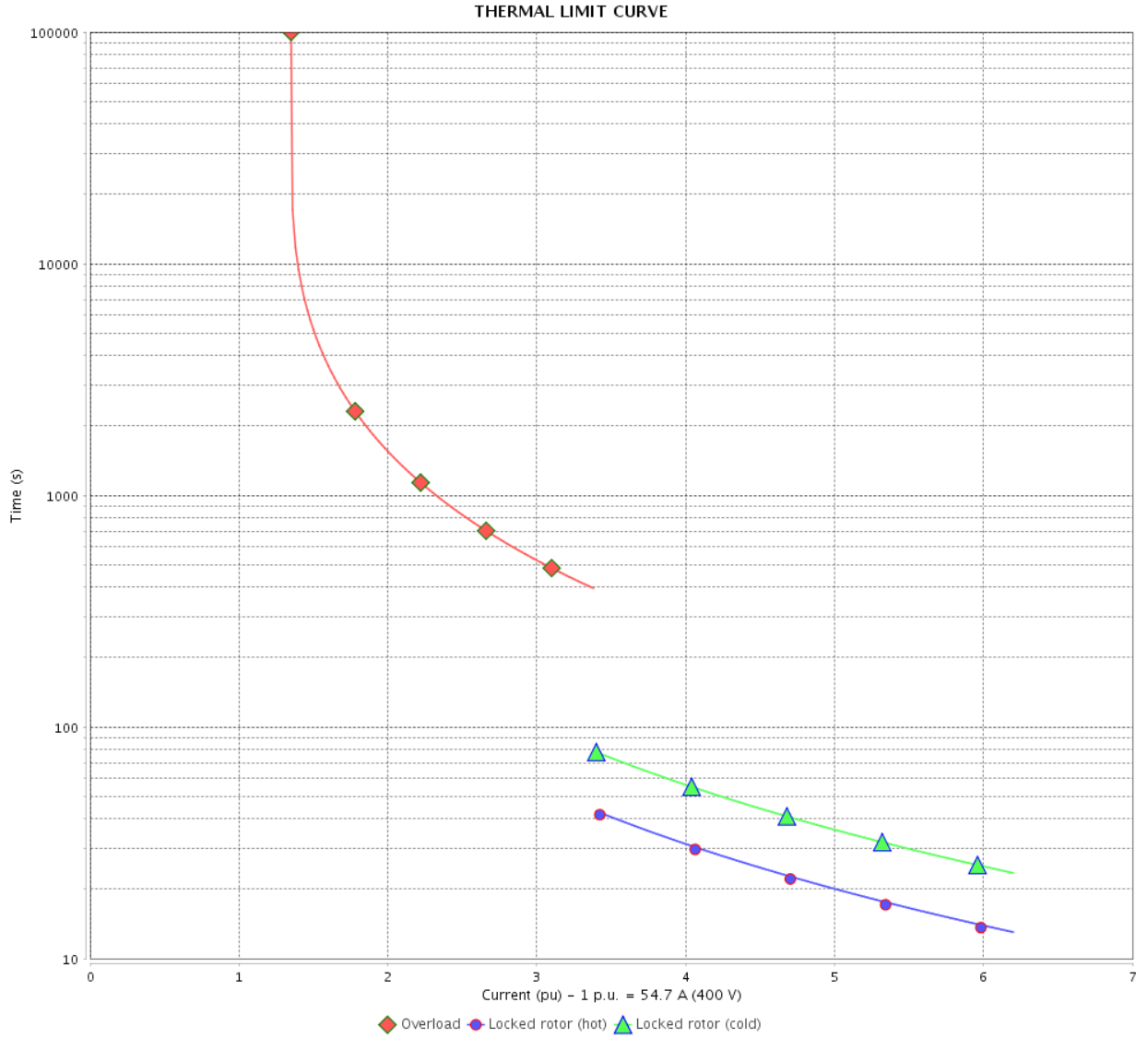
Rev.	Changes Summary	Performed	Checked	Date
Performed by				
Checked by			Page	Revision
Date	12/04/2022		4 / 6	

THERMAL LIMIT CURVE

Three Phase Induction Motor - Squirrel Cage



Customer : _____



Rev.	Changes Summary	Performed	Checked	Date
Performed by		Page 5 / 6		Revision
Checked by				
Date				

VFD OPERATION CURVE

Three Phase Induction Motor - Squirrel Cage

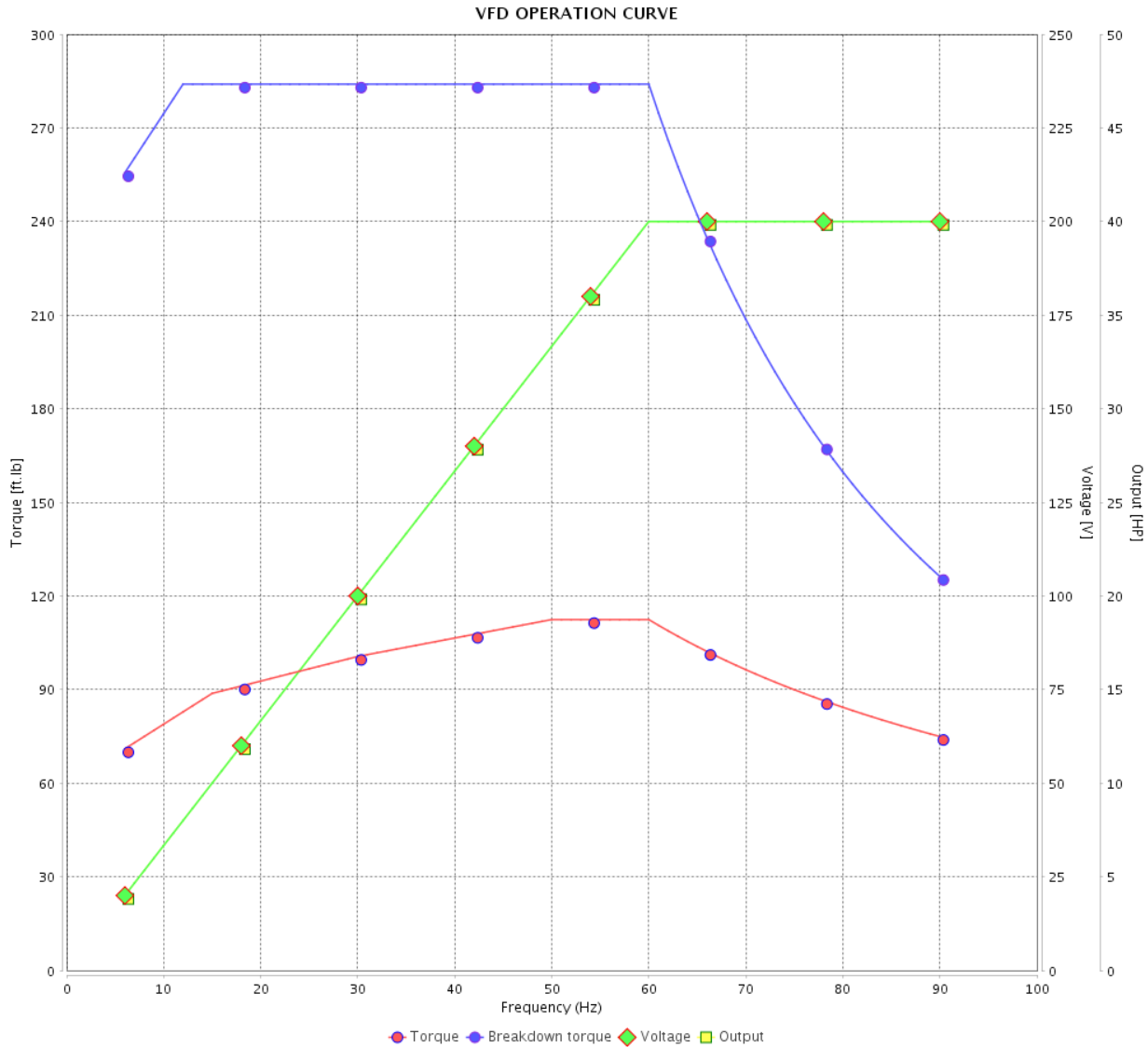


Customer :

Product line : W40 JP Pump NEMA Premium Efficiency Three-Phase

Product code : 14487048

Catalog # : 04018OT3V324JP-W40

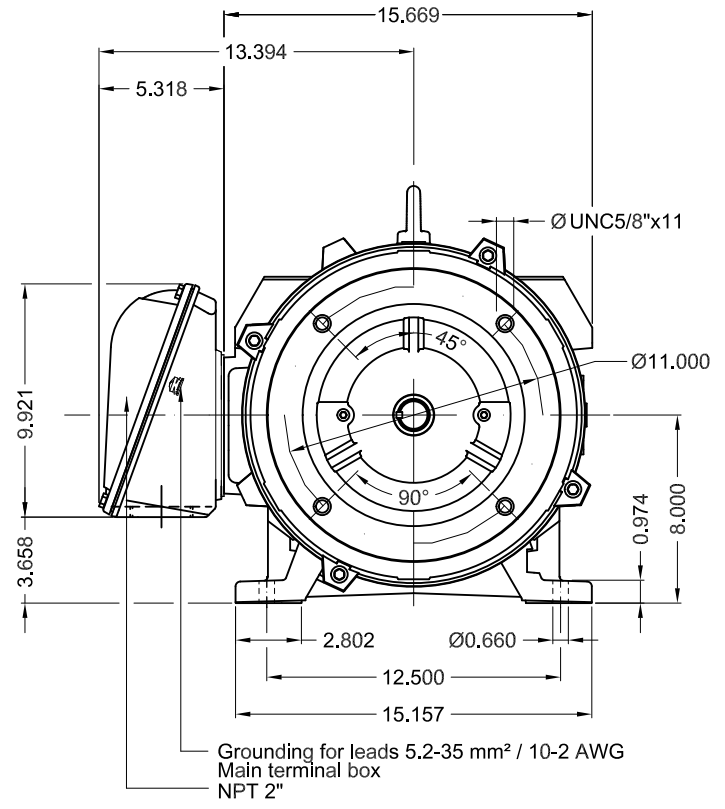


Performance : 200/400 V 60 Hz 4P

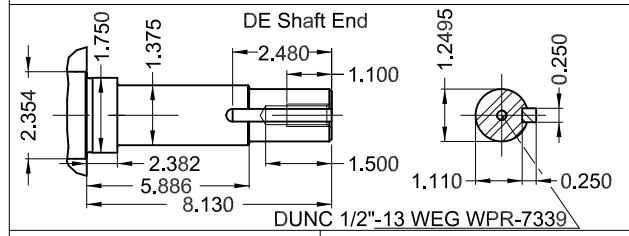
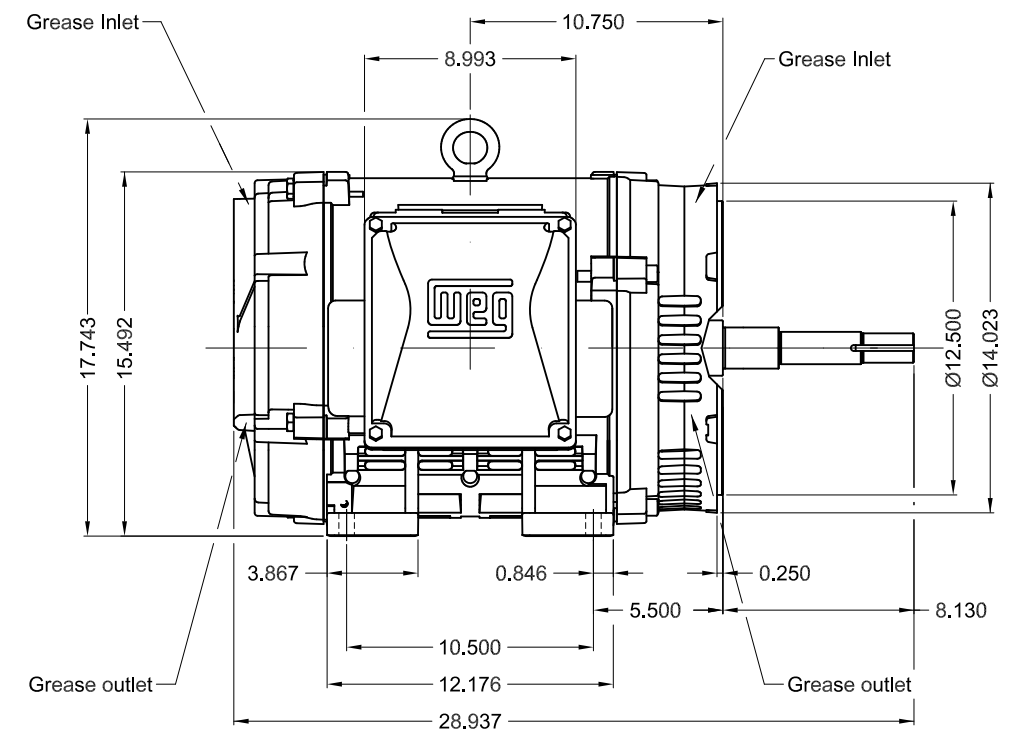
Rated current : 109/54.7 A
 LRC : 6.2
 Rated torque : 118 ft.lb
 Locked rotor torque : 200 %
 Breakdown torque : 240 %
 Rated speed : 1775 rpm

Moment of inertia (J) : 5.69 sq.ft.lb
 Duty cycle : Cont.(S1)
 Insulation class : F
 Service factor : 1.25
 Temperature rise : 80 K
 Design : B

Rev.	Changes Summary	Performed	Checked	Date
Performed by			Page 6 / 6	Revision
Checked by				
Date	12/04/2022			



Grounding for leads 5.2-35 mm² / 10-2 AWG
Main terminal box
NPT 2"



40 HP 04 Poles 60 Hz A

1:8

ECM	LOC	SUMMARY OF MODIFICATIONS	EXECUTED	CHECKED	RELEASED	DATE	VER
EXECUTED	PIRWBUSER	THREE PH. MOTOR W40 CLOSE COUPLED PUMP JP TYPE PREM. FT. FRAME 324JP IP23 ODP					
CHECKED							
RELEASED							
REL DT.	WMO	Jaragua do Sul	Product Engineering	WDD	SHEET	1 / 1	

Color RAL 5009
Painting plan 203A
Mounting NEMA F-1
Mounting B34R(D)

PREVIEW



MODEL 040180T3V324JP-W40
MADE IN BRAZIL
14487048

WEG **W40 NEMA**
CC029A Premium
Inverter Duty Motor

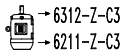
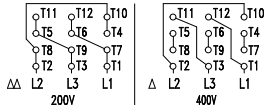


IEC 60034-1
MOD.T01#FOXON



For use on PWM, VT 1000:1, CT 3:1, 1.0SF

PH 3	FR 324JP	HP(kW) 40.0(30.0)		Hz 60
V 200/400		A 109/54.7		IP23
NEMA NOM EFF		94.1	%	RPM 1775
ENCL ODP	DUTY CONT.		INS. CL. F Δ T 80 K	
PF 0.84		DES B	CODE G	AMB. 40°C
SF 1.25		SFA 136/68.4		ALT 1000 m.a.s.l.



MOBIL POLYREX EM
21 g 20000 h

575 Lbs