

DATA SHEET



Three Phase Induction Motor - Squirrel Cage

Customer :								
Product line		: W40 NEMA Premium Efficiency Three-Phase		Product code : 14503956				
				Catalog # : 04018OT3V324TC-W40G				
Frame	:	: 324TC		Locked rotor time	:	: 23s (cold) 13s (hot)		
Output	:	: 40 HP (30 kW)		Temperature rise	:	: 80 K		
Poles	:	: 4		Duty cycle	:	: Cont.(S1)		
Frequency	:	: 60 Hz		Ambient temperature	:	: -20°C to +40°C		
Rated voltage	:	: 200/400 V		Altitude	:	: 1000 m.a.s.l.		
Rated current	:	: 109/54.7 A		Protection degree	:	: IP23		
L. R. Amperes	:	: 679/339 A		Cooling method	:	: IC01 - ODP		
LRC	:	: 6.2x(Code G)		Mounting	:	: F-1		
No load current	:	: 42.5/21.3 A		Rotation ¹	:	: Both (CW and CCW)		
Rated speed	:	: 1775 rpm		Noise level ²	:	: 66.0 dB(A)		
Slip	:	: 1.39 %		Starting method	:	: Direct On Line		
Rated torque	:	: 118 ft.lb		Approx. weight ³	:	: 506 lb		
Locked rotor torque	:	: 200 %						
Breakdown torque	:	: 240 %						
Insulation class	:	: F						
Service factor	:	: 1.25						
Moment of inertia (J)	:	: 5.69 sq.ft.lb						
Design	:	: B						
Output	25%	50%	75%	100%	Foundation loads			
Efficiency (%)	93.5	93.6	94.1	94.1	Max. traction			
Power Factor	0.44	0.70	0.80	0.84	Max. compression			
		<u>Drive end</u>		<u>Non drive end</u>				
Bearing type	:	6312 Z C3		6211 Z C3				
Sealing	:	Without Bearing Seal		Without Bearing Seal				
Lubrication interval	:	20000 h		20000 h				
Lubricant amount	:	21 g		11 g				
Lubricant type	:	Mobil Polyrex EM						
Notes								
This revision replaces and cancel the previous one, which must be eliminated. (1) Looking the motor from the shaft end. (2) Measured at 1m and with tolerance of +3dB(A). (3) Approximate weight subject to changes after manufacturing process. (4) At 100% of full load.				These are average values based on tests with sinusoidal power supply, subject to the tolerances stipulated in NEMA MG-1.				
Rev.	Changes Summary			Performed	Checked	Date		
Performed by								
Checked by					Page	Revision		
Date	12/04/2022				1 / 6			

TORQUE AND CURRENT VS SPEED CURVE

Three Phase Induction Motor - Squirrel Cage



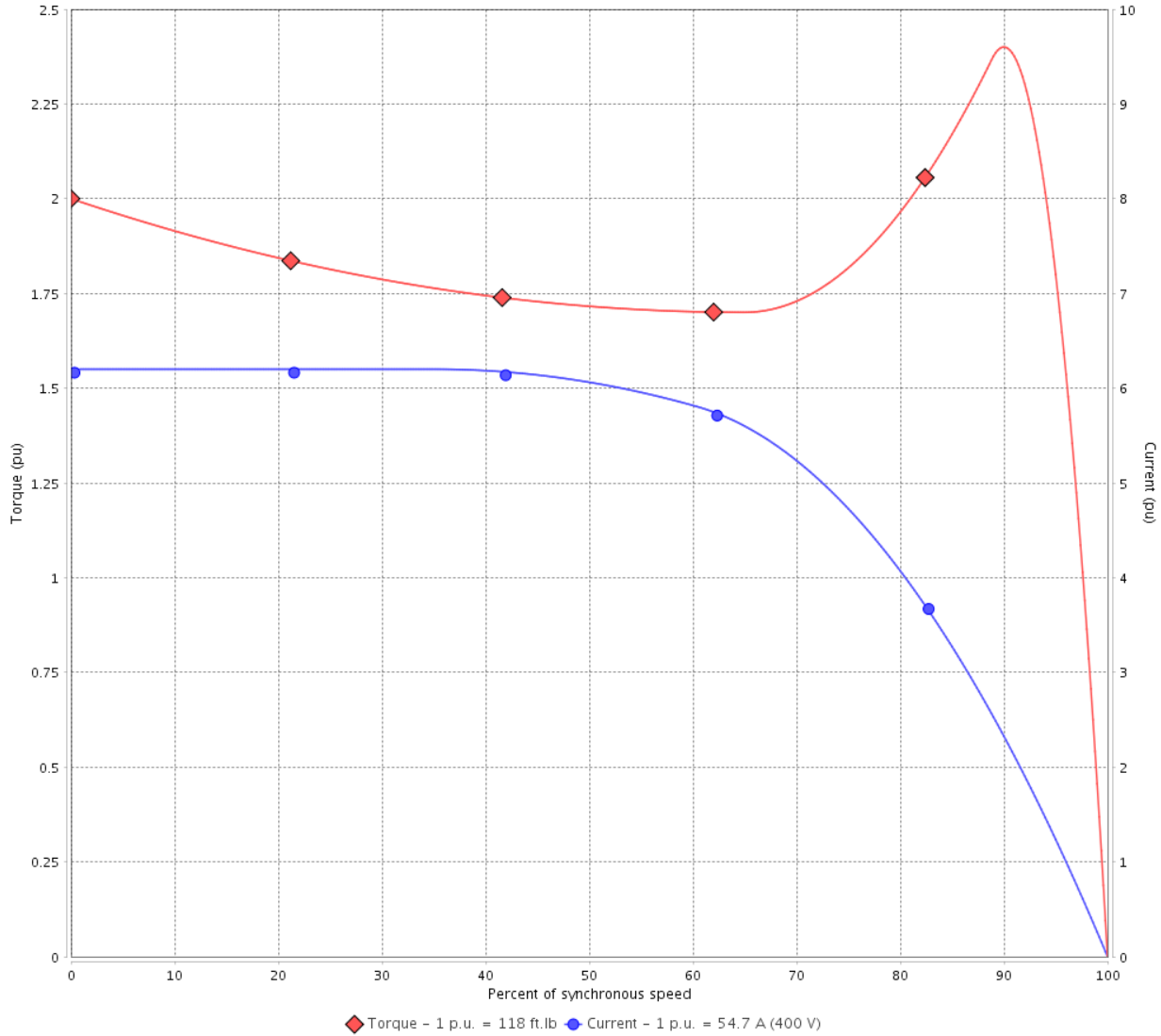
Customer :

Product line : W40 NEMA Premium Efficiency
Three-Phase

Product code : 14503956

Catalog # : 04018OT3V324TC-W40G

TORQUE AND CURRENT VS SPEED CURVE



Performance : 200/400 V 60 Hz 4P

Rated current	: 109/54.7 A	Moment of inertia (J)	: 5.69 sq.ft.lb
LRC	: 6.2	Duty cycle	: Cont.(S1)
Rated torque	: 118 ft.lb	Insulation class	: F
Locked rotor torque	: 200 %	Service factor	: 1.25
Breakdown torque	: 240 %	Temperature rise	: 80 K
Rated speed	: 1775 rpm	Design	: B

Locked rotor time : 23s (cold) 13s (hot)

Rev.	Changes Summary	Performed	Checked	Date
Performed by			Page 2 / 6	Revision
Checked by				
Date	12/04/2022			

LOAD PERFORMANCE CURVE

Three Phase Induction Motor - Squirrel Cage

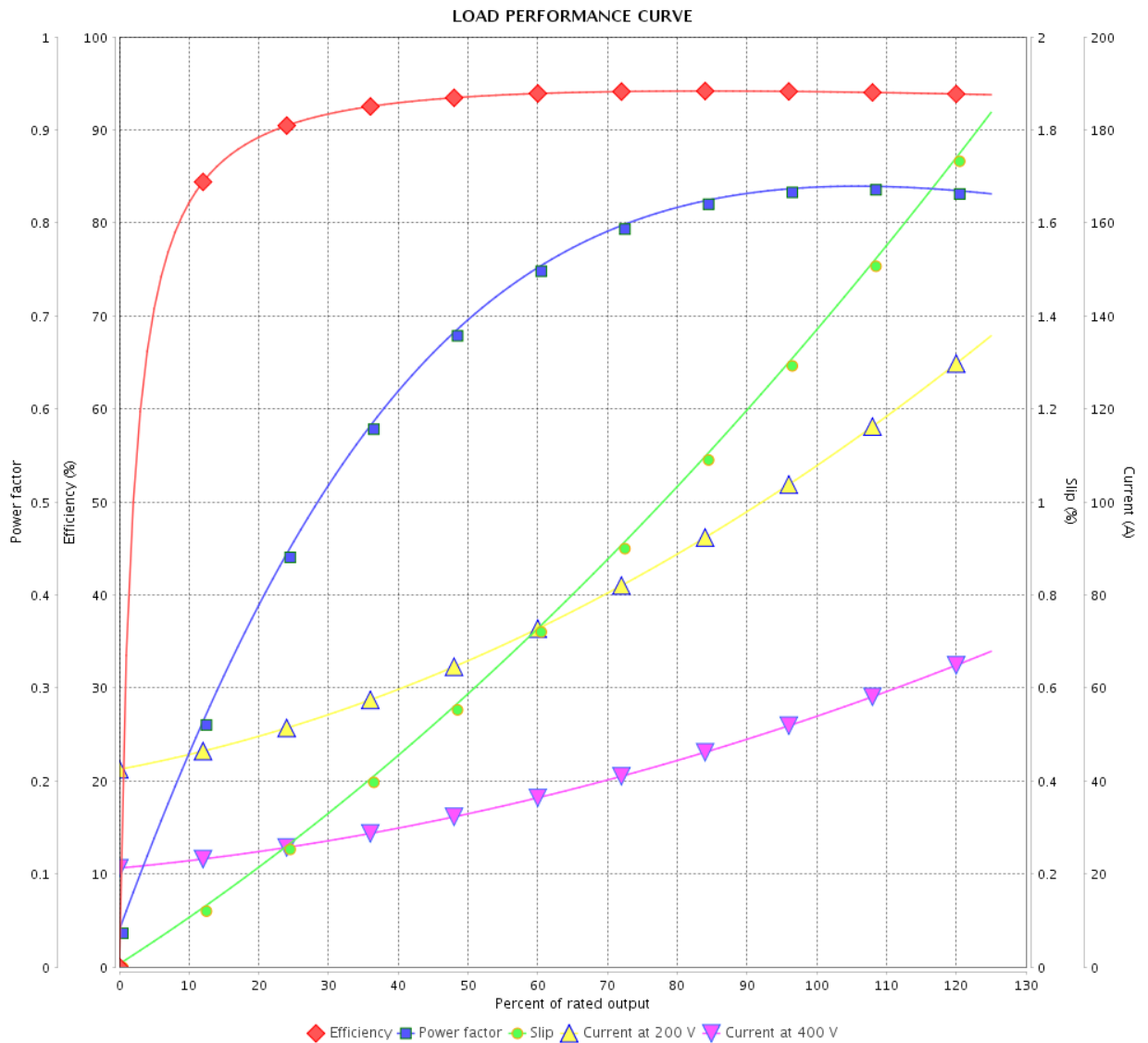


Customer : _____

Product line : W40 NEMA Premium Efficiency
Three-Phase

Product code : 14503956

Catalog # : 04018OT3V324TC-W40G



Performance : 200/400 V 60 Hz 4P

Rated current : 109/54.7 A
 LRC : 6.2
 Rated torque : 118 ft.lb
 Locked rotor torque : 200 %
 Breakdown torque : 240 %
 Rated speed : 1775 rpm

Moment of inertia (J) : 5.69 sq.ft.lb
 Duty cycle : Cont.(S1)
 Insulation class : F
 Service factor : 1.25
 Temperature rise : 80 K
 Design : B

Rev.	Changes Summary	Performed	Checked	Date
Performed by		Page		Revision
Checked by		3 / 6		
Date		12/04/2022		

THERMAL LIMIT CURVE



Three Phase Induction Motor - Squirrel Cage

Customer :

Product line : W40 NEMA Premium Efficiency
Three-Phase

Product code : 14503956

Catalog # : 04018OT3V324TC-W40G

Performance : 200/400 V 60 Hz 4P

Rated current : 109/54.7 A
LRC : 6.2
Rated torque : 118 ft.lb
Locked rotor torque : 200 %
Breakdown torque : 240 %
Rated speed : 1775 rpm

Moment of inertia (J) : 5.69 sq.ft.lb
Duty cycle : Cont.(S1)
Insulation class : F
Service factor : 1.25
Temperature rise : 80 K
Design : B

Heating constant

Cooling constant

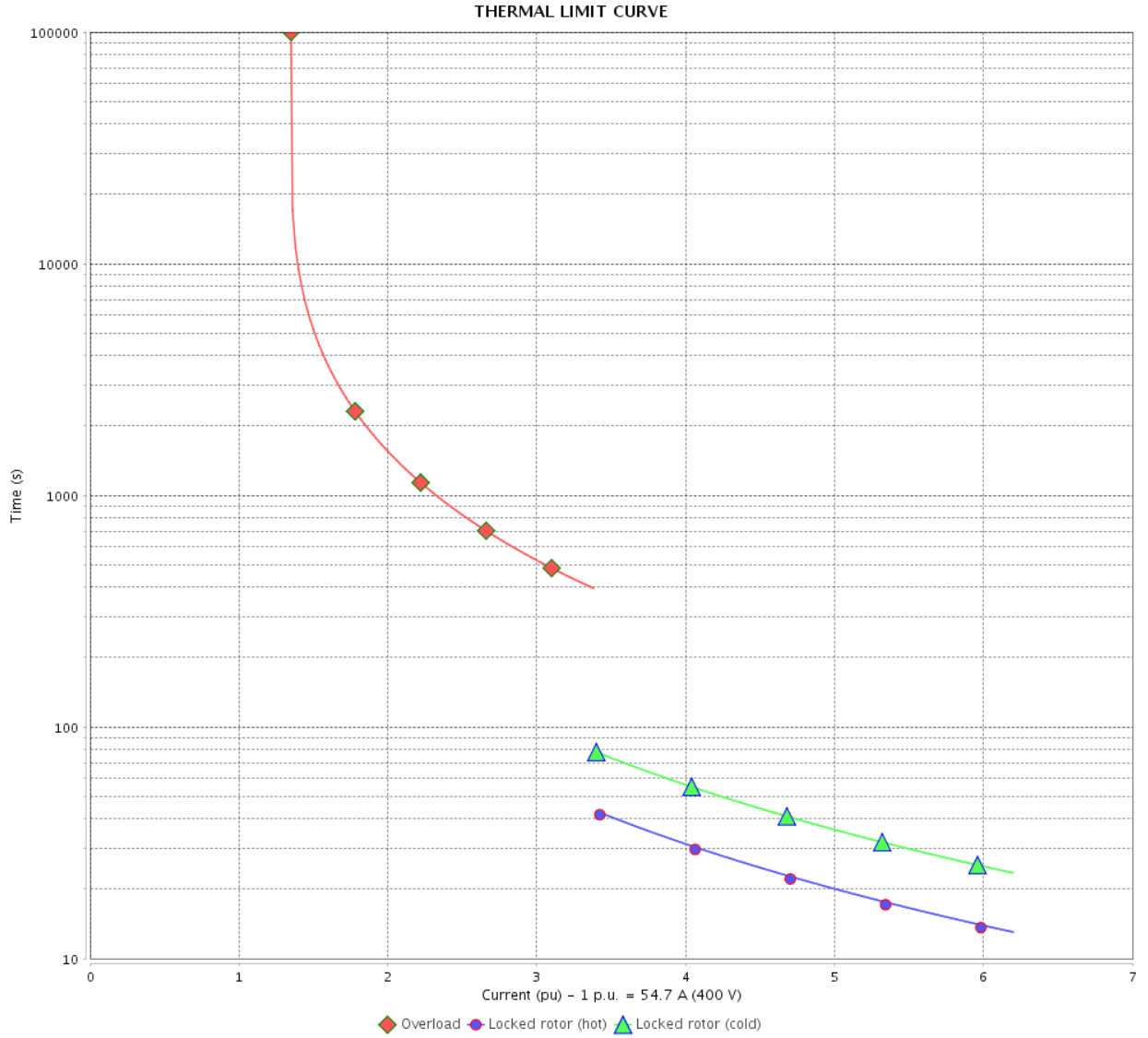
Rev.	Changes Summary	Performed	Checked	Date
Performed by				
Checked by			Page	Revision
Date	12/04/2022		4 / 6	

THERMAL LIMIT CURVE

Three Phase Induction Motor - Squirrel Cage



Customer : _____



Rev.	Changes Summary	Performed	Checked	Date
Performed by		Page 5 / 6		Revision
Checked by				
Date				

VFD OPERATION CURVE

Three Phase Induction Motor - Squirrel Cage

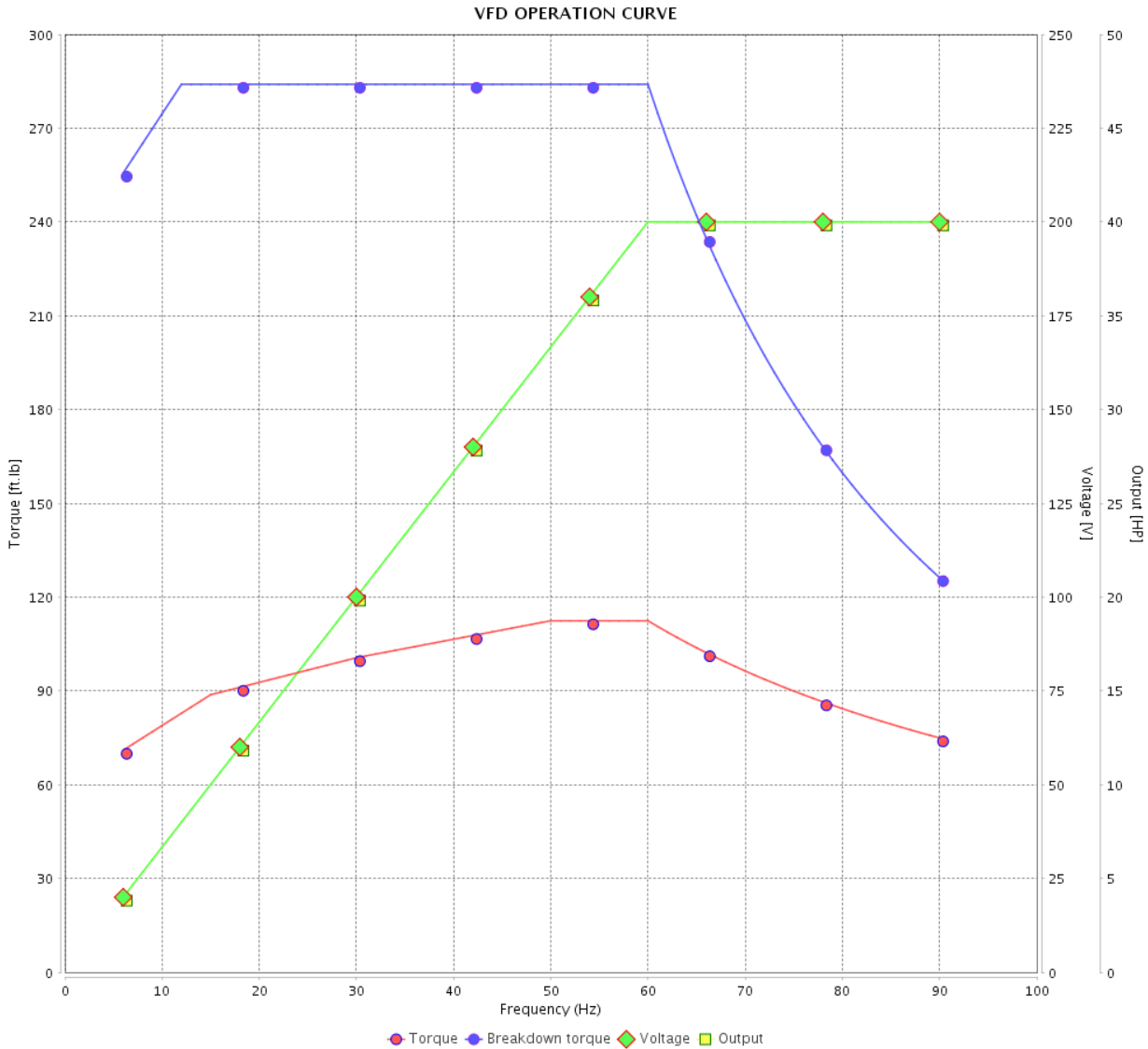


Customer :

Product line : W40 NEMA Premium Efficiency Three-Phase

Product code : 14503956

Catalog # : 04018OT3V324TC-W40G

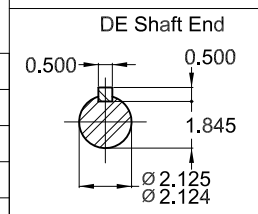
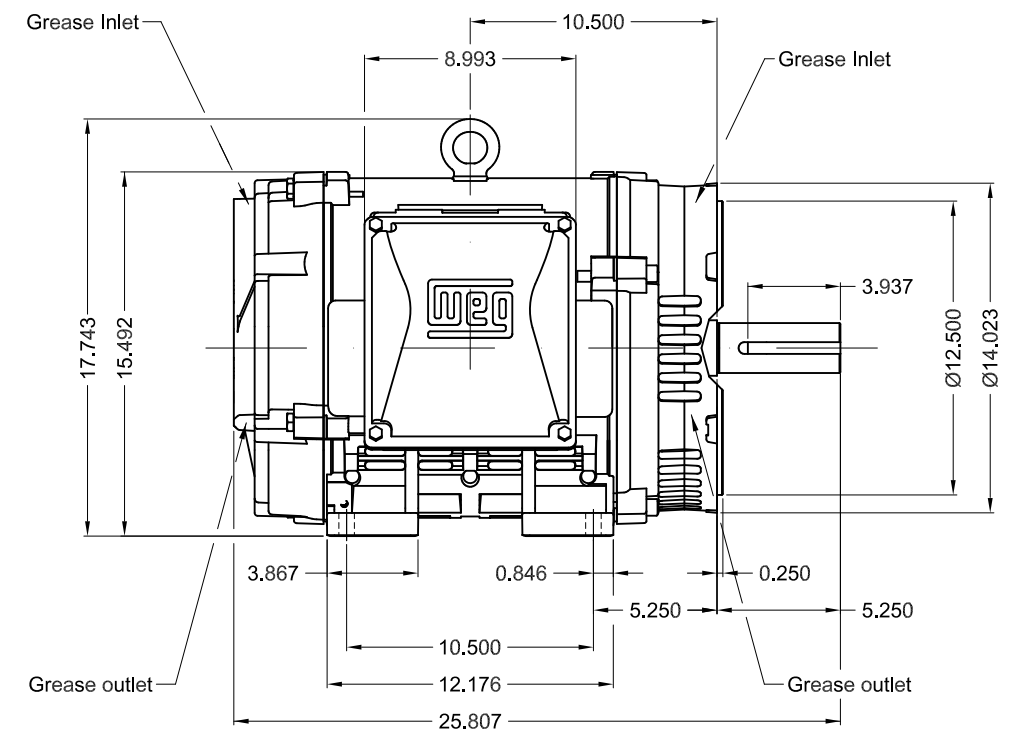
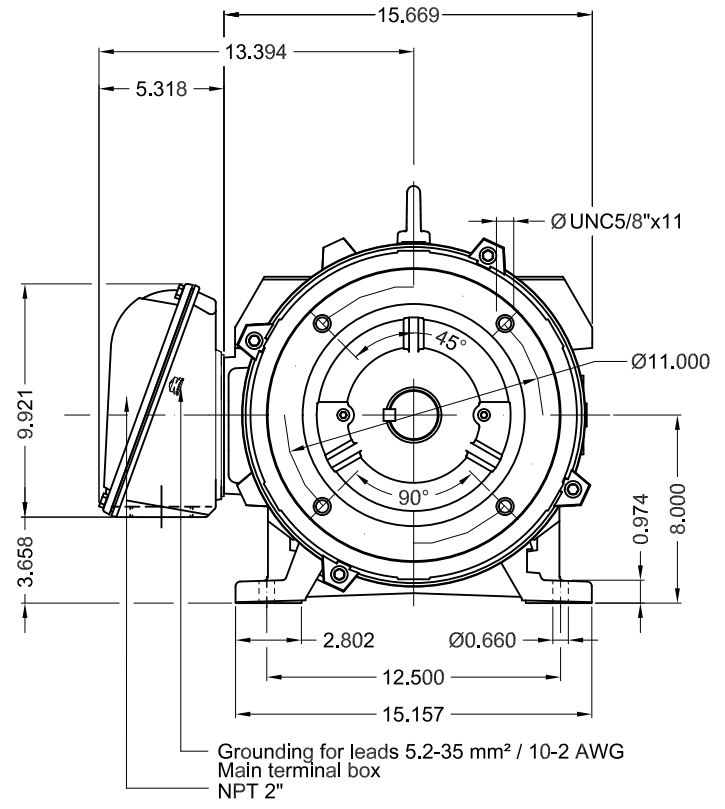


Performance : 200/400 V 60 Hz 4P

Rated current : 109/54.7 A
 LRC : 6.2
 Rated torque : 118 ft.lb
 Locked rotor torque : 200 %
 Breakdown torque : 240 %
 Rated speed : 1775 rpm

Moment of inertia (J) : 5.69 sq.ft.lb
 Duty cycle : Cont.(S1)
 Insulation class : F
 Service factor : 1.25
 Temperature rise : 80 K
 Design : B

Rev.	Changes Summary	Performed	Checked	Date
Performed by			Page 6 / 6	Revision
Checked by				
Date	12/04/2022			



Internal AEGIS ground ring on the DE
Color RAL 5009
Painting plan 203A
Mounting NEMA F-1
Mounting B34R(D)

40 HP 04 Poles 60 Hz A

1:8

ECM	LOC	SUMMARY OF MODIFICATIONS	EXECUTED	CHECKED	RELEASED	DATE	VER
EXECUTED	PIRWBUSER	THREE PH. MOTOR W40 PREM. EFF.					
CHECKED		FRAME 324TC IP23 ODP					
RELEASED							
REL DT.	WMO	Jaragua do Sul	Product Engineering	SHEET	1 / 1		

PREVIEW
WDD

