

TORQUE AND CURRENT VS SPEED CURVE

Three Phase Induction Motor - Squirrel Cage



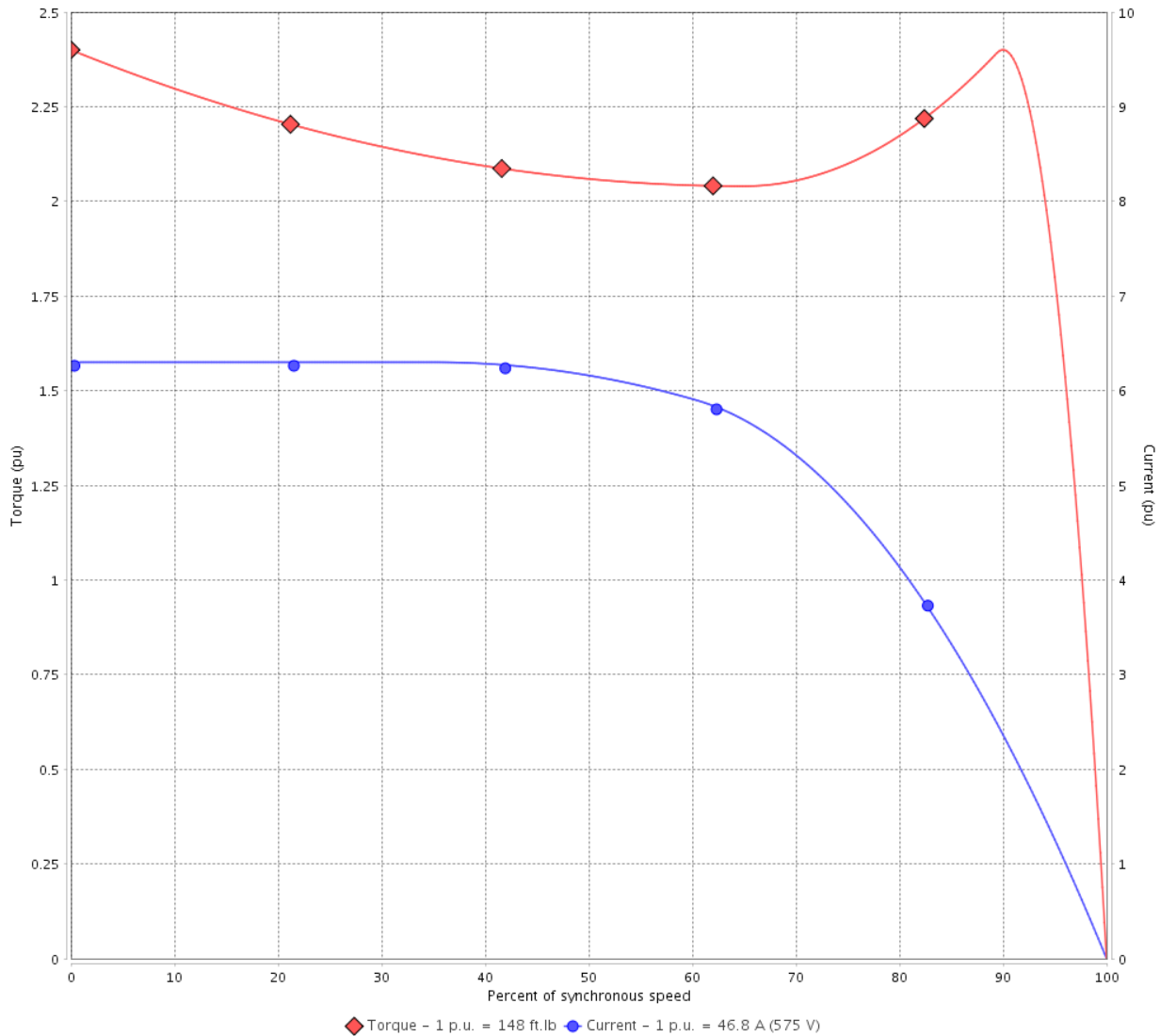
Customer :

Product line : W40 NEMA Premium Efficiency
Three-Phase

Product code : 14497308

Catalog # : 05018OT3H326T-W40

TORQUE AND CURRENT VS SPEED CURVE



Performance : 575 V 60 Hz 4P

Rated current	: 46.8 A	Moment of inertia (J)	: 7.08 sq.ft.lb
LRC	: 6.3	Duty cycle	: Cont.(S1)
Rated torque	: 148 ft.lb	Insulation class	: F
Locked rotor torque	: 240 %	Service factor	: 1.25
Breakdown torque	: 240 %	Temperature rise	: 80 K
Rated speed	: 1775 rpm	Design	: B

Locked rotor time : 19s (cold) 11s (hot)

Rev.	Changes Summary	Performed	Checked	Date
Performed by			Page 2 / 6	Revision
Checked by				
Date	12/04/2022			

LOAD PERFORMANCE CURVE

Three Phase Induction Motor - Squirrel Cage

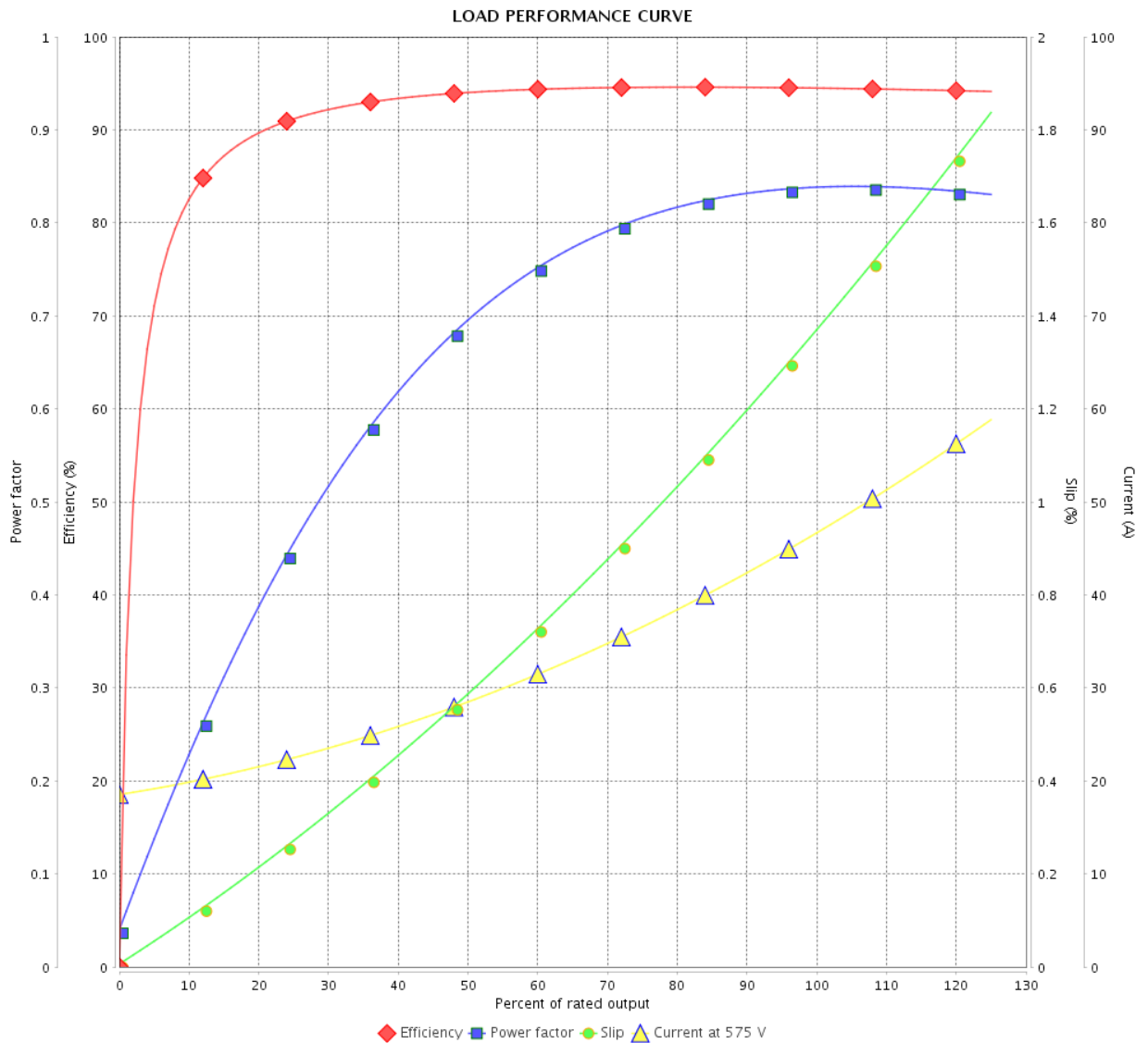


Customer : _____

Product line : W40 NEMA Premium Efficiency
Three-Phase

Product code : 14497308

Catalog # : 05018OT3H326T-W40



Performance : 575 V 60 Hz 4P

Rated current : 46.8 A
 LRC : 6.3
 Rated torque : 148 ft.lb
 Locked rotor torque : 240 %
 Breakdown torque : 240 %
 Rated speed : 1775 rpm

Moment of inertia (J) : 7.08 sq.ft.lb
 Duty cycle : Cont.(S1)
 Insulation class : F
 Service factor : 1.25
 Temperature rise : 80 K
 Design : B

Rev.	Changes Summary	Performed	Checked	Date
Performed by			Page	Revision
Checked by				
Date				

THERMAL LIMIT CURVE



Three Phase Induction Motor - Squirrel Cage

Customer :

Product line : W40 NEMA Premium Efficiency
Three-Phase

Product code : 14497308

Catalog # : 05018OT3H326T-W40

Performance : 575 V 60 Hz 4P

Rated current	: 46.8 A	Moment of inertia (J)	: 7.08 sq.ft.lb
LRC	: 6.3	Duty cycle	: Cont.(S1)
Rated torque	: 148 ft.lb	Insulation class	: F
Locked rotor torque	: 240 %	Service factor	: 1.25
Breakdown torque	: 240 %	Temperature rise	: 80 K
Rated speed	: 1775 rpm	Design	: B

Heating constant

Cooling constant

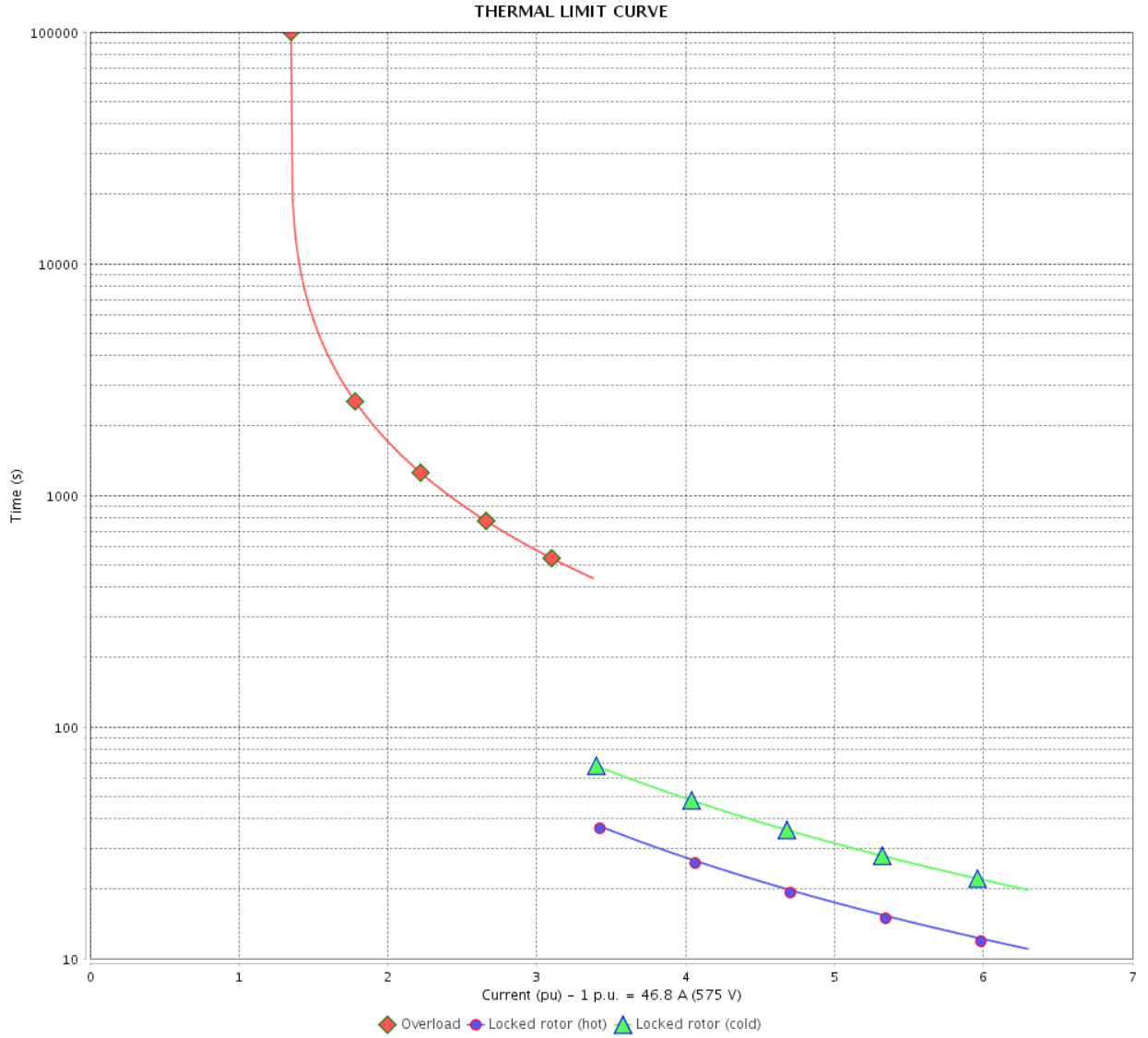
Rev.	Changes Summary	Performed	Checked	Date
Performed by				
Checked by			Page	Revision
Date	12/04/2022		4 / 6	

THERMAL LIMIT CURVE

Three Phase Induction Motor - Squirrel Cage



Customer : _____



Rev.	Changes Summary	Performed	Checked	Date
Performed by		Page 5 / 6		Revision
Checked by				
Date				

VFD OPERATION CURVE

Three Phase Induction Motor - Squirrel Cage



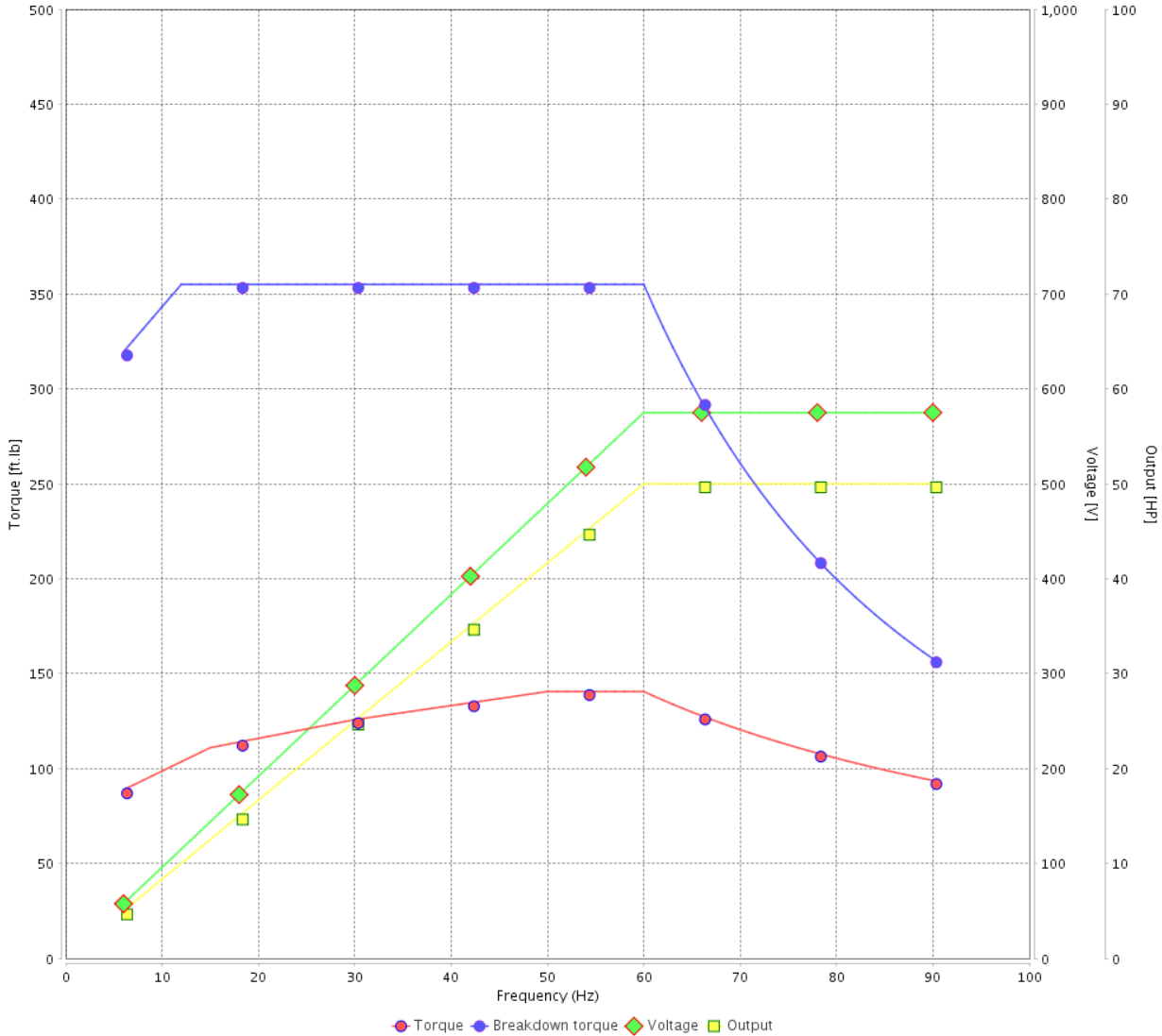
Customer :

Product line : W40 NEMA Premium Efficiency
Three-Phase

Product code : 14497308

Catalog # : 05018OT3H326T-W40

VFD OPERATION CURVE

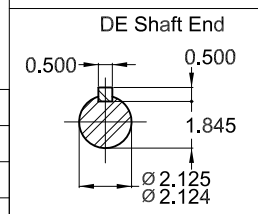
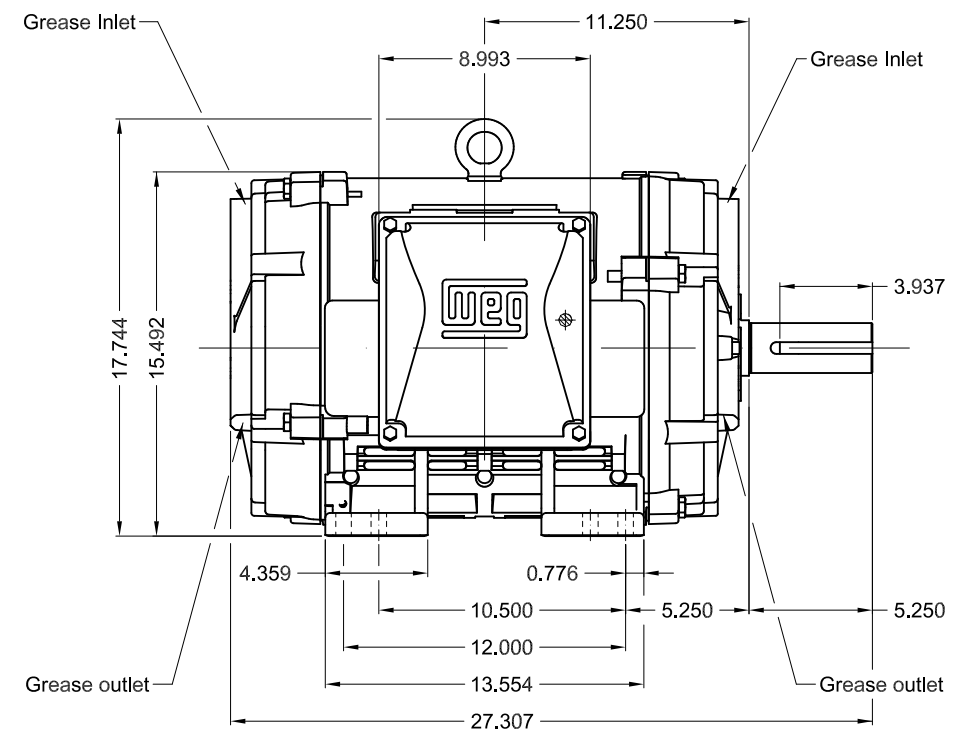
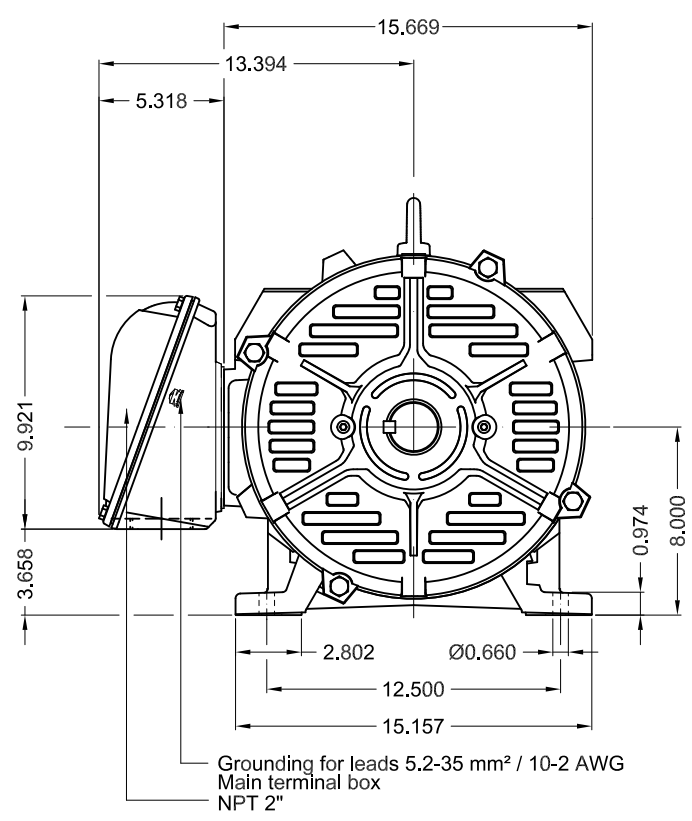


Performance : 575 V 60 Hz 4P

Rated current : 46.8 A
LRC : 6.3
Rated torque : 148 ft.lb
Locked rotor torque : 240 %
Breakdown torque : 240 %
Rated speed : 1775 rpm

Moment of inertia (J) : 7.08 sq.ft.lb
Duty cycle : Cont.(S1)
Insulation class : F
Service factor : 1.25
Temperature rise : 80 K
Design : B

Rev.	Changes Summary	Performed	Checked	Date
Performed by			Page 6 / 6	Revision
Checked by				
Date	12/04/2022			



Color RAL 5009
Painting plan 203A
Mounting NEMA F-1
Mounting B3R(D)

50 HP 04 Poles 60 Hz A

1:8

ECM	LOC	SUMMARY OF MODIFICATIONS	EXECUTED	CHECKED	RELEASED	DATE	VER
EXECUTED	PIRWBUSER	THREE PH. MOTOR W40 PREM. EFF.					
CHECKED		FRAME 324/6T IP23 ODP					
RELEASED							
REL DT.	WMO	Jaragua do Sul	Product Engineering	SHEET	1 / 1		

PREVIEW
WDD





W40 NEMA
CC029A Premium

Inverter Duty Motor



3PT9
 LISTED

IEC 60034-1

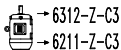
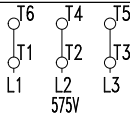
MOD.T01#FOXON



For use on PWM, VT 1000:1, CT 3:1, 1.0SF

DP050504NPW40
 MADE IN BRAZIL
 14497308

PH 3	FR 324/6T	HP(kW) 50(37)	Hz 60
V 575	A 46.8	IP23	
NEMA NOM EFF	94.5 %	RPM 1775	
ENCL ODP	DUTY CONT.	INS. CL. F Δ T 80 K	
PF 0.84	DES B	CODE G	AMB. 40°C
SF 1.25	SFA 58.5	ALT 1000 m.a.s.l.	



→ 6312-Z-C3

→ 6211-Z-C3

MOBIL POLYREX EM
 21 g 20000 h

509 Lbs