

DATA SHEET



Three Phase Induction Motor - Squirrel Cage

Customer :					
Product line		: W40 NEMA Premium Efficiency Three-Phase		Product code : 14270938	
				Catalog # : 06018OT3H364T-W40	
Frame	: 364/5T		Locked rotor time	: 34s (cold) 19s (hot)	
Output	: 60 HP (45 kW)		Temperature rise	: 80 K	
Poles	: 4		Duty cycle	: Cont.(S1)	
Frequency	: 60 Hz		Ambient temperature	: -20°C to +40°C	
Rated voltage	: 575 V		Altitude	: 1000 m.a.s.l.	
Rated current	: 55.9 A		Protection degree	: IP23	
L. R. Amperes	: 363 A		Cooling method	: IC01 - ODP	
LRC	: 6.5x(Code G)		Mounting	: F-1	
No load current	: 19.8 A		Rotation ¹	: Both (CW and CCW)	
Rated speed	: 1780 rpm		Noise level ²	: 69.0 dB(A)	
Slip	: 1.11 %		Starting method	: Direct On Line	
Rated torque	: 177 ft.lb		Approx. weight ³	: 743 lb	
Locked rotor torque	: 200 %				
Breakdown torque	: 240 %				
Insulation class	: F				
Service factor	: 1.25				
Moment of inertia (J)	: 15.6 sq.ft.lb				
Design	: B				
Output	25%	50%	75%	100%	
Efficiency (%)	94.4	94.5	95.0	95.0	
Power Factor	0.48	0.73	0.82	0.85	
Foundation loads					
Max. traction				: 1084 lb	
Max. compression				: 1827 lb	
		<u>Drive end</u>	<u>Non drive end</u>		
Bearing type	:	6314 C3	6212 Z C3		
Sealing	:	Without Bearing Seal	Without Bearing Seal		
Lubrication interval	:	20000 h	20000 h		
Lubricant amount	:	27 g	13 g		
Lubricant type	:	Mobil Polyrex EM			
Notes					
This revision replaces and cancel the previous one, which must be eliminated. (1) Looking the motor from the shaft end. (2) Measured at 1m and with tolerance of +3dB(A). (3) Approximate weight subject to changes after manufacturing process. (4) At 100% of full load.			These are average values based on tests with sinusoidal power supply, subject to the tolerances stipulated in NEMA MG-1.		
Rev.	Changes Summary		Performed	Checked	Date
Performed by					
Checked by				Page	Revision
Date	12/04/2022			1 / 6	

TORQUE AND CURRENT VS SPEED CURVE

Three Phase Induction Motor - Squirrel Cage

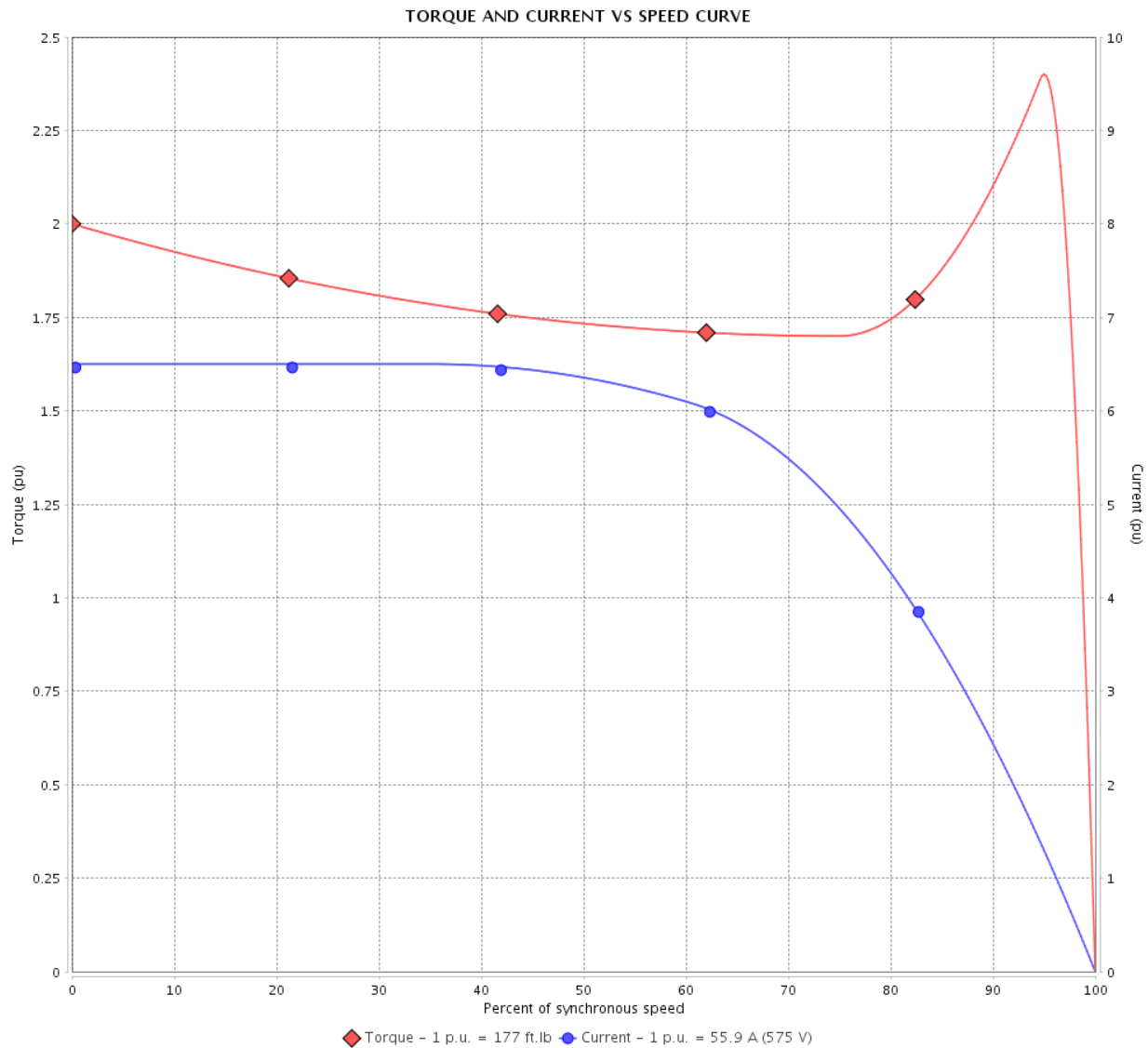


Customer :

Product line : W40 NEMA Premium Efficiency
Three-Phase

Product code : 14270938

Catalog # : 06018OT3H364T-W40



Performance : 575 V 60 Hz 4P

Rated current	: 55.9 A	Moment of inertia (J)	: 15.6 sq.ft.lb
LRC	: 6.5	Duty cycle	: Cont.(S1)
Rated torque	: 177 ft.lb	Insulation class	: F
Locked rotor torque	: 200 %	Service factor	: 1.25
Breakdown torque	: 240 %	Temperature rise	: 80 K
Rated speed	: 1780 rpm	Design	: B

Locked rotor time : 34s (cold) 19s (hot)

Rev.	Changes Summary	Performed	Checked	Date
Performed by			Page 2 / 6	Revision
Checked by				
Date	12/04/2022			

LOAD PERFORMANCE CURVE

Three Phase Induction Motor - Squirrel Cage

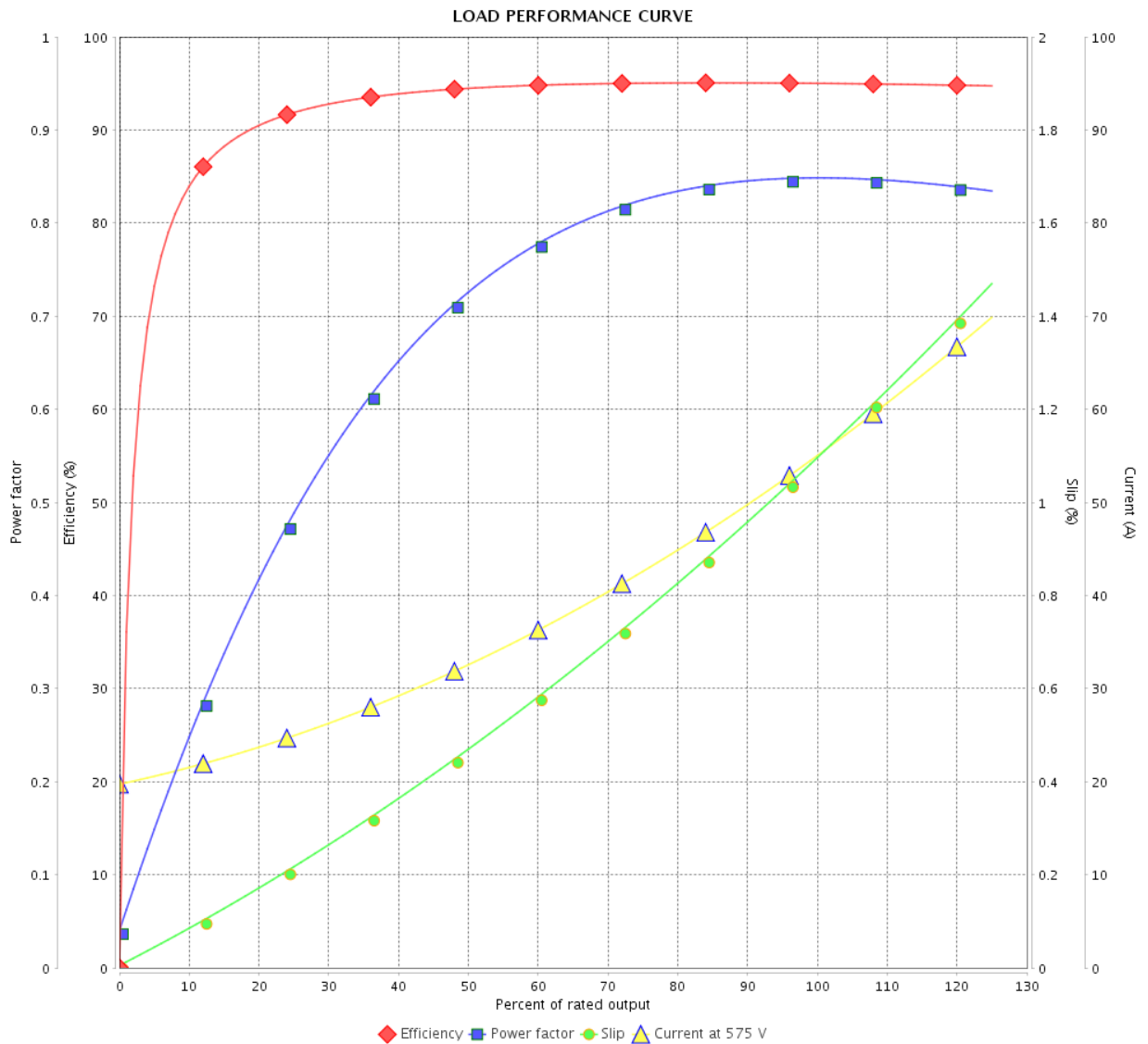


Customer :

Product line : W40 NEMA Premium Efficiency Three-Phase

Product code : 14270938

Catalog # : 06018OT3H364T-W40



Performance : 575 V 60 Hz 4P

Rated current : 55.9 A
 LRC : 6.5
 Rated torque : 177 ft.lb
 Locked rotor torque : 200 %
 Breakdown torque : 240 %
 Rated speed : 1780 rpm

Moment of inertia (J) : 15.6 sq.ft.lb
 Duty cycle : Cont.(S1)
 Insulation class : F
 Service factor : 1.25
 Temperature rise : 80 K
 Design : B

Rev.	Changes Summary	Performed	Checked	Date
Performed by		Page		Revision
Checked by		3 / 6		
Date		12/04/2022		

THERMAL LIMIT CURVE



Three Phase Induction Motor - Squirrel Cage

Customer :

Product line : W40 NEMA Premium Efficiency
Three-Phase

Product code : 14270938

Catalog # : 06018OT3H364T-W40

Performance : 575 V 60 Hz 4P

Rated current	: 55.9 A	Moment of inertia (J)	: 15.6 sq.ft.lb
LRC	: 6.5	Duty cycle	: Cont.(S1)
Rated torque	: 177 ft.lb	Insulation class	: F
Locked rotor torque	: 200 %	Service factor	: 1.25
Breakdown torque	: 240 %	Temperature rise	: 80 K
Rated speed	: 1780 rpm	Design	: B

Heating constant

Cooling constant

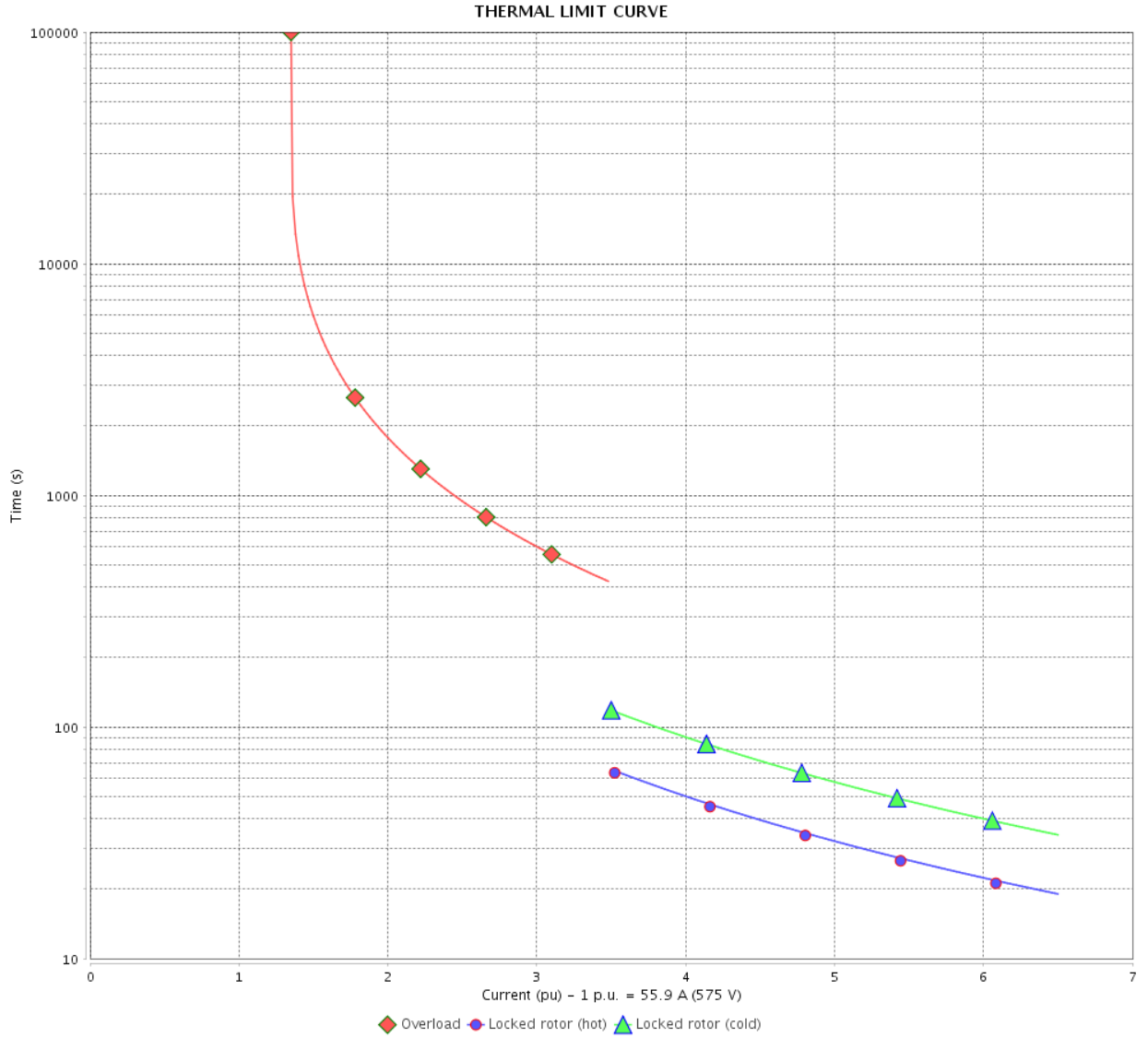
Rev.	Changes Summary	Performed	Checked	Date
Performed by				
Checked by			Page	Revision
Date	12/04/2022		4 / 6	

THERMAL LIMIT CURVE

Three Phase Induction Motor - Squirrel Cage



Customer : _____



Rev.	Changes Summary	Performed	Checked	Date
Performed by		Page 5 / 6		Revision
Checked by				
Date				

VFD OPERATION CURVE

Three Phase Induction Motor - Squirrel Cage

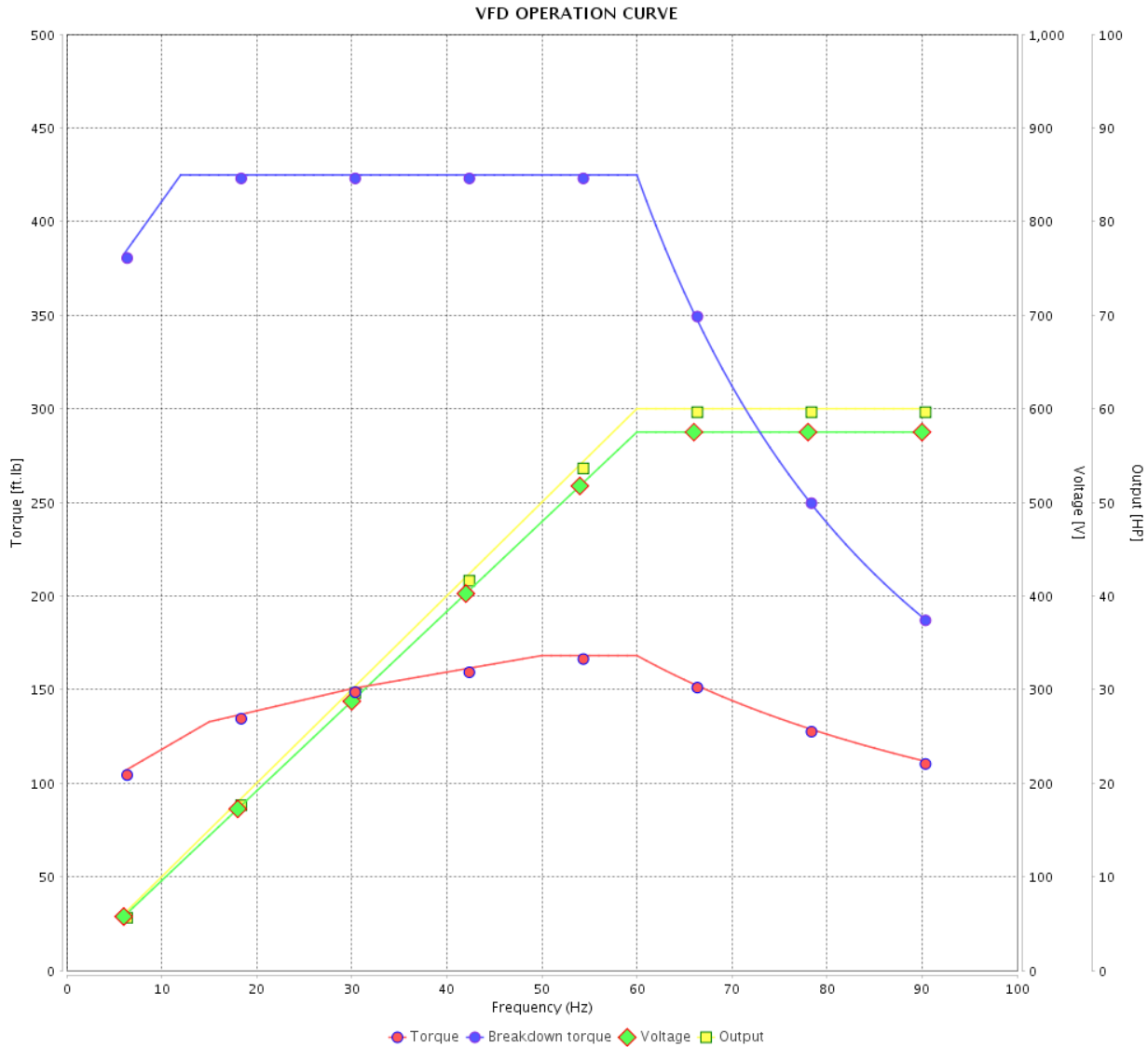


Customer :

Product line : W40 NEMA Premium Efficiency
Three-Phase

Product code : 14270938

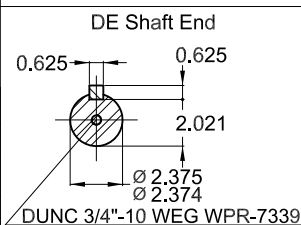
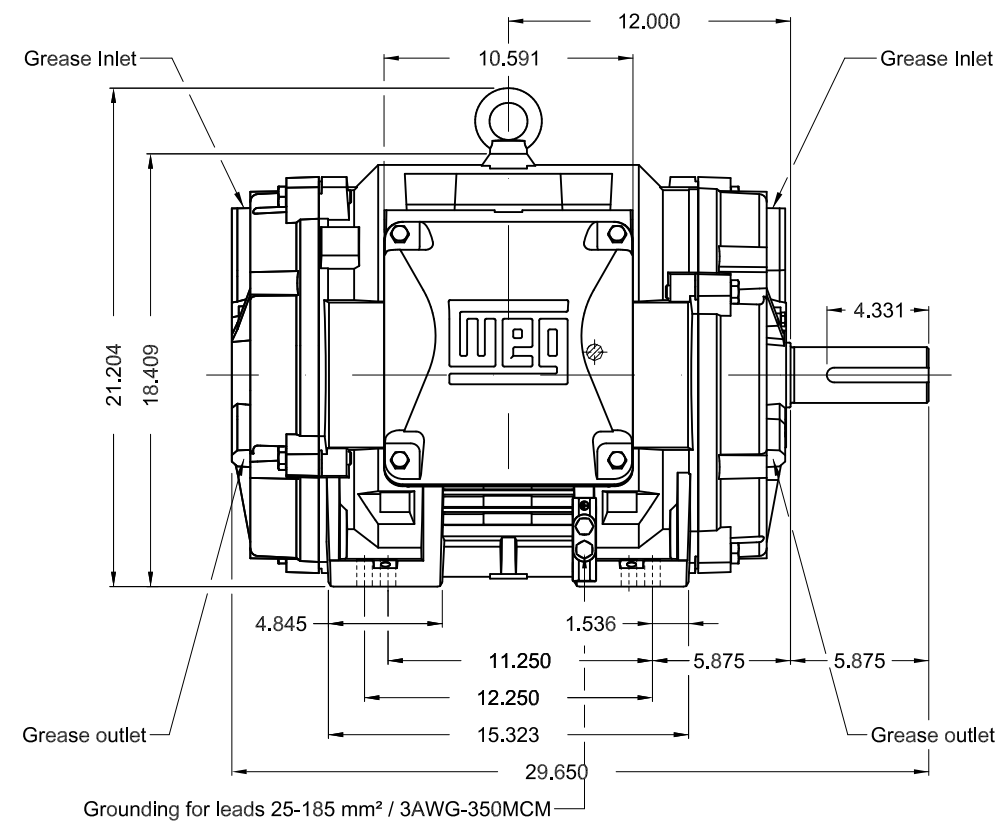
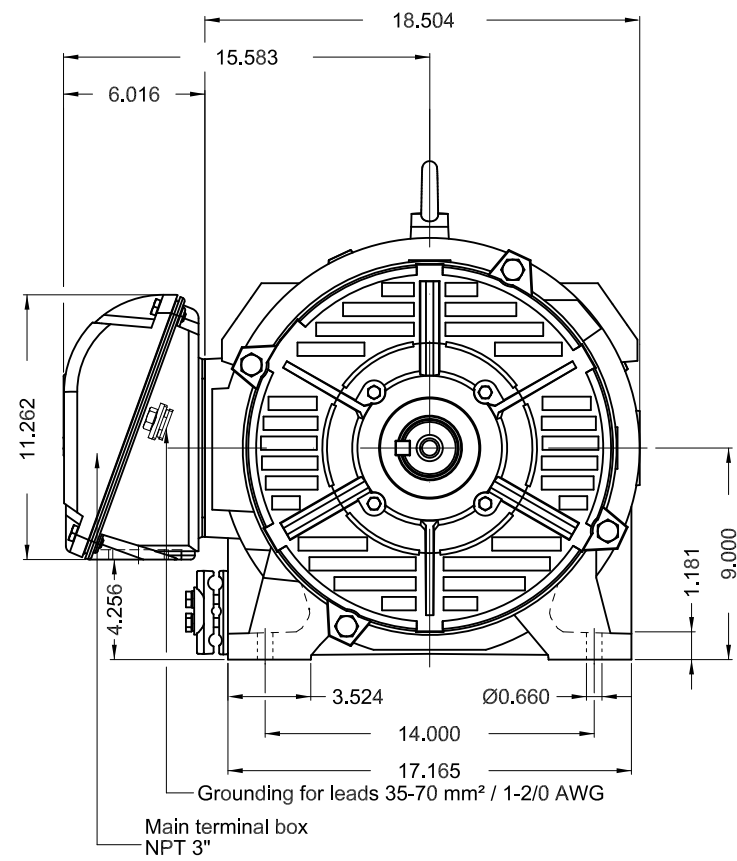
Catalog # : 06018OT3H364T-W40



Performance : 575 V 60 Hz 4P

Rated current	: 55.9 A	Moment of inertia (J)	: 15.6 sq.ft.lb
LRC	: 6.5	Duty cycle	: Cont.(S1)
Rated torque	: 177 ft.lb	Insulation class	: F
Locked rotor torque	: 200 %	Service factor	: 1.25
Breakdown torque	: 240 %	Temperature rise	: 80 K
Rated speed	: 1780 rpm	Design	: B

Rev.	Changes Summary	Performed	Checked	Date
Performed by			Page 6 / 6	Revision
Checked by				
Date	12/04/2022			



Color RAL 5009
 Painting plan 203A
 Mounting NEMA F-1
 Mounting B3R(D)

60 HP 04 Poles 60 Hz

A

1:8

ECM	LOC	SUMMARY OF MODIFICATIONS	EXECUTED	CHECKED	RELEASED	DATE	VER
EXECUTED	PIRWBUSER	THREE PH. MOTOR W40 PREM. EFF.					
CHECKED		FRAME 364/5T IP23 ODP					
RELEASED							
REL DT.	WMO	Jaragua do Sul	Product Engineering				

PREVIEW
 WDD



SHEET 1 / 1

MODEL 060180T3H364T-W40
MADE IN BRAZIL
14270938

WEG **W40 NEMA**
CC029A Premium
Inverter Duty Motor

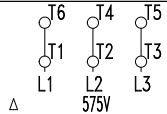
UL US **3PT9 LISTED**


MOD.T01#FOXON

SP US
Energy Verified

For use on PWM, VT 1000:1, CT 2:1, 1.0SF

PH 3	FR 364/5T	HP(kW) 60(45)		Hz 60
V 575		A 55.9		IP23
NEMA NOM EFF		95.0	%	RPM 1780
ENCL ODP	DUTY CONT.		INS. CL. F Δ T 80 K	
PF 0.85		DES B	CODE G	AMB. 40°C
SF 1.25	SFA 69.9		ALT 1000 m.a.s.l.	



 → 6314-C3(27g) MOBIL POLYREX EM
→ 6212-Z-C3(13g) 20000 h

743 Lbs