

DATA SHEET



Three Phase Induction Motor - Squirrel Cage

Customer :				
Product line	: W40 JP Pump NEMA Premium Efficiency Three-Phase			
Product code :	14836795			
Catalog # :	06018OT3V364JPV-W40			
Frame	: 364/5JP			
Output	: 60 HP (45 kW)			
Poles	: 4			
Frequency	: 60 Hz			
Rated voltage	: 200/400 V			
Rated current	: 161/80.4 A			
L. R. Amperes	: 1045/523 A			
LRC	: 6.5x(Code G)			
No load current	: 56.8/28.4 A			
Rated speed	: 1780 rpm			
Slip	: 1.11 %			
Rated torque	: 177 ft.lb			
Locked rotor torque	: 200 %			
Breakdown torque	: 240 %			
Insulation class	: F			
Service factor	: 1.25			
Moment of inertia (J)	: 15.6 sq.ft.lb			
Design	: B			
Locked rotor time	: 34s (cold) 19s (hot)			
Temperature rise	: 80 K			
Duty cycle	: Cont.(S1)			
Ambient temperature	: -20°C to +40°C			
Altitude	: 1000 m.a.s.l.			
Protection degree	: IP23			
Cooling method	: IC01 - ODP			
Mounting	: W-6			
Rotation ¹	: Both (CW and CCW)			
Noise level ²	: 69.0 dB(A)			
Starting method	: Direct On Line			
Approx. weight ³	: 753 lb			
Output	25% 50% 75% 100%			
Efficiency (%)	94.4 94.5 95.0 95.0			
Power Factor	0.48 0.73 0.82 0.85			
Foundation loads				
Max. traction	: 1079 lb			
Max. compression	: 1832 lb			
Bearing type	: <u>Drive end</u> 6314 C3 <u>Non drive end</u> 6212 Z C3			
Sealing	: Without Bearing Seal Without Bearing Seal			
Lubrication interval	: 19579 h 20000 h			
Lubricant amount	: 27 g 13 g			
Lubricant type	: Mobil Polyrex EM			
Notes				
This revision replaces and cancel the previous one, which must be eliminated. (1) Looking the motor from the shaft end. (2) Measured at 1m and with tolerance of +3dB(A). (3) Approximate weight subject to changes after manufacturing process. (4) At 100% of full load.				
These are average values based on tests with sinusoidal power supply, subject to the tolerances stipulated in NEMA MG-1.				
Rev.	Changes Summary	Performed	Checked	Date
Performed by				
Checked by			Page	Revision
Date	12/04/2022		1 / 6	

TORQUE AND CURRENT VS SPEED CURVE

Three Phase Induction Motor - Squirrel Cage



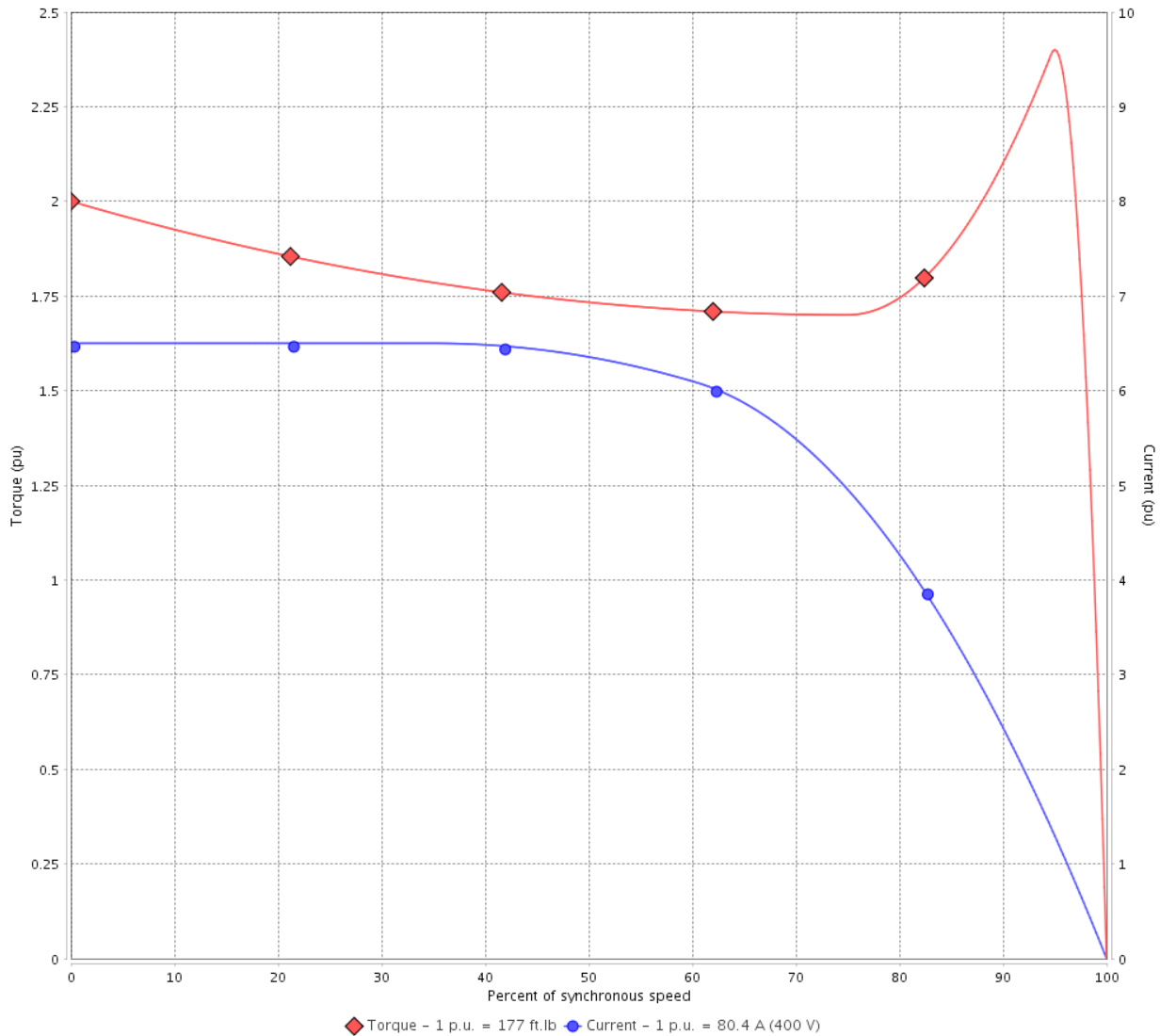
Customer :

Product line : W40 JP Pump NEMA Premium Efficiency Three-Phase

Product code : 14836795

Catalog # : 06018OT3V364JPV-W40

TORQUE AND CURRENT VS SPEED CURVE



Performance : 200/400 V 60 Hz 4P

Rated current	: 161/80.4 A	Moment of inertia (J)	: 15.6 sq.ft.lb
LRC	: 6.5	Duty cycle	: Cont.(S1)
Rated torque	: 177 ft.lb	Insulation class	: F
Locked rotor torque	: 200 %	Service factor	: 1.25
Breakdown torque	: 240 %	Temperature rise	: 80 K
Rated speed	: 1780 rpm	Design	: B

Locked rotor time : 34s (cold) 19s (hot)

Rev.	Changes Summary	Performed	Checked	Date
Performed by			Page 2 / 6	Revision
Checked by				
Date	12/04/2022			

LOAD PERFORMANCE CURVE

Three Phase Induction Motor - Squirrel Cage

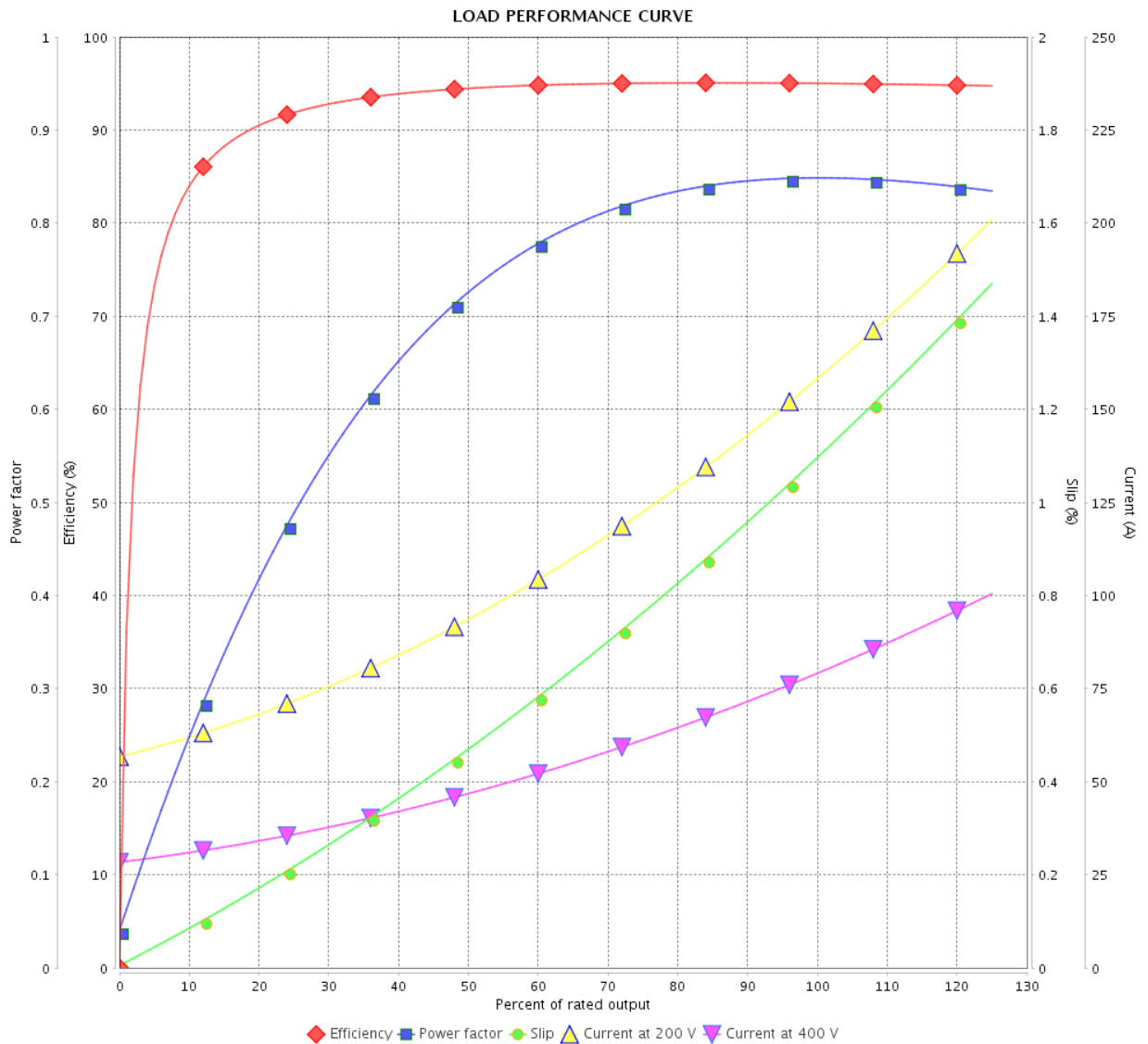


Customer :

Product line : W40 JP Pump NEMA Premium Efficiency Three-Phase

Product code : 14836795

Catalog # : 06018OT3V364JPV-W40



Performance : 200/400 V 60 Hz 4P

Rated current : 161/80.4 A
 LRC : 6.5
 Rated torque : 177 ft.lb
 Locked rotor torque : 200 %
 Breakdown torque : 240 %
 Rated speed : 1780 rpm

Moment of inertia (J) : 15.6 sq.ft.lb
 Duty cycle : Cont.(S1)
 Insulation class : F
 Service factor : 1.25
 Temperature rise : 80 K
 Design : B

Rev.	Changes Summary	Performed	Checked	Date
Performed by		Page		Revision
Checked by		3 / 6		
Date	12/04/2022			

THERMAL LIMIT CURVE



Three Phase Induction Motor - Squirrel Cage

Customer :

Product line : W40 JP Pump NEMA Premium
Efficiency Three-Phase

Product code : 14836795

Catalog # : 06018OT3V364JPV-W40

Performance : 200/400 V 60 Hz 4P

Rated current : 161/80.4 A
LRC : 6.5
Rated torque : 177 ft.lb
Locked rotor torque : 200 %
Breakdown torque : 240 %
Rated speed : 1780 rpm

Moment of inertia (J) : 15.6 sq.ft.lb
Duty cycle : Cont.(S1)
Insulation class : F
Service factor : 1.25
Temperature rise : 80 K
Design : B

Heating constant

Cooling constant

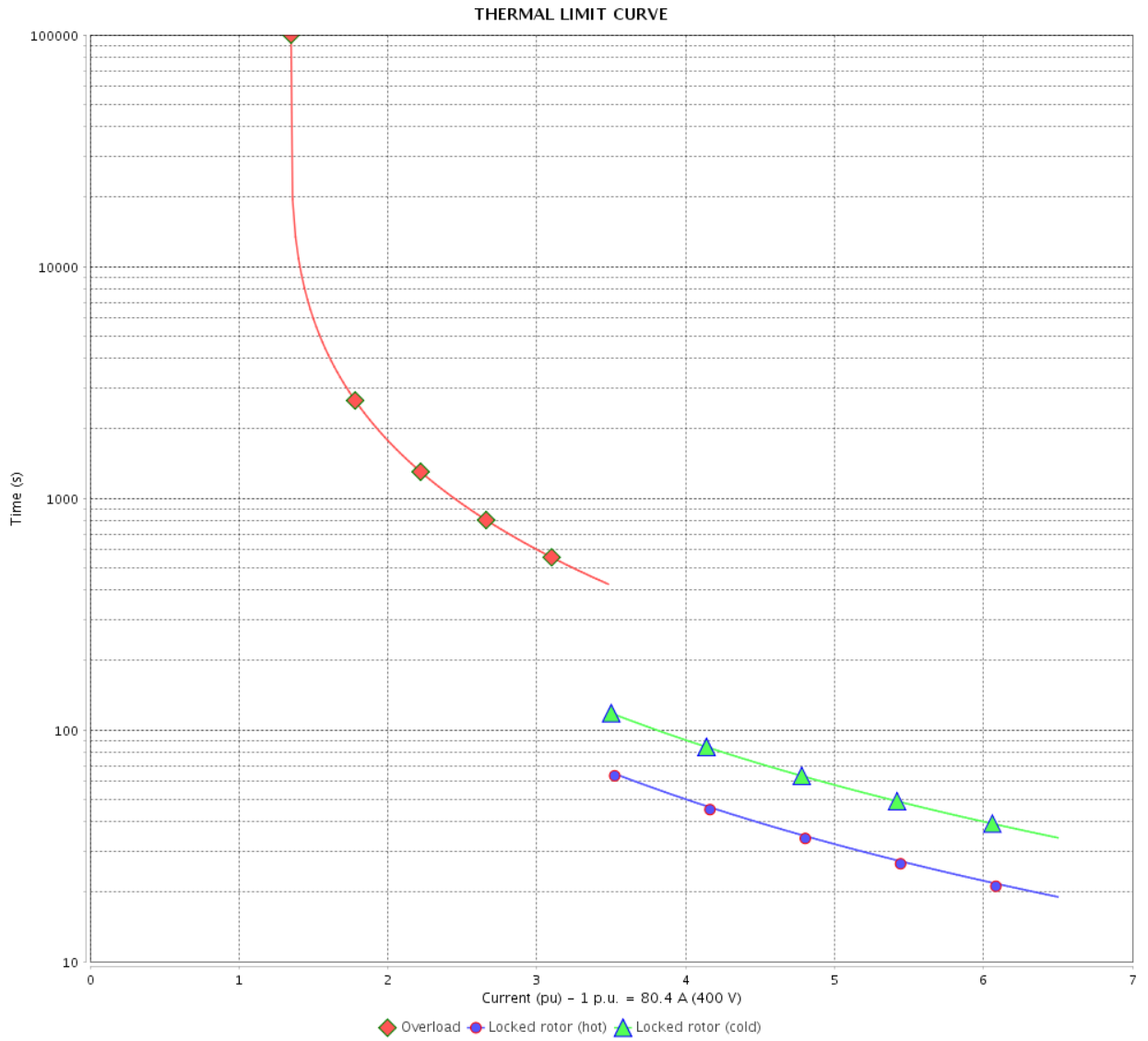
Rev.	Changes Summary	Performed	Checked	Date
Performed by				
Checked by			Page	Revision
Date	12/04/2022		4 / 6	

THERMAL LIMIT CURVE

Three Phase Induction Motor - Squirrel Cage



Customer : _____



Rev.	Changes Summary	Performed	Checked	Date
Performed by		Page 5 / 6 Revision		
Checked by				
Date				

VFD OPERATION CURVE

Three Phase Induction Motor - Squirrel Cage



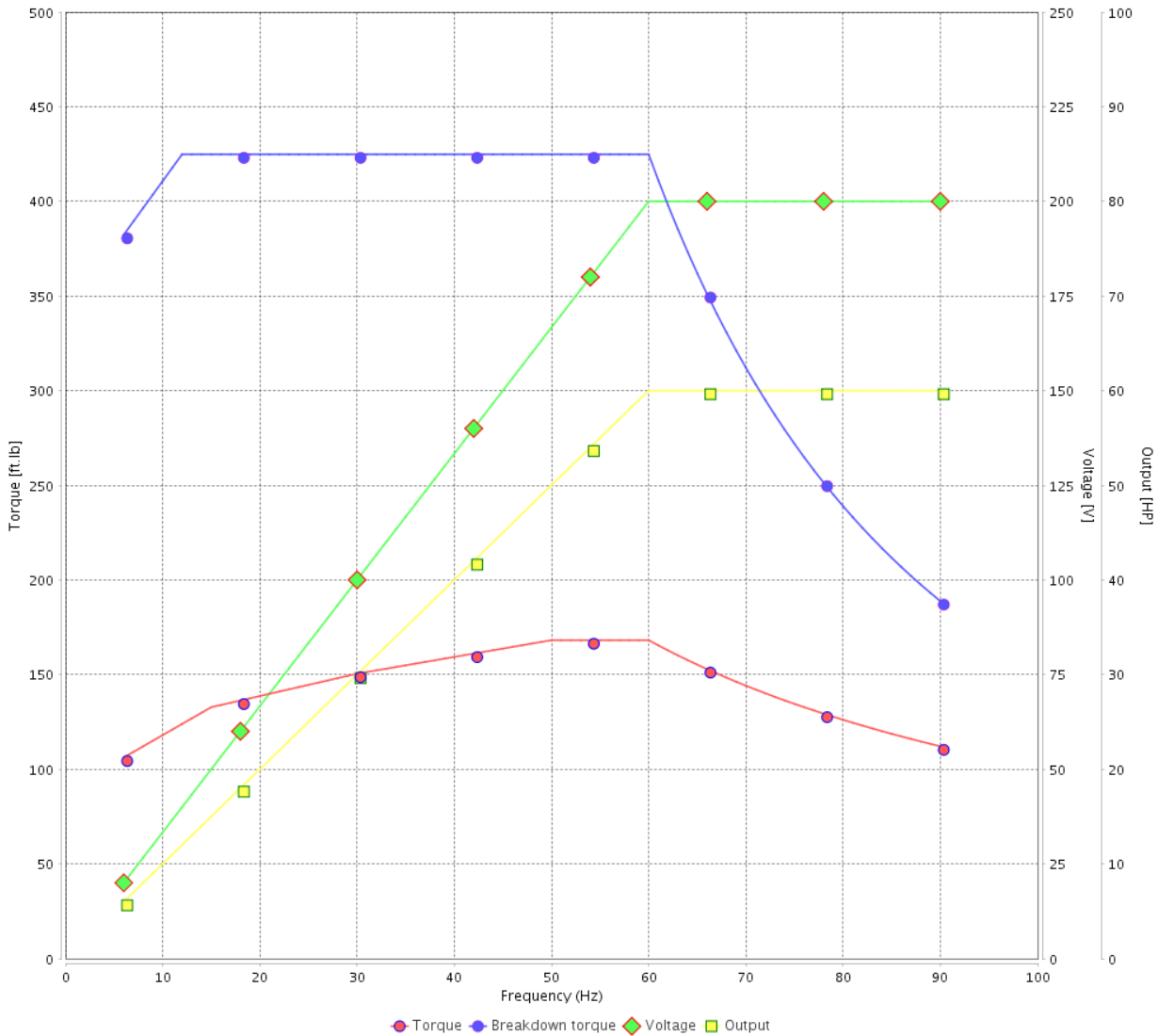
Customer :

Product line : W40 JP Pump NEMA Premium Efficiency Three-Phase

Product code : 14836795

Catalog # : 06018OT3V364JPV-W40

VFD OPERATION CURVE

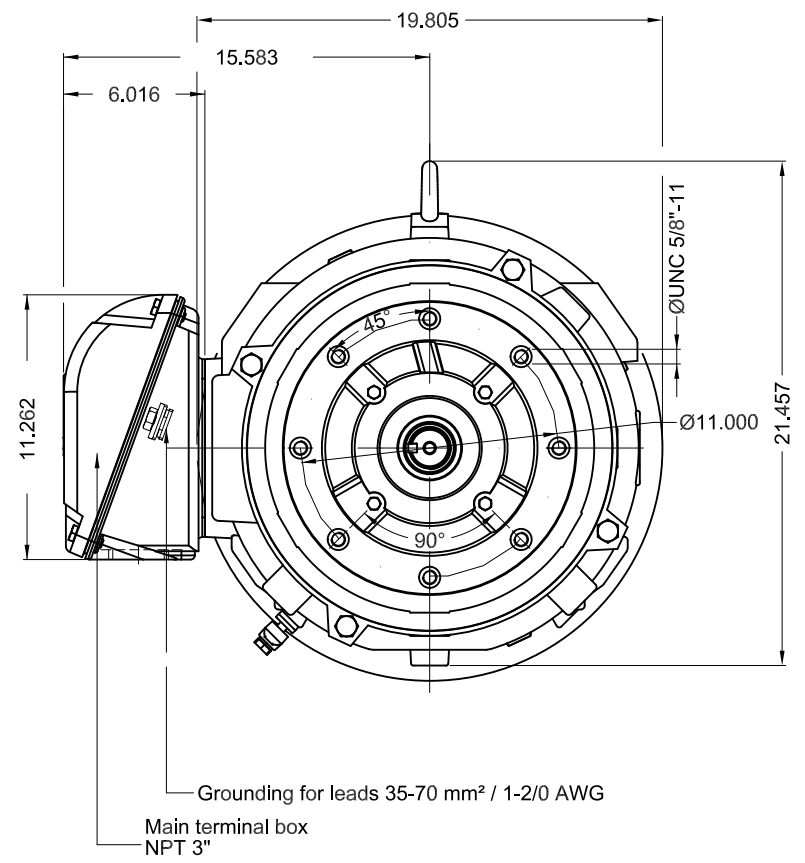


Performance : 200/400 V 60 Hz 4P

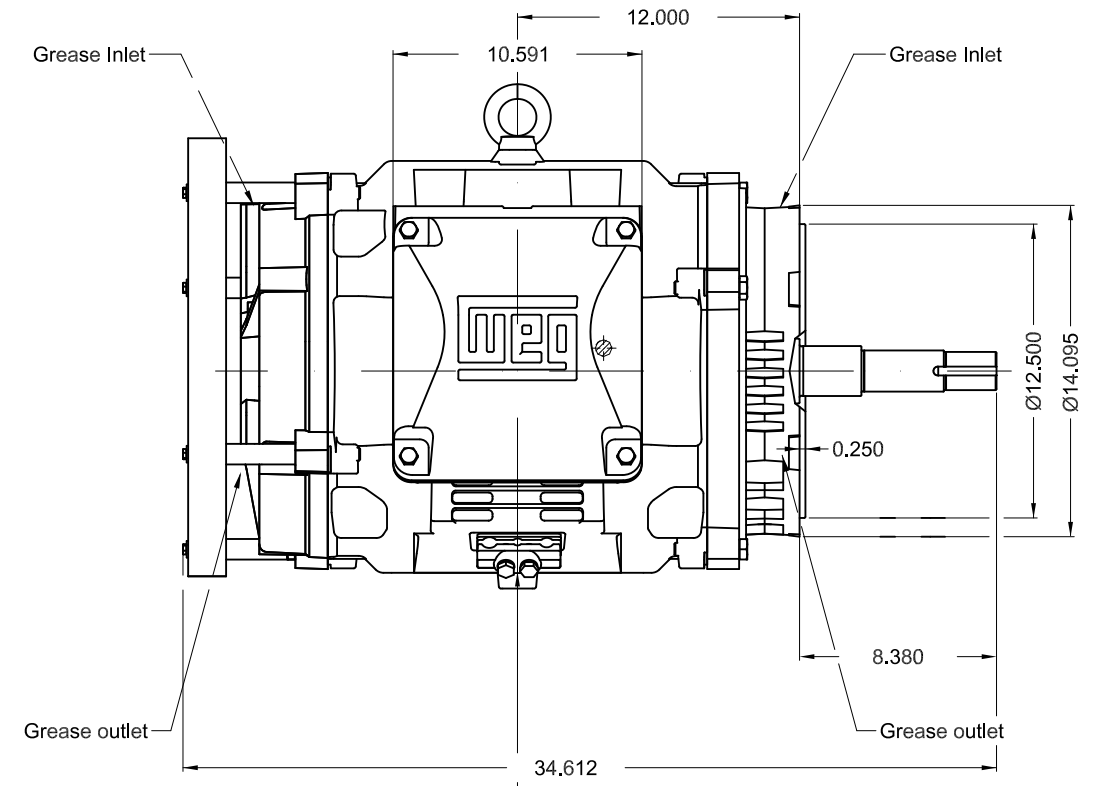
Rated current : 161/80.4 A
 LRC : 6.5
 Rated torque : 177 ft.lb
 Locked rotor torque : 200 %
 Breakdown torque : 240 %
 Rated speed : 1780 rpm

Moment of inertia (J) : 15.6 sq.ft.lb
 Duty cycle : Cont.(S1)
 Insulation class : F
 Service factor : 1.25
 Temperature rise : 80 K
 Design : B

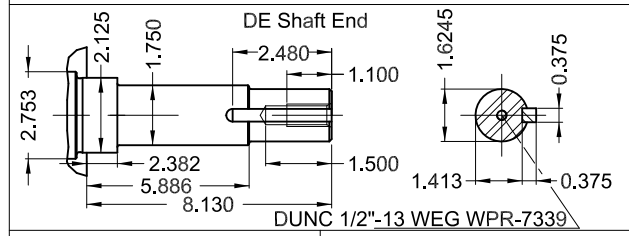
Rev.	Changes Summary	Performed	Checked	Date
Performed by			Page 6 / 6	Revision
Checked by				
Date	12/04/2022			



Grounding for leads 35-70 mm² / 1-2/0 AWG
Main terminal box
NPT 3"



Grounding for leads 25-185 mm² / 3AWG-350MCM



60 HP 04 Poles 60 Hz A

1:8

ECM	LOC	SUMMARY OF MODIFICATIONS	EXECUTED	CHECKED	RELEASED	DATE	VER
EXECUTED	PIRWBUSER	THREE PH. MOTOR W40 CLOSE COUPLED PUMP JP TYPE PREM. FT.					
CHECKED		FRAME 364/5JP IP23 ODP					
RELEASED							
REL DT.	WMO	Jaragua do Sul	Product Engineering	SHEET	1 / 1		

- Color RAL 5009
- Painting plan 203A
- Mounting NEMA W-6
- Mounting V18

PREVIEW
WDD

