



# TORQUE AND CURRENT VS SPEED CURVE

Three Phase Induction Motor - Squirrel Cage



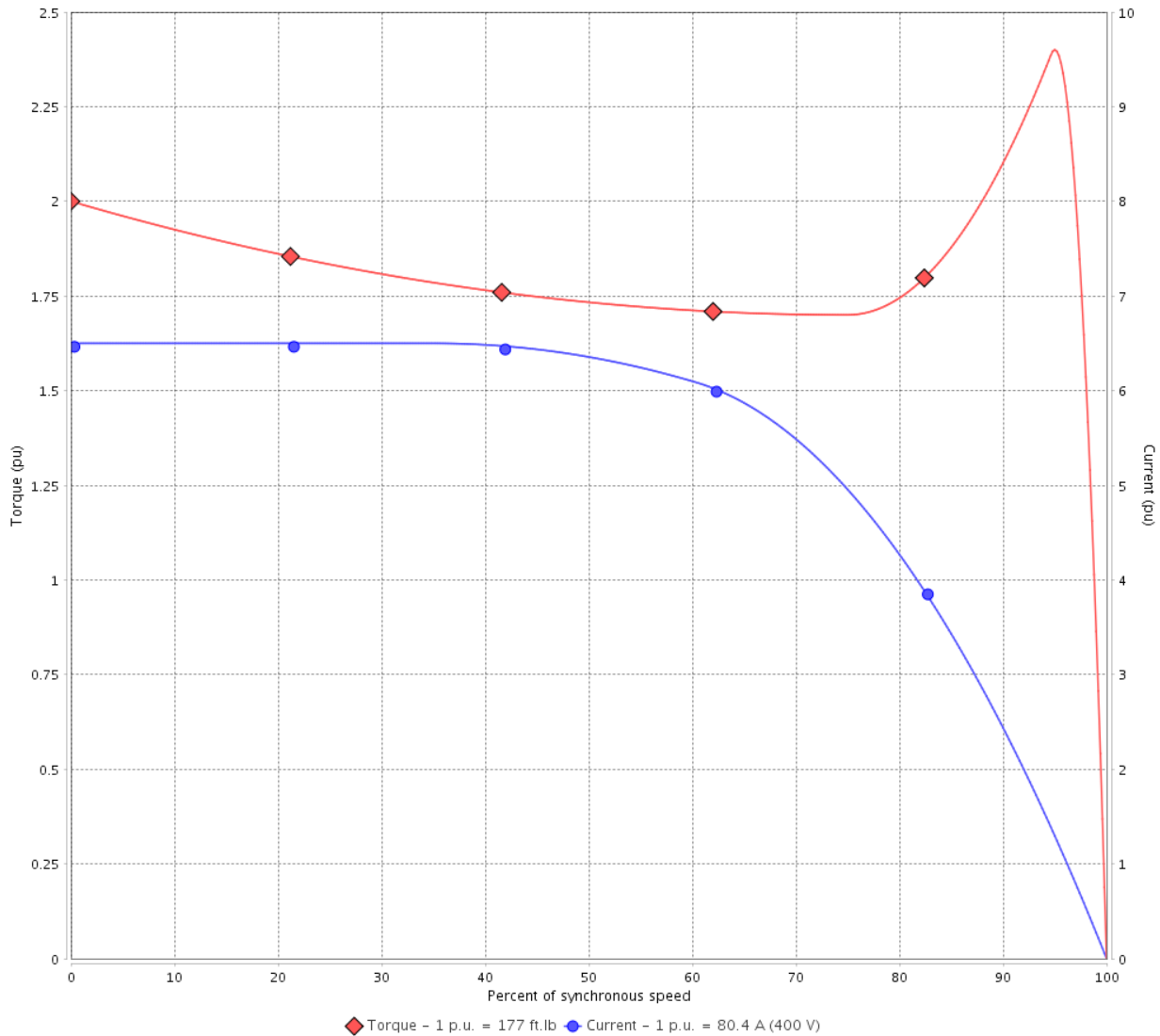
Customer :

Product line : W40 NEMA Premium Efficiency  
Three-Phase

Product code : 14270940

Catalog # : 06018OT3V364TS-W40

TORQUE AND CURRENT VS SPEED CURVE



Performance : 200/400 V 60 Hz 4P

Rated current : 161/80.4 A  
LRC : 6.5  
Rated torque : 177 ft.lb  
Locked rotor torque : 200 %  
Breakdown torque : 240 %  
Rated speed : 1780 rpm

Moment of inertia (J) : 15.6 sq.ft.lb  
Duty cycle : Cont.(S1)  
Insulation class : F  
Service factor : 1.25  
Temperature rise : 80 K  
Design : B

Locked rotor time : 34s (cold) 19s (hot)

Rev.	Changes Summary	Performed	Checked	Date
Performed by			Page 2 / 6	Revision
Checked by				
Date	12/04/2022			

# LOAD PERFORMANCE CURVE

## Three Phase Induction Motor - Squirrel Cage

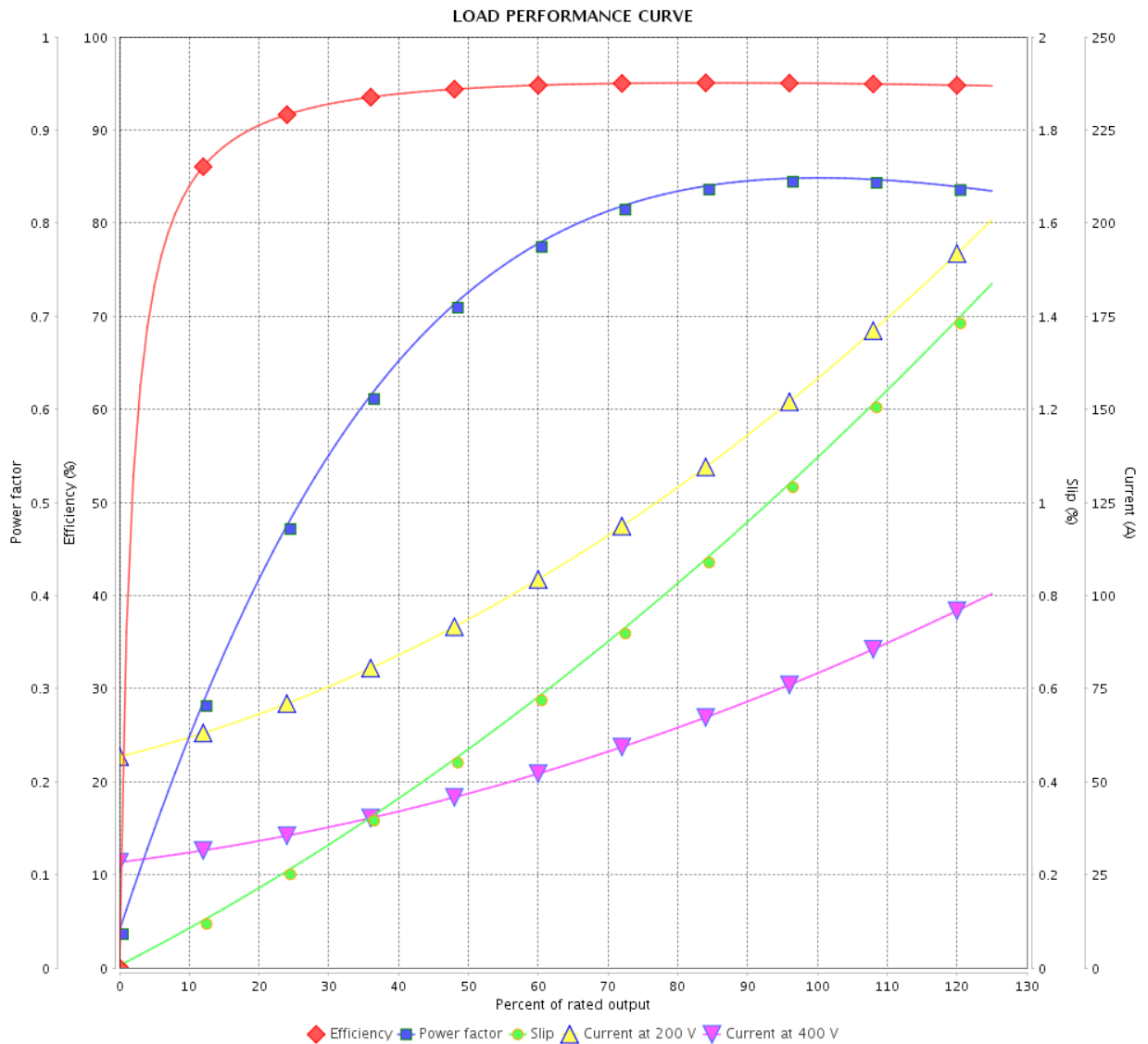


Customer :

Product line : W40 NEMA Premium Efficiency Three-Phase

Product code : 14270940

Catalog # : 06018OT3V364TS-W40



Performance : 200/400 V 60 Hz 4P

Rated current : 161/80.4 A  
 LRC : 6.5  
 Rated torque : 177 ft.lb  
 Locked rotor torque : 200 %  
 Breakdown torque : 240 %  
 Rated speed : 1780 rpm

Moment of inertia (J) : 15.6 sq.ft.lb  
 Duty cycle : Cont.(S1)  
 Insulation class : F  
 Service factor : 1.25  
 Temperature rise : 80 K  
 Design : B

Rev.	Changes Summary	Performed	Checked	Date
Performed by		Page		Revision
Checked by		3 / 6		
Date		12/04/2022		

# THERMAL LIMIT CURVE



## Three Phase Induction Motor - Squirrel Cage

Customer :

Product line : W40 NEMA Premium Efficiency  
Three-Phase

Product code : 14270940

Catalog # : 06018OT3V364TS-W40

Performance : 200/400 V 60 Hz 4P

Rated current : 161/80.4 A  
LRC : 6.5  
Rated torque : 177 ft.lb  
Locked rotor torque : 200 %  
Breakdown torque : 240 %  
Rated speed : 1780 rpm

Moment of inertia (J) : 15.6 sq.ft.lb  
Duty cycle : Cont.(S1)  
Insulation class : F  
Service factor : 1.25  
Temperature rise : 80 K  
Design : B

Heating constant

Cooling constant

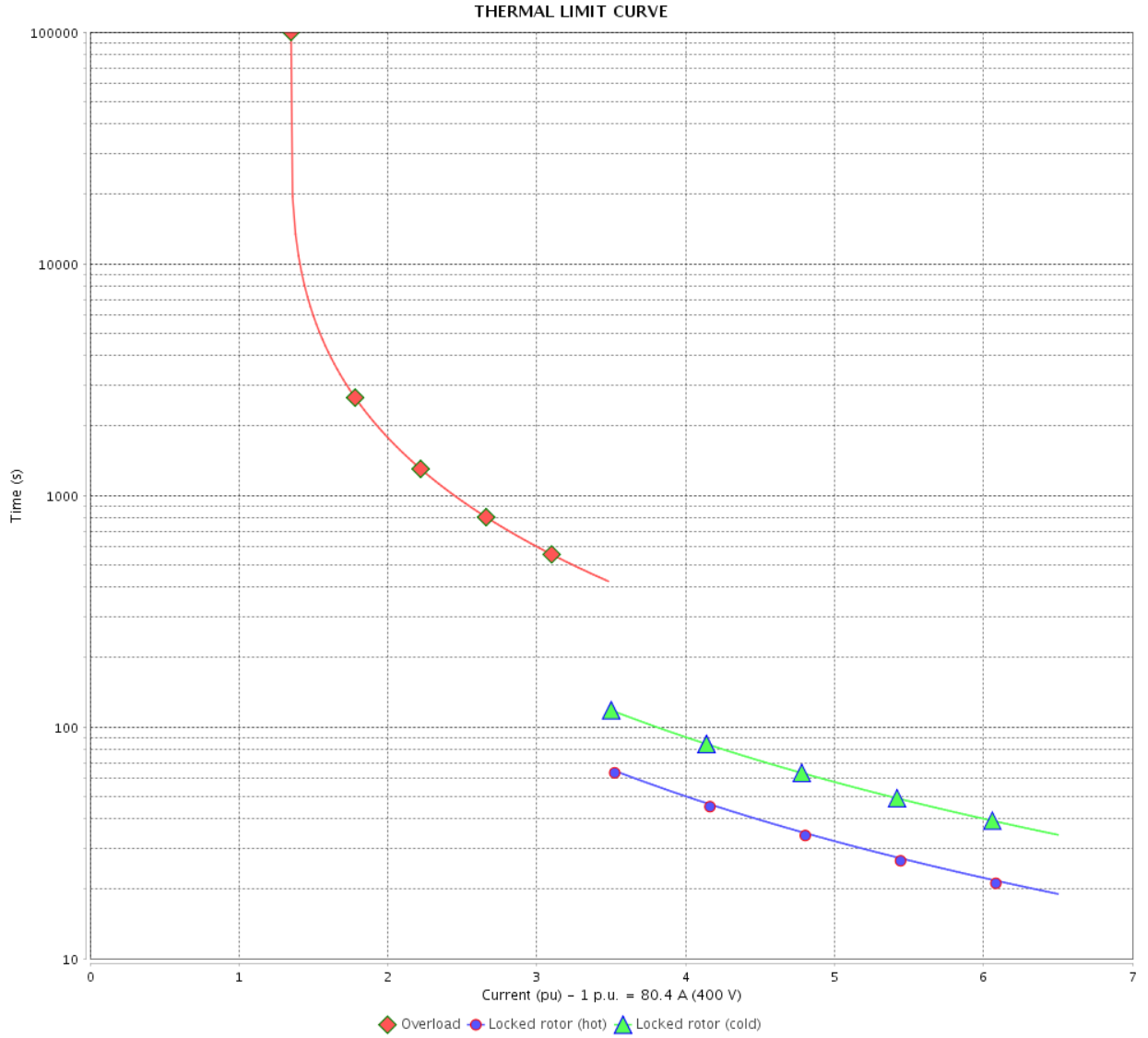
Rev.	Changes Summary	Performed	Checked	Date
Performed by				
Checked by			Page	Revision
Date	12/04/2022		4 / 6	

# THERMAL LIMIT CURVE

Three Phase Induction Motor - Squirrel Cage



Customer : \_\_\_\_\_



Rev.	Changes Summary	Performed	Checked	Date
Performed by		Page 5 / 6		Revision
Checked by				
Date				

# VFD OPERATION CURVE

Three Phase Induction Motor - Squirrel Cage

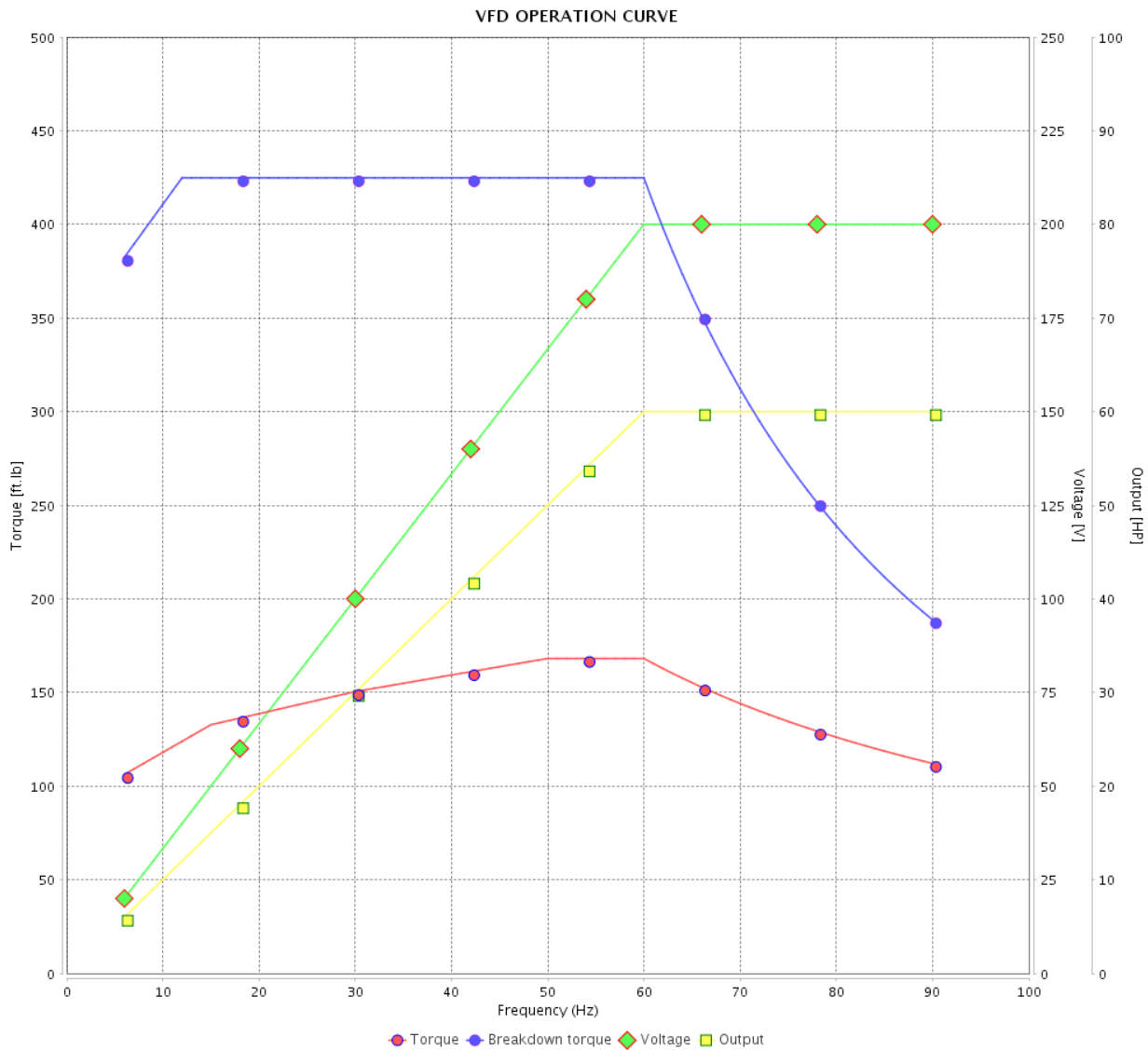


Customer :

Product line : W40 NEMA Premium Efficiency  
Three-Phase

Product code : 14270940

Catalog # : 06018OT3V364TS-W40

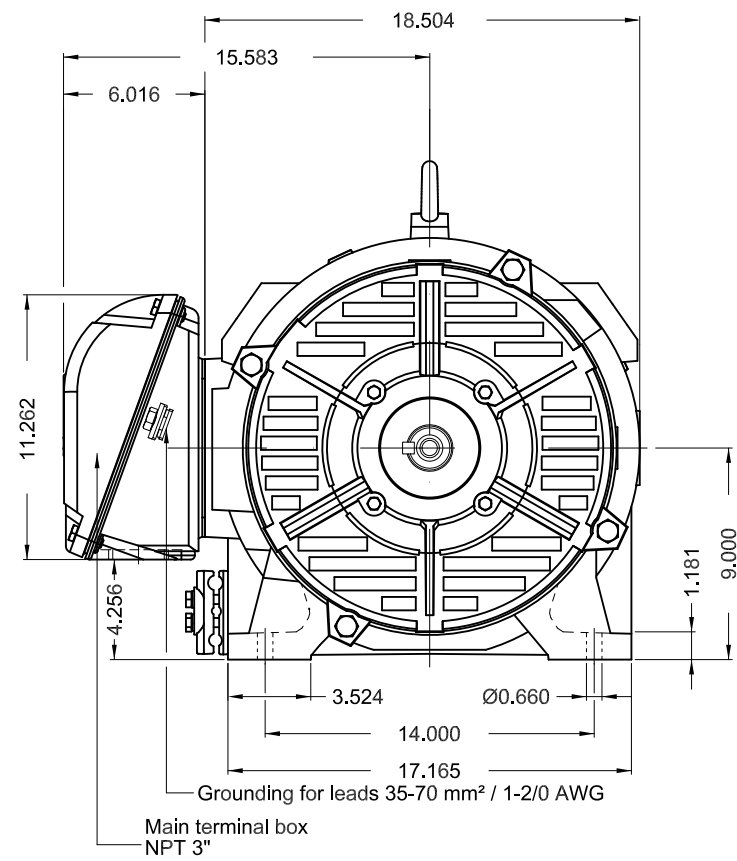


Performance : 200/400 V 60 Hz 4P

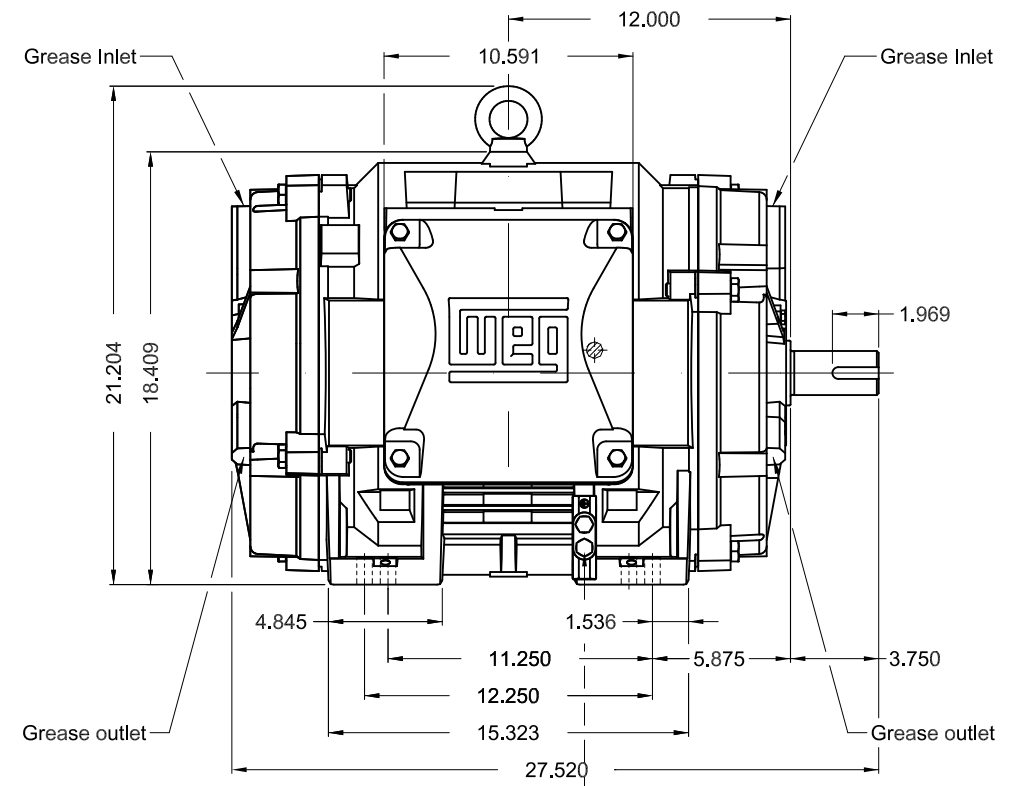
Rated current : 161/80.4 A  
LRC : 6.5  
Rated torque : 177 ft.lb  
Locked rotor torque : 200 %  
Breakdown torque : 240 %  
Rated speed : 1780 rpm

Moment of inertia (J) : 15.6 sq.ft.lb  
Duty cycle : Cont.(S1)  
Insulation class : F  
Service factor : 1.25  
Temperature rise : 80 K  
Design : B

Rev.	Changes Summary	Performed	Checked	Date
Performed by			Page 6 / 6	Revision
Checked by				
Date	12/04/2022			



Grounding for leads 35-70 mm<sup>2</sup> / 1-2/0 AWG  
Main terminal box  
NPT 3"



Grounding for leads 25-185 mm<sup>2</sup> / 3AWG-350MCM

60 HP 04 Poles 60 Hz

A

1:8

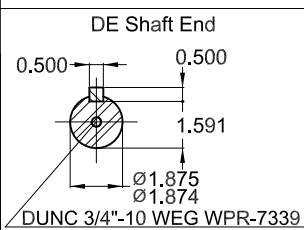
TS shaft end

Color RAL 5009

Painting plan 203A

Mounting NEMA F-1

Mounting B3R(D)



DUNC 3/4"-10 WEG WPR-7339

ECM	LOC	SUMMARY OF MODIFICATIONS	EXECUTED	CHECKED	RELEASED	DATE	VER
EXECUTED	PIRWBUSER	THREE PH. MOTOR W40 PREM. EFF.					
CHECKED		FRAME 364/5TS IP23 ODP					
RELEASED							
REL DT.	WMO	Jaragua do Sul	Product Engineering				

PREVIEW  
WDD



SHEET 1 / 1