

DATA SHEET



Three Phase Induction Motor - Squirrel Cage

| | | | | | | | | | | | | | | | | | | | |
|----------------------------------------------------------------------------------------------------------------------------------------------------------------------------------------------------------------------------------------------------------------------------------------------------------------------------------------------------------------------------------------------------------------------------------------------------|----------------------------------------------------------------------------------------------------------------------------------------------------------------------------------------------------------------------------------------------------------------------------------------------------------------------------------------------------------------------------------------------------------------------------------------------------------------------------------------------------------------------------------------|----------------------|------------------|----------------------|--------------|-----------|---------|---------|--------------|------------|----------------------|-----------|---------|------------------|--------|------|----------------|--------------------|--|
| Customer : | | | | | | | | | | | | | | | | | | | |
| Product line | : NEMA Premium Efficiency Three-Phase | | | | | | | | | | | | | | | | | | |
| Product code : | 11431670 | | | | | | | | | | | | | | | | | | |
| Catalog # : | 06018ST3HIE364T-W22 | | | | | | | | | | | | | | | | | | |
| Frame : 364/5T Output : 60 HP (45 kW) Poles : 4 Frequency : 60 Hz Rated voltage : 575 V Rated current : 57.3 A L. R. Amperes : 355 A LRC : 6.2x(Code G) No load current : 20.8 A Rated speed : 1780 rpm Slip : 1.11 % Rated torque : 177 ft.lb Locked rotor torque : 220 % Breakdown torque : 240 % Insulation class : F Service factor : 1.25 Moment of inertia (J) : 22.4 sq.ft.lb Design : B | Locked rotor time : 27s (cold) 15s (hot) Temperature rise : 80 K Duty cycle : Cont.(S1) Ambient temperature : -20°C to +40°C Altitude : 1000 m.a.s.l. Protection degree : IP55 Cooling method : IC411 - TEFC Mounting : F-1 Rotation ¹ : Both (CW and CCW) Noise level ² : 67.0 dB(A) Starting method : Direct On Line Approx. weight ³ : 888 lb | | | | | | | | | | | | | | | | | | |
| Output | 25% 50% 75% 100% | | | | | | | | | | | | | | | | | | |
| Efficiency (%) | 93.5 94.1 94.5 95.0 | | | | | | | | | | | | | | | | | | |
| Power Factor | 0.46 0.71 0.80 0.83 | | | | | | | | | | | | | | | | | | |
| Foundation loads | | | | | | | | | | | | | | | | | | | |
| Max. traction | : 1010 lb | | | | | | | | | | | | | | | | | | |
| Max. compression | : 1898 lb | | | | | | | | | | | | | | | | | | |
| | <table border="0"> <tr> <td></td> <td style="text-align: center;"><u>Drive end</u></td> <td style="text-align: center;"><u>Non drive end</u></td> </tr> <tr> <td>Bearing type</td> <td>: 6314 C3</td> <td>6314 C3</td> </tr> <tr> <td>Sealing</td> <td>: Inpro/Seal</td> <td>Inpro/Seal</td> </tr> <tr> <td>Lubrication interval</td> <td>: 12000 h</td> <td>12000 h</td> </tr> <tr> <td>Lubricant amount</td> <td>: 27 g</td> <td>27 g</td> </tr> <tr> <td>Lubricant type</td> <td colspan="2">: Mobil Polyrex EM</td> </tr> </table> | | <u>Drive end</u> | <u>Non drive end</u> | Bearing type | : 6314 C3 | 6314 C3 | Sealing | : Inpro/Seal | Inpro/Seal | Lubrication interval | : 12000 h | 12000 h | Lubricant amount | : 27 g | 27 g | Lubricant type | : Mobil Polyrex EM | |
| | <u>Drive end</u> | <u>Non drive end</u> | | | | | | | | | | | | | | | | | |
| Bearing type | : 6314 C3 | 6314 C3 | | | | | | | | | | | | | | | | | |
| Sealing | : Inpro/Seal | Inpro/Seal | | | | | | | | | | | | | | | | | |
| Lubrication interval | : 12000 h | 12000 h | | | | | | | | | | | | | | | | | |
| Lubricant amount | : 27 g | 27 g | | | | | | | | | | | | | | | | | |
| Lubricant type | : Mobil Polyrex EM | | | | | | | | | | | | | | | | | | |
| Notes | | | | | | | | | | | | | | | | | | | |
| This revision replaces and cancel the previous one, which must be eliminated. (1) Looking the motor from the shaft end. (2) Measured at 1m and with tolerance of +3dB(A). (3) Approximate weight subject to changes after manufacturing process. (4) At 100% of full load. | | | | | | | | | | | | | | | | | | | |
| These are average values based on tests with sinusoidal power supply, subject to the tolerances stipulated in NEMA MG-1. | | | | | | | | | | | | | | | | | | | |
| Rev. | Changes Summary | Performed | Checked | Date | | | | | | | | | | | | | | | |
| Performed by | | | | | | | | | | | | | | | | | | | |
| Checked by | | | Page | Revision | | | | | | | | | | | | | | | |
| Date | 12/04/2022 | | 1 / 6 | | | | | | | | | | | | | | | | |

TORQUE AND CURRENT VS SPEED CURVE

Three Phase Induction Motor - Squirrel Cage



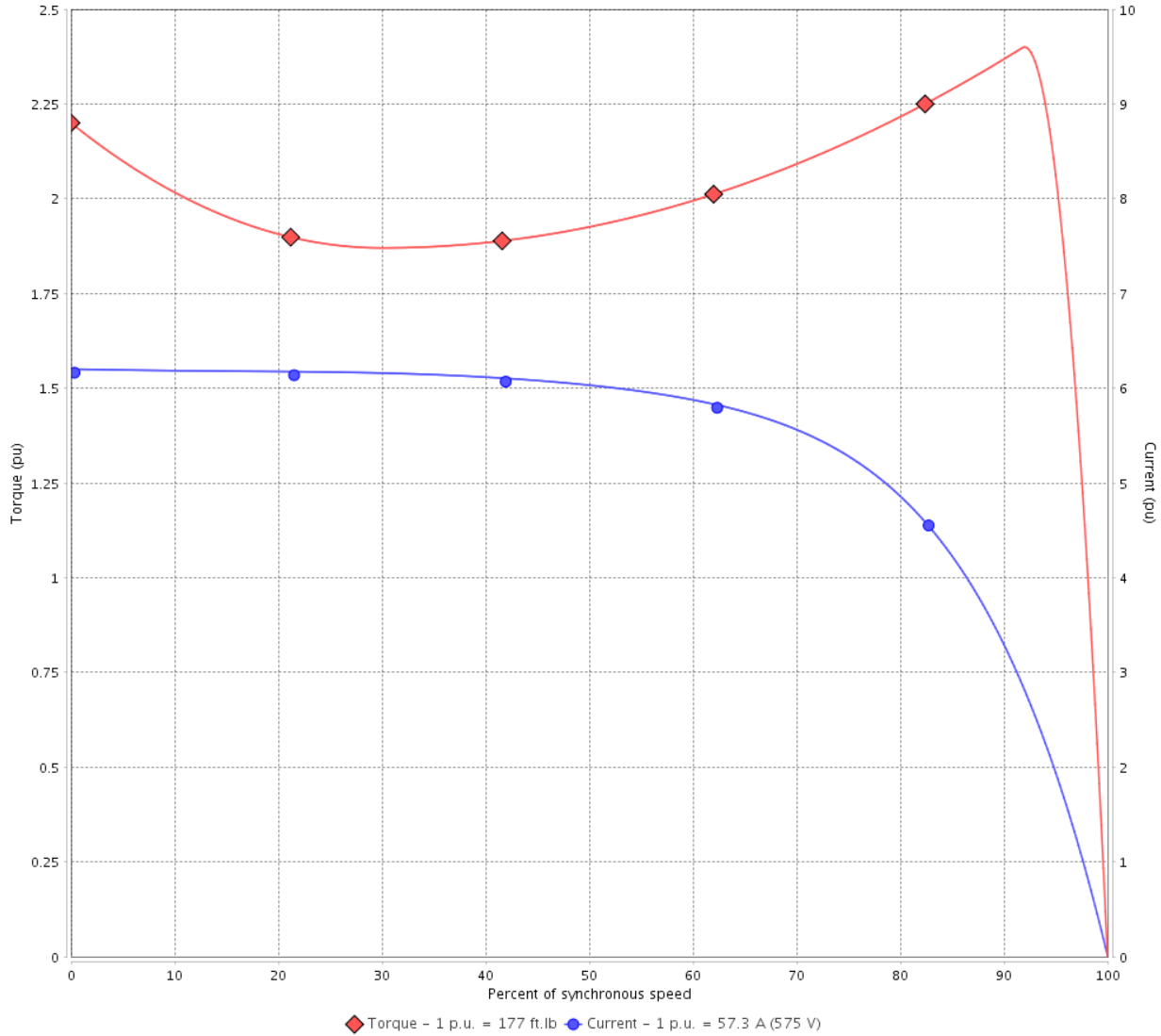
Customer :

Product line : NEMA Premium Efficiency Three-Phase

Product code : 11431670

Catalog # : 06018ST3HIE364T-W22

TORQUE AND CURRENT VS SPEED CURVE



Performance : 575 V 60 Hz 4P

| | | | |
|---------------------|-------------|-----------------------|-----------------|
| Rated current | : 57.3 A | Moment of inertia (J) | : 22.4 sq.ft.lb |
| LRC | : 6.2 | Duty cycle | : Cont.(S1) |
| Rated torque | : 177 ft.lb | Insulation class | : F |
| Locked rotor torque | : 220 % | Service factor | : 1.25 |
| Breakdown torque | : 240 % | Temperature rise | : 80 K |
| Rated speed | : 1780 rpm | Design | : B |

Locked rotor time : 27s (cold) 15s (hot)

| Rev. | Changes Summary | Performed | Checked | Date |
|--------------|-----------------|-----------|---------------|----------|
| | | | | |
| Performed by | | | Page 2 / 6 | Revision |
| Checked by | | | | |
| Date | 12/04/2022 | | | |

LOAD PERFORMANCE CURVE

Three Phase Induction Motor - Squirrel Cage

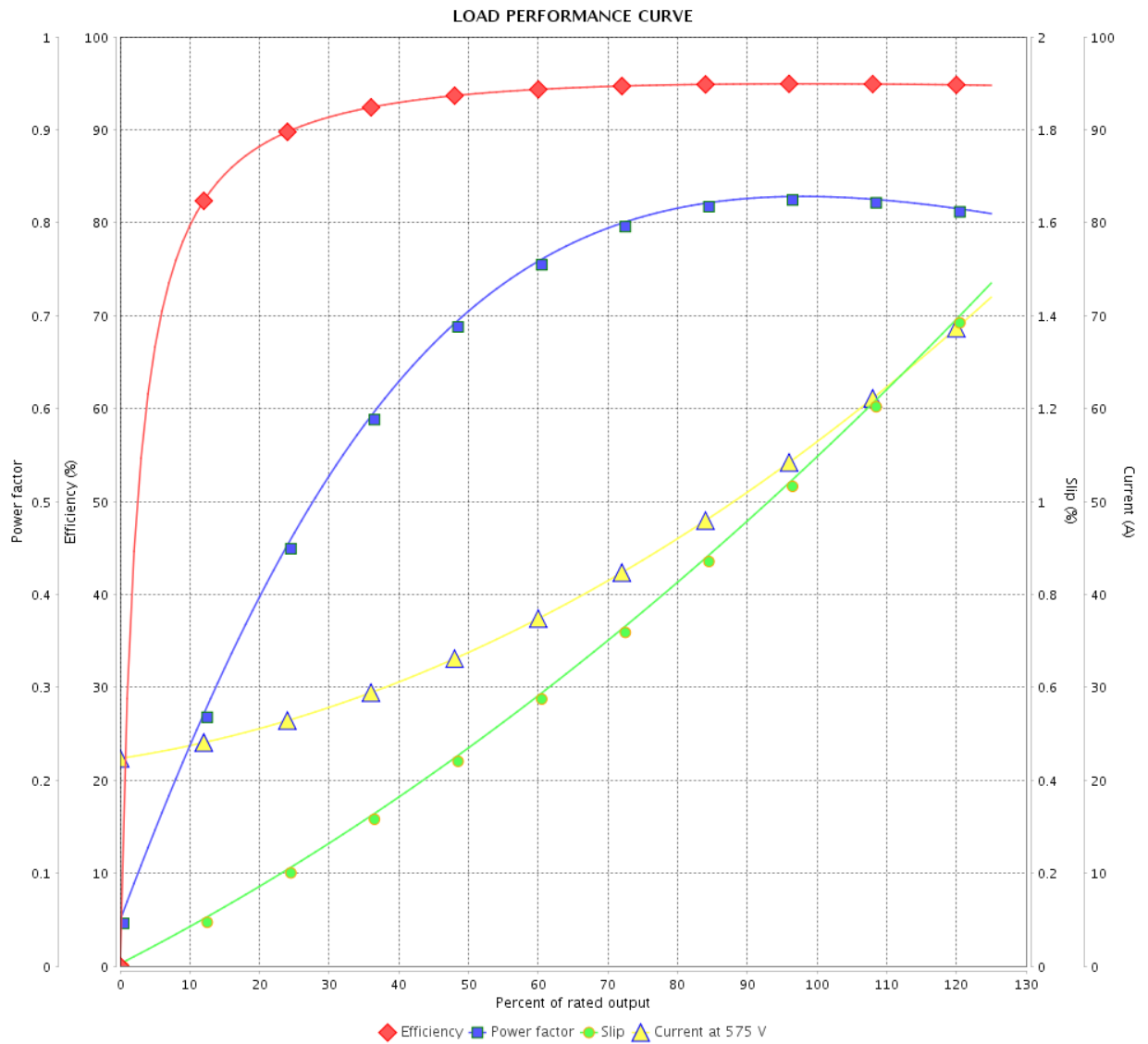


Customer :

Product line : NEMA Premium Efficiency Three-Phase

Product code : 11431670

Catalog # : 06018ST3HIE364T-W22



Performance : 575 V 60 Hz 4P

Rated current : 57.3 A
 LRC : 6.2
 Rated torque : 177 ft.lb
 Locked rotor torque : 220 %
 Breakdown torque : 240 %
 Rated speed : 1780 rpm

Moment of inertia (J) : 22.4 sq.ft.lb
 Duty cycle : Cont.(S1)
 Insulation class : F
 Service factor : 1.25
 Temperature rise : 80 K
 Design : B

| Rev. | Changes Summary | Performed | Checked | Date |
|--------------|-----------------|-----------|---------|----------|
| | | | | |
| Performed by | | Page | | Revision |
| Checked by | | 3 / 6 | | |
| Date | 12/04/2022 | | | |

THERMAL LIMIT CURVE



Three Phase Induction Motor - Squirrel Cage

Customer :

Product line : NEMA Premium Efficiency Three-Phase
 Product code : 11431670
 Catalog # : 06018ST3HIE364T-W22

Performance : 575 V 60 Hz 4P

| | |
|-----------------------------|---------------------------------------|
| Rated current : 57.3 A | Moment of inertia (J) : 22.4 sq.ft.lb |
| LRC : 6.2 | Duty cycle : Cont.(S1) |
| Rated torque : 177 ft.lb | Insulation class : F |
| Locked rotor torque : 220 % | Service factor : 1.25 |
| Breakdown torque : 240 % | Temperature rise : 80 K |
| Rated speed : 1780 rpm | Design : B |

Heating constant

Cooling constant

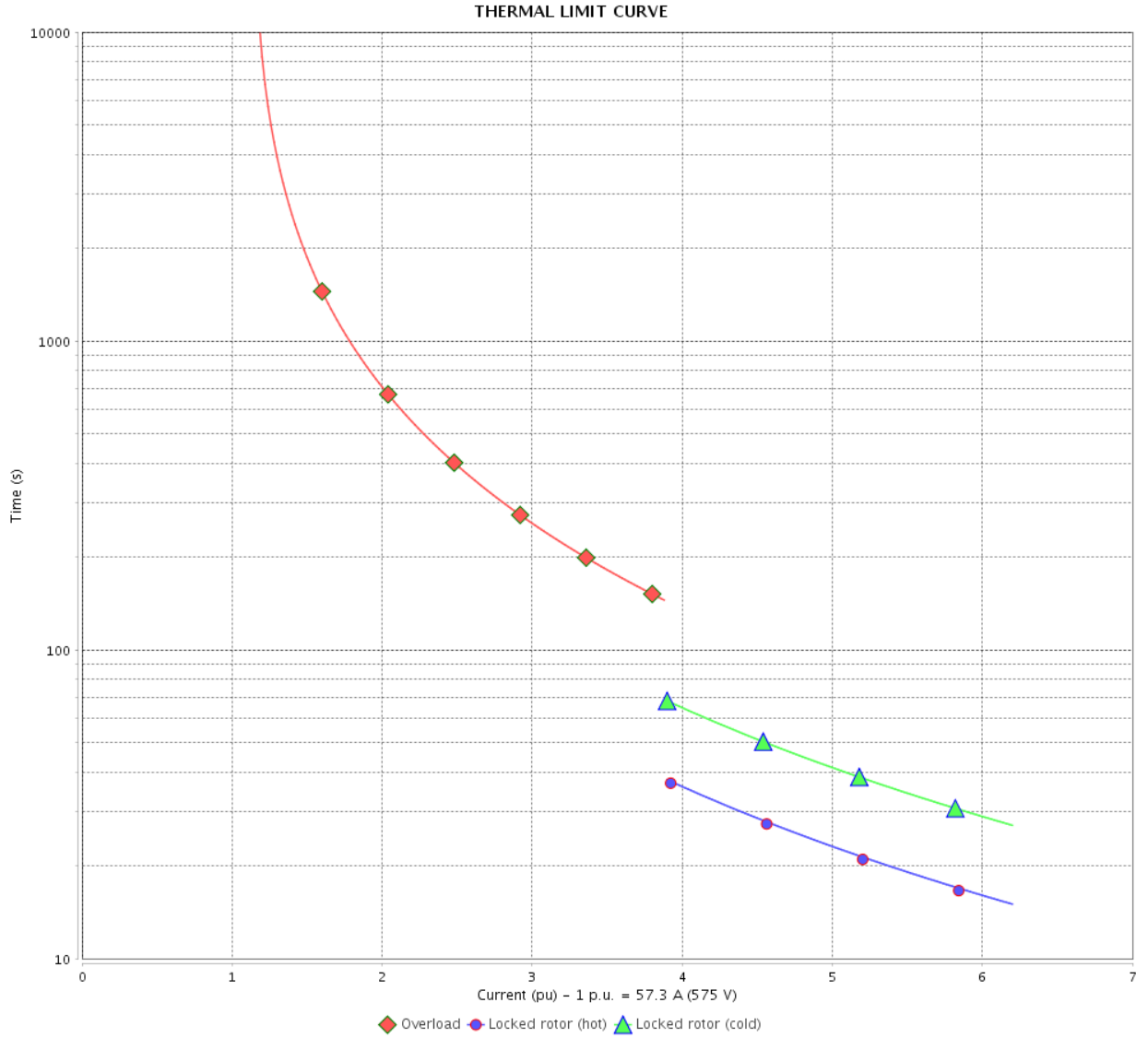
| Rev. | Changes Summary | Performed | Checked | Date |
|--------------|-----------------|-----------|---------|----------|
| | | | | |
| Performed by | | | Page | Revision |
| Checked by | | | | |
| Date | 12/04/2022 | | | |

THERMAL LIMIT CURVE

Three Phase Induction Motor - Squirrel Cage



Customer : _____



| Rev. | Changes Summary | Performed | Checked | Date |
|--------------|-----------------|------------|---------|----------|
| | | | | |
| Performed by | | Page | | Revision |
| Checked by | | 5 / 6 | | |
| Date | | 12/04/2022 | | |

VFD OPERATION CURVE

Three Phase Induction Motor - Squirrel Cage



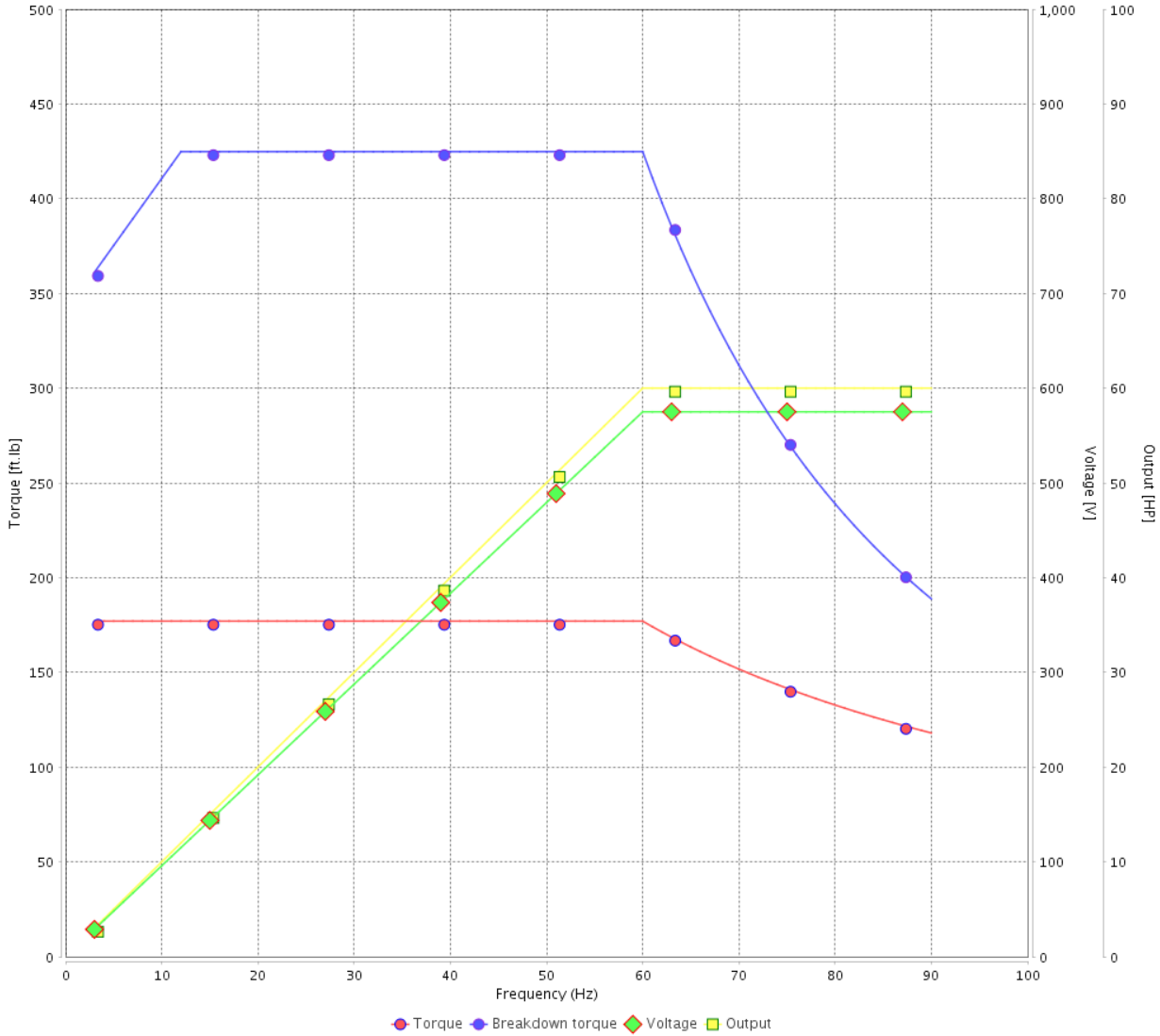
Customer :

Product line : NEMA Premium Efficiency Three-Phase

Product code : 11431670

Catalog # : 06018ST3HIE364T-W22

VFD OPERATION CURVE



Performance : 575 V 60 Hz 4P

Rated current : 57.3 A
 LRC : 6.2
 Rated torque : 177 ft.lb
 Locked rotor torque : 220 %
 Breakdown torque : 240 %
 Rated speed : 1780 rpm

Moment of inertia (J) : 22.4 sq.ft.lb
 Duty cycle : Cont.(S1)
 Insulation class : F
 Service factor : 1.25
 Temperature rise : 80 K
 Design : B

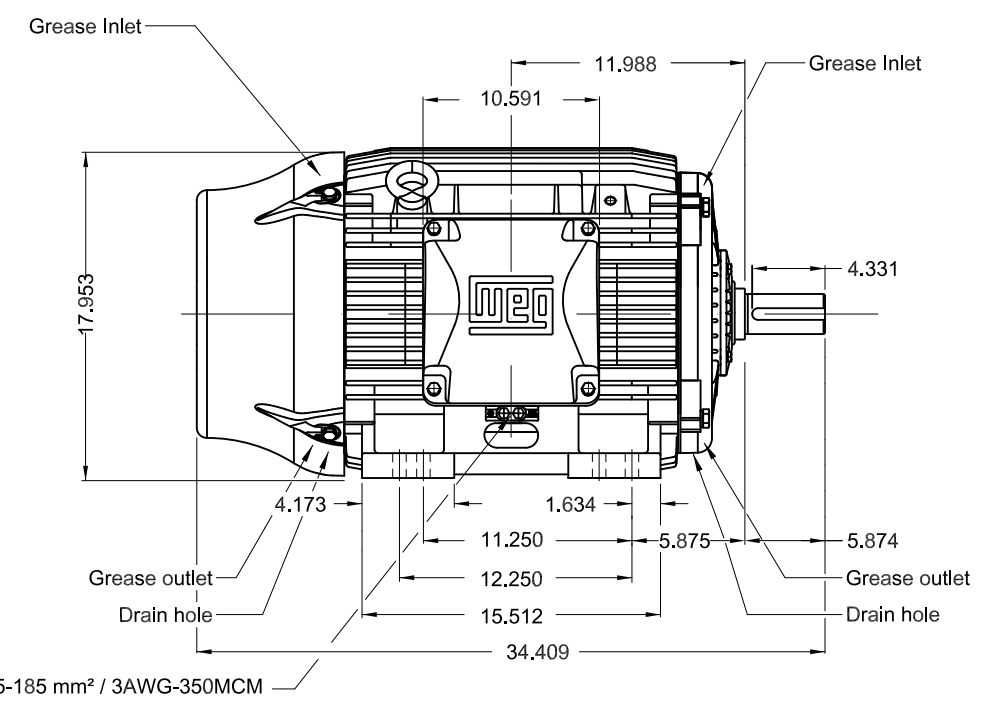
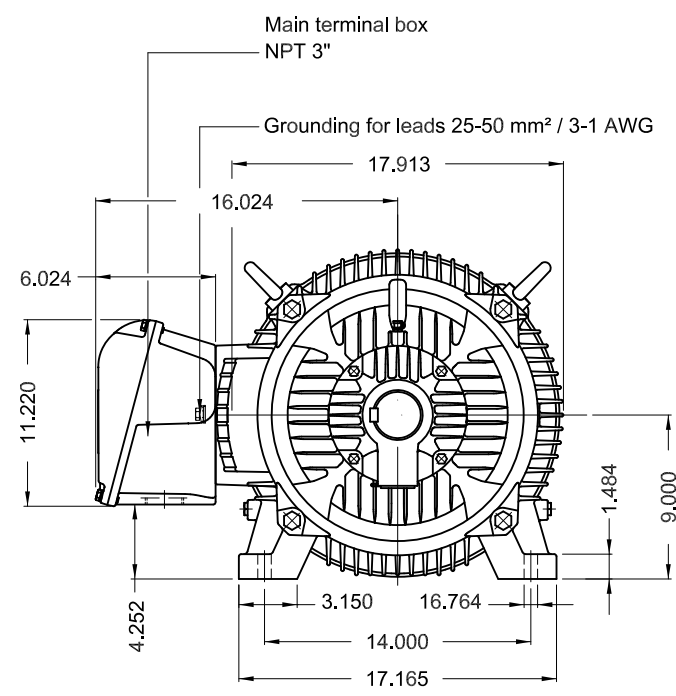
| Rev. | Changes Summary | Performed | Checked | Date |
|--------------|-----------------|-----------|---------------|----------|
| | | | | |
| Performed by | | | Page 6 / 6 | Revision |
| Checked by | | | | |
| Date | 12/04/2022 | | | |

1 2 3 4 5 6

A

B

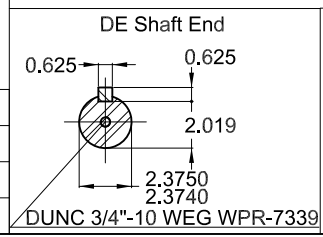
C



D

E

Without vertical jackscrews
 Color RAL 5009
 Painting plan 202E
 Mounting B3R(D)



60 HP 04 Poles 60 Hz A

| ECM | LOC | SUMMARY OF MODIFICATIONS | EXECUTED | CHECKED | RELEASED | DATE | VER |
|----------|-----------|-----------------------------------------|---------------------|---------|----------|------|-----|
| EXECUTED | PIRWBUSER | THREE PH. MOTOR IEEE 841 W22 PREM. EFF. | | | | | |
| CHECKED | | FRAME 364/5T IP55 TEFC | | | | | |
| RELEASED | | | | | | | |
| REL DT. | WMO | Jaragua do Sul | Product Engineering | | | | |

PREVIEW
 WDD

SHEET 1 / 1

Dimensions in inches XME A3



NEMA
Premium
W22



FOR SAFE AREA
Mod.TE1BFOXON
CC029A



Class I, Div 2, Gr A, B, C and D - T3
Class I, Zone 2, IIC - T3
Class II, Div 2, Gr F and G - T4
For use on PWM: Gr. A, B, C, D and F,
VT 1000:1, CT 20:1, 1.00SF - T3A

IE060504W22IS



Inverter Duty Motor
Severe Duty

MADE IN BRAZIL
11431670

PH3 60Hz Fr. 364/5T 1000m.a.s.l. IP55 TEFC 888lb

V 575

A 57.3

HP 60

kW 45

SF 1.25

SFA 71.6

RPM 1780

PF 0.83

AMB 40°C

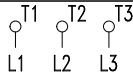
INS cl. F DT80K

NEMA NOM EFF 95.0%

DUTY CONT.

DES B Code G

GUARANT. EFF 94.1%



575V



→ 6314-C3 (27g) 70BC03X30

→ 6314-C3 (27g) 70BC03X30



MOBIL POLYREX EM (12000h)

