

DATA SHEET



Three Phase Induction Motor - Squirrel Cage

Customer :

Product line : NEMA Premium Efficiency Three-Phase
Product code : 11165695
Catalog # : 06036ET3H364TS-W22

Frame	: 364/5TS	Locked rotor time	: 25s (cold) 14s (hot)
Output	: 60 HP (45 kW)	Temperature rise	: 80 K
Poles	: 2	Duty cycle	: Cont.(S1)
Frequency	: 60 Hz	Ambient temperature	: -20°C to +40°C
Rated voltage	: 575 V	Altitude	: 1000 m.a.s.l.
Rated current	: 53.6 A	Protection degree	: IP55
L. R. Amperes	: 354 A	Cooling method	: IC411 - TEFC
LRC	: 6.6x(Code G)	Mounting	: F-1
No load current	: 12.0 A	Rotation ¹	: Both (CW and CCW)
Rated speed	: 3560 rpm	Noise level ²	: 79.0 dB(A)
Slip	: 1.11 %	Starting method	: Direct On Line
Rated torque	: 88.5 ft.lb	Approx. weight ³	: 849 lb
Locked rotor torque	: 200 %		
Breakdown torque	: 260 %		
Insulation class	: F		
Service factor	: 1.25		
Moment of inertia (J)	: 10.6 sq.ft.lb		
Design	: B		

Output	25%	50%	75%	100%	Foundation loads	
Efficiency (%)	91.0	91.7	93.0	93.6	Max. traction	: 363 lb
Power Factor	0.60	0.81	0.88	0.90	Max. compression	: 1212 lb

	<u>Drive end</u>	<u>Non drive end</u>
Bearing type	: 6314 C3	6314 C3
Sealing	: WSeal	WSeal
Lubrication interval	: 4000 h	4000 h
Lubricant amount	: 27 g	27 g
Lubricant type	: Mobil Polyrex EM	

Notes

This revision replaces and cancel the previous one, which must be eliminated.

- (1) Looking the motor from the shaft end.
- (2) Measured at 1m and with tolerance of +3dB(A).
- (3) Approximate weight subject to changes after manufacturing process.
- (4) At 100% of full load.

These are average values based on tests with sinusoidal power supply, subject to the tolerances stipulated in NEMA MG-1.

Rev.	Changes Summary	Performed	Checked	Date
Performed by				
Checked by			Page	Revision
Date	13/04/2022		1 / 6	

TORQUE AND CURRENT VS SPEED CURVE

Three Phase Induction Motor - Squirrel Cage



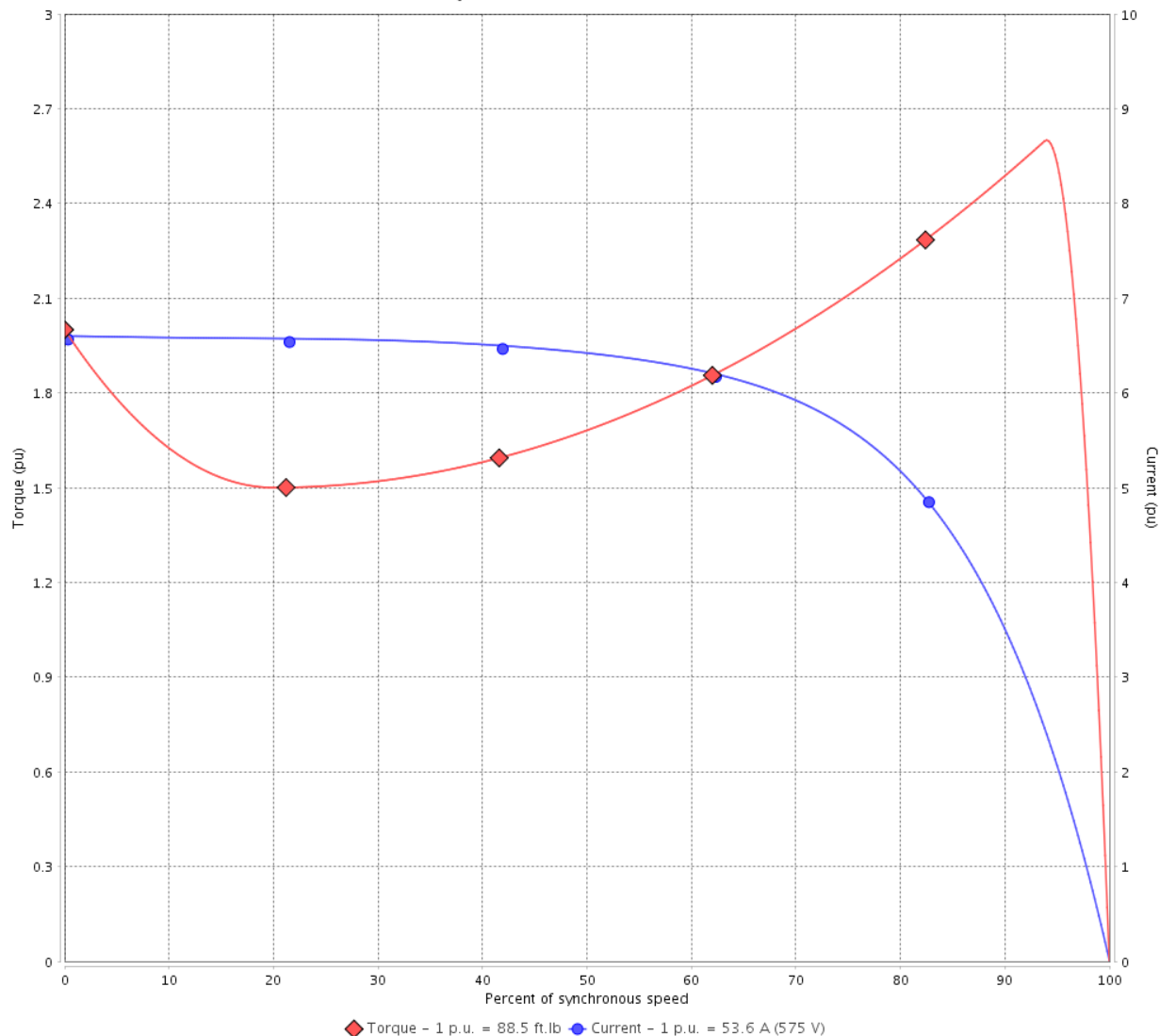
Customer :

Product line : NEMA Premium Efficiency Three-Phase

Product code : 11165695

Catalog # : 06036ET3H364TS-W22

TORQUE AND CURRENT VS SPEED CURVE



Performance : 575 V 60 Hz 2P

Rated current	: 53.6 A	Moment of inertia (J)	: 10.6 sq.ft.lb
LRC	: 6.6	Duty cycle	: Cont.(S1)
Rated torque	: 88.5 ft.lb	Insulation class	: F
Locked rotor torque	: 200 %	Service factor	: 1.25
Breakdown torque	: 260 %	Temperature rise	: 80 K
Rated speed	: 3560 rpm	Design	: B

Locked rotor time : 25s (cold) 14s (hot)

Rev.	Changes Summary	Performed	Checked	Date
Performed by			Page 2 / 6	Revision
Checked by				
Date	13/04/2022			

LOAD PERFORMANCE CURVE

Three Phase Induction Motor - Squirrel Cage

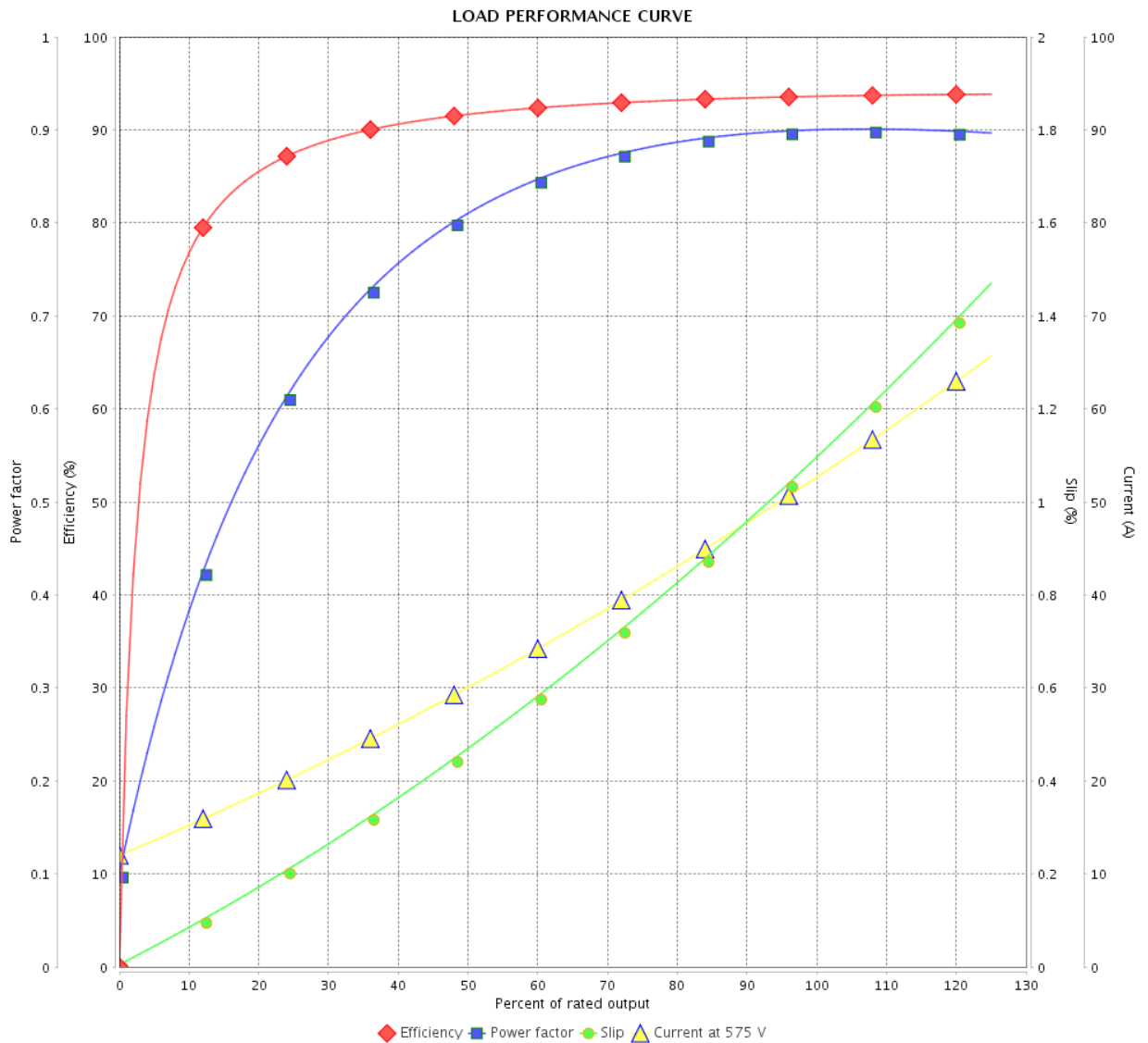


Customer : _____

Product line : NEMA Premium Efficiency Three-Phase

Product code : 11165695

Catalog # : 06036ET3H364TS-W22



Performance : 575 V 60 Hz 2P

Rated current : 53.6 A
 LRC : 6.6
 Rated torque : 88.5 ft.lb
 Locked rotor torque : 200 %
 Breakdown torque : 260 %
 Rated speed : 3560 rpm

Moment of inertia (J) : 10.6 sq.ft.lb
 Duty cycle : Cont.(S1)
 Insulation class : F
 Service factor : 1.25
 Temperature rise : 80 K
 Design : B

Rev.	Changes Summary	Performed	Checked	Date
Performed by		Page		Revision
Checked by		3 / 6		
Date		13/04/2022		

THERMAL LIMIT CURVE

Three Phase Induction Motor - Squirrel Cage



Customer :

Product line : NEMA Premium Efficiency Three-Phase
Product code : 11165695
Catalog # : 06036ET3H364TS-W22

Performance : 575 V 60 Hz 2P

Rated current	: 53.6 A	Moment of inertia (J)	: 10.6 sq.ft.lb
LRC	: 6.6	Duty cycle	: Cont.(S1)
Rated torque	: 88.5 ft.lb	Insulation class	: F
Locked rotor torque	: 200 %	Service factor	: 1.25
Breakdown torque	: 260 %	Temperature rise	: 80 K
Rated speed	: 3560 rpm	Design	: B

Heating constant

Cooling constant

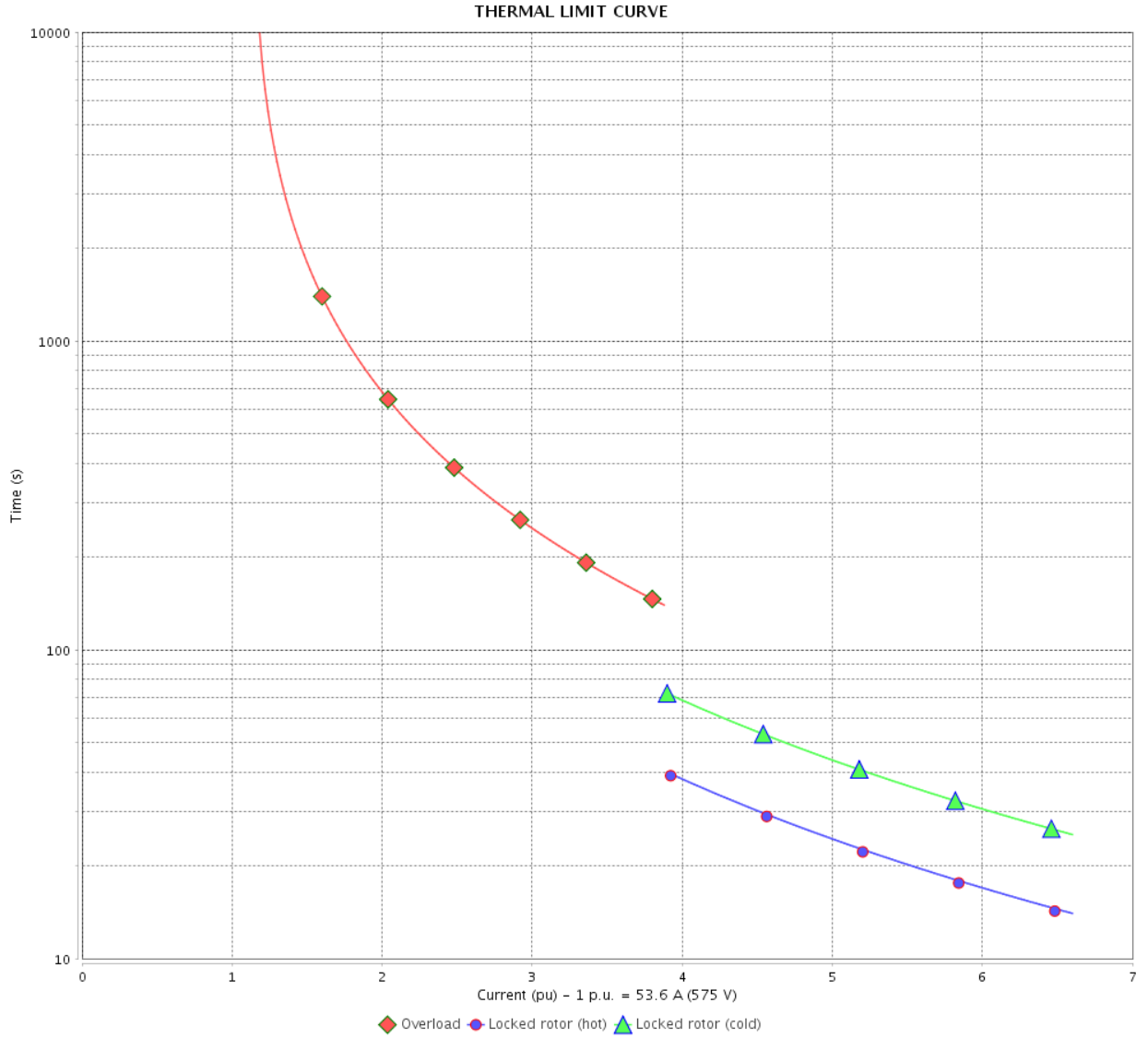
Rev.	Changes Summary	Performed	Checked	Date
Performed by				
Checked by			Page	Revision
Date	13/04/2022		4 / 6	

THERMAL LIMIT CURVE

Three Phase Induction Motor - Squirrel Cage



Customer : _____



Rev.	Changes Summary	Performed	Checked	Date
Performed by		Page 5 / 6		Revision
Checked by				
Date				

VFD OPERATION CURVE

Three Phase Induction Motor - Squirrel Cage

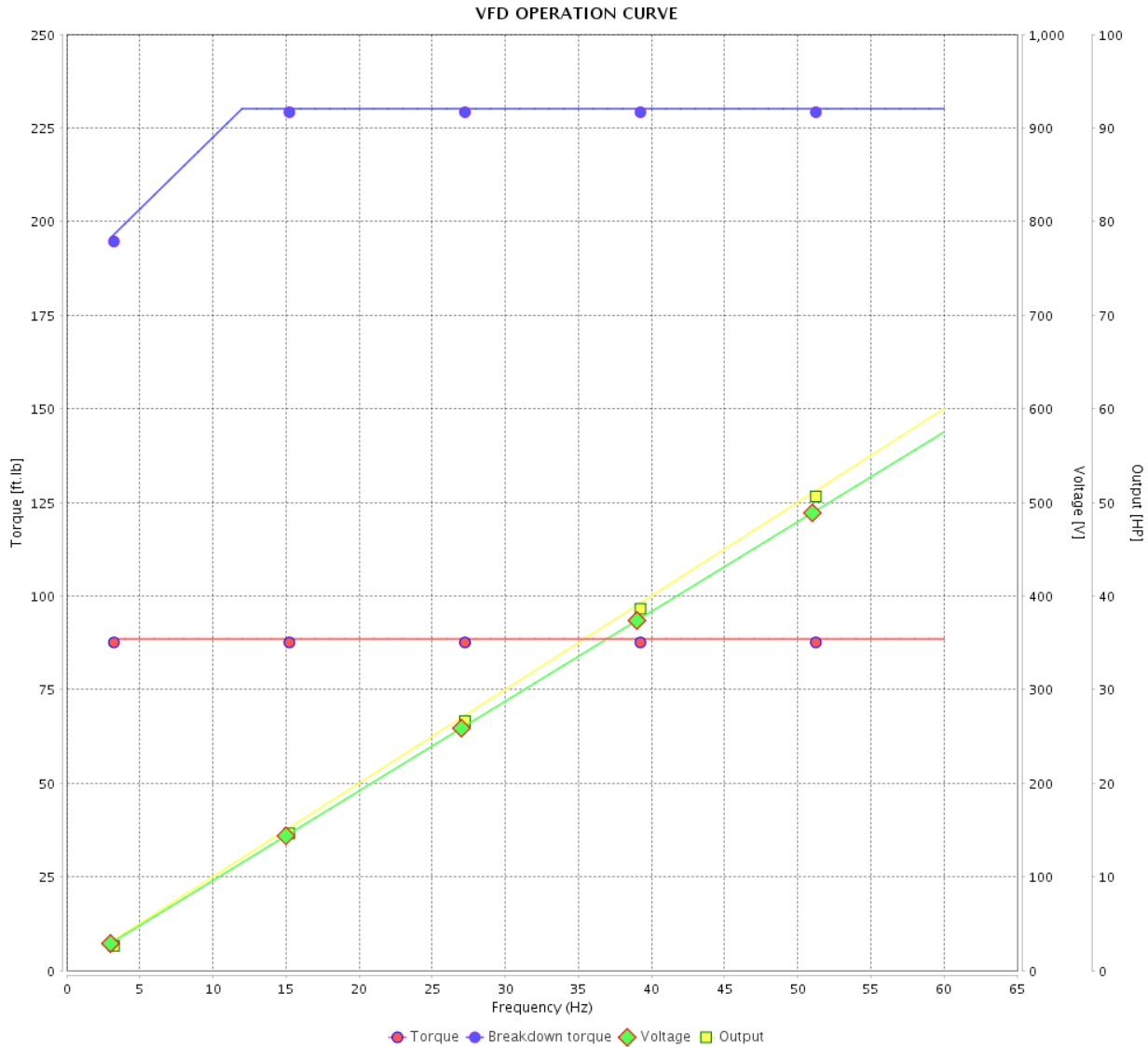


Customer :

Product line : NEMA Premium Efficiency Three-Phase

Product code : 11165695

Catalog # : 06036ET3H364TS-W22



Performance : 575 V 60 Hz 2P

Rated current	: 53.6 A	Moment of inertia (J)	: 10.6 sq.ft.lb
LRC	: 6.6	Duty cycle	: Cont.(S1)
Rated torque	: 88.5 ft.lb	Insulation class	: F
Locked rotor torque	: 200 %	Service factor	: 1.25
Breakdown torque	: 260 %	Temperature rise	: 80 K
Rated speed	: 3560 rpm	Design	: B

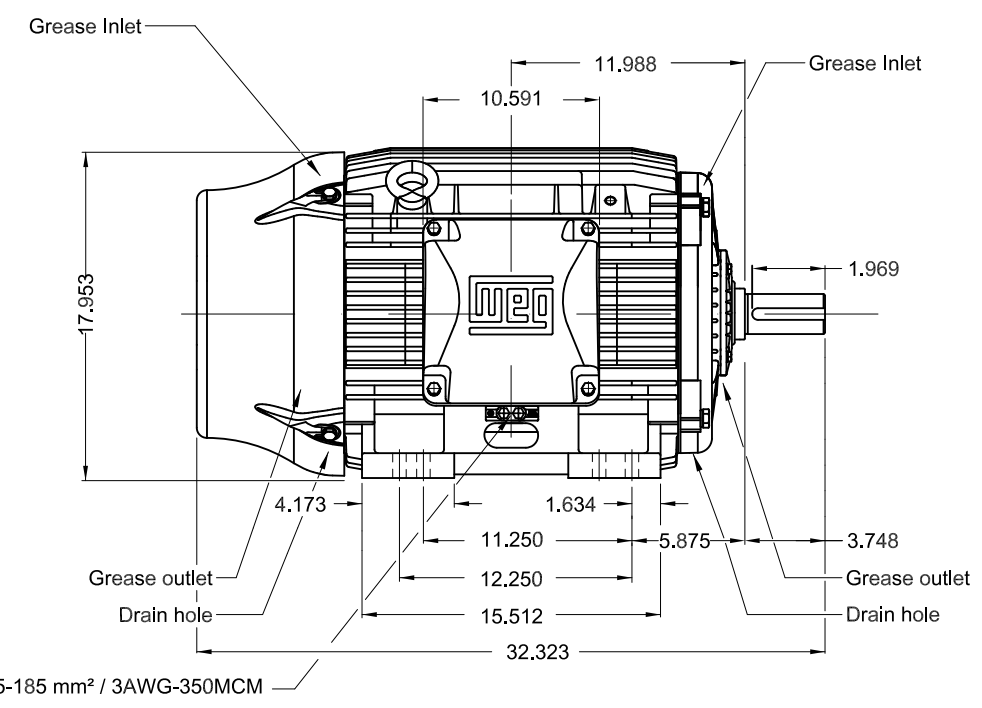
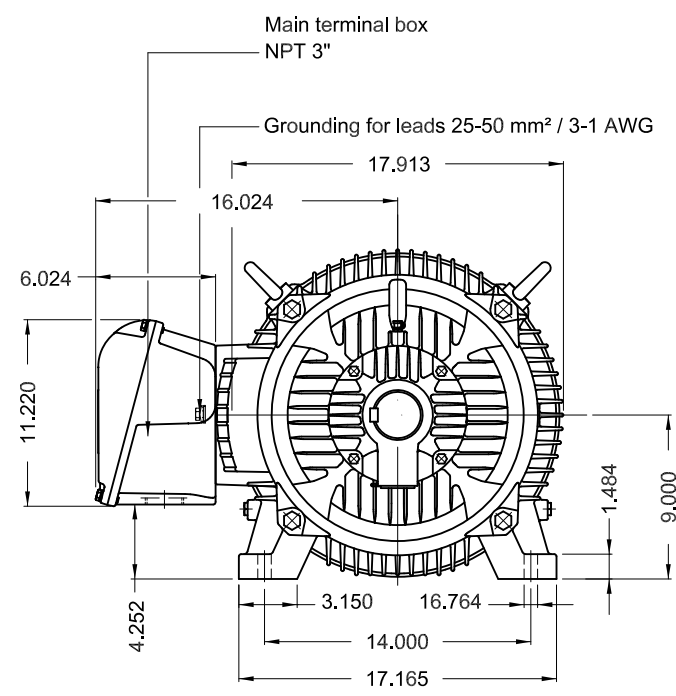
Rev.	Changes Summary	Performed	Checked	Date
Performed by			Page 6 / 6	Revision
Checked by				
Date	13/04/2022			

1 2 3 4 5 6

A

B

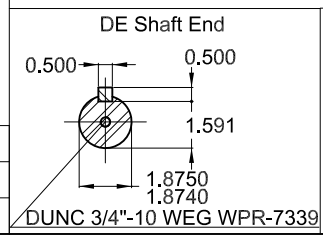
C



D

E

Color RAL 5009
 Painting plan 203A
 Mounting B3R(D)



60 HP 02 Poles 60 Hz A

ECM	LOC	SUMMARY OF MODIFICATIONS	EXECUTED	CHECKED	RELEASED	DATE	VER
EXECUTED	PIRWBUSER	THREE PH. MOTOR W22 PREM. EFF.					
CHECKED		FRAME 364/5TS IP55 TEFC					
RELEASED							
REL DT.	WMO	Jaragua do Sul	Product Engineering	SHEET	1 / 1		

PREVIEW
 WDD





NEMA
Premium
W22



FOR SAFE AREA
Mod.TE1BFOXON
CC029A



Class I, Div 2, Gr A, B, C and D - T3
Class I, Zone 2, IIC - T3
Class II, Div 2, Gr F and G - T4
For use on PWM: Gr. A, B, C, D and F,
VT 1000:1, CT 20:1, 1.00SF - T3A

MODEL 06036ET3H364TS-W22

Inverter Duty Motor
Severe Duty

PH3 60Hz Fr. 364/5TS 1000m.a.s.l. IP55 TEFC 850lb

V 575

A 53.6

HP 60

kW 45

SF 1.25

SFA 67.0

RPM 3560

PF 0.90

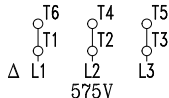
AMB 40°C

INS cl. F DT80K

NEMA NOM EFF 93.6%

DUTY CONT.

DES B Code G



→ 6314-C3 (27g)

→ 6314-C3 (27g)



MOBIL POLYREX EM (4000h)



MADE IN BRAZIL
11165695