

DATA SHEET



Three Phase Induction Motor - Squirrel Cage

Customer :					
Product line		: W40 NEMA Premium Efficiency Three-Phase		Product code : 14270946	
			Catalog # :	07518OT3H365T-W40	
Frame	: 364/5T			Locked rotor time	: 25s (cold) 14s (hot)
Output	: 75 HP (55 kW)			Temperature rise	: 80 K
Poles	: 4			Duty cycle	: Cont.(S1)
Frequency	: 60 Hz			Ambient temperature	: -20°C to +40°C
Rated voltage	: 575 V			Altitude	: 1000 m.a.s.l.
Rated current	: 68.4 A			Protection degree	: IP23
L. R. Amperes	: 465 A			Cooling method	: IC01 - ODP
LRC	: 6.8x(Code G)			Mounting	: F-1
No load current	: 24.4 A			Rotation ¹	: Both (CW and CCW)
Rated speed	: 1780 rpm			Noise level ²	: 69.0 dB(A)
Slip	: 1.11 %			Starting method	: Direct On Line
Rated torque	: 221 ft.lb			Approx. weight ³	: 769 lb
Locked rotor torque	: 220 %				
Breakdown torque	: 260 %				
Insulation class	: F				
Service factor	: 1.25				
Moment of inertia (J)	: 16.8 sq.ft.lb				
Design	: B				
Output	25%	50%	75%	100%	Foundation loads
Efficiency (%)	94.4	94.5	95.0	95.0	Max. traction : 1587 lb
Power Factor	0.48	0.73	0.82	0.85	Max. compression : 2356 lb
		<u>Drive end</u>		<u>Non drive end</u>	
Bearing type	:		6314 C3	6212 Z C3	
Sealing	:		Without Bearing Seal	Without Bearing Seal	
Lubrication interval	:		20000 h	20000 h	
Lubricant amount	:		27 g	13 g	
Lubricant type	:		Mobil Polyrex EM		
Notes					
This revision replaces and cancel the previous one, which must be eliminated. (1) Looking the motor from the shaft end. (2) Measured at 1m and with tolerance of +3dB(A). (3) Approximate weight subject to changes after manufacturing process. (4) At 100% of full load.			These are average values based on tests with sinusoidal power supply, subject to the tolerances stipulated in NEMA MG-1.		
Rev.	Changes Summary			Performed	Checked
Performed by					
Checked by					
Date	13/04/2022			Page	Revision
				1 / 6	

TORQUE AND CURRENT VS SPEED CURVE

Three Phase Induction Motor - Squirrel Cage



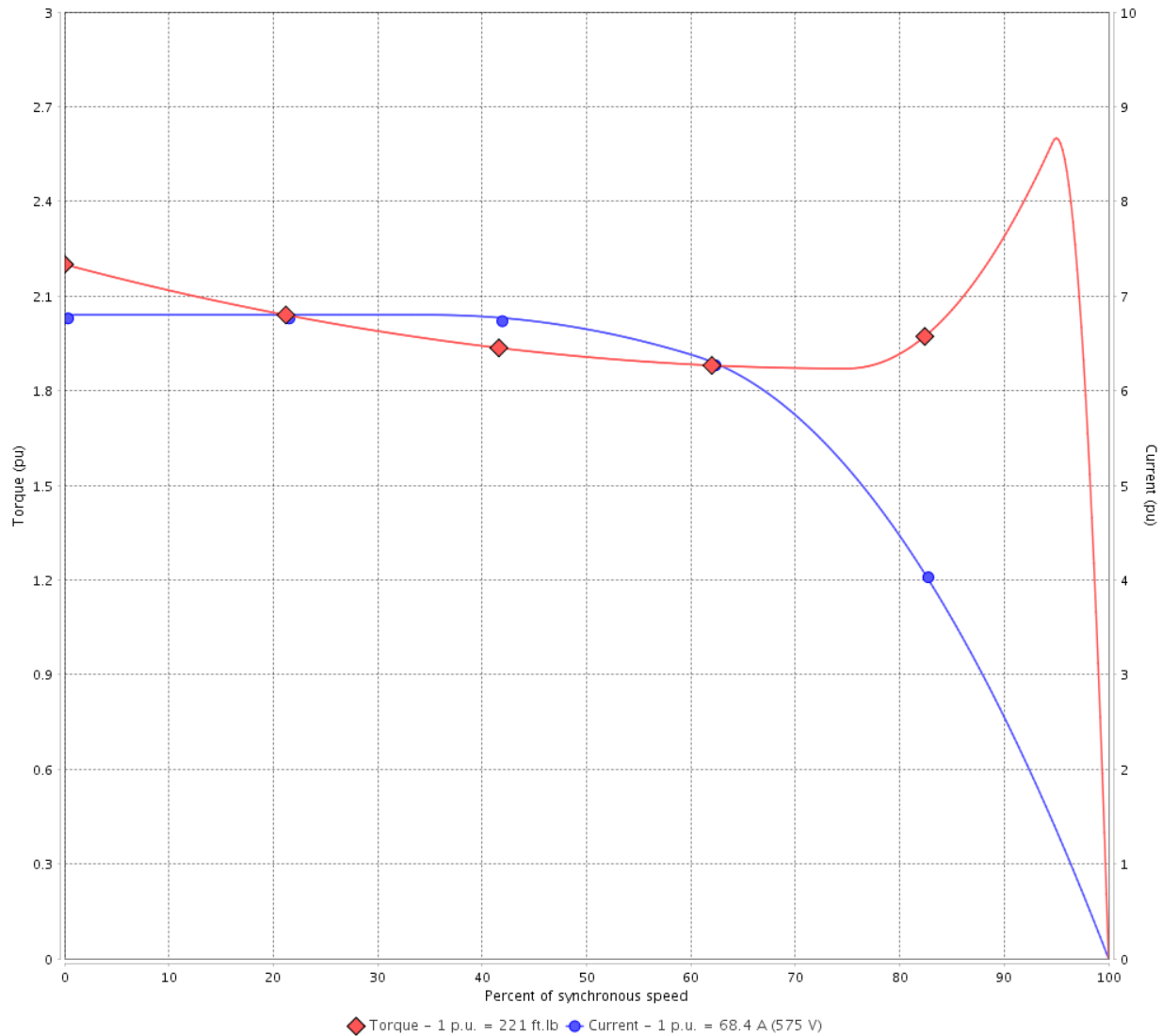
Customer :

Product line : W40 NEMA Premium Efficiency
Three-Phase

Product code : 14270946

Catalog # : 07518OT3H365T-W40

TORQUE AND CURRENT VS SPEED CURVE



Performance : 575 V 60 Hz 4P

Rated current	: 68.4 A	Moment of inertia (J)	: 16.8 sq.ft.lb
LRC	: 6.8	Duty cycle	: Cont.(S1)
Rated torque	: 221 ft.lb	Insulation class	: F
Locked rotor torque	: 220 %	Service factor	: 1.25
Breakdown torque	: 260 %	Temperature rise	: 80 K
Rated speed	: 1780 rpm	Design	: B

Locked rotor time : 25s (cold) 14s (hot)

Rev.	Changes Summary	Performed	Checked	Date
Performed by			Page 2 / 6	Revision
Checked by				
Date	13/04/2022			

LOAD PERFORMANCE CURVE

Three Phase Induction Motor - Squirrel Cage

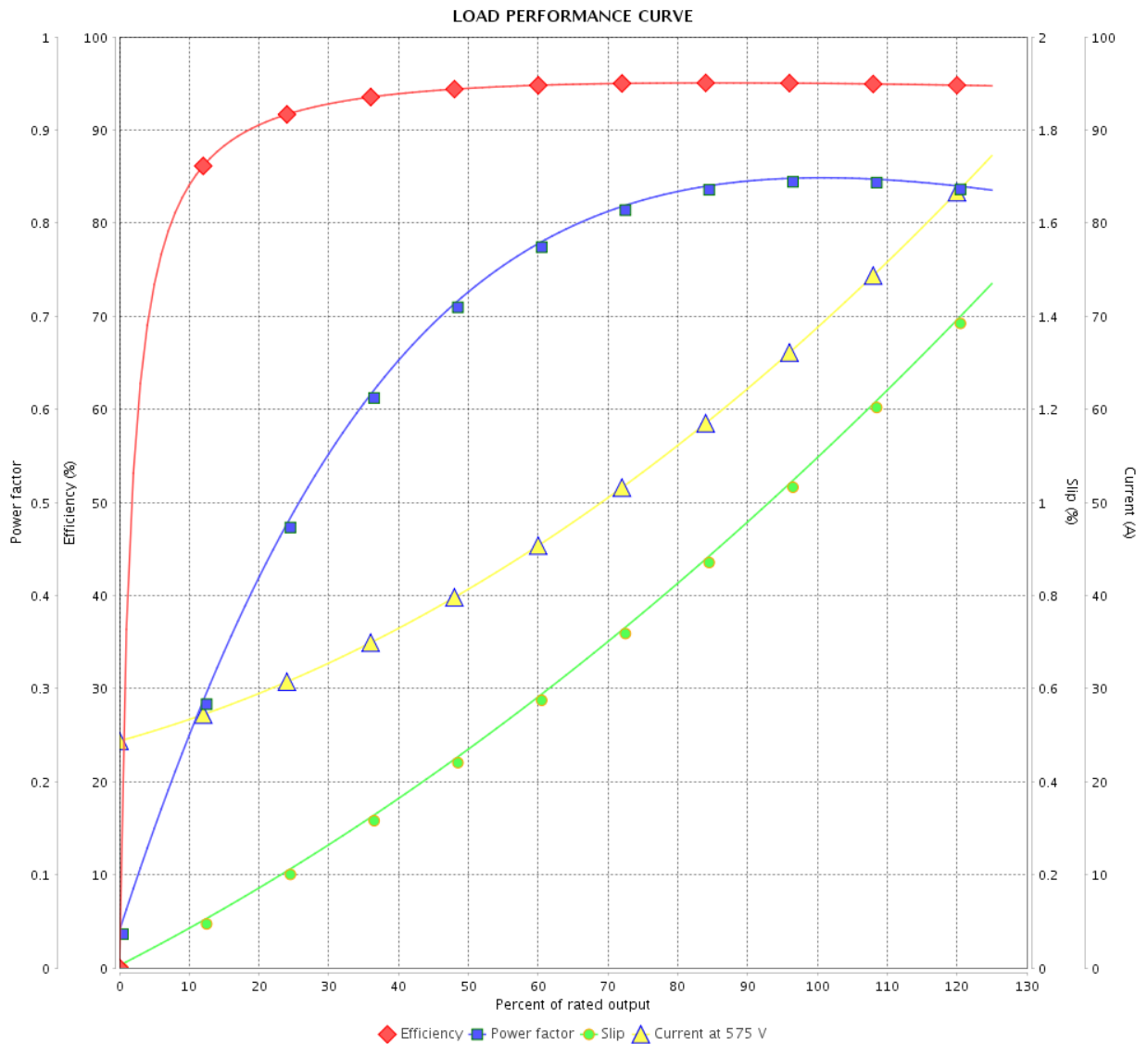


Customer :

Product line : W40 NEMA Premium Efficiency Three-Phase

Product code : 14270946

Catalog # : 07518OT3H365T-W40



Performance : 575 V 60 Hz 4P

Rated current : 68.4 A
 LRC : 6.8
 Rated torque : 221 ft.lb
 Locked rotor torque : 220 %
 Breakdown torque : 260 %
 Rated speed : 1780 rpm

Moment of inertia (J) : 16.8 sq.ft.lb
 Duty cycle : Cont.(S1)
 Insulation class : F
 Service factor : 1.25
 Temperature rise : 80 K
 Design : B

Rev.	Changes Summary	Performed	Checked	Date
Performed by		Page		Revision
Checked by		3 / 6		
Date		13/04/2022		

THERMAL LIMIT CURVE

Three Phase Induction Motor - Squirrel Cage



Customer :

Product line : W40 NEMA Premium Efficiency
Three-Phase

Product code : 14270946

Catalog # : 07518OT3H365T-W40

Performance : 575 V 60 Hz 4P

Rated current	: 68.4 A	Moment of inertia (J)	: 16.8 sq.ft.lb
LRC	: 6.8	Duty cycle	: Cont.(S1)
Rated torque	: 221 ft.lb	Insulation class	: F
Locked rotor torque	: 220 %	Service factor	: 1.25
Breakdown torque	: 260 %	Temperature rise	: 80 K
Rated speed	: 1780 rpm	Design	: B

Heating constant

Cooling constant

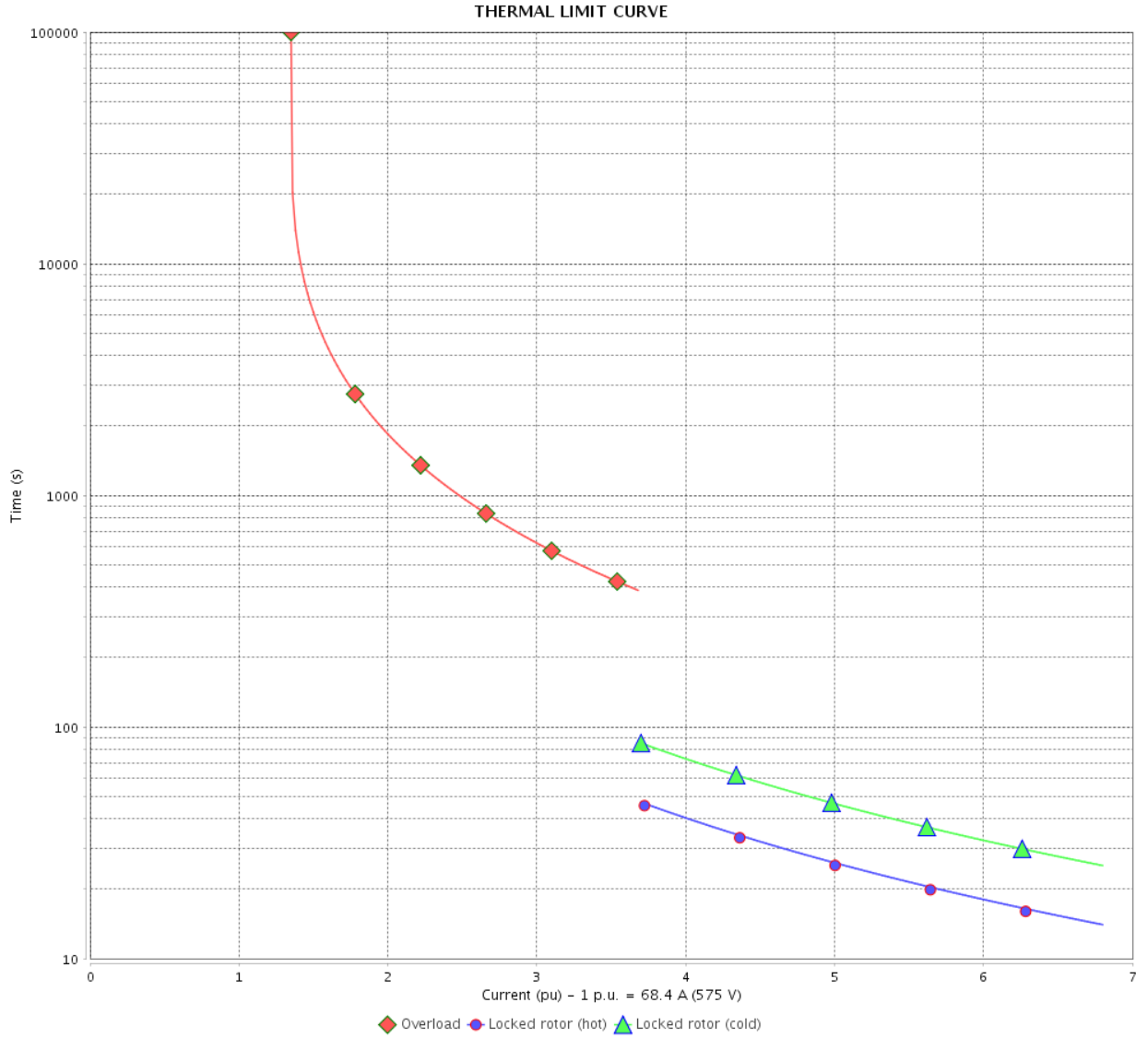
Rev.	Changes Summary	Performed	Checked	Date
Performed by				
Checked by			Page	Revision
Date	13/04/2022		4 / 6	

THERMAL LIMIT CURVE

Three Phase Induction Motor - Squirrel Cage



Customer : _____



Rev.	Changes Summary	Performed	Checked	Date
Performed by		Page 5 / 6		Revision
Checked by				
Date				

VFD OPERATION CURVE

Three Phase Induction Motor - Squirrel Cage



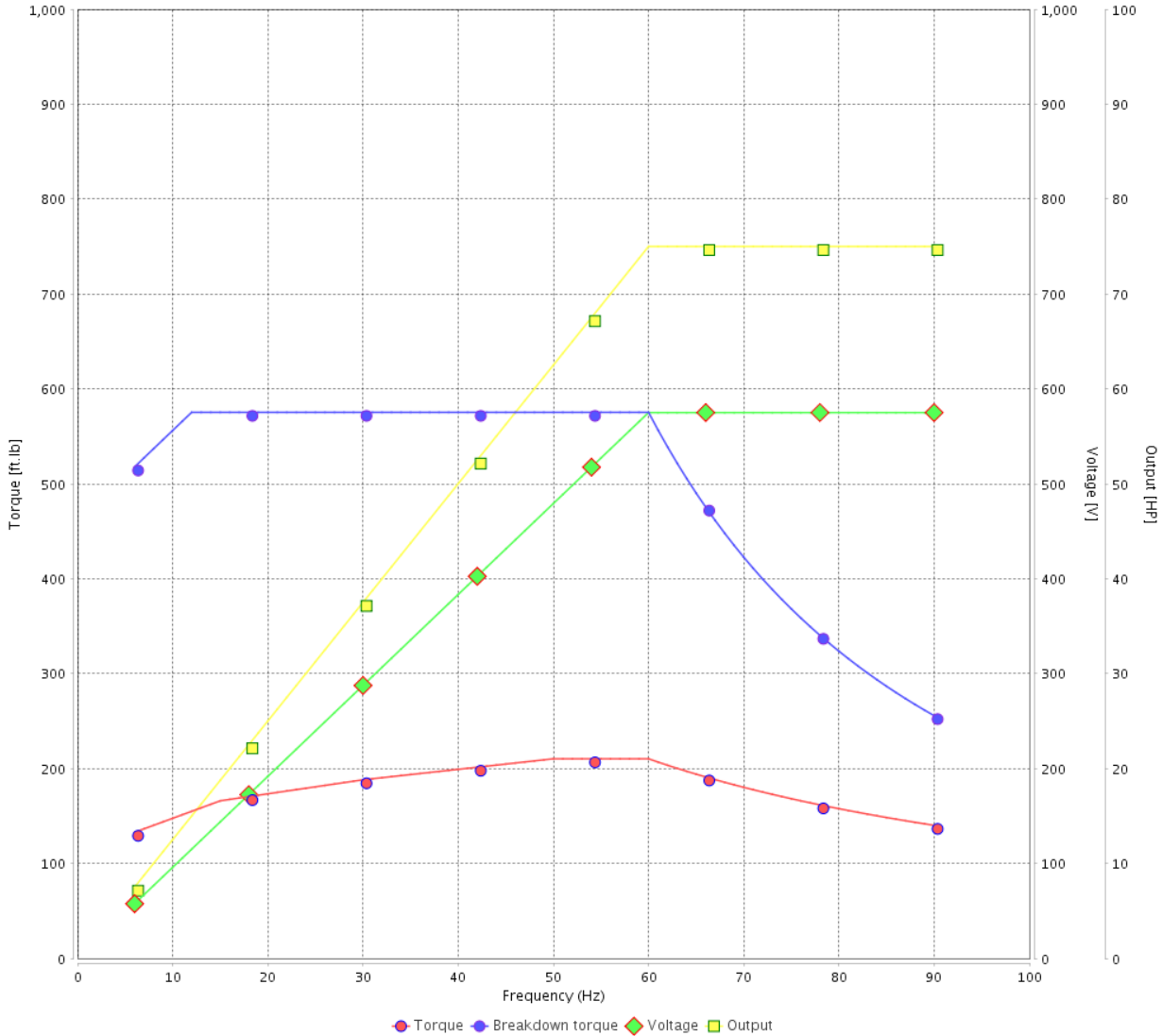
Customer :

Product line : W40 NEMA Premium Efficiency Three-Phase

Product code : 14270946

Catalog # : 07518OT3H365T-W40

VFD OPERATION CURVE

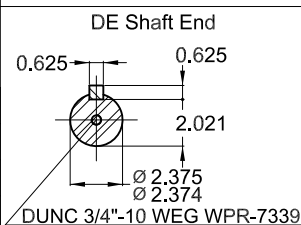
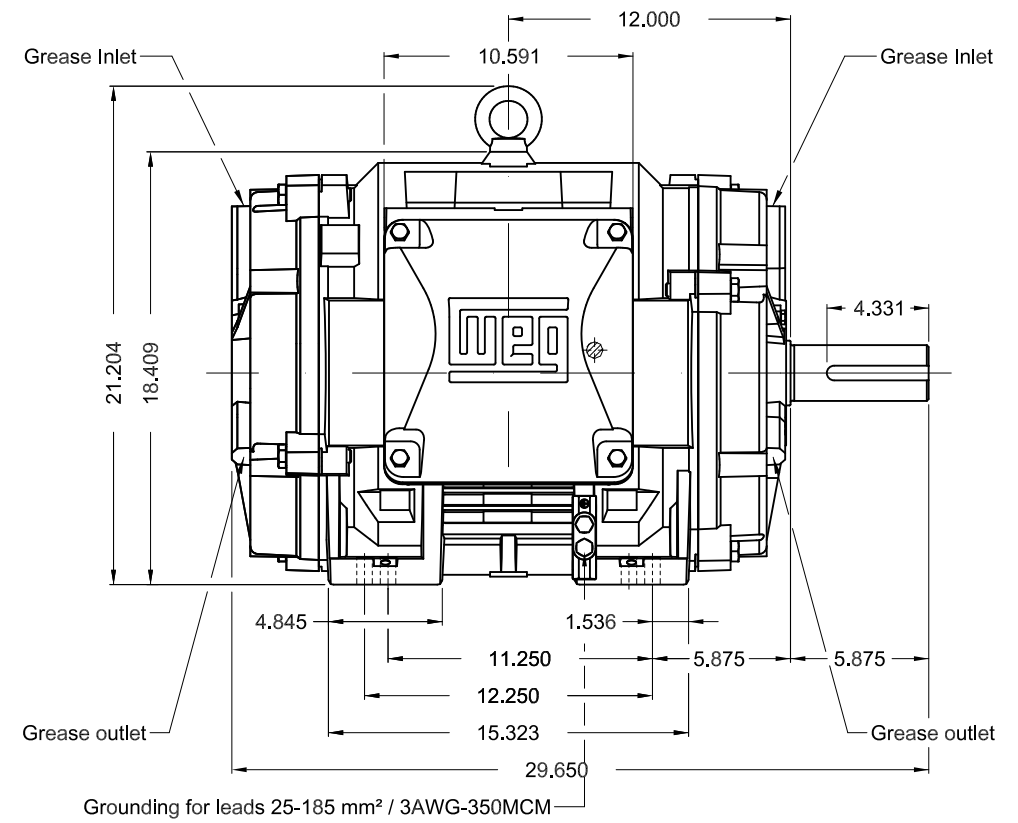
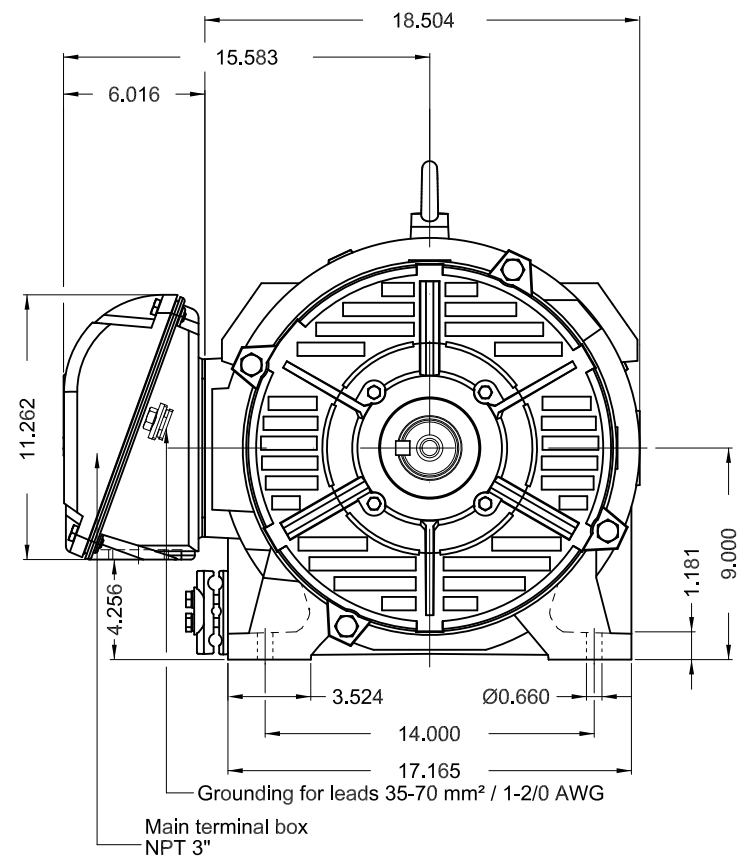


Performance : 575 V 60 Hz 4P

Rated current : 68.4 A
 LRC : 6.8
 Rated torque : 221 ft.lb
 Locked rotor torque : 220 %
 Breakdown torque : 260 %
 Rated speed : 1780 rpm

Moment of inertia (J) : 16.8 sq.ft.lb
 Duty cycle : Cont.(S1)
 Insulation class : F
 Service factor : 1.25
 Temperature rise : 80 K
 Design : B

Rev.	Changes Summary	Performed	Checked	Date
Performed by			Page 6 / 6	Revision
Checked by				
Date	13/04/2022			



Color RAL 5009
 Painting plan 203A
 Mounting NEMA F-1
 Mounting B3R(D)

75 HP 04 Poles 60 Hz										A	
										1:8	
ECM	LOC	SUMMARY OF MODIFICATIONS					EXECUTED	CHECKED	RELEASED	DATE	VER
EXECUTED	PIRWBUSER	THREE PH. MOTOR W40 PREM. EFF.									
CHECKED		FRAME 364/5T IP23 ODP									
RELEASED											
REL DT.		WMO	Jaragua do Sul	Product Engineering	SHEET	1 / 1					

Dimensions in inches

XME A3

MODEL 075180T3H365T-W40
MADE IN BRAZIL
14270946

WEG **W40 NEMA**
CC029A Premium
Inverter Duty Motor

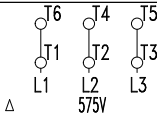


MOD.T01#FOXON



For use on PWM, VT 1000:1, CT 2:1, 1.0SF

PH 3	FR 364/5T	HP(kW) 75(55)		Hz 60
V 575		A 68.4		IP23
NEMA NOM EFF		95.0	%	RPM 1780
ENCL ODP	DUTY CONT.		INS. CL. F Δ T 80 K	
PF 0.85		DES B	CODE G	AMB. 40°C
SF 1.25	SFA 85.5		ALT 1000 m.a.s.l.	



→ 6314-C3(27g)
→ 6212-Z-C3(13g)

MOBIL POLYREX EM
20000 h

769 Lbs