

TORQUE AND CURRENT VS SPEED CURVE

Three Phase Induction Motor - Squirrel Cage



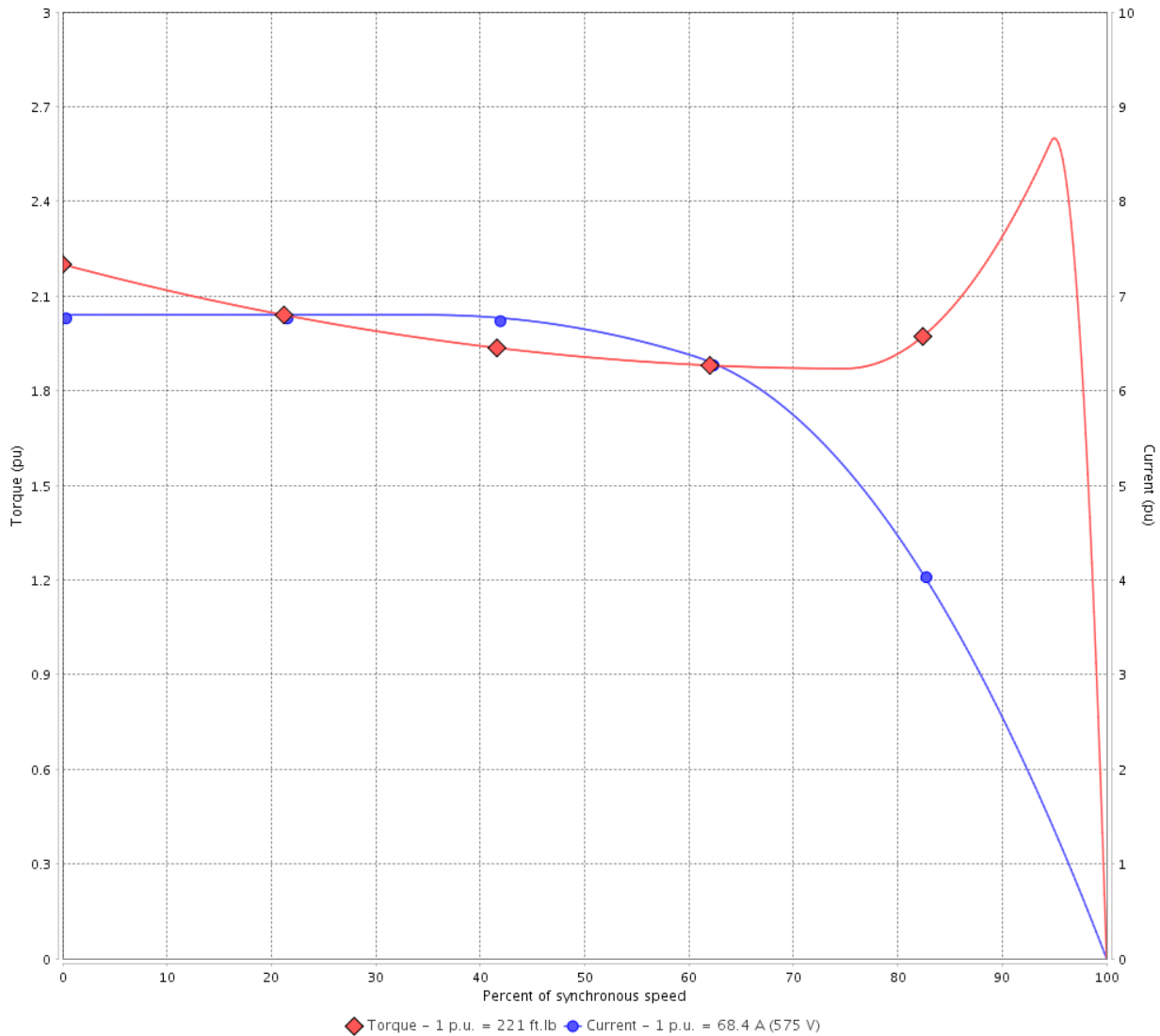
Customer :

Product line : W40 NEMA Premium Efficiency
Three-Phase

Product code : 14272520

Catalog # : 07518OT3H365TC-W40

TORQUE AND CURRENT VS SPEED CURVE



Performance : 575 V 60 Hz 4P

Rated current	: 68.4 A	Moment of inertia (J)	: 16.8 sq.ft.lb
LRC	: 6.8	Duty cycle	: Cont.(S1)
Rated torque	: 221 ft.lb	Insulation class	: F
Locked rotor torque	: 220 %	Service factor	: 1.25
Breakdown torque	: 260 %	Temperature rise	: 80 K
Rated speed	: 1780 rpm	Design	: B

Locked rotor time : 25s (cold) 14s (hot)

Rev.	Changes Summary	Performed	Checked	Date
Performed by			Page 2 / 6	Revision
Checked by				
Date	13/04/2022			

LOAD PERFORMANCE CURVE

Three Phase Induction Motor - Squirrel Cage

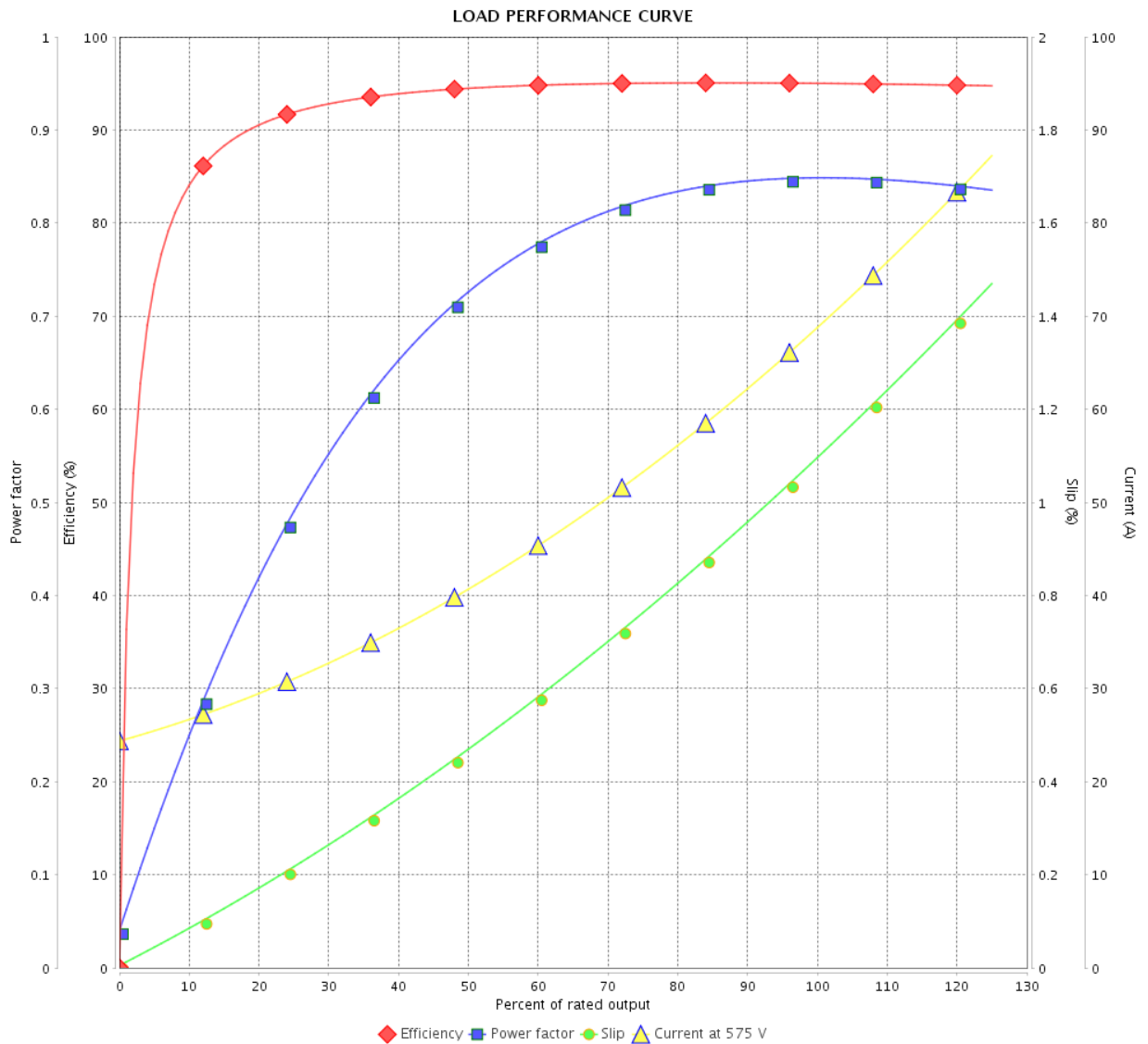


Customer :

Product line : W40 NEMA Premium Efficiency Three-Phase

Product code : 14272520

Catalog # : 07518OT3H365TC-W40



Performance : 575 V 60 Hz 4P

Rated current : 68.4 A
 LRC : 6.8
 Rated torque : 221 ft.lb
 Locked rotor torque : 220 %
 Breakdown torque : 260 %
 Rated speed : 1780 rpm

Moment of inertia (J) : 16.8 sq.ft.lb
 Duty cycle : Cont.(S1)
 Insulation class : F
 Service factor : 1.25
 Temperature rise : 80 K
 Design : B

Rev.	Changes Summary	Performed	Checked	Date
Performed by			Page	Revision
Checked by				
Date				

THERMAL LIMIT CURVE

Three Phase Induction Motor - Squirrel Cage



Customer :

Product line : W40 NEMA Premium Efficiency
Three-Phase

Product code : 14272520

Catalog # : 07518OT3H365TC-W40

Performance : 575 V 60 Hz 4P

Rated current	: 68.4 A	Moment of inertia (J)	: 16.8 sq.ft.lb
LRC	: 6.8	Duty cycle	: Cont.(S1)
Rated torque	: 221 ft.lb	Insulation class	: F
Locked rotor torque	: 220 %	Service factor	: 1.25
Breakdown torque	: 260 %	Temperature rise	: 80 K
Rated speed	: 1780 rpm	Design	: B

Heating constant

Cooling constant

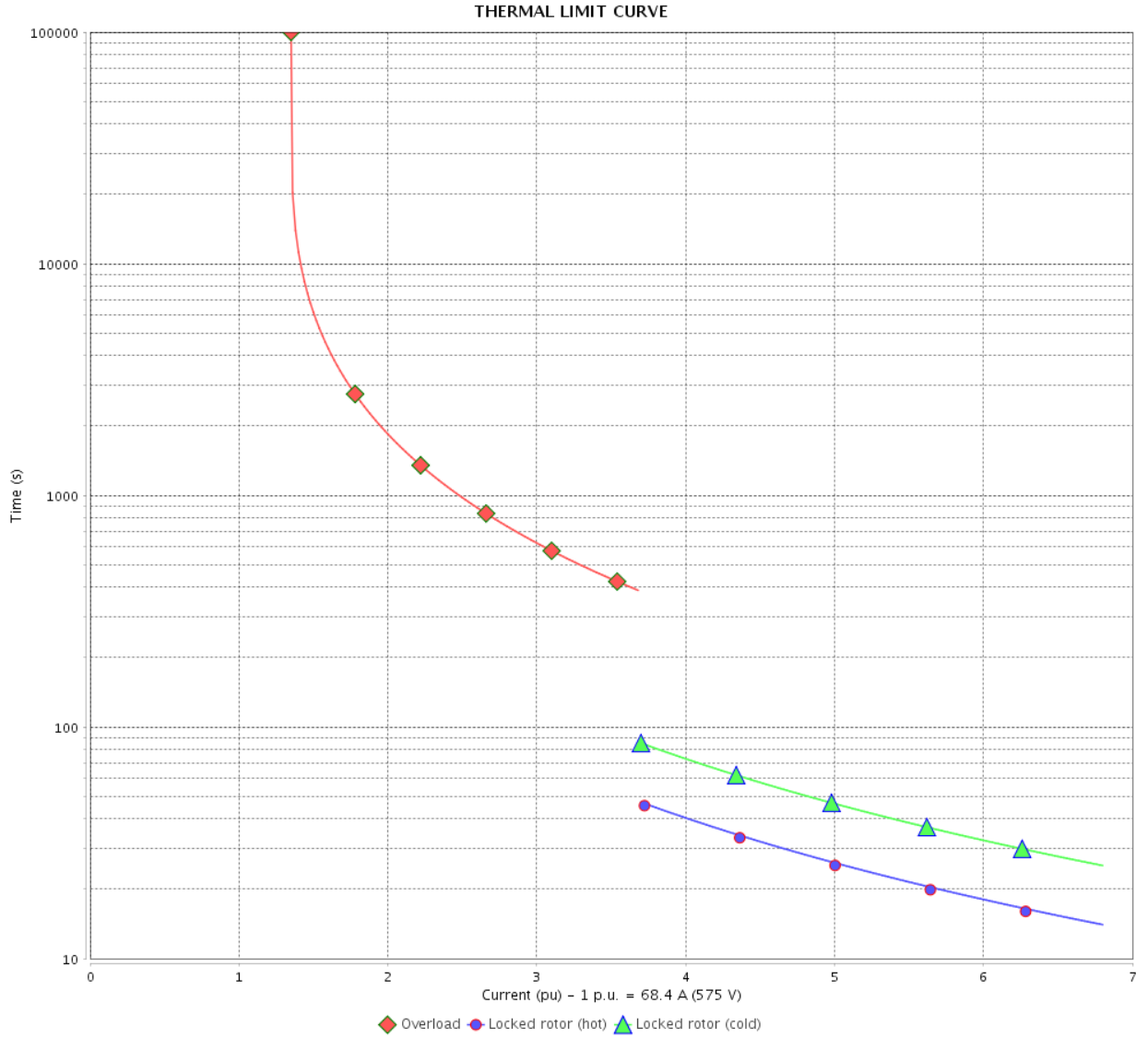
Rev.	Changes Summary	Performed	Checked	Date
Performed by				
Checked by			Page	Revision
Date	13/04/2022		4 / 6	

THERMAL LIMIT CURVE

Three Phase Induction Motor - Squirrel Cage



Customer : _____



Rev.	Changes Summary	Performed	Checked	Date
Performed by		Page 5 / 6		Revision
Checked by				
Date				

VFD OPERATION CURVE

Three Phase Induction Motor - Squirrel Cage



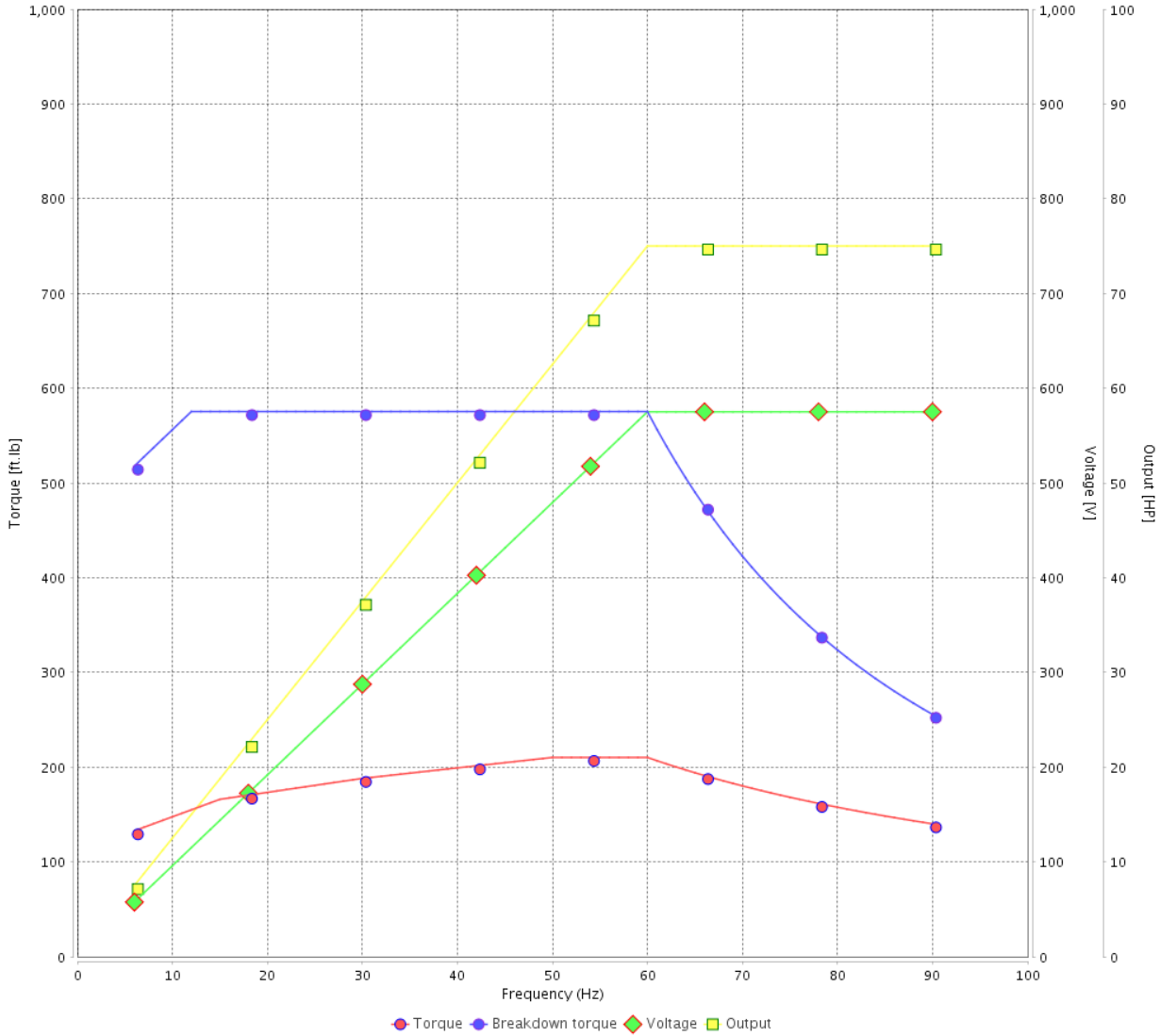
Customer : _____

Product line : W40 NEMA Premium Efficiency
Three-Phase

Product code : 14272520

Catalog # : 07518OT3H365TC-W40

VFD OPERATION CURVE

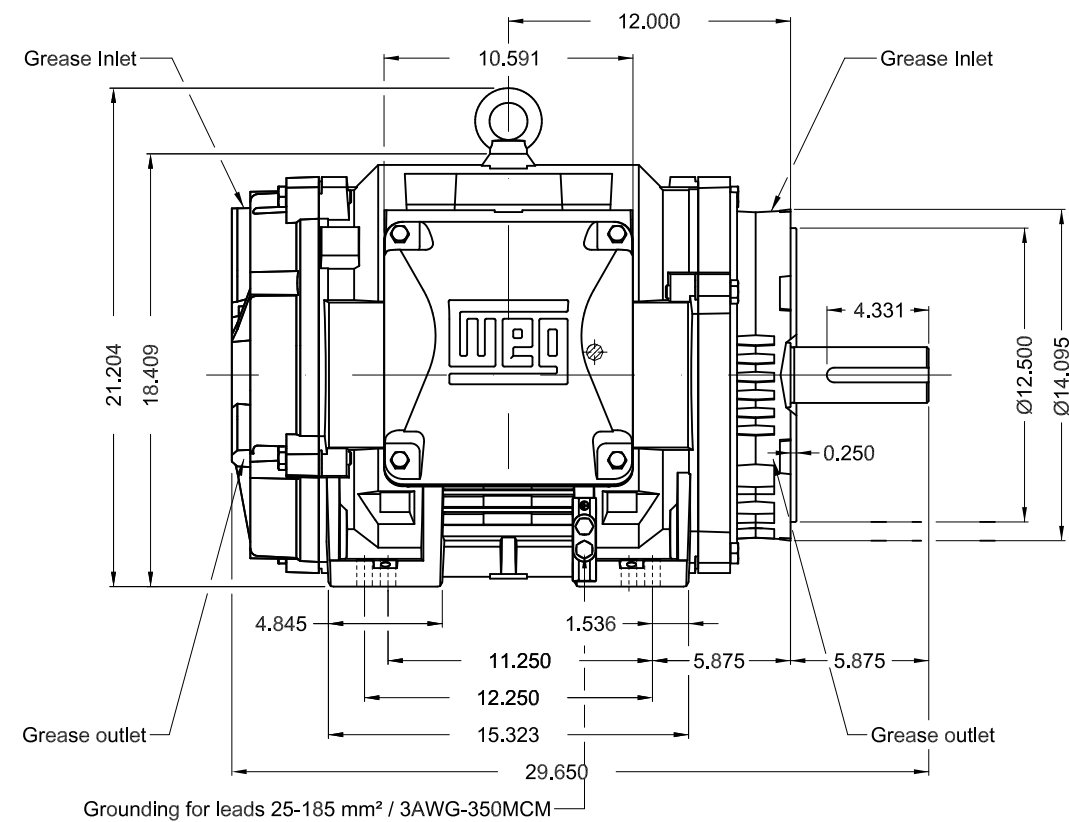
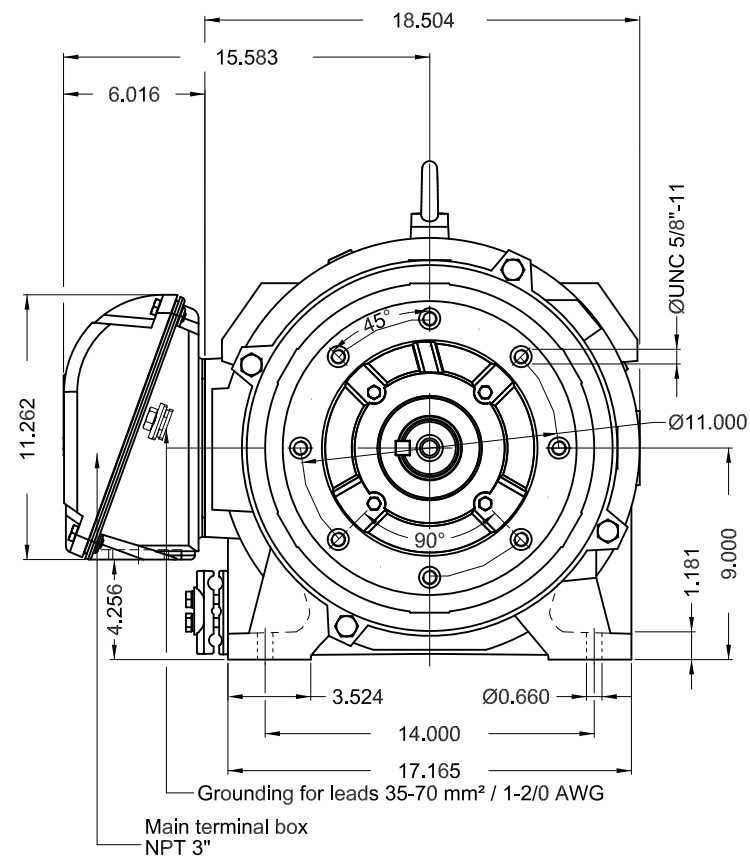


Performance : 575 V 60 Hz 4P

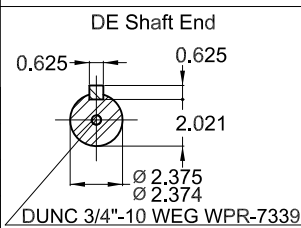
Rated current : 68.4 A
LRC : 6.8
Rated torque : 221 ft.lb
Locked rotor torque : 220 %
Breakdown torque : 260 %
Rated speed : 1780 rpm

Moment of inertia (J) : 16.8 sq.ft.lb
Duty cycle : Cont.(S1)
Insulation class : F
Service factor : 1.25
Temperature rise : 80 K
Design : B

Rev.	Changes Summary	Performed	Checked	Date
Performed by			Page 6 / 6	Revision
Checked by				
Date	13/04/2022			



Color RAL 5009
 Painting plan 203A
 Mounting NEMA F-1
 Mounting B34R(D)



75 HP 04 Poles 60 Hz										A	
										1:8	
ECM	LOC	SUMMARY OF MODIFICATIONS					EXECUTED	CHECKED	RELEASED	DATE	VER
EXECUTED	PIRWBUSER	THREE PH. MOTOR W40 PREM. EFF. FRAME 364/5TC IP23 ODP									
CHECKED											
RELEASED											
REL DT.		WMO	Jaragua do Sul	Product Engineering	SHEET	1 / 1					

PREVIEW
WDD



WEG **W40 NEMA**
CC029A Premium
Inverter Duty Motor



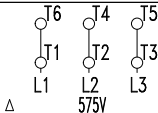
MOD.T01#FOXON



For use on PWM, VT 1000:1, CT 2:1, 1.0SF

CP075504NPW40
 MADE IN BRAZIL
 14272520

PH 3	FR 364/5TC	HP(kW) 75(55)		Hz 60
V 575		A 68.4		IP23
NEMA NOM EFF		95.0	%	RPM 1780
ENCL ODP	DUTY CONT.		INS. CL. F Δ T 80 K	
PF 0.85		DES B	CODE G	AMB. 40°C
SF 1.25	SFA 85.5		ALT 1000 m.a.s.l.	



→ 6314-C3(27g)
 → 6212-Z-C3(13g)

MOBIL POLYREX EM
 20000 h

794 Lbs