

DATA SHEET



Three Phase Induction Motor - Squirrel Cage

Customer : _____						
Product line : NEMA Premium Efficiency Three-Phase		Product code : 12712314				
		Catalog # : 07536ET3H365JM-W22				
Frame : 364/5JM Output : 75 HP (55 kW) Poles : 2 Frequency : 60 Hz Rated voltage : 575 V Rated current : 65.5 A L. R. Amperes : 439 A LRC : 6.7x(Code G) No load current : 16.0 A Rated speed : 3555 rpm Slip : 1.25 % Rated torque : 111 ft.lb Locked rotor torque : 200 % Breakdown torque : 250 % Insulation class : F Service factor : 1.25 Moment of inertia (J) : 11.9 sq.ft.lb Design : B		Locked rotor time : 18s (cold) 10s (hot) Temperature rise : 80 K Duty cycle : Cont.(S1) Ambient temperature : -20°C to +40°C Altitude : 1000 m.a.s.l. Protection degree : IP55 Cooling method : IC411 - TEFC Mounting : F-1 Rotation ¹ : Both (CW and CCW) Noise level ² : 79.0 dB(A) Starting method : Direct On Line Approx. weight ³ : 826 lb				
Output	25%	50%	75%	100%		
Efficiency (%)	92.2	92.4	93.6	93.6		
Power Factor	0.60	0.83	0.88	0.90		
Foundation loads						
Max. traction : 535 lb						
Max. compression : 1361 lb						
		<u>Drive end</u>		<u>Non drive end</u>		
Bearing type	:	6314 C3		6314 C3		
Sealing	:	Lip Seal		Lip Seal		
Lubrication interval	:	4000 h		4000 h		
Lubricant amount	:	27 g		27 g		
Lubricant type	:	Mobil Polyrex EM				
Notes						
This revision replaces and cancel the previous one, which must be eliminated. (1) Looking the motor from the shaft end. (2) Measured at 1m and with tolerance of +3dB(A). (3) Approximate weight subject to changes after manufacturing process. (4) At 100% of full load.			These are average values based on tests with sinusoidal power supply, subject to the tolerances stipulated in NEMA MG-1.			
Rev.	Changes Summary			Performed	Checked	Date
Performed by						
Checked by					Page	Revision
Date	13/04/2022				1 / 6	

TORQUE AND CURRENT VS SPEED CURVE

Three Phase Induction Motor - Squirrel Cage



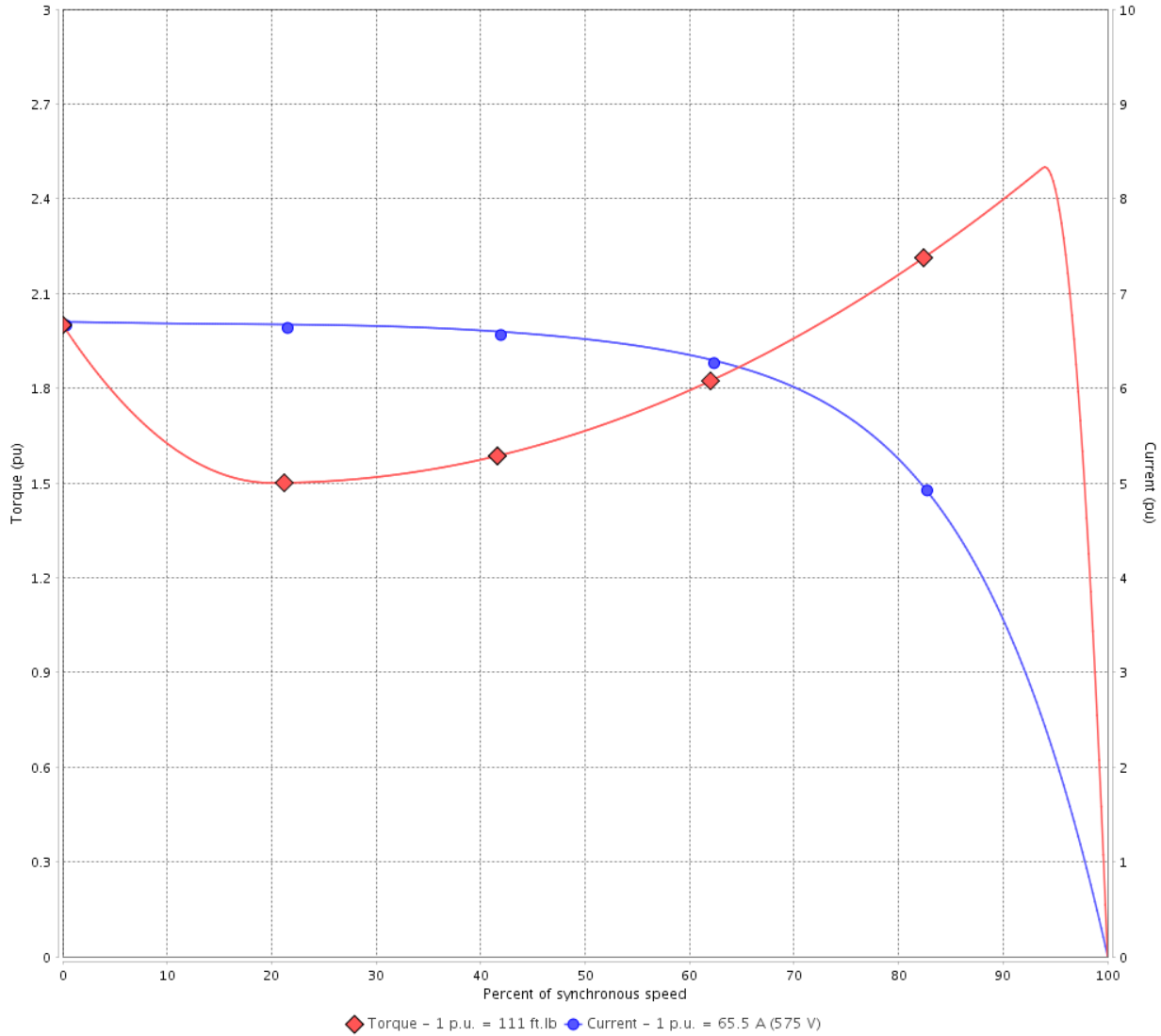
Customer :

Product line : NEMA Premium Efficiency Three-Phase

Product code : 12712314

Catalog # : 07536ET3H365JM-W22

TORQUE AND CURRENT VS SPEED CURVE



Performance : 575 V 60 Hz 2P

Rated current	: 65.5 A	Moment of inertia (J)	: 11.9 sq.ft.lb
LRC	: 6.7	Duty cycle	: Cont.(S1)
Rated torque	: 111 ft.lb	Insulation class	: F
Locked rotor torque	: 200 %	Service factor	: 1.25
Breakdown torque	: 250 %	Temperature rise	: 80 K
Rated speed	: 3555 rpm	Design	: B

Locked rotor time : 18s (cold) 10s (hot)

Rev.	Changes Summary	Performed	Checked	Date
Performed by			Page 2 / 6	Revision
Checked by				
Date	13/04/2022			

LOAD PERFORMANCE CURVE

Three Phase Induction Motor - Squirrel Cage

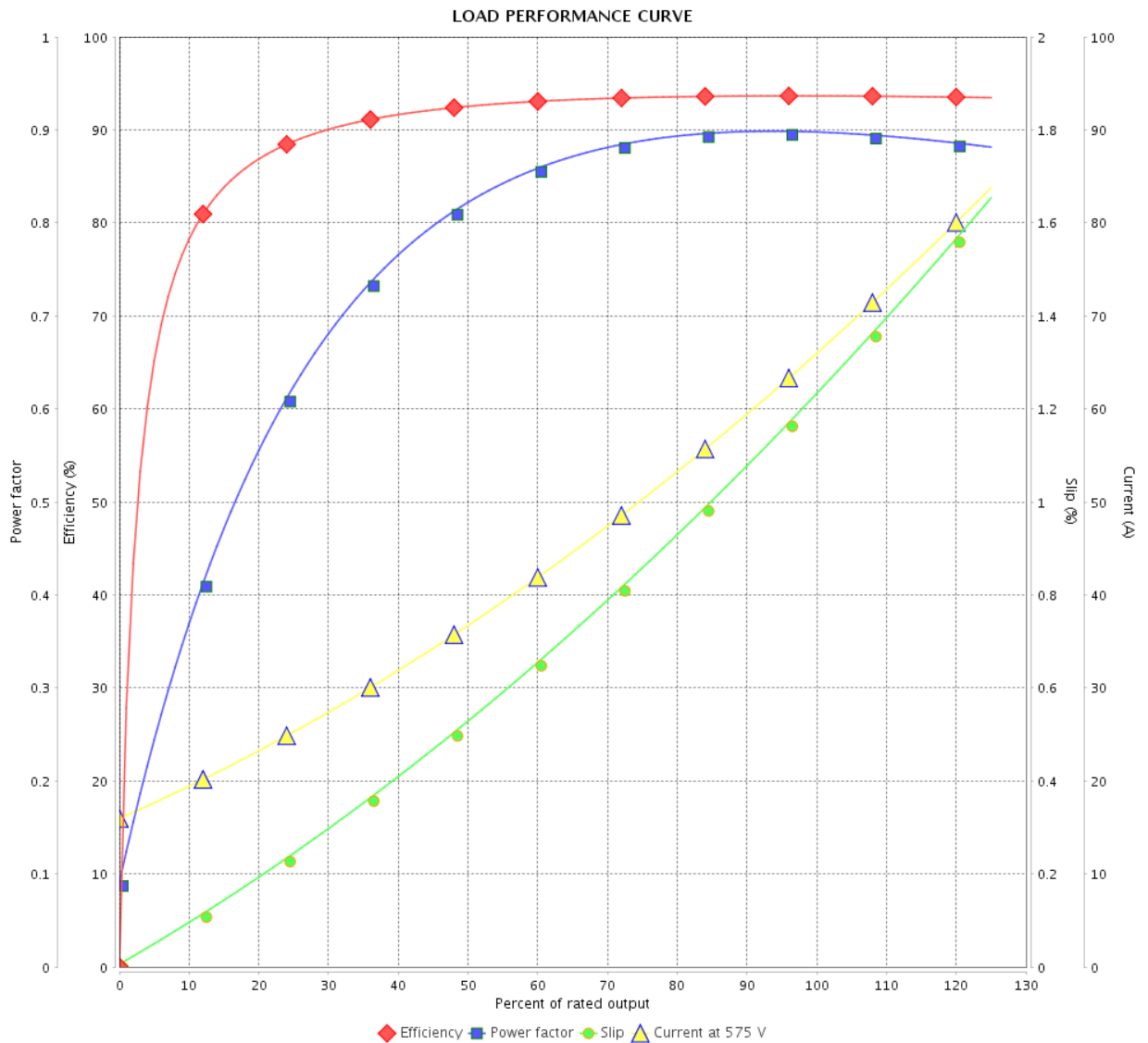


Customer : _____

Product line : NEMA Premium Efficiency Three-Phase

Product code : 12712314

Catalog # : 07536ET3H365JM-W22



Performance : 575 V 60 Hz 2P

Rated current : 65.5 A
 LRC : 6.7
 Rated torque : 111 ft.lb
 Locked rotor torque : 200 %
 Breakdown torque : 250 %
 Rated speed : 3555 rpm

Moment of inertia (J) : 11.9 sq.ft.lb
 Duty cycle : Cont.(S1)
 Insulation class : F
 Service factor : 1.25
 Temperature rise : 80 K
 Design : B

Rev.	Changes Summary	Performed	Checked	Date
Performed by		Page		Revision
Checked by		3 / 6		
Date		13/04/2022		

THERMAL LIMIT CURVE



Three Phase Induction Motor - Squirrel Cage

Customer :

Product line : NEMA Premium Efficiency Three-Phase
Product code : 12712314
Catalog # : 07536ET3H365JM-W22

Performance : 575 V 60 Hz 2P

Rated current	: 65.5 A	Moment of inertia (J)	: 11.9 sq.ft.lb
LRC	: 6.7	Duty cycle	: Cont.(S1)
Rated torque	: 111 ft.lb	Insulation class	: F
Locked rotor torque	: 200 %	Service factor	: 1.25
Breakdown torque	: 250 %	Temperature rise	: 80 K
Rated speed	: 3555 rpm	Design	: B

Heating constant

Cooling constant

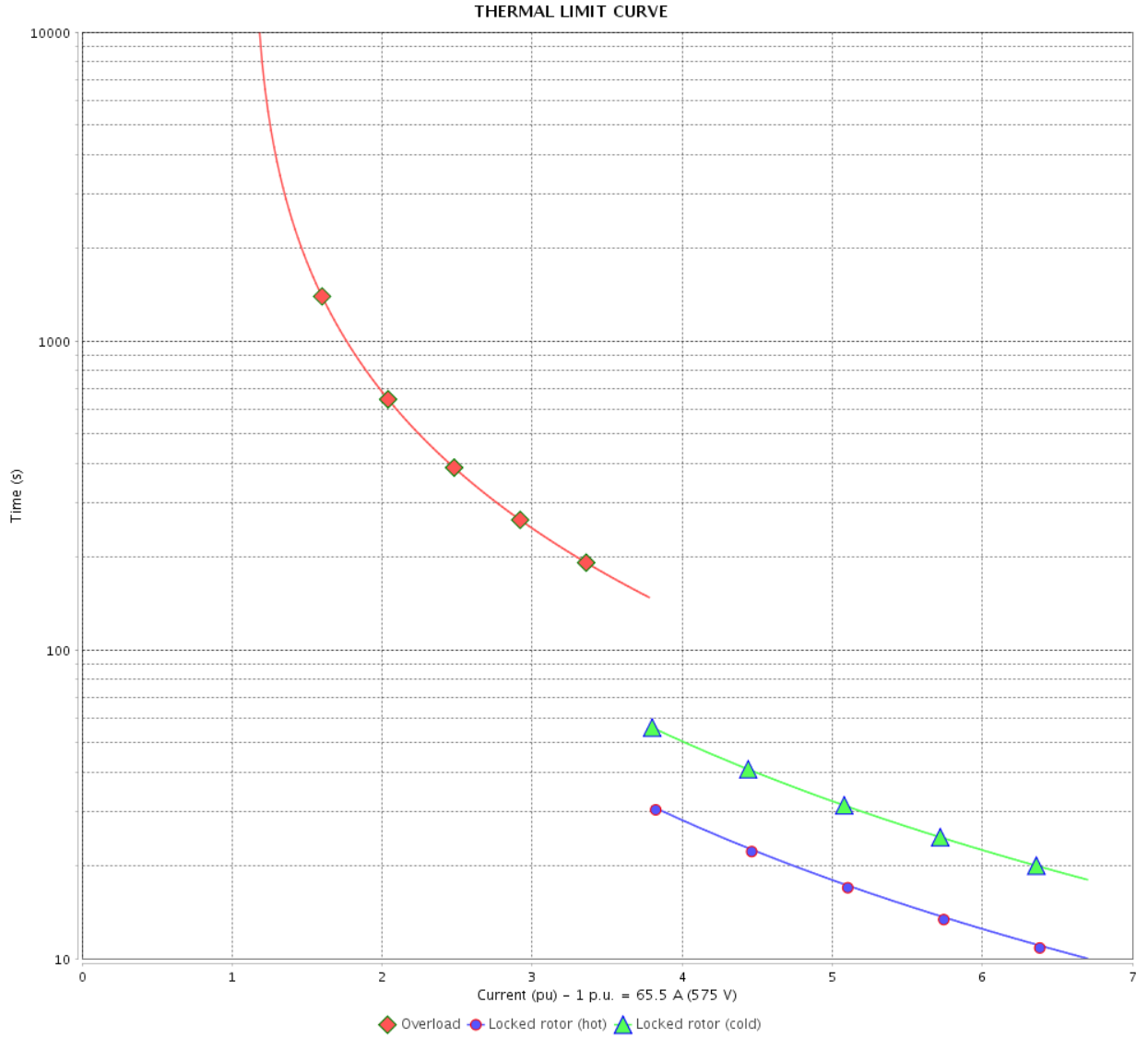
Rev.	Changes Summary	Performed	Checked	Date
Performed by				
Checked by			Page	Revision
Date	13/04/2022		4 / 6	

THERMAL LIMIT CURVE

Three Phase Induction Motor - Squirrel Cage



Customer : _____



Rev.	Changes Summary	Performed	Checked	Date
Performed by		Page 5 / 6		Revision
Checked by				
Date				

VFD OPERATION CURVE

Three Phase Induction Motor - Squirrel Cage

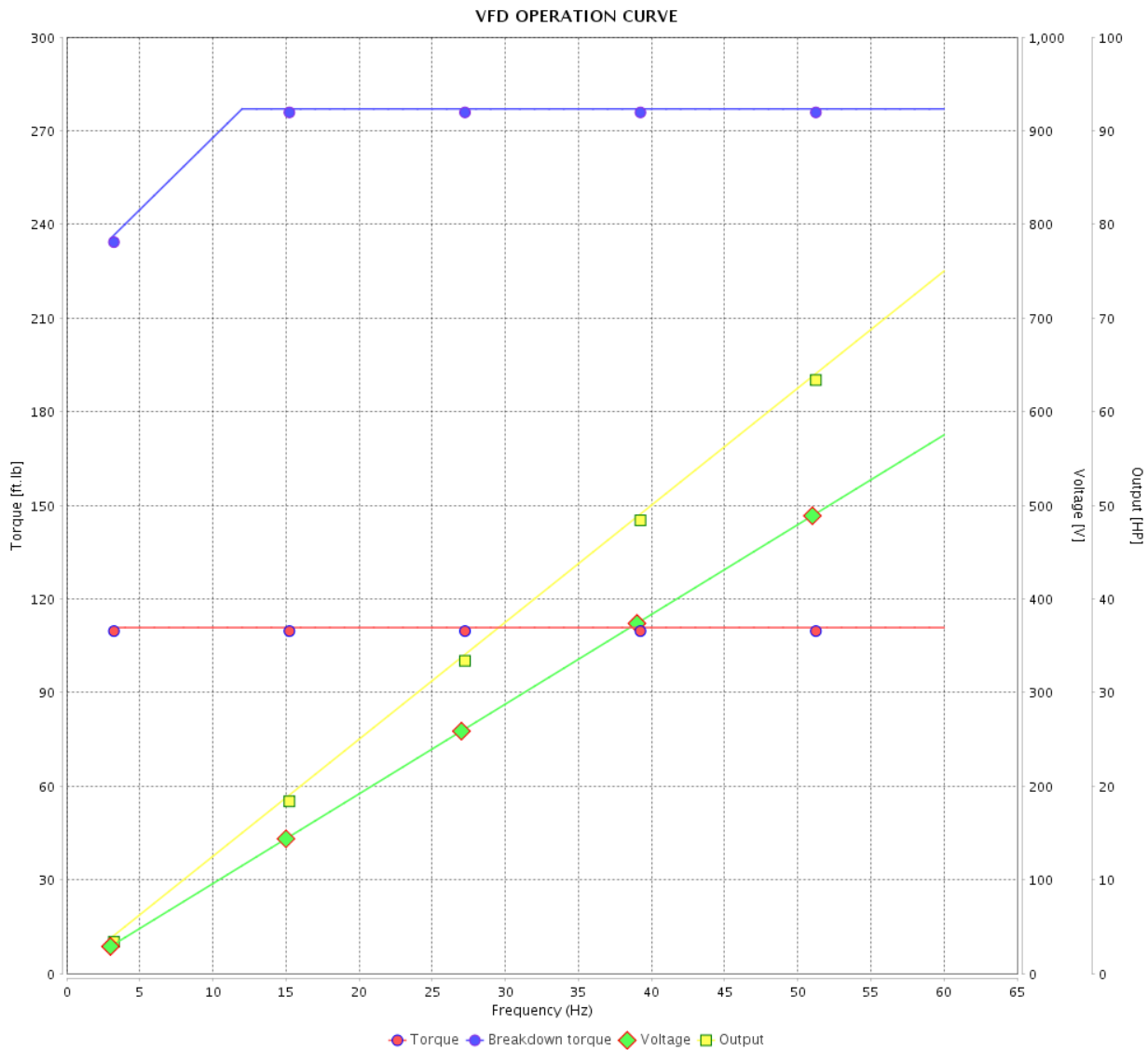


Customer :

Product line : NEMA Premium Efficiency Three-Phase

Product code : 12712314

Catalog # : 07536ET3H365JM-W22



Performance : 575 V 60 Hz 2P

Rated current : 65.5 A
 LRC : 6.7
 Rated torque : 111 ft.lb
 Locked rotor torque : 200 %
 Breakdown torque : 250 %
 Rated speed : 3555 rpm

Moment of inertia (J) : 11.9 sq.ft.lb
 Duty cycle : Cont.(S1)
 Insulation class : F
 Service factor : 1.25
 Temperature rise : 80 K
 Design : B

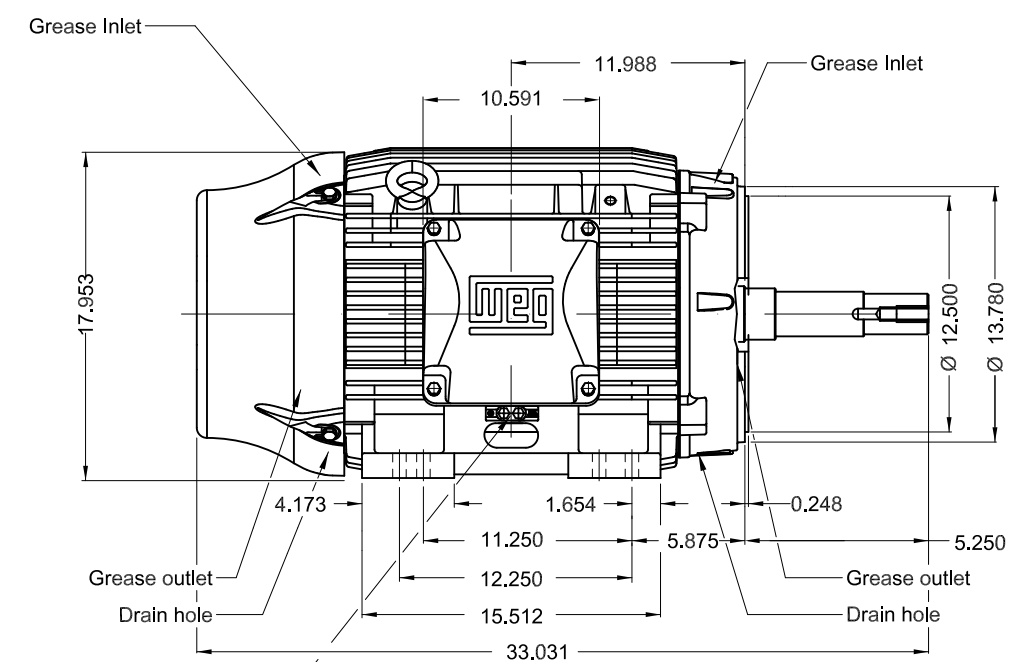
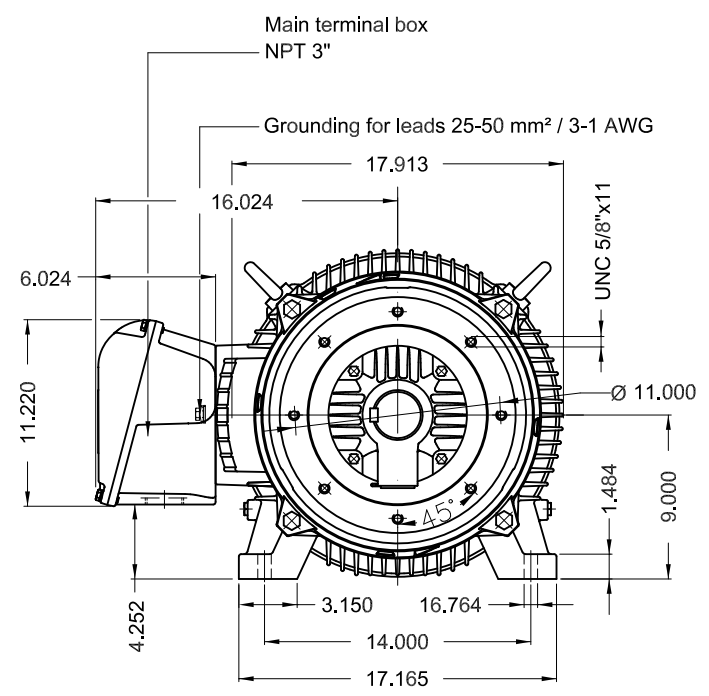
Rev.	Changes Summary	Performed	Checked	Date
Performed by			Page	Revision
Checked by				
Date				

1 2 3 4 5 6

A

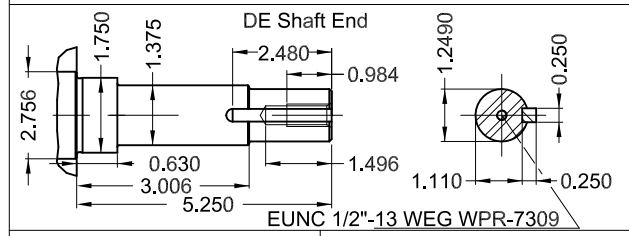
B

C



Grounding for leads 25-185 mm² / 3AWG-350MCM

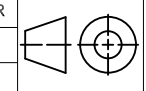
D



E

Color RAL 5009
 Painting plan 203A
 Mounting NEMA F-1
 Mounting B34R(D)

75 HP 02 Poles 60 Hz A

ECM	LOC	SUMMARY OF MODIFICATIONS	EXECUTED	CHECKED	RELEASED	DATE	VER
EXECUTED	PIRWBUSER	 THREE PH. MOTOR JM/JP/JET PUMP W22 PREM. EFF. FRAME 364/5JM IP55 TEFC					
CHECKED							
RELEASED							
REL DT.	WMO		Jaragua do Sul	Product Engineering	SHEET	1 / 1	

PREVIEW
 WDD

