

DATA SHEET



Three Phase Induction Motor - Squirrel Cage

Customer :																			
Product line	: W40 JM Pump NEMA Premium Efficiency Three-Phase																		
Product code :	14837654																		
Catalog # :	07536OT3H364JMV-W40																		
Frame : 364/5JM Output : 75 HP (55 kW) Poles : 2 Frequency : 60 Hz Rated voltage : 575 V Rated current : 67.8 A L. R. Amperes : 448 A LRC : 6.6x(Code G) No load current : 17.2 A Rated speed : 3555 rpm Slip : 1.25 % Rated torque : 111 ft.lb Locked rotor torque : 200 % Breakdown torque : 250 % Insulation class : F Service factor : 1.25 Moment of inertia (J) : 6.40 sq.ft.lb Design : B	Locked rotor time : 34s (cold) 19s (hot) Temperature rise : 80 K Duty cycle : Cont.(S1) Ambient temperature : -20°C to +40°C Altitude : 1000 m.a.s.l. Protection degree : IP23 Cooling method : IC01 - ODP Mounting : W-6 Rotation ¹ : Both (CW and CCW) Noise level ² : 84.0 dB(A) Starting method : Direct On Line Approx. weight ³ : 685 lb																		
Output	25% 50% 75% 100%																		
Efficiency (%)	91.0 91.7 93.0 93.6																		
Power Factor	0.56 0.77 0.84 0.87																		
Foundation loads																			
Max. traction : 607 lb																			
Max. compression : 1291 lb																			
	<table border="0"> <tr> <td></td> <td style="text-align: center;"><u>Drive end</u></td> <td style="text-align: center;"><u>Non drive end</u></td> </tr> <tr> <td>Bearing type :</td> <td style="text-align: center;">6314 C3</td> <td style="text-align: center;">6212 Z C3</td> </tr> <tr> <td>Sealing :</td> <td style="text-align: center;">Without Bearing Seal</td> <td style="text-align: center;">Without Bearing Seal</td> </tr> <tr> <td>Lubrication interval :</td> <td style="text-align: center;">7209 h</td> <td style="text-align: center;">12143 h</td> </tr> <tr> <td>Lubricant amount :</td> <td style="text-align: center;">27 g</td> <td style="text-align: center;">13 g</td> </tr> <tr> <td>Lubricant type :</td> <td colspan="2" style="text-align: center;">Mobil Polyrex EM</td> </tr> </table>		<u>Drive end</u>	<u>Non drive end</u>	Bearing type :	6314 C3	6212 Z C3	Sealing :	Without Bearing Seal	Without Bearing Seal	Lubrication interval :	7209 h	12143 h	Lubricant amount :	27 g	13 g	Lubricant type :	Mobil Polyrex EM	
	<u>Drive end</u>	<u>Non drive end</u>																	
Bearing type :	6314 C3	6212 Z C3																	
Sealing :	Without Bearing Seal	Without Bearing Seal																	
Lubrication interval :	7209 h	12143 h																	
Lubricant amount :	27 g	13 g																	
Lubricant type :	Mobil Polyrex EM																		
Notes																			
This revision replaces and cancel the previous one, which must be eliminated. (1) Looking the motor from the shaft end. (2) Measured at 1m and with tolerance of +3dB(A). (3) Approximate weight subject to changes after manufacturing process. (4) At 100% of full load.																			
These are average values based on tests with sinusoidal power supply, subject to the tolerances stipulated in NEMA MG-1.																			
Rev.	Changes Summary	Performed	Checked	Date															
Performed by																			
Checked by			Page	Revision															
Date	13/04/2022		1 / 6																

TORQUE AND CURRENT VS SPEED CURVE

Three Phase Induction Motor - Squirrel Cage



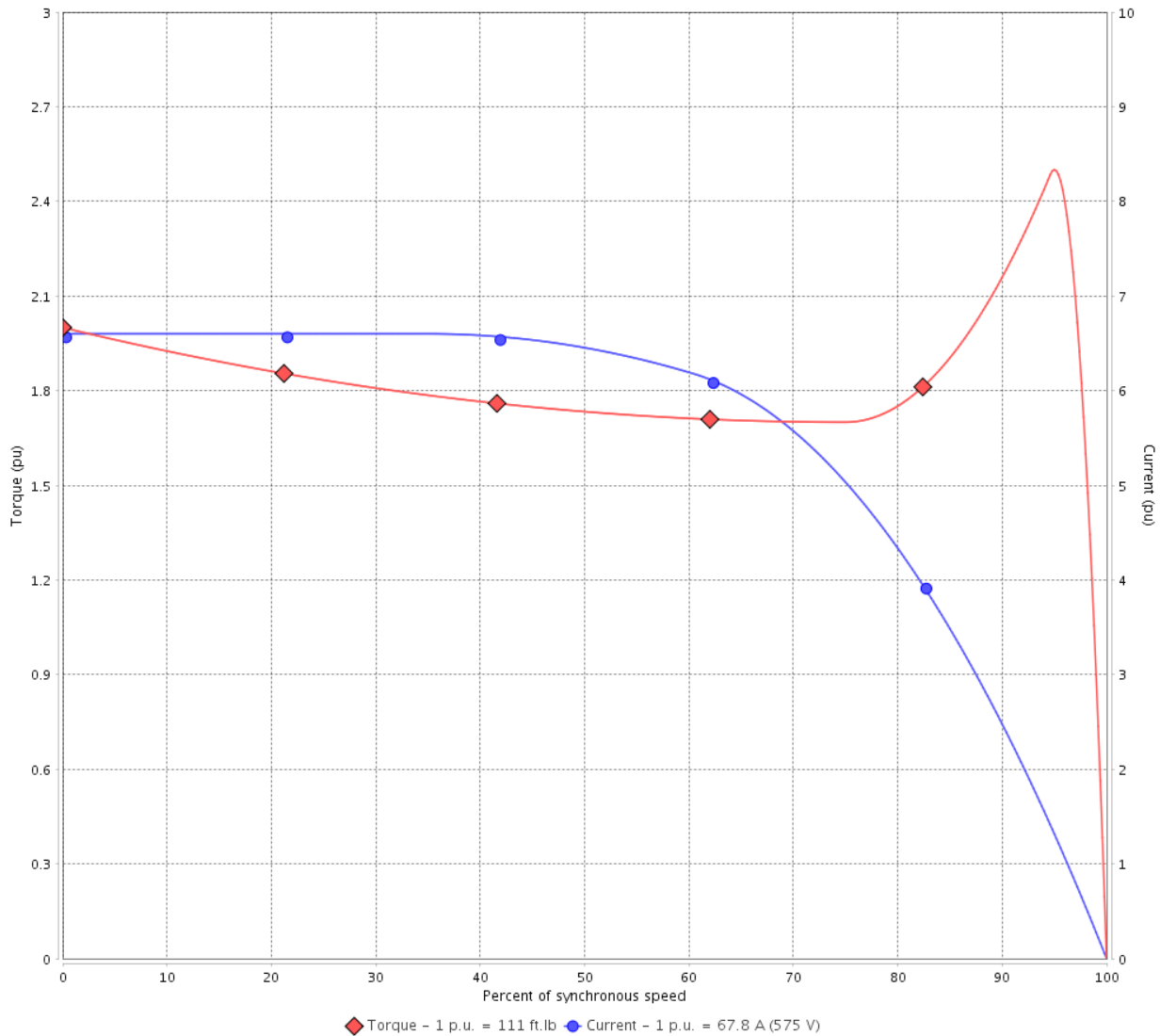
Customer :

Product line : W40 JM Pump NEMA Premium Efficiency Three-Phase

Product code : 14837654

Catalog # : 07536OT3H364JMV-W40

TORQUE AND CURRENT VS SPEED CURVE



Performance : 575 V 60 Hz 2P

Rated current	: 67.8 A	Moment of inertia (J)	: 6.40 sq.ft.lb
LRC	: 6.6	Duty cycle	: Cont.(S1)
Rated torque	: 111 ft.lb	Insulation class	: F
Locked rotor torque	: 200 %	Service factor	: 1.25
Breakdown torque	: 250 %	Temperature rise	: 80 K
Rated speed	: 3555 rpm	Design	: B

Locked rotor time : 34s (cold) 19s (hot)

Rev.	Changes Summary	Performed	Checked	Date
Performed by			Page 2 / 6	Revision
Checked by				
Date	13/04/2022			

LOAD PERFORMANCE CURVE

Three Phase Induction Motor - Squirrel Cage

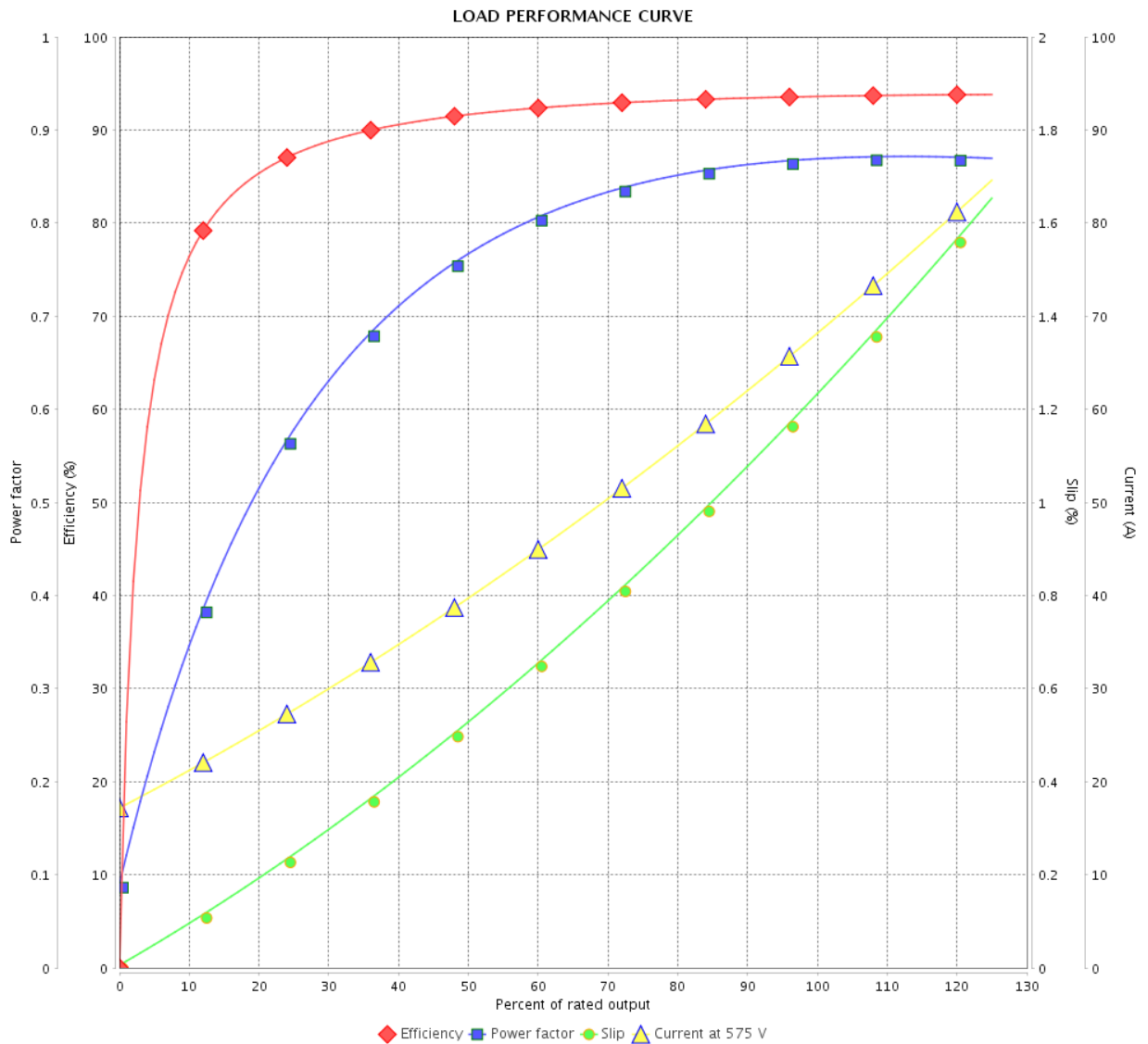


Customer :

Product line : W40 JM Pump NEMA Premium
Efficiency Three-Phase

Product code : 14837654

Catalog # : 07536OT3H364JMV-W40



Performance : 575 V 60 Hz 2P

Rated current : 67.8 A
 LRC : 6.6
 Rated torque : 111 ft.lb
 Locked rotor torque : 200 %
 Breakdown torque : 250 %
 Rated speed : 3555 rpm

Moment of inertia (J) : 6.40 sq.ft.lb
 Duty cycle : Cont.(S1)
 Insulation class : F
 Service factor : 1.25
 Temperature rise : 80 K
 Design : B

Rev.	Changes Summary	Performed	Checked	Date
Performed by			Page	Revision
Checked by				
Date				

THERMAL LIMIT CURVE



Three Phase Induction Motor - Squirrel Cage

Customer :

Product line : W40 JM Pump NEMA Premium
Efficiency Three-Phase

Product code : 14837654

Catalog # : 07536OT3H364JMV-W40

Performance : 575 V 60 Hz 2P

Rated current	: 67.8 A	Moment of inertia (J)	: 6.40 sq.ft.lb
LRC	: 6.6	Duty cycle	: Cont.(S1)
Rated torque	: 111 ft.lb	Insulation class	: F
Locked rotor torque	: 200 %	Service factor	: 1.25
Breakdown torque	: 250 %	Temperature rise	: 80 K
Rated speed	: 3555 rpm	Design	: B

Heating constant

Cooling constant

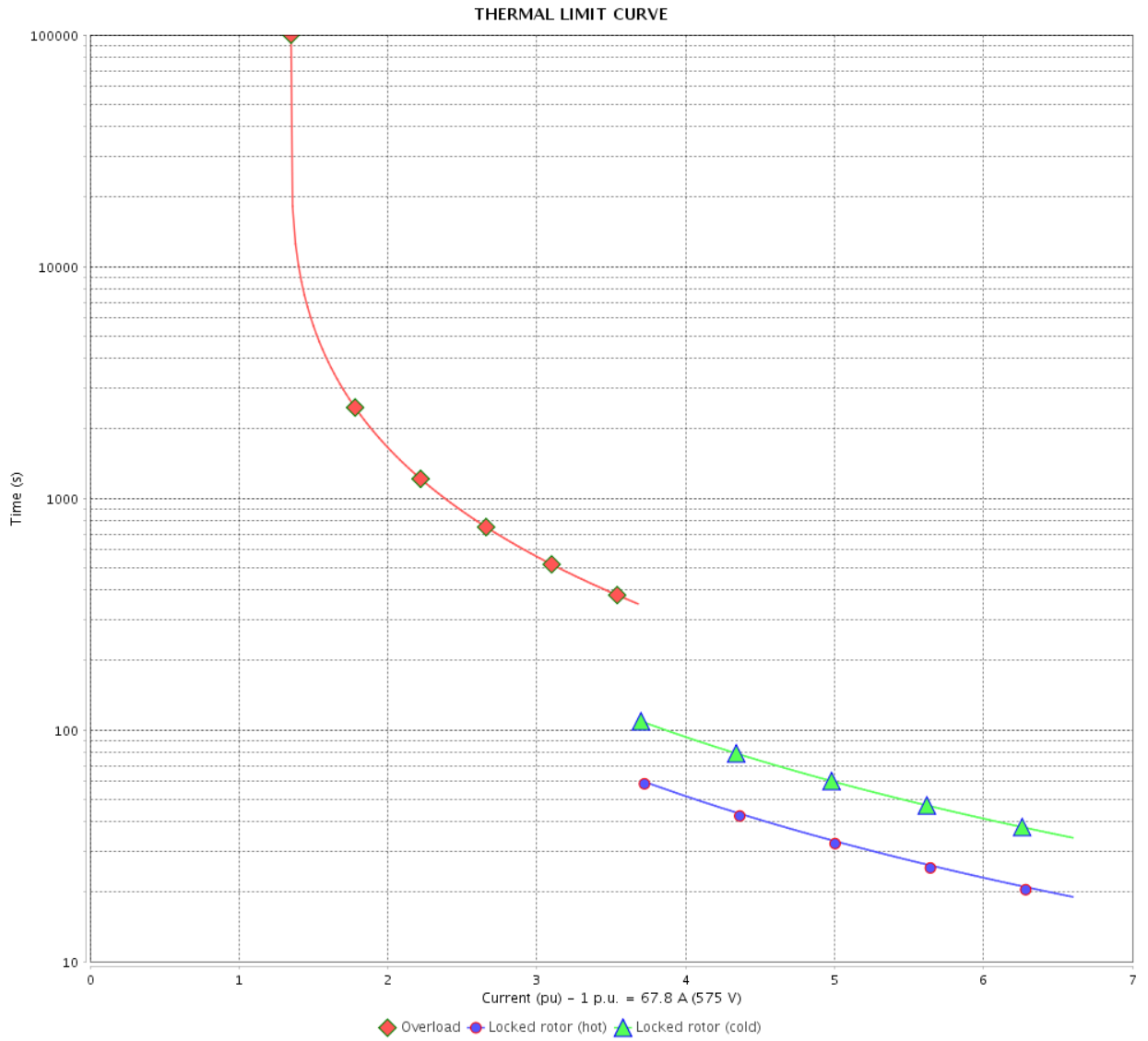
Rev.	Changes Summary	Performed	Checked	Date
Performed by				
Checked by			Page	Revision
Date	13/04/2022		4 / 6	

THERMAL LIMIT CURVE

Three Phase Induction Motor - Squirrel Cage



Customer : _____



Rev.	Changes Summary	Performed	Checked	Date
Performed by		Page 5 / 6		Revision
Checked by				
Date				

VFD OPERATION CURVE

Three Phase Induction Motor - Squirrel Cage

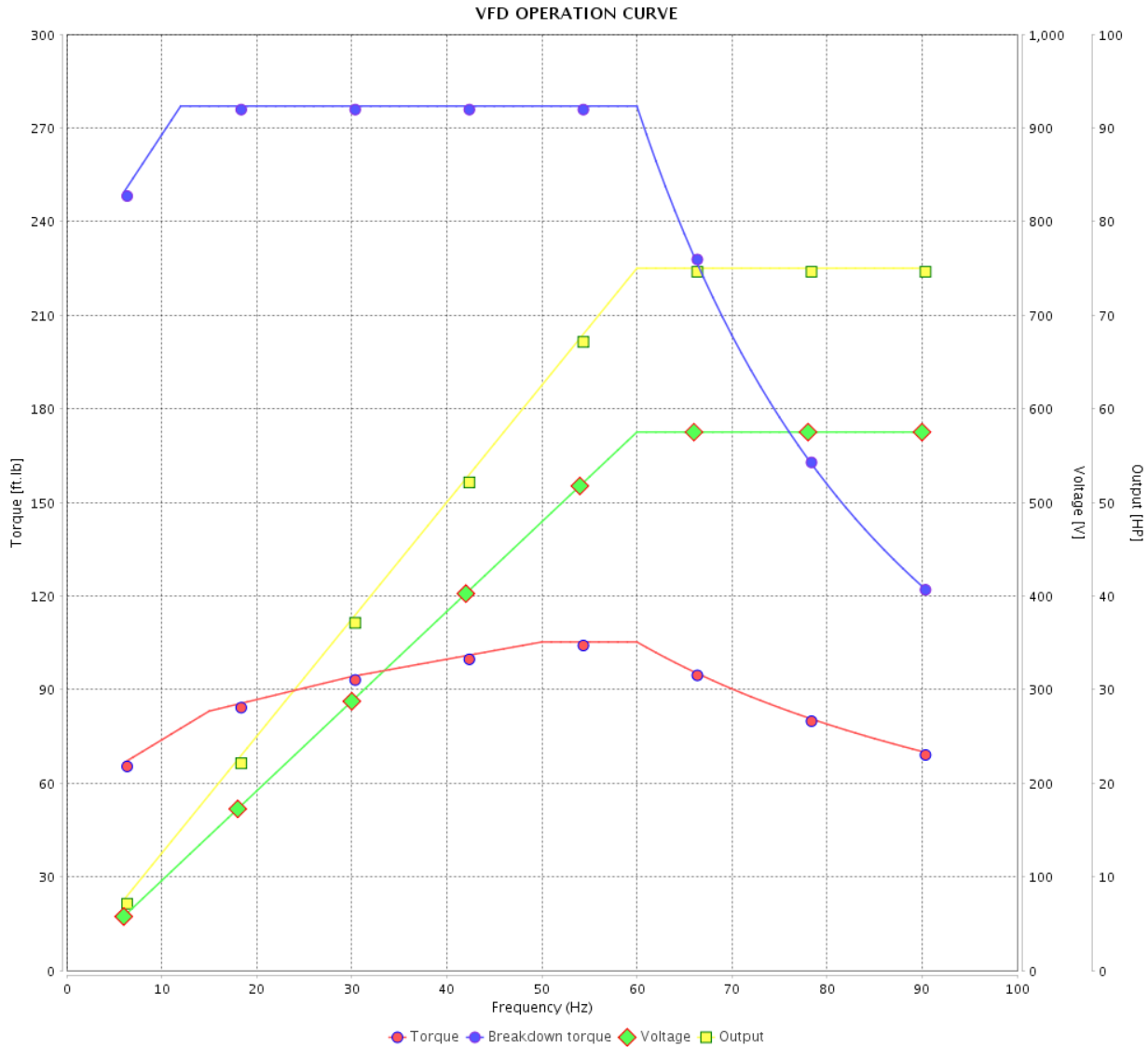


Customer :

Product line : W40 JM Pump NEMA Premium Efficiency Three-Phase

Product code : 14837654

Catalog # : 07536OT3H364JMV-W40

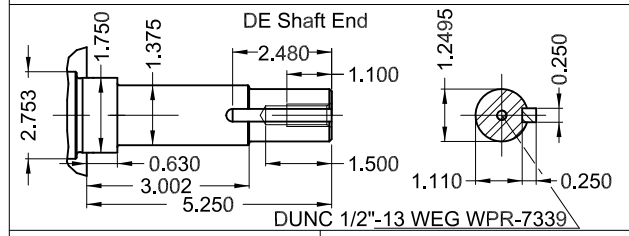
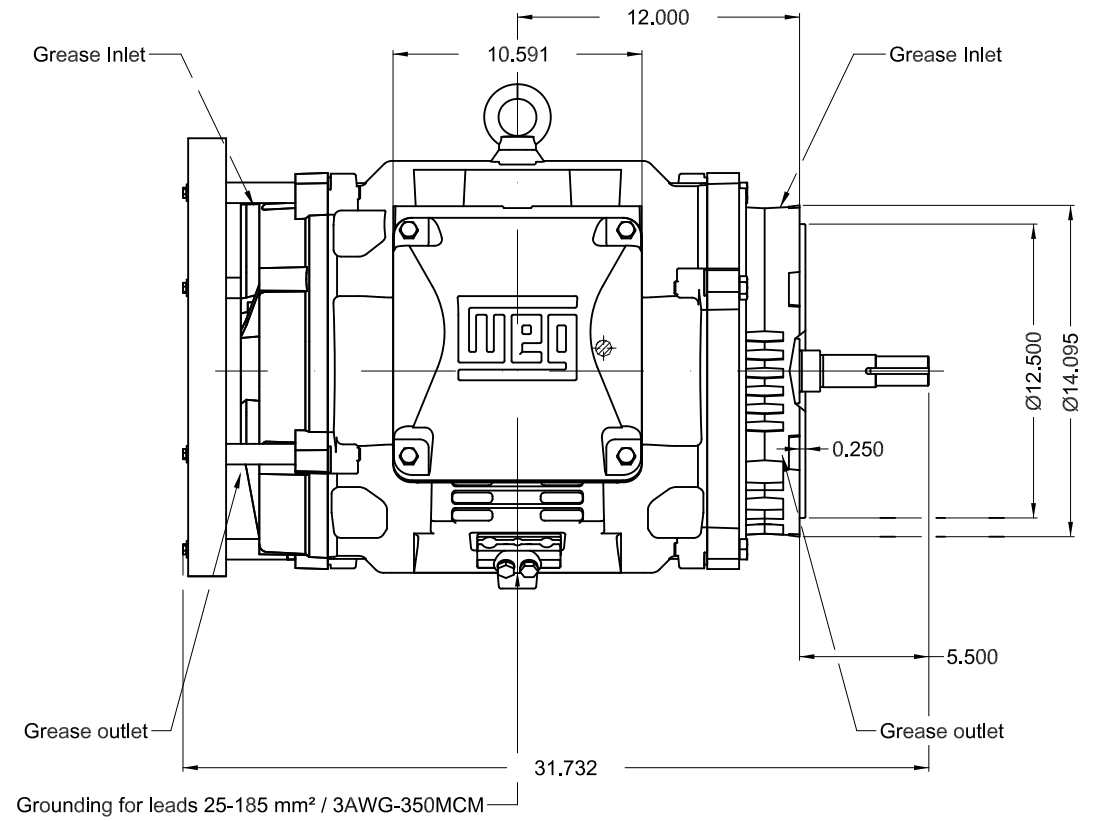
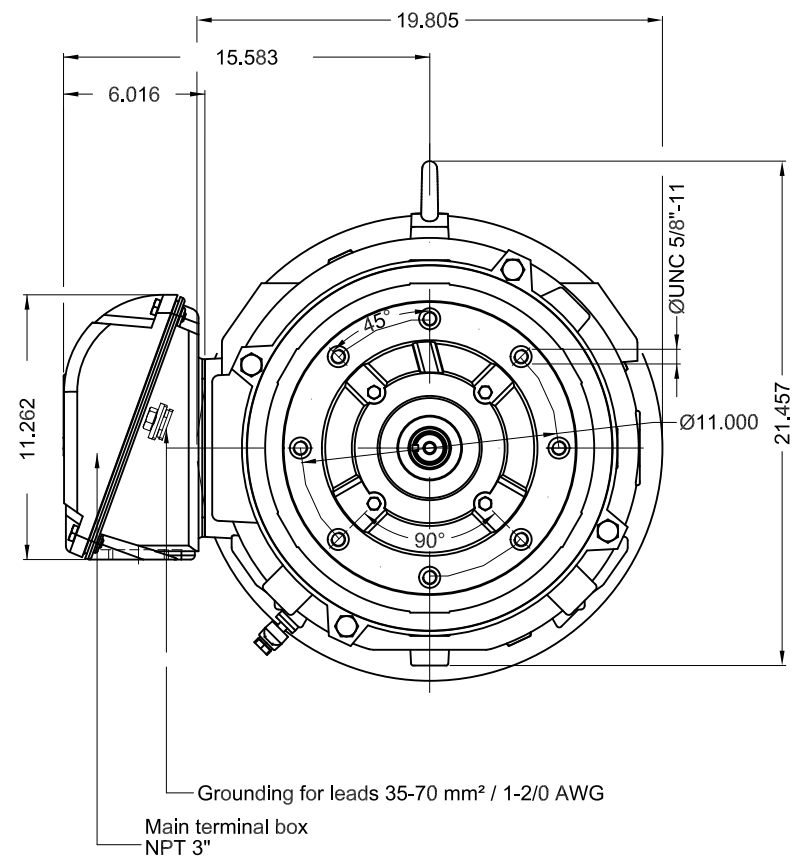


Performance : 575 V 60 Hz 2P

Rated current : 67.8 A
 LRC : 6.6
 Rated torque : 111 ft.lb
 Locked rotor torque : 200 %
 Breakdown torque : 250 %
 Rated speed : 3555 rpm

Moment of inertia (J) : 6.40 sq.ft.lb
 Duty cycle : Cont.(S1)
 Insulation class : F
 Service factor : 1.25
 Temperature rise : 80 K
 Design : B

Rev.	Changes Summary	Performed	Checked	Date
Performed by			Page 6 / 6	Revision
Checked by				
Date	13/04/2022			



75 HP 02 Poles 60 Hz A

1:8

ECM	LOC	SUMMARY OF MODIFICATIONS	EXECUTED	CHECKED	RELEASED	DATE	VER
EXECUTED	PIRWBUSER	THREE PH. MOTOR W40 CLOSE COUPLED PUMP JM TYPE PREM-EST.					
CHECKED		FRAME 364/5JM IP23 ODP					
RELEASED							
REL DT.	WMO	Jaragua do Sul	Product Engineering	SHEET	1 / 1		

- Color RAL 5009
- Painting plan 203A
- Mounting NEMA W-6
- Mounting V18

PREVIEW
WDD

