

# DATA SHEET



## Three Phase Induction Motor - Squirrel Cage

Customer :																			
Product line	: W40 JP Pump NEMA Premium Efficiency Three-Phase																		
Product code :	14836797																		
Catalog # :	07536OT3V364JPV-W40																		
Frame : 364/5JP Output : 75 HP (55 kW) Poles : 2 Frequency : 60 Hz Rated voltage : 200/400 V Rated current : 195/97.5 A L. R. Amperes : 1287/644 A LRC : 6.6x(Code G) No load current : 49.5/24.7 A Rated speed : 3555 rpm Slip : 1.25 % Rated torque : 111 ft.lb Locked rotor torque : 200 % Breakdown torque : 250 % Insulation class : F Service factor : 1.25 Moment of inertia (J) : 6.40 sq.ft.lb Design : B	Locked rotor time : 34s (cold) 19s (hot) Temperature rise : 80 K Duty cycle : Cont.(S1) Ambient temperature : -20°C to +40°C Altitude : 1000 m.a.s.l. Protection degree : IP23 Cooling method : IC01 - ODP Mounting : W-6 Rotation <sup>1</sup> : Both (CW and CCW) Noise level <sup>2</sup> : 84.0 dB(A) Starting method : Direct On Line Approx. weight <sup>3</sup> : 728 lb																		
Output	25%    50%    75%    100%																		
Efficiency (%)	91.0    91.7    93.0    93.6																		
Power Factor	0.56    0.77    0.84    0.87																		
Foundation loads																			
Max. traction : 585 lb																			
Max. compression : 1313 lb																			
<table border="0"> <tr> <td></td> <td style="text-align: center;"><u>Drive end</u></td> <td style="text-align: center;"><u>Non drive end</u></td> </tr> <tr> <td>Bearing type :</td> <td style="text-align: center;">6314 C3</td> <td style="text-align: center;">6212 Z C3</td> </tr> <tr> <td>Sealing :</td> <td style="text-align: center;">Without Bearing Seal</td> <td style="text-align: center;">Without Bearing Seal</td> </tr> <tr> <td>Lubrication interval :</td> <td style="text-align: center;">7209 h</td> <td style="text-align: center;">12143 h</td> </tr> <tr> <td>Lubricant amount :</td> <td style="text-align: center;">27 g</td> <td style="text-align: center;">13 g</td> </tr> <tr> <td>Lubricant type :</td> <td colspan="2" style="text-align: center;">Mobil Polyrex EM</td> </tr> </table>			<u>Drive end</u>	<u>Non drive end</u>	Bearing type :	6314 C3	6212 Z C3	Sealing :	Without Bearing Seal	Without Bearing Seal	Lubrication interval :	7209 h	12143 h	Lubricant amount :	27 g	13 g	Lubricant type :	Mobil Polyrex EM	
	<u>Drive end</u>	<u>Non drive end</u>																	
Bearing type :	6314 C3	6212 Z C3																	
Sealing :	Without Bearing Seal	Without Bearing Seal																	
Lubrication interval :	7209 h	12143 h																	
Lubricant amount :	27 g	13 g																	
Lubricant type :	Mobil Polyrex EM																		
Notes																			
This revision replaces and cancel the previous one, which must be eliminated. (1) Looking the motor from the shaft end. (2) Measured at 1m and with tolerance of +3dB(A). (3) Approximate weight subject to changes after manufacturing process. (4) At 100% of full load.																			
These are average values based on tests with sinusoidal power supply, subject to the tolerances stipulated in NEMA MG-1.																			
Rev.	Changes Summary	Performed	Checked	Date															
Performed by																			
Checked by			Page	Revision															
Date	13/04/2022		1 / 6																

# TORQUE AND CURRENT VS SPEED CURVE

## Three Phase Induction Motor - Squirrel Cage



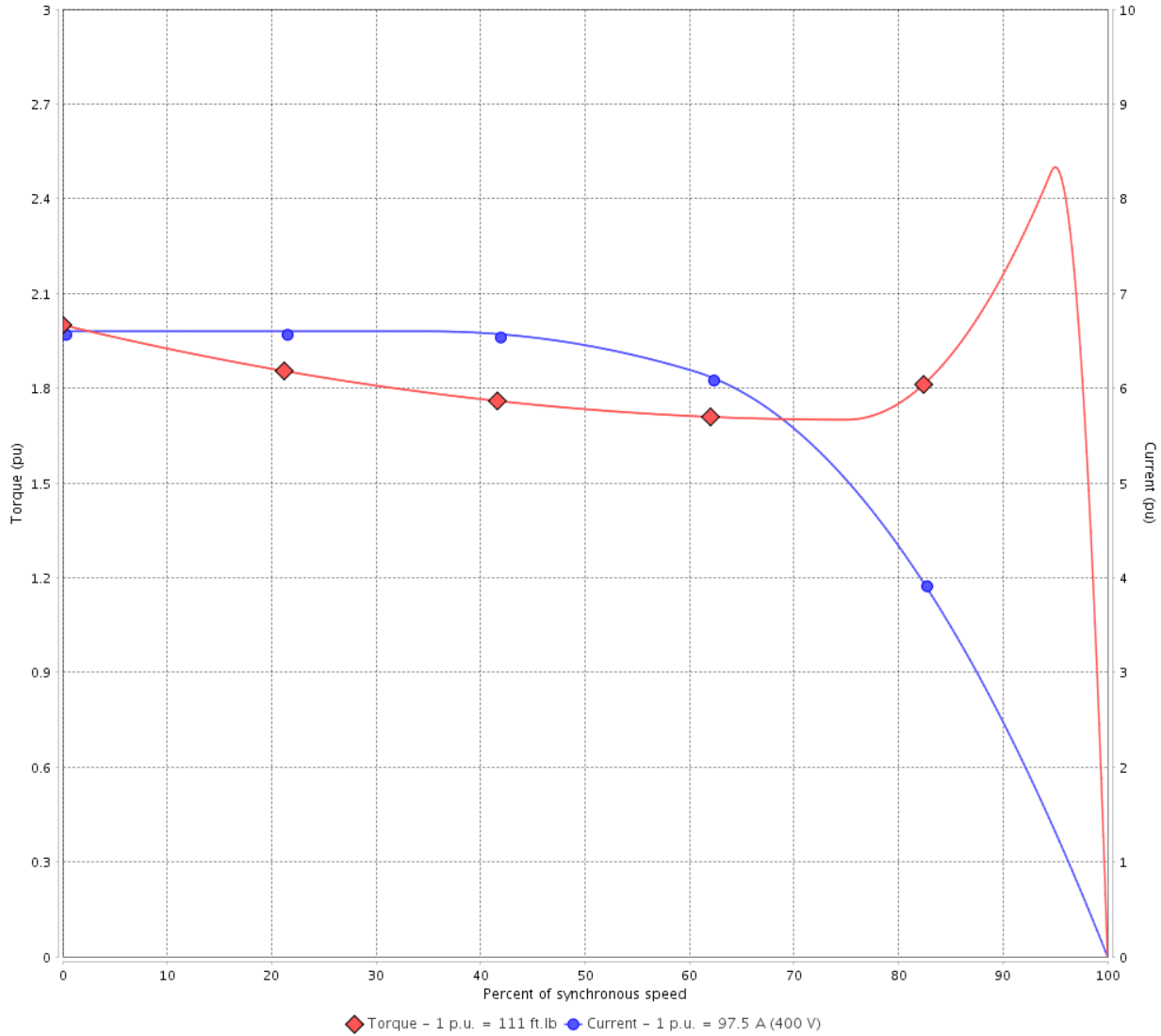
Customer :

Product line : W40 JP Pump NEMA Premium Efficiency Three-Phase

Product code : 14836797

Catalog # : 07536OT3V364JPV-W40

TORQUE AND CURRENT VS SPEED CURVE



Performance : 200/400 V 60 Hz 2P

Rated current	: 195/97.5 A	Moment of inertia (J)	: 6.40 sq.ft.lb
LRC	: 6.6	Duty cycle	: Cont.(S1)
Rated torque	: 111 ft.lb	Insulation class	: F
Locked rotor torque	: 200 %	Service factor	: 1.25
Breakdown torque	: 250 %	Temperature rise	: 80 K
Rated speed	: 3555 rpm	Design	: B

Locked rotor time : 34s (cold) 19s (hot)

Rev.	Changes Summary	Performed	Checked	Date
Performed by			Page 2 / 6	Revision
Checked by				
Date	13/04/2022			

# LOAD PERFORMANCE CURVE

## Three Phase Induction Motor - Squirrel Cage

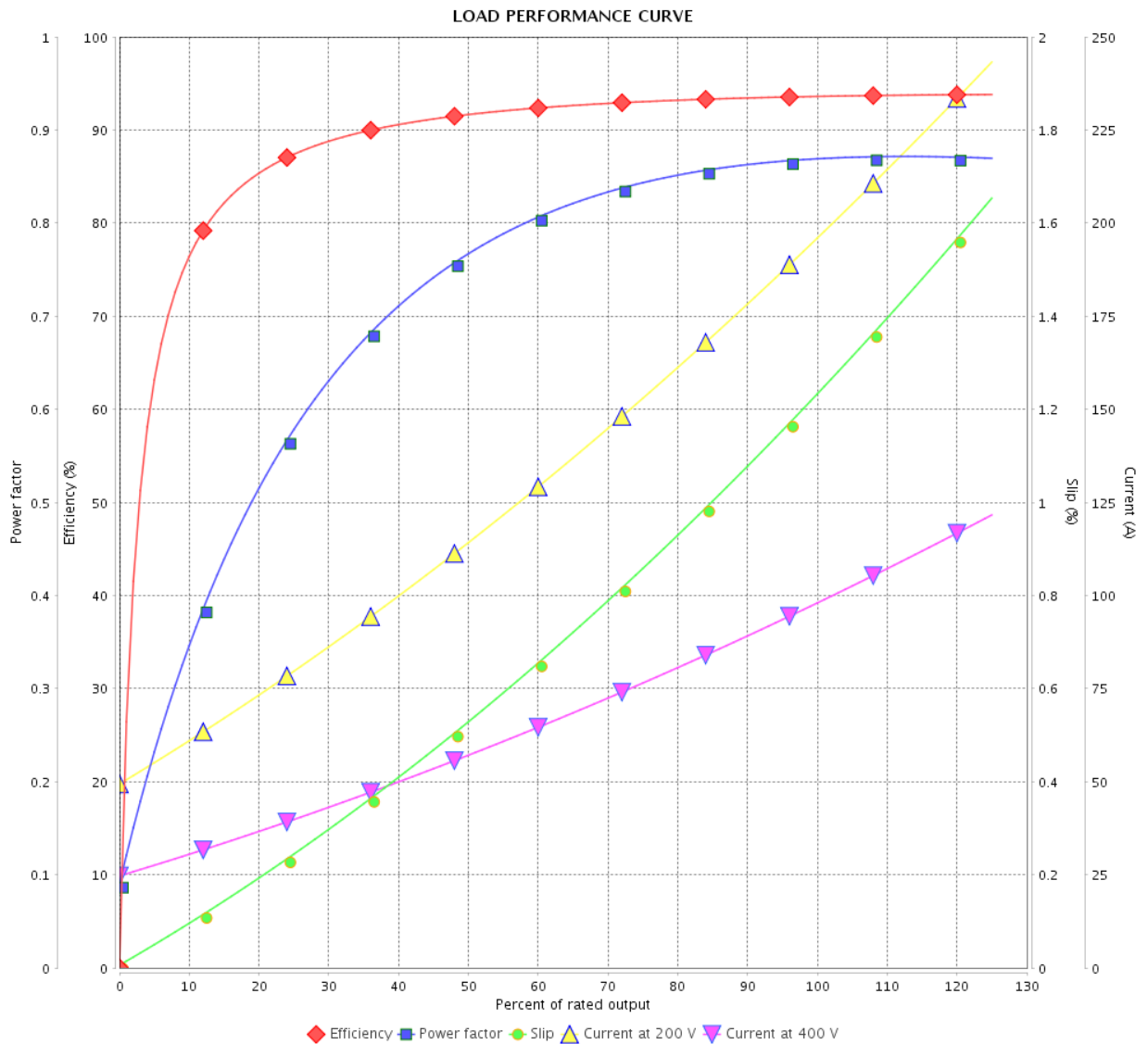


Customer :

Product line : W40 JP Pump NEMA Premium Efficiency Three-Phase

Product code : 14836797

Catalog # : 07536OT3V364JPV-W40



Performance : 200/400 V 60 Hz 2P

Rated current : 195/97.5 A  
 LRC : 6.6  
 Rated torque : 111 ft.lb  
 Locked rotor torque : 200 %  
 Breakdown torque : 250 %  
 Rated speed : 3555 rpm

Moment of inertia (J) : 6.40 sq.ft.lb  
 Duty cycle : Cont.(S1)  
 Insulation class : F  
 Service factor : 1.25  
 Temperature rise : 80 K  
 Design : B

Rev.	Changes Summary	Performed	Checked	Date
Performed by		Page		Revision
Checked by		3 / 6		
Date		13/04/2022		

# THERMAL LIMIT CURVE



## Three Phase Induction Motor - Squirrel Cage

Customer :

Product line : W40 JP Pump NEMA Premium  
Efficiency Three-Phase

Product code : 14836797

Catalog # : 07536OT3V364JPV-W40

Performance : 200/400 V 60 Hz 2P

Rated current : 195/97.5 A  
LRC : 6.6  
Rated torque : 111 ft.lb  
Locked rotor torque : 200 %  
Breakdown torque : 250 %  
Rated speed : 3555 rpm

Moment of inertia (J) : 6.40 sq.ft.lb  
Duty cycle : Cont.(S1)  
Insulation class : F  
Service factor : 1.25  
Temperature rise : 80 K  
Design : B

Heating constant

Cooling constant

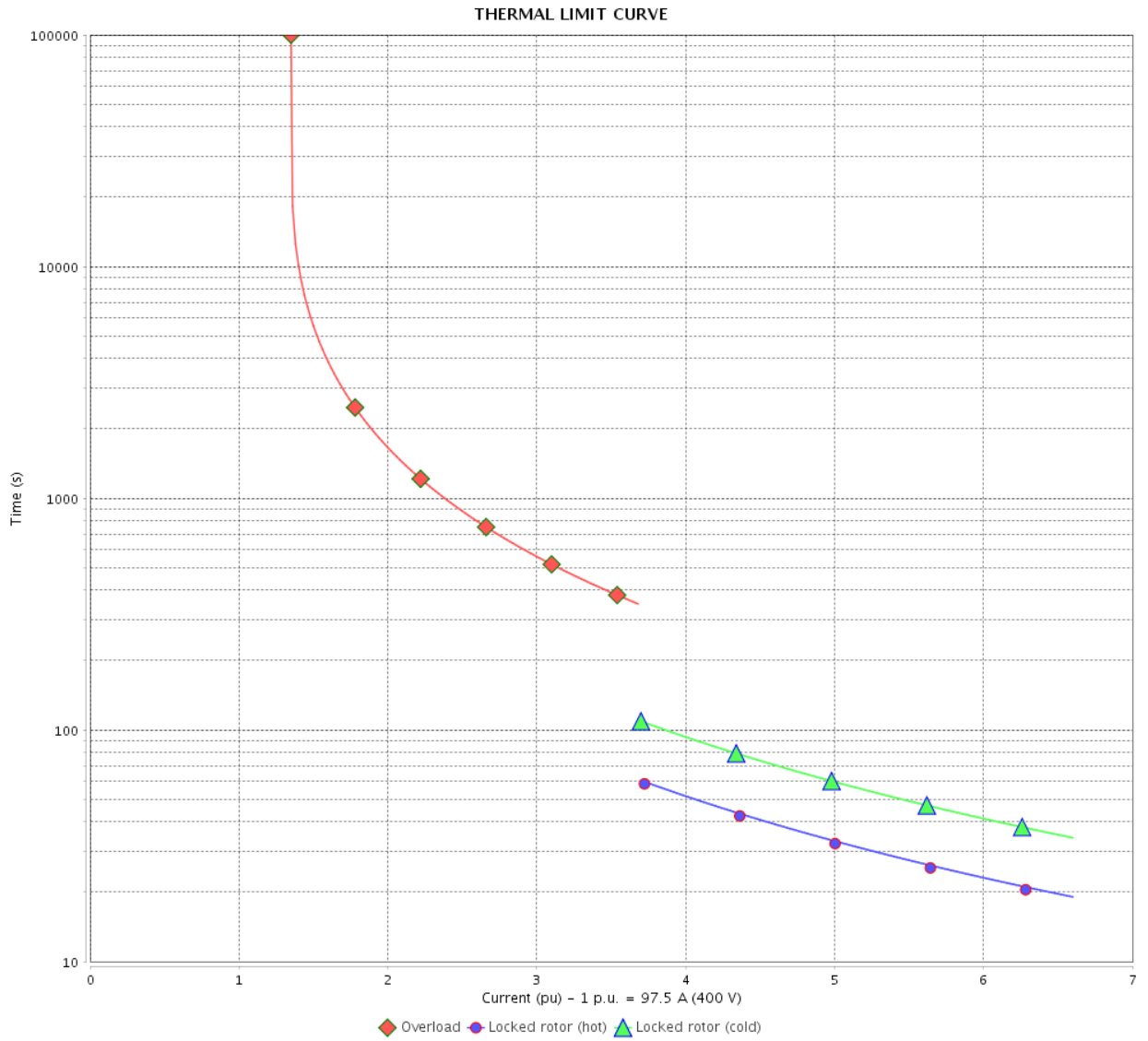
Rev.	Changes Summary	Performed	Checked	Date
Performed by				
Checked by			Page	Revision
Date	13/04/2022		4 / 6	

# THERMAL LIMIT CURVE

Three Phase Induction Motor - Squirrel Cage



Customer : \_\_\_\_\_



Rev.	Changes Summary	Performed	Checked	Date
Performed by		Page		Revision
Checked by				
Date				

# VFD OPERATION CURVE

Three Phase Induction Motor - Squirrel Cage



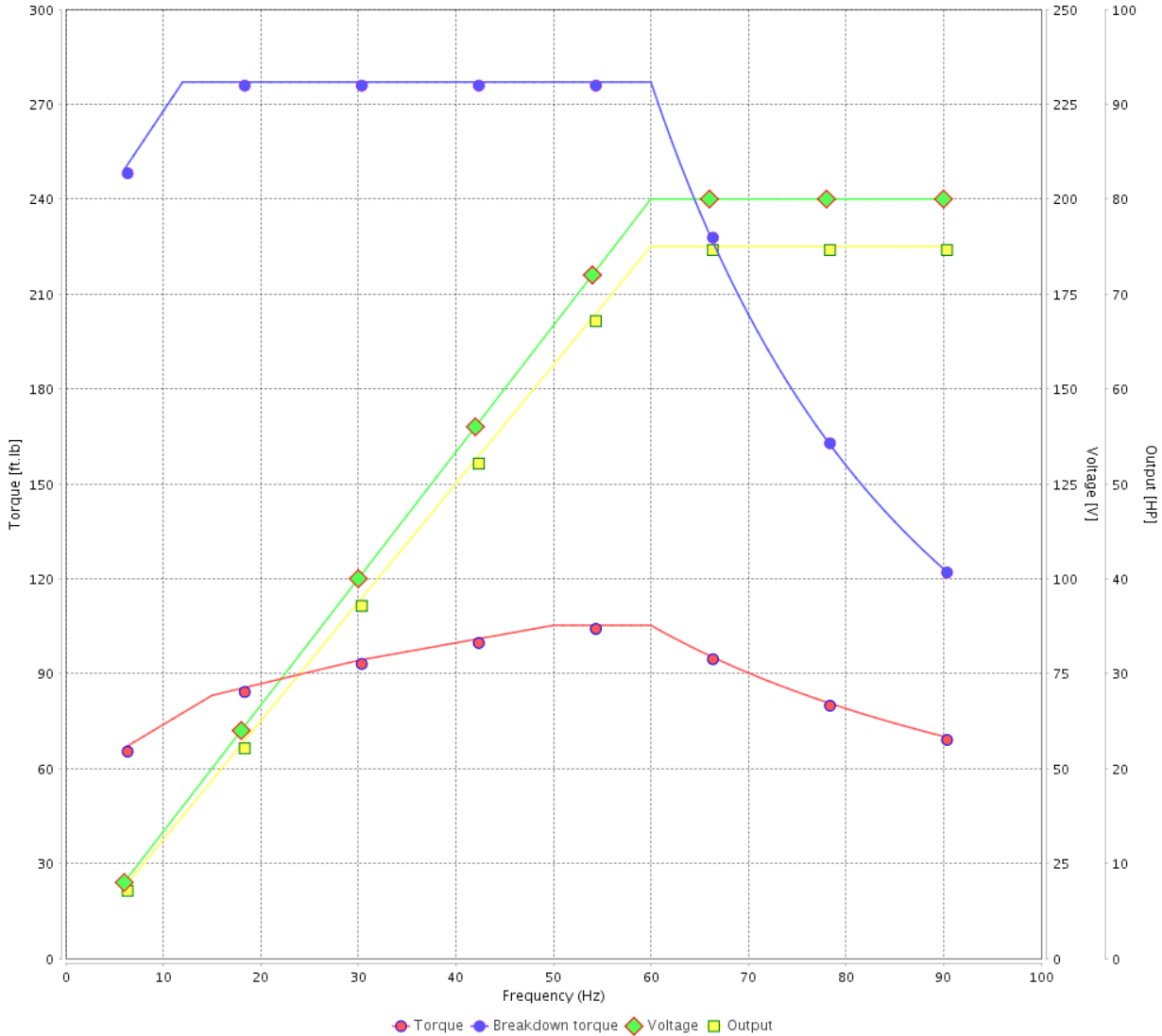
Customer :

Product line : W40 JP Pump NEMA Premium Efficiency Three-Phase

Product code : 14836797

Catalog # : 07536OT3V364JPV-W40

VFD OPERATION CURVE

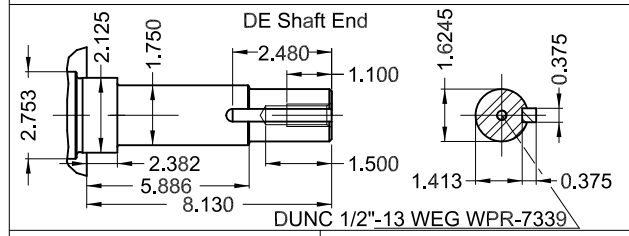
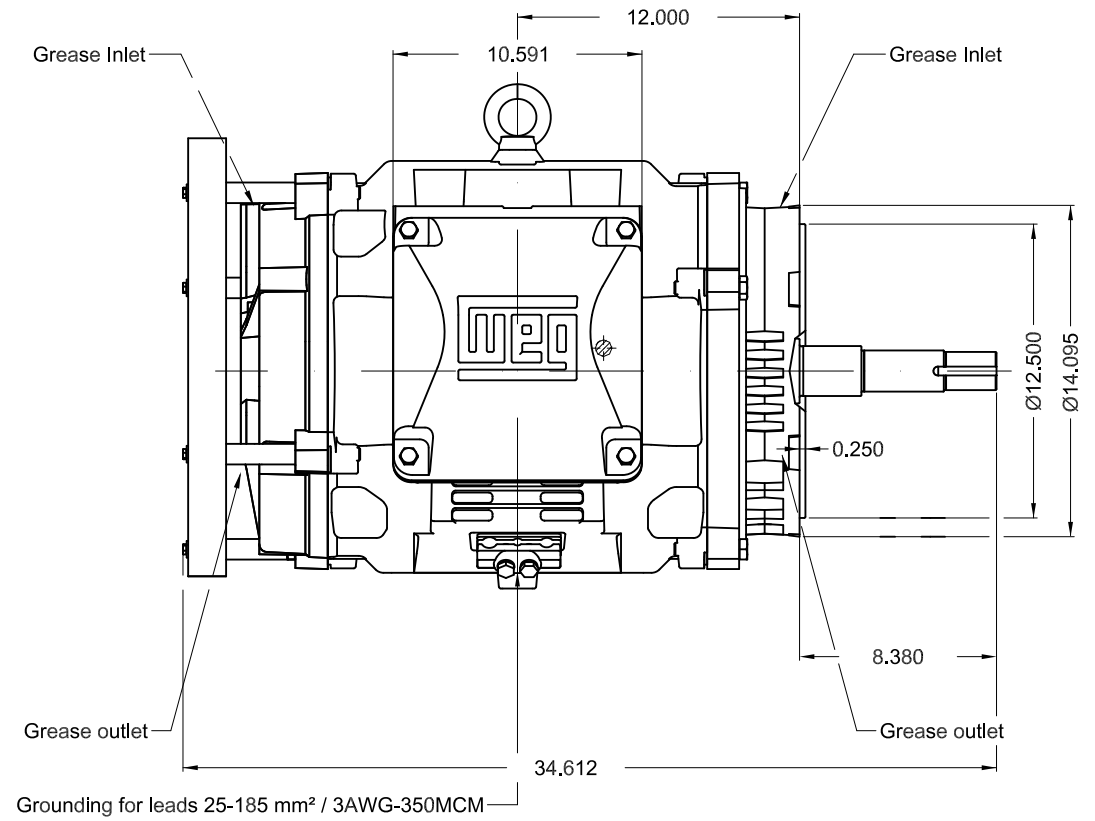
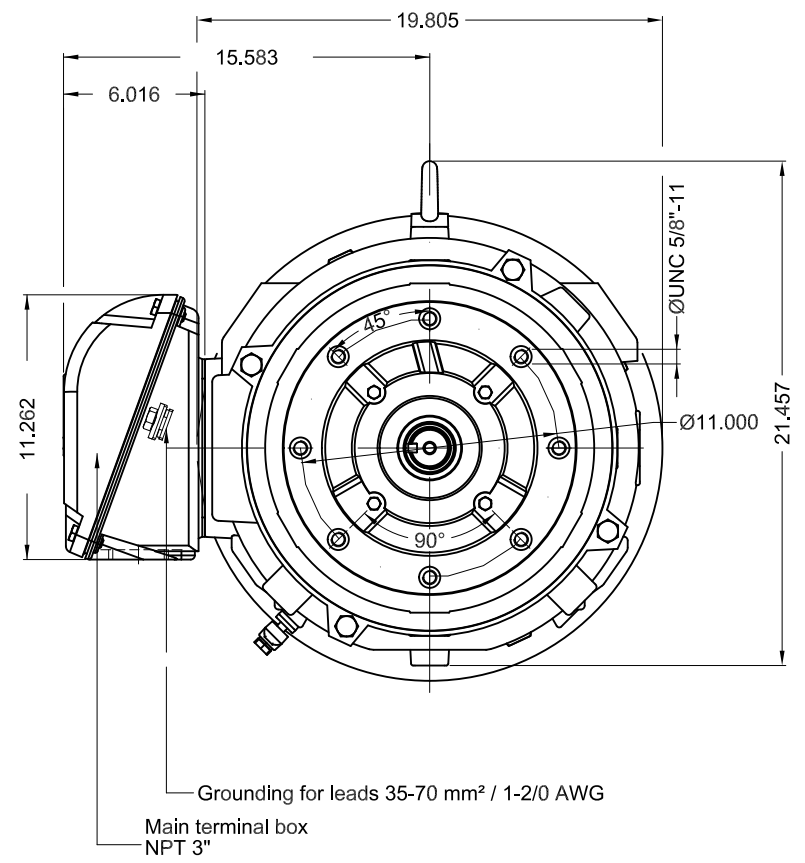


Performance : 200/400 V 60 Hz 2P

Rated current : 195/97.5 A  
 LRC : 6.6  
 Rated torque : 111 ft.lb  
 Locked rotor torque : 200 %  
 Breakdown torque : 250 %  
 Rated speed : 3555 rpm

Moment of inertia (J) : 6.40 sq.ft.lb  
 Duty cycle : Cont.(S1)  
 Insulation class : F  
 Service factor : 1.25  
 Temperature rise : 80 K  
 Design : B

Rev.	Changes Summary	Performed	Checked	Date
Performed by			Page 6 / 6	Revision
Checked by				
Date	13/04/2022			



75 HP 02 Poles 60 Hz A

1:8

ECM	LOC	SUMMARY OF MODIFICATIONS	EXECUTED	CHECKED	RELEASED	DATE	VER
EXECUTED	PIRWBUSER	THREE PH. MOTOR W40 CLOSE COUPLED PUMP JP TYPE PREM. FT.					
CHECKED		FRAME 364/5JP IP23 ODP					
RELEASED							
REL DT.	WMO	Jaragua do Sul	Product Engineering	SHEET	1 / 1		

Color RAL 5009  
Painting plan 203A  
Mounting NEMA W-6  
Mounting V18

PREVIEW  
WDD



MODEL 075360T3V364JPV-W40  
MADE IN BRAZIL  
14836797

**WEG** **W40 NEMA**  
**CC029A Premium**  
Inverter Duty Motor

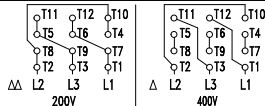


IEC 60034-1  
MOD.T01#FOXON



For use on PWM, VT 1000:1, CT 2:1, 1.0SF

PH 3	FR 364/5JP	HP(kW) 75.0(55.0)		Hz 60
V 200/400		A 195/97.5		IP23
NEMA NOM EFF		93.6	%	RPM 3555
ENCL ODP	DUTY CONT.		INS. CL. F $\Delta$ T 80 K	
PF 0.87		DES B	CODE G	AMB. 40°C
SF 1.25	SFA 244/122		ALT 1000 m.a.s.l.	



→ 6314-C3(27g) MOBIL POLYREX EM  
→ 6212-Z-C3(13g) 7209 h

728 Lbs