

DATA SHEET

Three Phase Induction Motor - Squirrel Cage



Customer :							
Product line	: NEMA Premium Efficiency Three-Phase	Product code :	11576332				
		Catalog # :	10018ET3E405JM-W22				
Frame	: 404/5TCZ	Cooling method	: IC411 - TEFC				
Insulation class	: F	Mounting	: F-1				
Duty cycle	: Cont.(S1)	Rotation ¹	: Both (CW and CCW)				
Ambient temperature	: -20°C to +40°C	Starting method	: Direct On Line				
Altitude	: 1000 m.a.s.l.	Approx. weight ²	: 1215 lb				
Protection degree	: IP55	Moment of inertia (J)	: 29.9 sq.ft.lb				
Design	: B						
Output [HP]	100	75	75	75	100	100	100
Poles	4	4	4	4	4	4	4
Frequency [Hz]	60	50	50	50	50	50	50
Rated voltage [V]	230/460	380	400	415	380	400	415
Rated current [A]	226/113	102	98.3	95.9	138	131	127
L. R. Amperes [A]	1650/825	785	826	854	814	852	902
LRC [A]	7.3x(Code H)	7.7x(Code H)	8.4x(Code J)	8.9x(Code K)	5.9x(Code F)	6.5x(Code G)	7.1x(Code H)
No load current [A]	76.0/38.0	37.6	40.1	42.0	37.6	40.1	42.0
Rated speed [RPM]	1780	1485	1485	1485	1470	1475	1475
Slip [%]	1.11	1.00	1.00	1.00	2.00	1.67	1.67
Rated torque [ft.lb]	295	265	265	265	357	356	356
Locked rotor torque [%]	240	260	280	290	190	210	220
Breakdown torque [%]	260	280	310	330	210	229	250
Service factor	1.25	1.00	1.00	1.00	1.00	1.00	1.00
Temperature rise	80 K	80 K	80 K	80 K	105 K	105 K	105 K
Locked rotor time	23s (cold) 13s (hot)	16s (cold) 9s (hot)	16s (cold) 9s (hot)	16s (cold) 9s (hot)	16s (cold) 9s (hot)	16s (cold) 9s (hot)	16s (cold) 9s (hot)
Noise level ²	68.0 dB(A)	64.0 dB(A)	64.0 dB(A)	64.0 dB(A)	64.0 dB(A)	64.0 dB(A)	64.0 dB(A)
Efficiency (%)	25%	94.6	93.4	93.3	93.0	94.8	94.4
	50%	95.0	94.0	93.9	93.6	94.5	94.5
	75%	95.0	94.4	94.5	94.5	94.1	94.5
	100%	95.4	95.0	95.0	95.0	93.6	94.1
Power Factor	25%	0.51	0.47	0.44	0.41	0.57	0.51
	50%	0.77	0.72	0.69	0.66	0.82	0.79
	75%	0.84	0.83	0.81	0.79	0.86	0.85
	100%	0.87	0.86	0.85	0.84	0.88	0.87
Bearing type	: Drive end 6316 C3	Non drive end 6314 C3	Foundation loads				
Sealing	: Oil Seal	Oil Seal	Max. traction : 2064 lb				
Lubrication interval	: 10000 h	12000 h	Max. compression : 3279 lb				
Lubricant amount	: 34 g	27 g					
Lubricant type	: Mobil Polyrex EM						
Notes USABLE @208V 245A SF 1.10 SFA 270A							
This revision replaces and cancel the previous one, which must be eliminated. (1) Looking the motor from the shaft end. (2) Measured at 1m and with tolerance of +3dB(A). (3) Approximate weight subject to changes after manufacturing process. (4) At 100% of full load.				These are average values based on tests with sinusoidal power supply, subject to the tolerances stipulated in NEMA MG-1.			
Rev.	Changes Summary			Performed	Checked	Date	
Performed by							
Checked by					Page	Revision	
Date	14/04/2022				1 / 36		

TORQUE AND CURRENT VS SPEED CURVE

Three Phase Induction Motor - Squirrel Cage



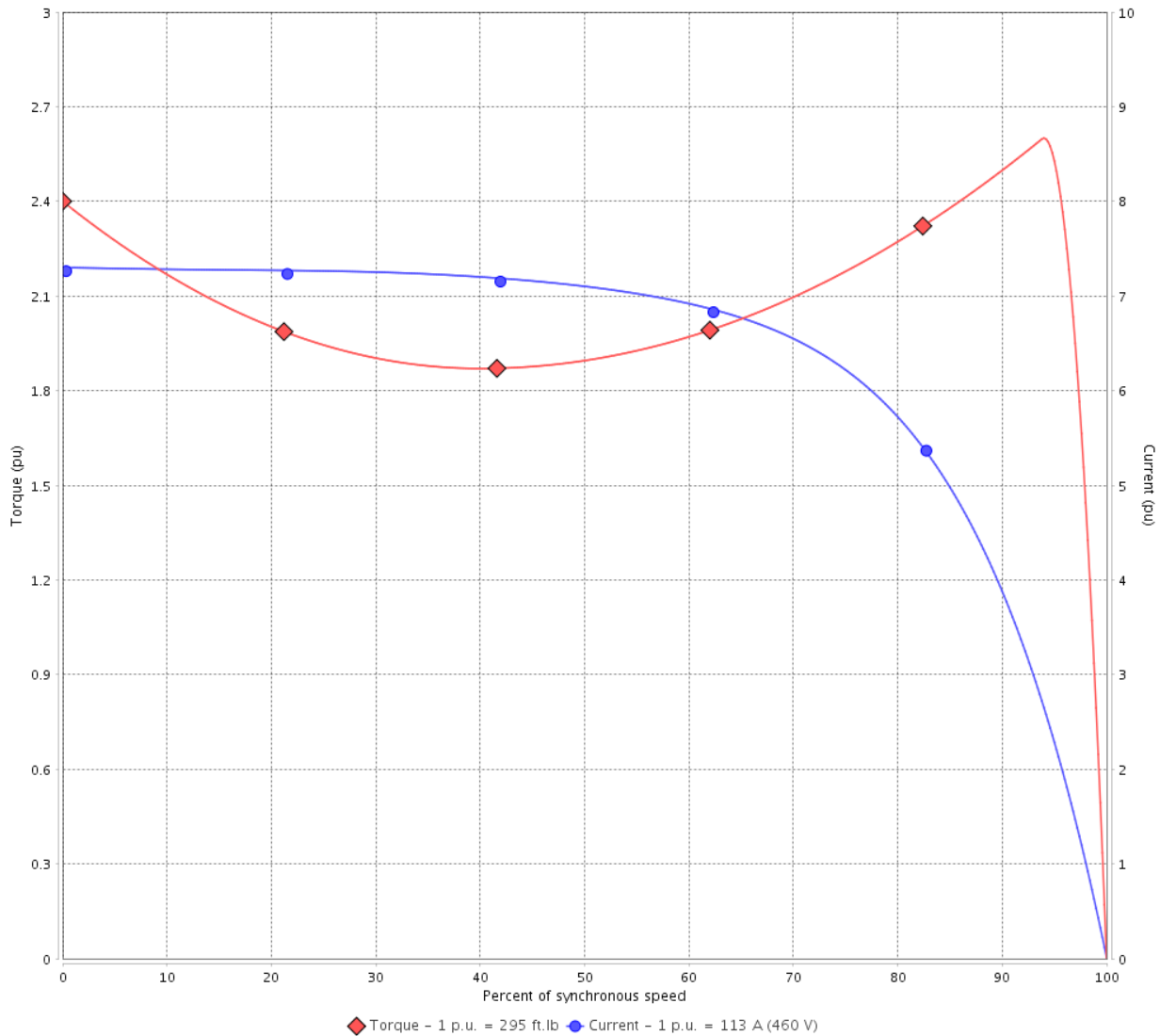
Customer :

Product line : NEMA Premium Efficiency Three-Phase

Product code : 11576332

Catalog # : 10018ET3E405JM-W22

TORQUE AND CURRENT VS SPEED CURVE



Performance : 230/460 V 60 Hz 4P

Rated current	: 226/113 A	Moment of inertia (J)	: 29.9 sq.ft.lb
LRC	: 7.3	Duty cycle	: Cont.(S1)
Rated torque	: 295 ft.lb	Insulation class	: F
Locked rotor torque	: 240 %	Service factor	: 1.25
Breakdown torque	: 260 %	Temperature rise	: 80 K
Rated speed	: 1780 rpm	Design	: B

Locked rotor time : 23s (cold) 13s (hot)

Rev.	Changes Summary	Performed	Checked	Date
Performed by			Page 2 / 36	Revision
Checked by				
Date	14/04/2022			

TORQUE AND CURRENT VS SPEED CURVE



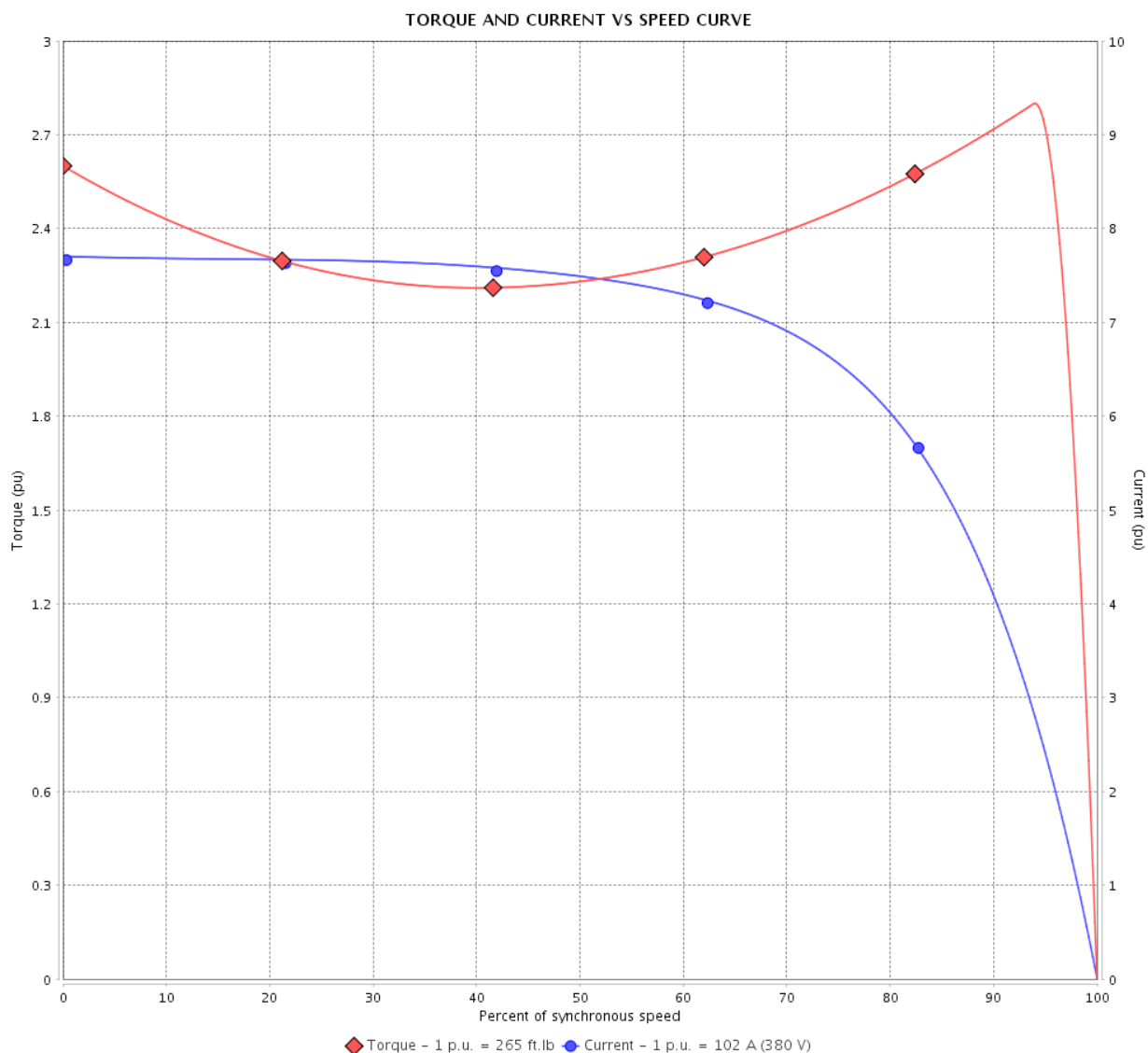
Three Phase Induction Motor - Squirrel Cage

Customer :

Product line : NEMA Premium Efficiency Three-Phase

Product code : 11576332

Catalog # : 10018ET3E405JM-W22



Performance : 380 V 50 Hz 4P IE3

Rated current	: 102 A	Moment of inertia (J)	: 29.9 sq.ft.lb
LRC	: 7.7	Duty cycle	: Cont.(S1)
Rated torque	: 265 ft.lb	Insulation class	: F
Locked rotor torque	: 260 %	Service factor	: 1.00
Breakdown torque	: 280 %	Temperature rise	: 80 K
Rated speed	: 1485 rpm	Design	: B

Locked rotor time : 16s (cold) 9s (hot)

Rev.	Changes Summary	Performed	Checked	Date
Performed by			Page 3 / 36	Revision
Checked by				
Date	14/04/2022			

TORQUE AND CURRENT VS SPEED CURVE

Three Phase Induction Motor - Squirrel Cage



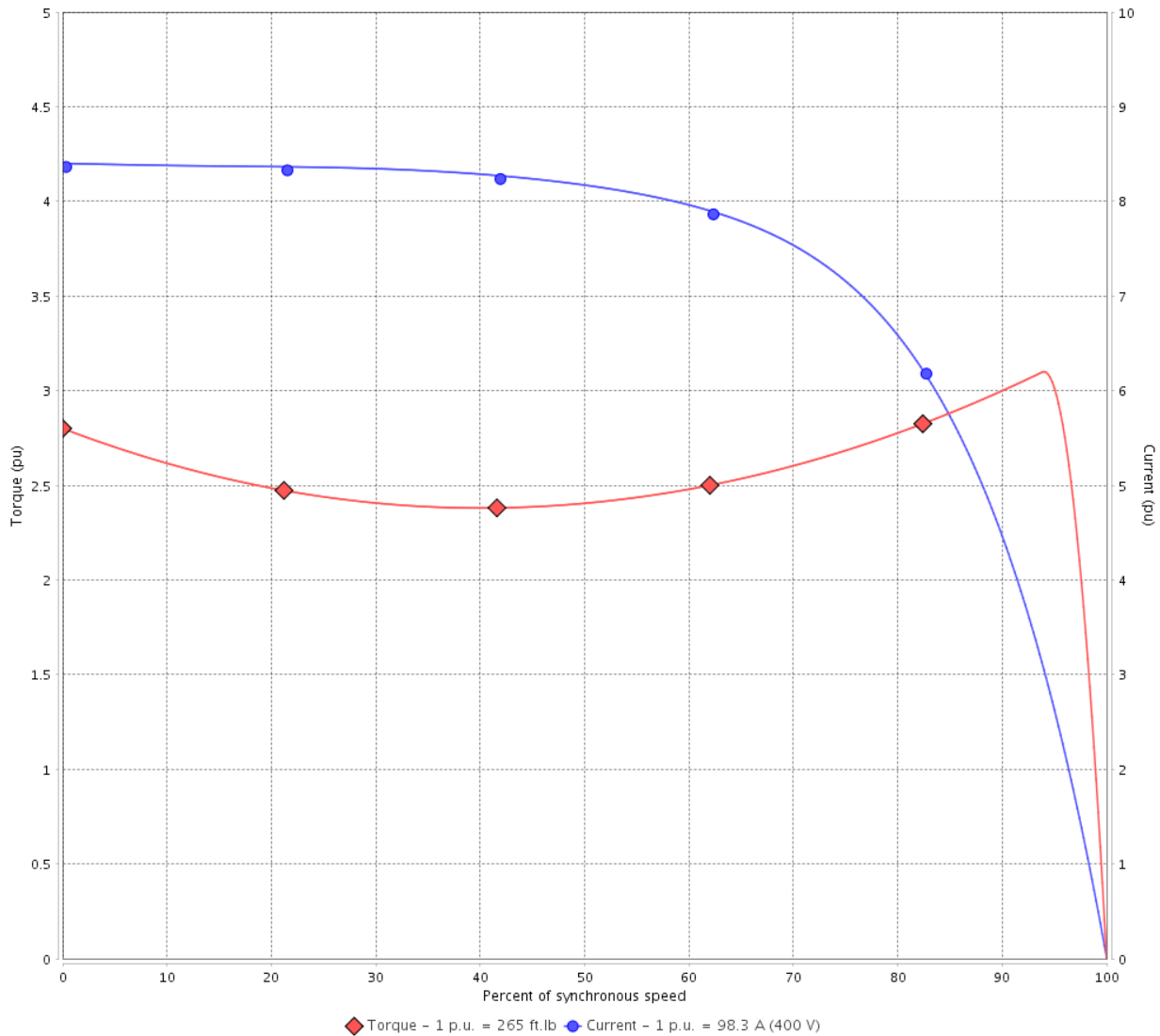
Customer :

Product line : NEMA Premium Efficiency Three-Phase

Product code : 11576332

Catalog # : 10018ET3E405JM-W22

TORQUE AND CURRENT VS SPEED CURVE



Performance : 400 V 50 Hz 4P IE3

Rated current	: 98.3 A	Moment of inertia (J)	: 29.9 sq.ft.lb
LRC	: 8.4	Duty cycle	: Cont.(S1)
Rated torque	: 265 ft.lb	Insulation class	: F
Locked rotor torque	: 280 %	Service factor	: 1.00
Breakdown torque	: 310 %	Temperature rise	: 80 K
Rated speed	: 1485 rpm	Design	: B

Locked rotor time : 16s (cold) 9s (hot)

Rev.	Changes Summary	Performed	Checked	Date
Performed by			Page 4 / 36	Revision
Checked by				
Date	14/04/2022			

TORQUE AND CURRENT VS SPEED CURVE



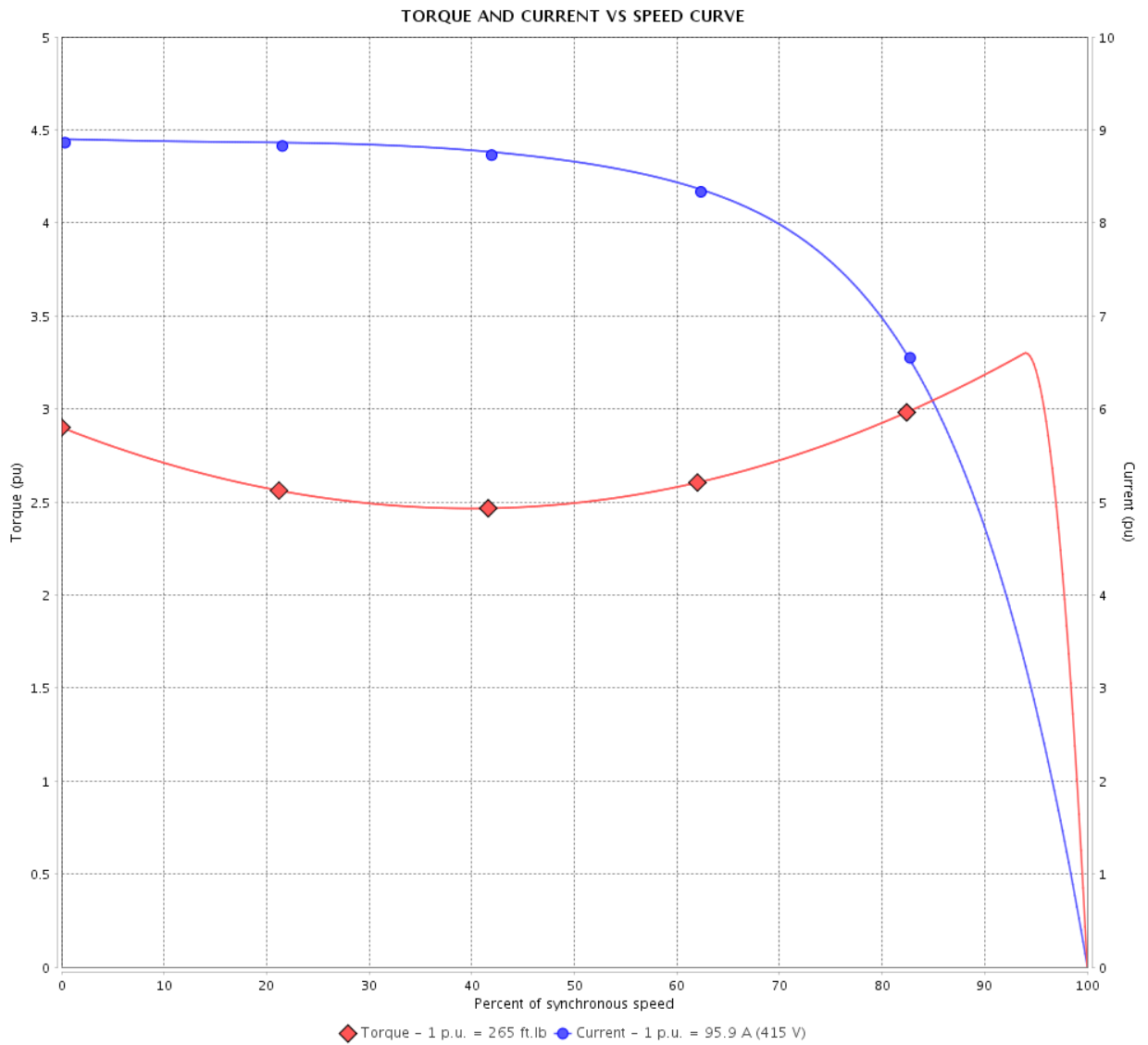
Three Phase Induction Motor - Squirrel Cage

Customer :

Product line : NEMA Premium Efficiency Three-Phase

Product code : 11576332

Catalog # : 10018ET3E405JM-W22



Performance : 415 V 50 Hz 4P IE3

Rated current	: 95.9 A	Moment of inertia (J)	: 29.9 sq.ft.lb
LRC	: 8.9	Duty cycle	: Cont.(S1)
Rated torque	: 265 ft.lb	Insulation class	: F
Locked rotor torque	: 290 %	Service factor	: 1.00
Breakdown torque	: 330 %	Temperature rise	: 80 K
Rated speed	: 1485 rpm	Design	: B

Locked rotor time : 16s (cold) 9s (hot)

Rev.	Changes Summary	Performed	Checked	Date
Performed by			Page 5 / 36	Revision
Checked by				
Date	14/04/2022			

TORQUE AND CURRENT VS SPEED CURVE

Three Phase Induction Motor - Squirrel Cage



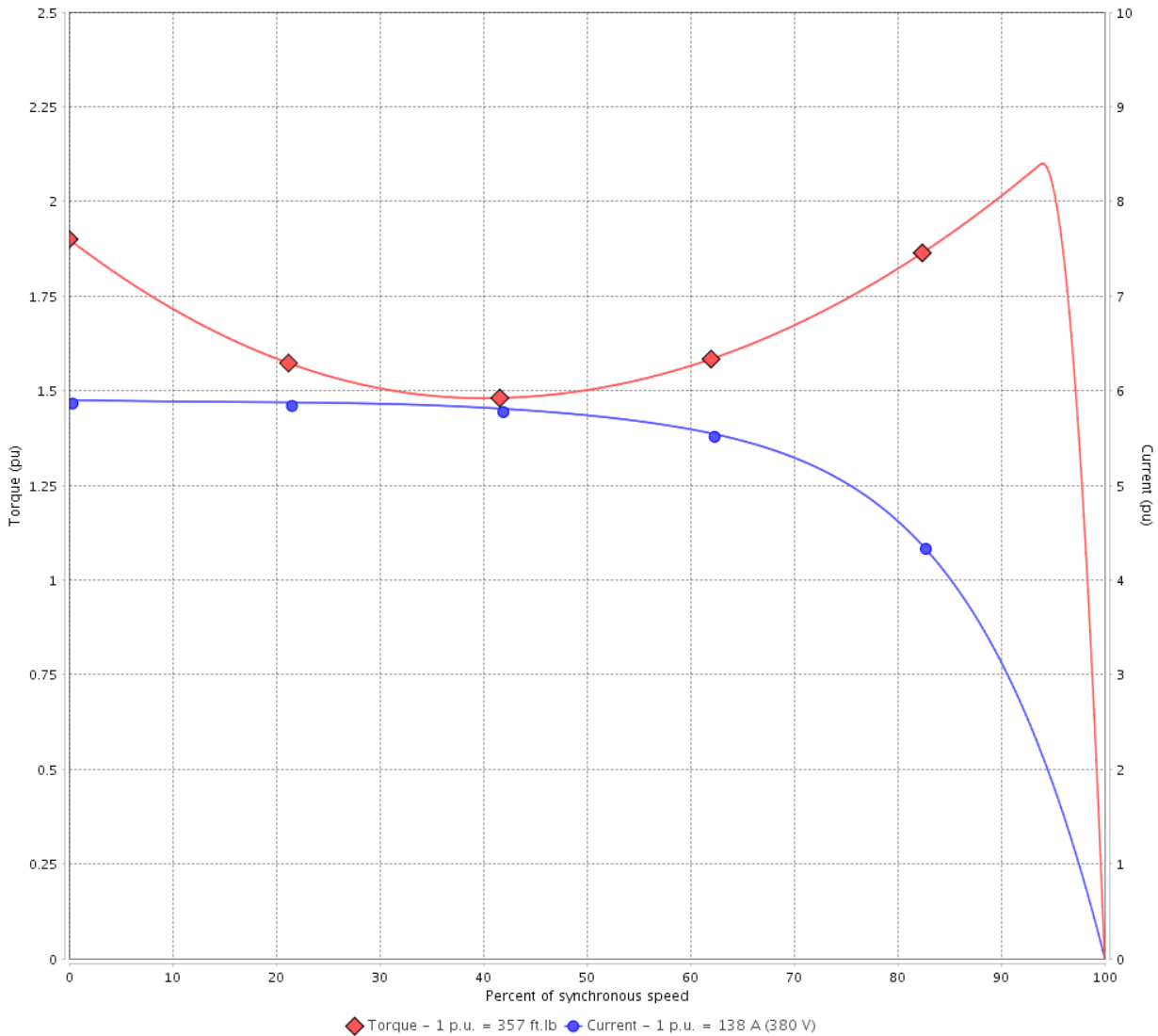
Customer :

Product line : NEMA Premium Efficiency Three-Phase

Product code : 11576332

Catalog # : 10018ET3E405JM-W22

TORQUE AND CURRENT VS SPEED CURVE



Performance : 380 V 50 Hz 4P IE1

Rated current	: 138 A	Moment of inertia (J)	: 29.9 sq.ft.lb
LRC	: 5.9	Duty cycle	: Cont.(S1)
Rated torque	: 357 ft.lb	Insulation class	: F
Locked rotor torque	: 190 %	Service factor	: 1.00
Breakdown torque	: 210 %	Temperature rise	: 105 K
Rated speed	: 1470 rpm	Design	: B

Locked rotor time : 16s (cold) 9s (hot)

Rev.	Changes Summary	Performed	Checked	Date
Performed by			Page 6 / 36	Revision
Checked by				
Date	14/04/2022			

TORQUE AND CURRENT VS SPEED CURVE



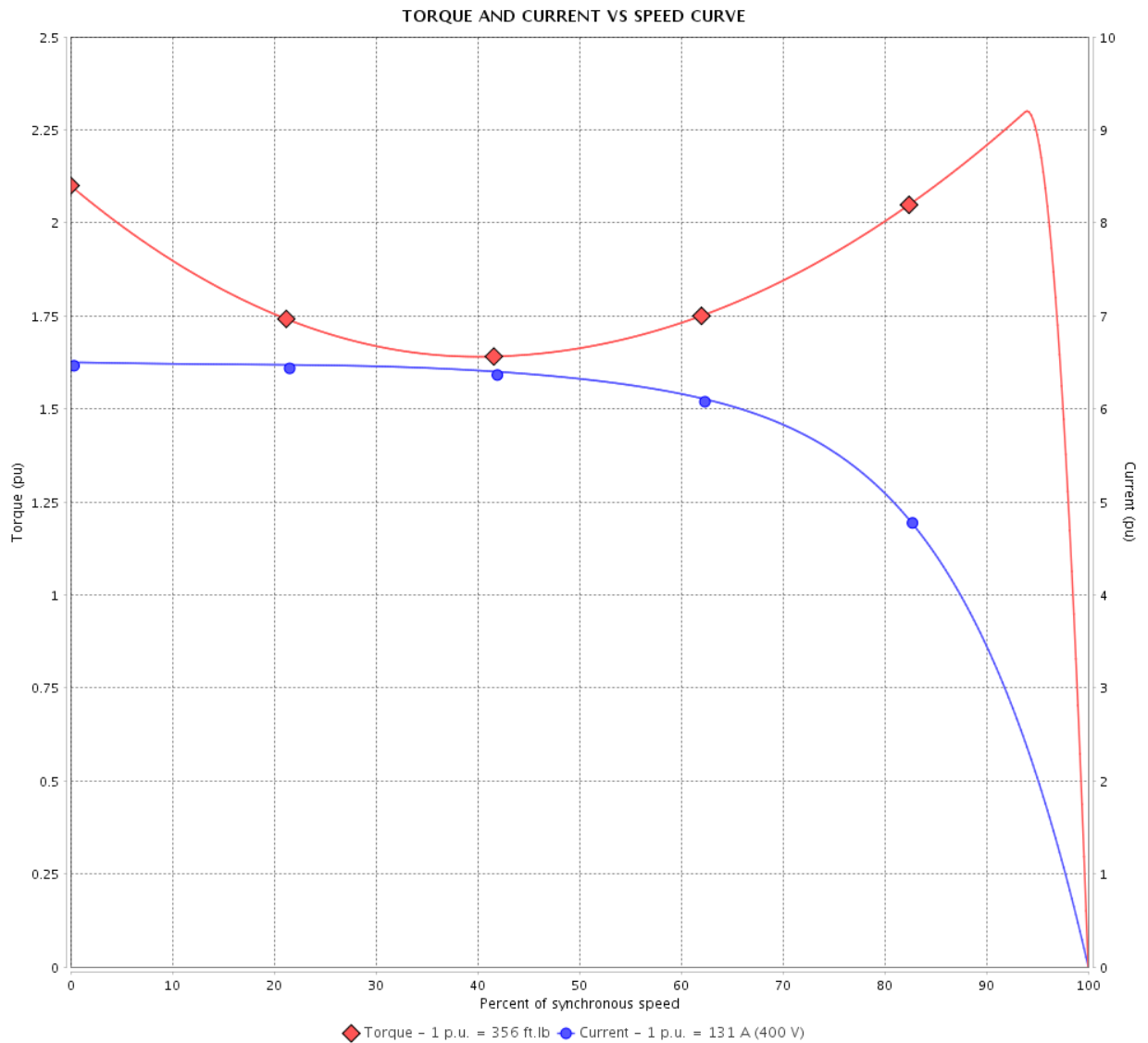
Three Phase Induction Motor - Squirrel Cage

Customer :

Product line : NEMA Premium Efficiency Three-Phase

Product code : 11576332

Catalog # : 10018ET3E405JM-W22



Performance : 400 V 50 Hz 4P IE2

Rated current	: 131 A	Moment of inertia (J)	: 29.9 sq.ft.lb
LRC	: 6.5	Duty cycle	: Cont.(S1)
Rated torque	: 356 ft.lb	Insulation class	: F
Locked rotor torque	: 210 %	Service factor	: 1.00
Breakdown torque	: 229 %	Temperature rise	: 105 K
Rated speed	: 1475 rpm	Design	: B

Locked rotor time : 16s (cold) 9s (hot)

Rev.	Changes Summary	Performed	Checked	Date
Performed by			Page 7 / 36	Revision
Checked by				
Date	14/04/2022			

TORQUE AND CURRENT VS SPEED CURVE

Three Phase Induction Motor - Squirrel Cage



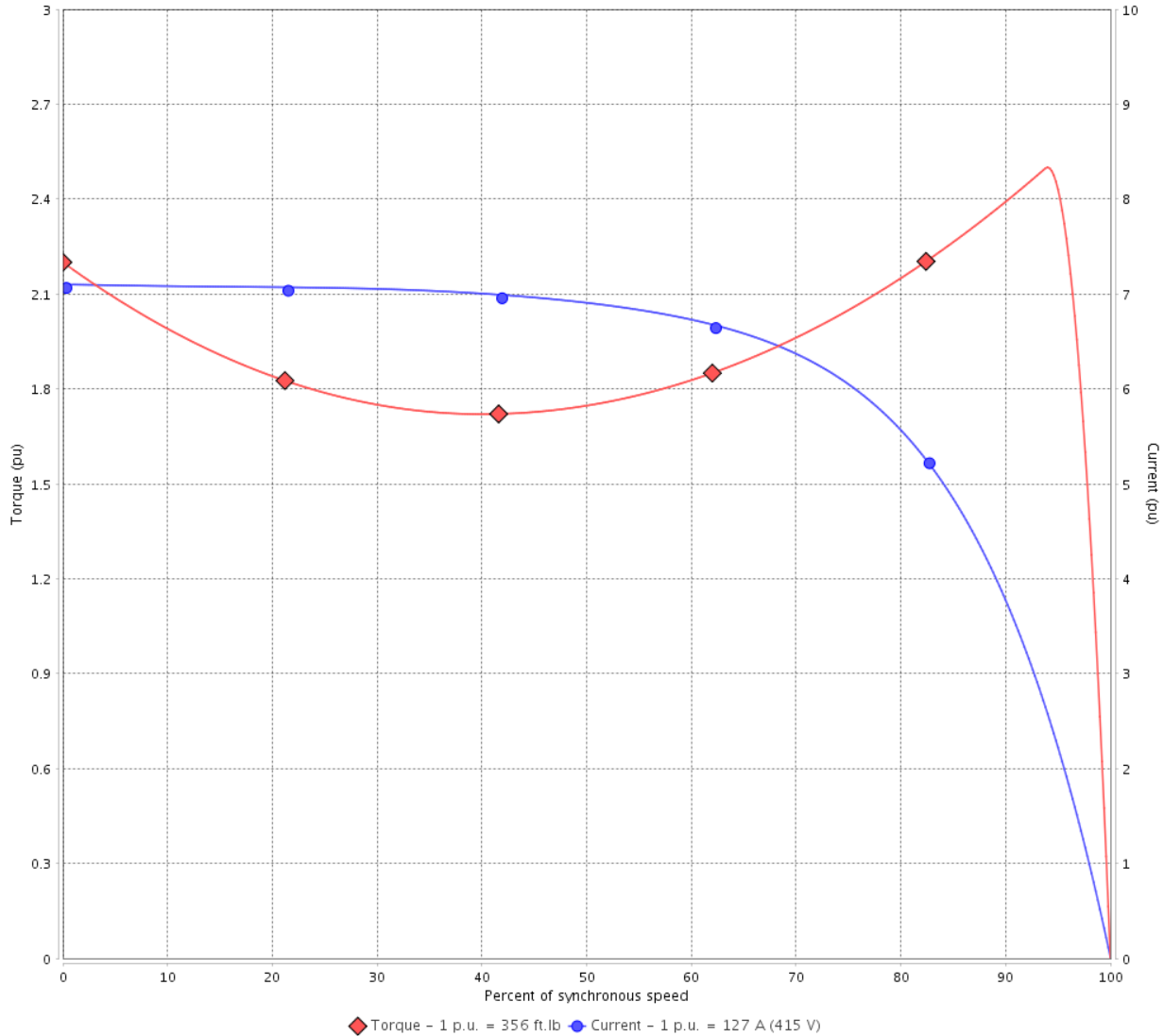
Customer :

Product line : NEMA Premium Efficiency Three-Phase

Product code : 11576332

Catalog # : 10018ET3E405JM-W22

TORQUE AND CURRENT VS SPEED CURVE



Performance : 415 V 50 Hz 4P IE2

Rated current	: 127 A	Moment of inertia (J)	: 29.9 sq.ft.lb
LRC	: 7.1	Duty cycle	: Cont.(S1)
Rated torque	: 356 ft.lb	Insulation class	: F
Locked rotor torque	: 220 %	Service factor	: 1.00
Breakdown torque	: 250 %	Temperature rise	: 105 K
Rated speed	: 1475 rpm	Design	: B

Locked rotor time : 16s (cold) 9s (hot)

Rev.	Changes Summary	Performed	Checked	Date
Performed by			Page 8 / 36	Revision
Checked by				
Date	14/04/2022			

LOAD PERFORMANCE CURVE

Three Phase Induction Motor - Squirrel Cage

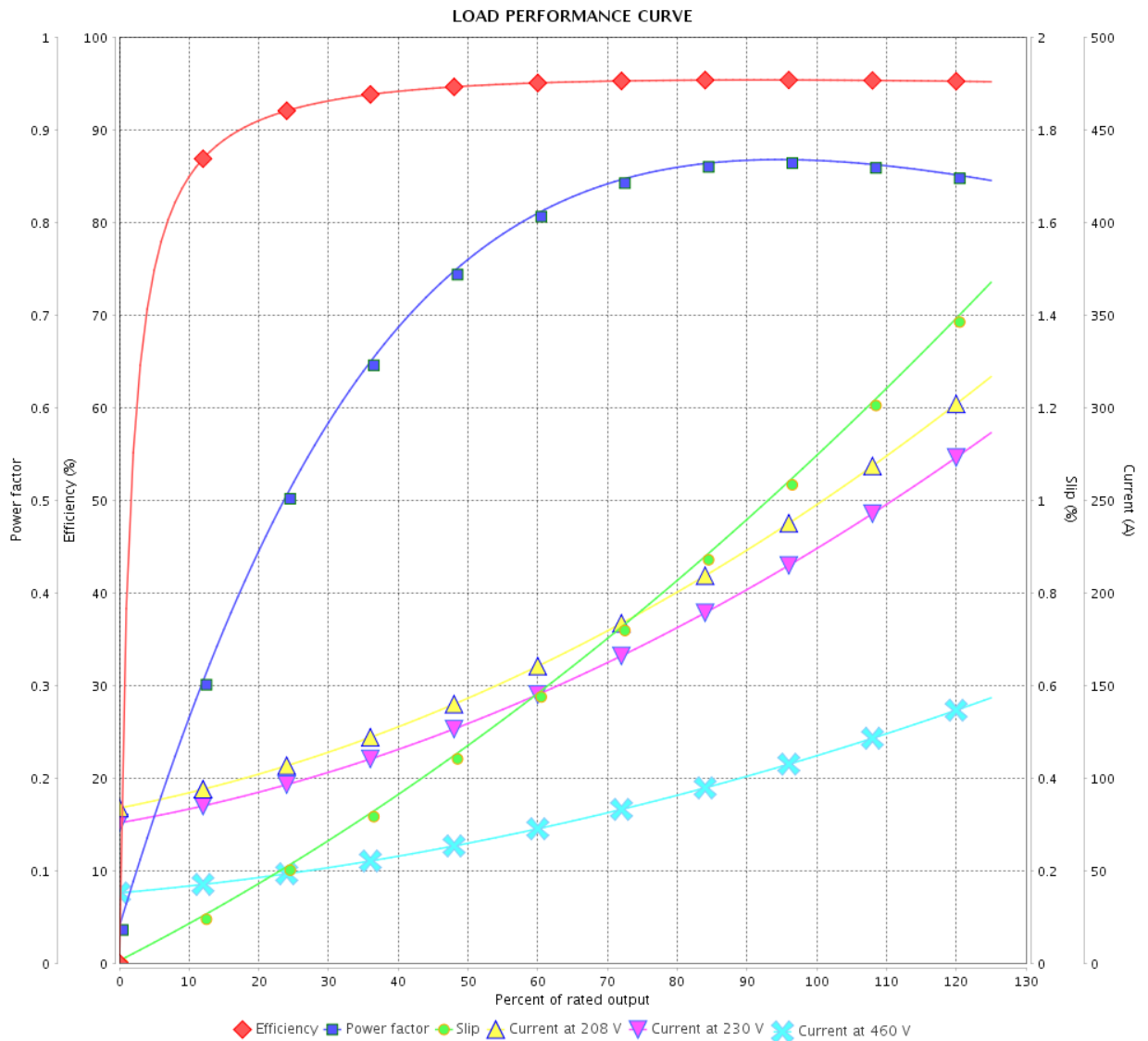


Customer :

Product line : NEMA Premium Efficiency Three-Phase

Product code : 11576332

Catalog # : 10018ET3E405JM-W22



Performance : 230/460 V 60 Hz 4P

Rated current : 226/113 A
 LRC : 7.3
 Rated torque : 295 ft.lb
 Locked rotor torque : 240 %
 Breakdown torque : 260 %
 Rated speed : 1780 rpm

Moment of inertia (J) : 29.9 sq.ft.lb
 Duty cycle : Cont.(S1)
 Insulation class : F
 Service factor : 1.25
 Temperature rise : 80 K
 Design : B

Rev.	Changes Summary	Performed	Checked	Date
Performed by			Page	Revision
Checked by			9 / 36	
Date	14/04/2022			

LOAD PERFORMANCE CURVE

Three Phase Induction Motor - Squirrel Cage

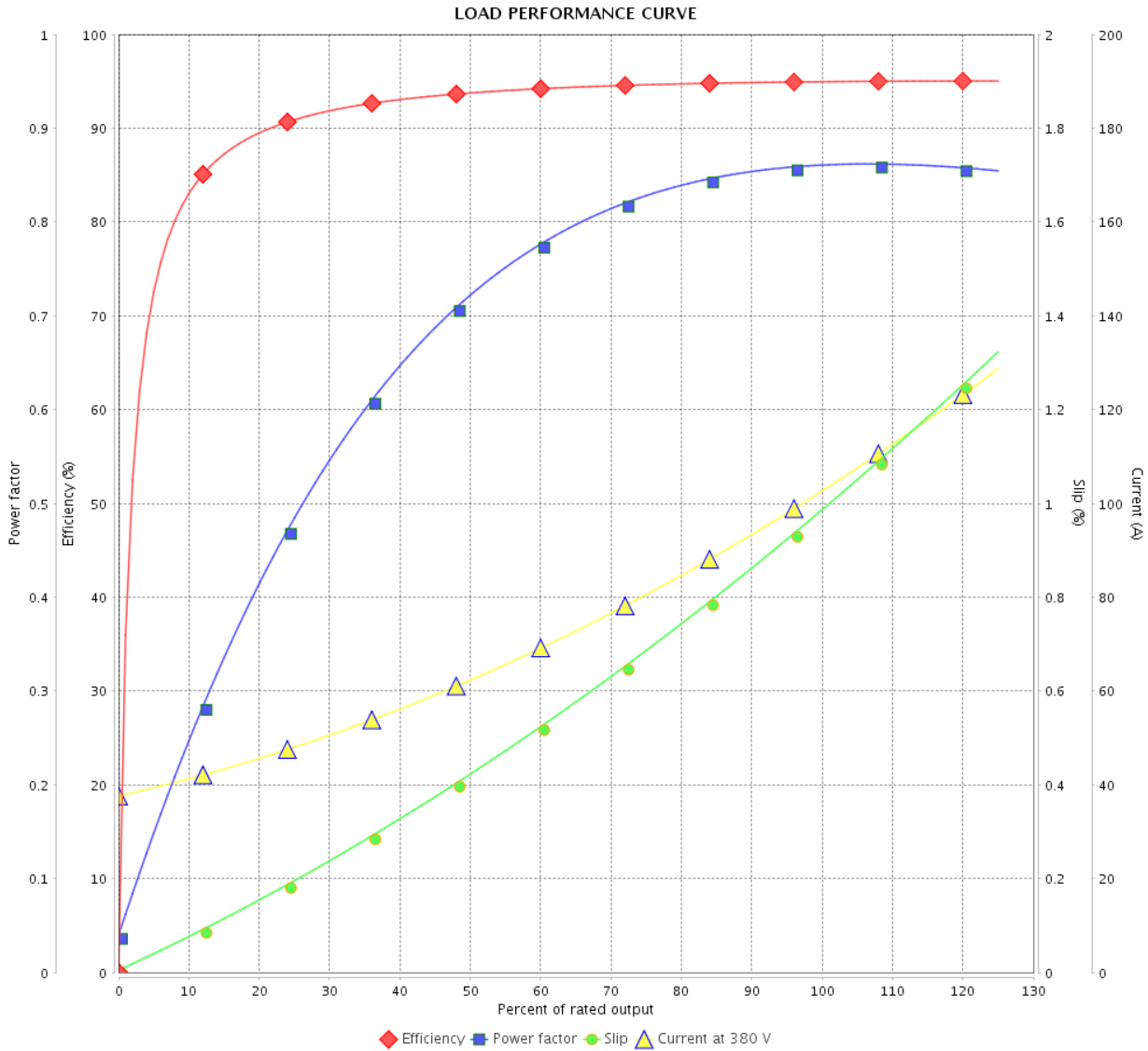


Customer : _____

Product line : NEMA Premium Efficiency Three-Phase

Product code : 11576332

Catalog # : 10018ET3E405JM-W22



Performance : 380 V 50 Hz 4P IE3

Rated current : 102 A
 LRC : 7.7
 Rated torque : 265 ft.lb
 Locked rotor torque : 260 %
 Breakdown torque : 280 %
 Rated speed : 1485 rpm

Moment of inertia (J) : 29.9 sq.ft.lb
 Duty cycle : Cont.(S1)
 Insulation class : F
 Service factor : 1.00
 Temperature rise : 80 K
 Design : B

Rev.	Changes Summary	Performed	Checked	Date
Performed by		Page		Revision
Checked by		10 / 36		
Date	14/04/2022			

LOAD PERFORMANCE CURVE

Three Phase Induction Motor - Squirrel Cage

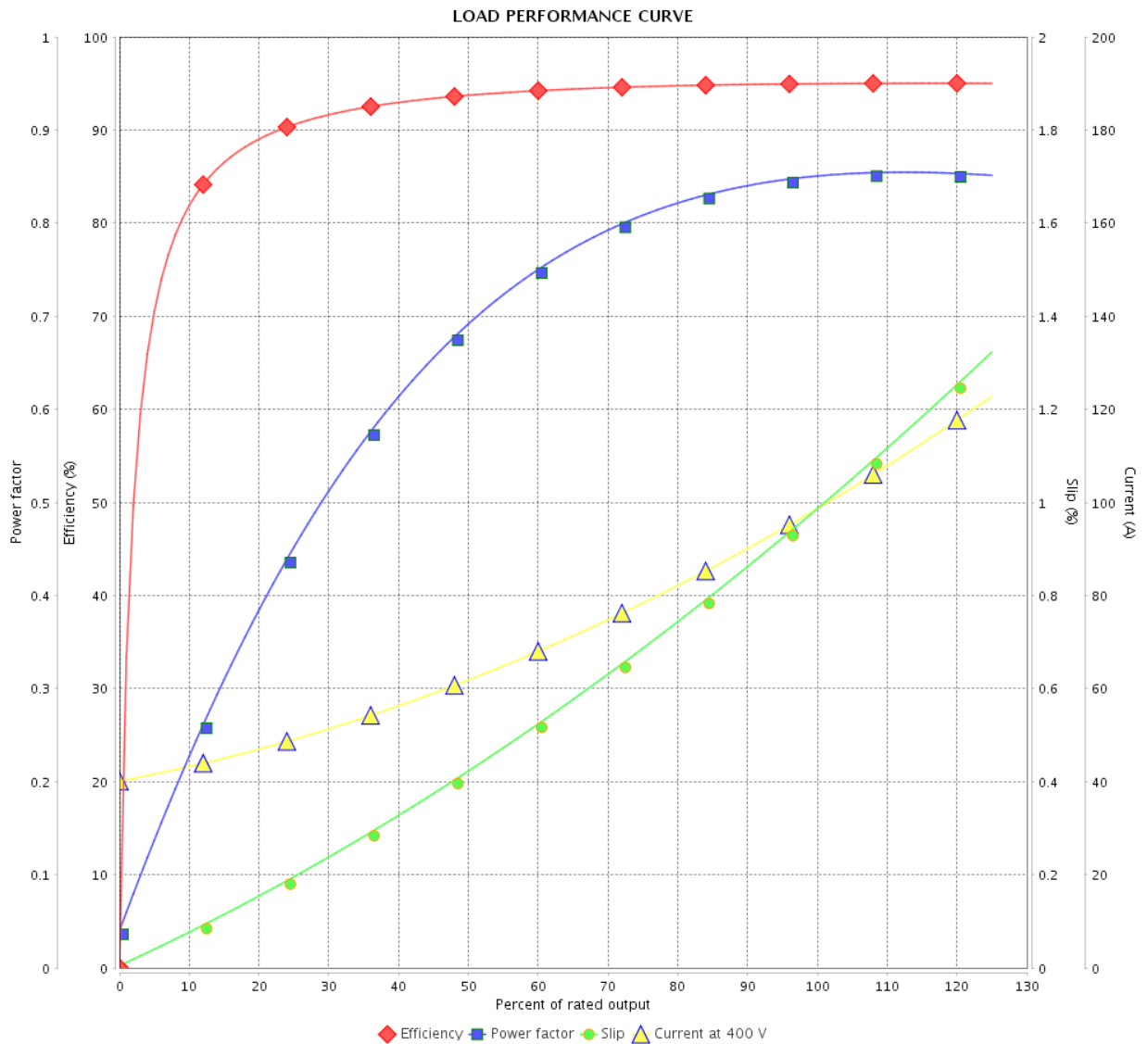


Customer : _____

Product line : NEMA Premium Efficiency Three-Phase

Product code : 11576332

Catalog # : 10018ET3E405JM-W22



Performance : 400 V 50 Hz 4P IE3

Rated current : 98.3 A
 LRC : 8.4
 Rated torque : 265 ft.lb
 Locked rotor torque : 280 %
 Breakdown torque : 310 %
 Rated speed : 1485 rpm

Moment of inertia (J) : 29.9 sq.ft.lb
 Duty cycle : Cont.(S1)
 Insulation class : F
 Service factor : 1.00
 Temperature rise : 80 K
 Design : B

Rev.	Changes Summary	Performed	Checked	Date
Performed by		Page		Revision
Checked by		11 / 36		
Date		14/04/2022		

LOAD PERFORMANCE CURVE

Three Phase Induction Motor - Squirrel Cage



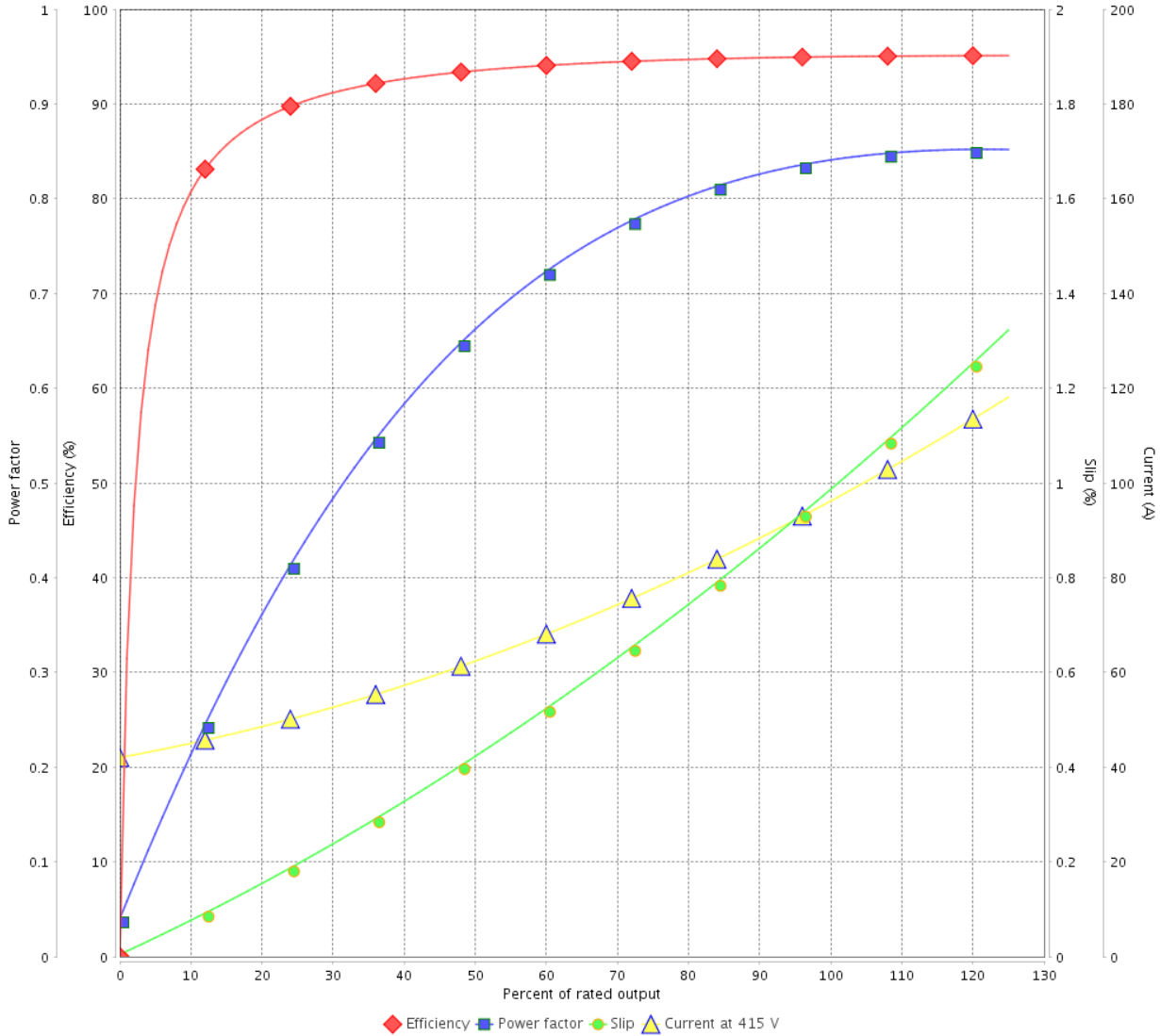
Customer :

Product line : NEMA Premium Efficiency Three-Phase

Product code : 11576332

Catalog # : 10018ET3E405JM-W22

LOAD PERFORMANCE CURVE



Performance : 415 V 50 Hz 4P IE3

Rated current	: 95.9 A	Moment of inertia (J)	: 29.9 sq.ft.lb
LRC	: 8.9	Duty cycle	: Cont.(S1)
Rated torque	: 265 ft.lb	Insulation class	: F
Locked rotor torque	: 290 %	Service factor	: 1.00
Breakdown torque	: 330 %	Temperature rise	: 80 K
Rated speed	: 1485 rpm	Design	: B

Rev.	Changes Summary	Performed	Checked	Date
Performed by		Page		Revision
Checked by		12 / 36		
Date	14/04/2022			

LOAD PERFORMANCE CURVE

Three Phase Induction Motor - Squirrel Cage

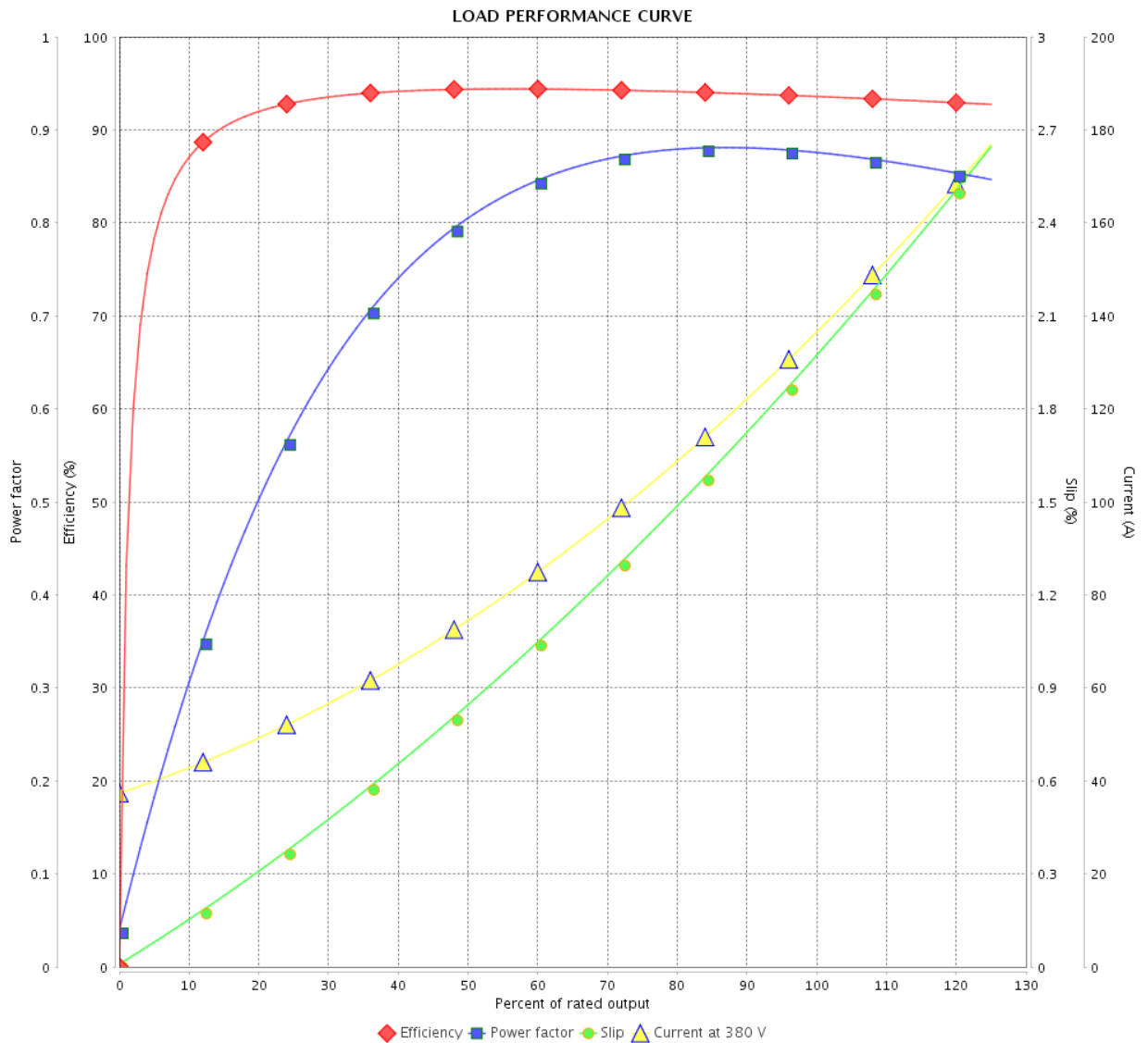


Customer : _____

Product line : NEMA Premium Efficiency Three-Phase

Product code : 11576332

Catalog # : 10018ET3E405JM-W22



Performance : 380 V 50 Hz 4P IE1

Rated current : 138 A
 LRC : 5.9
 Rated torque : 357 ft.lb
 Locked rotor torque : 190 %
 Breakdown torque : 210 %
 Rated speed : 1470 rpm

Moment of inertia (J) : 29.9 sq.ft.lb
 Duty cycle : Cont.(S1)
 Insulation class : F
 Service factor : 1.00
 Temperature rise : 105 K
 Design : B

Rev.	Changes Summary	Performed	Checked	Date
Performed by		Page		Revision
Checked by		13 / 36		
Date		14/04/2022		

LOAD PERFORMANCE CURVE

Three Phase Induction Motor - Squirrel Cage



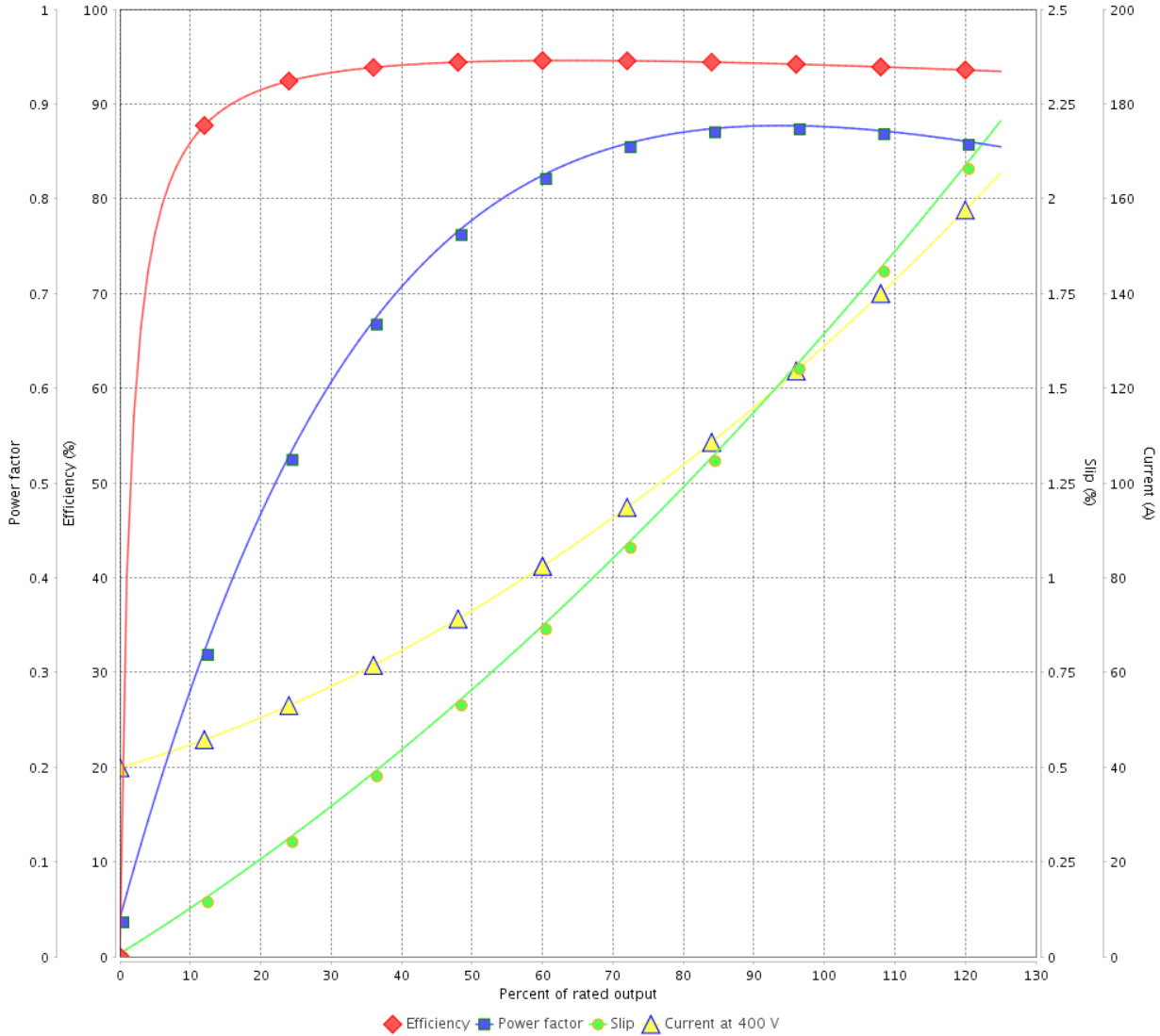
Customer :

Product line : NEMA Premium Efficiency Three-Phase

Product code : 11576332

Catalog # : 10018ET3E405JM-W22

LOAD PERFORMANCE CURVE



Performance : 400 V 50 Hz 4P IE2

Rated current	: 131 A	Moment of inertia (J)	: 29.9 sq.ft.lb
LRC	: 6.5	Duty cycle	: Cont.(S1)
Rated torque	: 356 ft.lb	Insulation class	: F
Locked rotor torque	: 210 %	Service factor	: 1.00
Breakdown torque	: 229 %	Temperature rise	: 105 K
Rated speed	: 1475 rpm	Design	: B

Rev.	Changes Summary	Performed	Checked	Date
Performed by			Page 14 / 36	Revision
Checked by				
Date	14/04/2022			

LOAD PERFORMANCE CURVE

Three Phase Induction Motor - Squirrel Cage

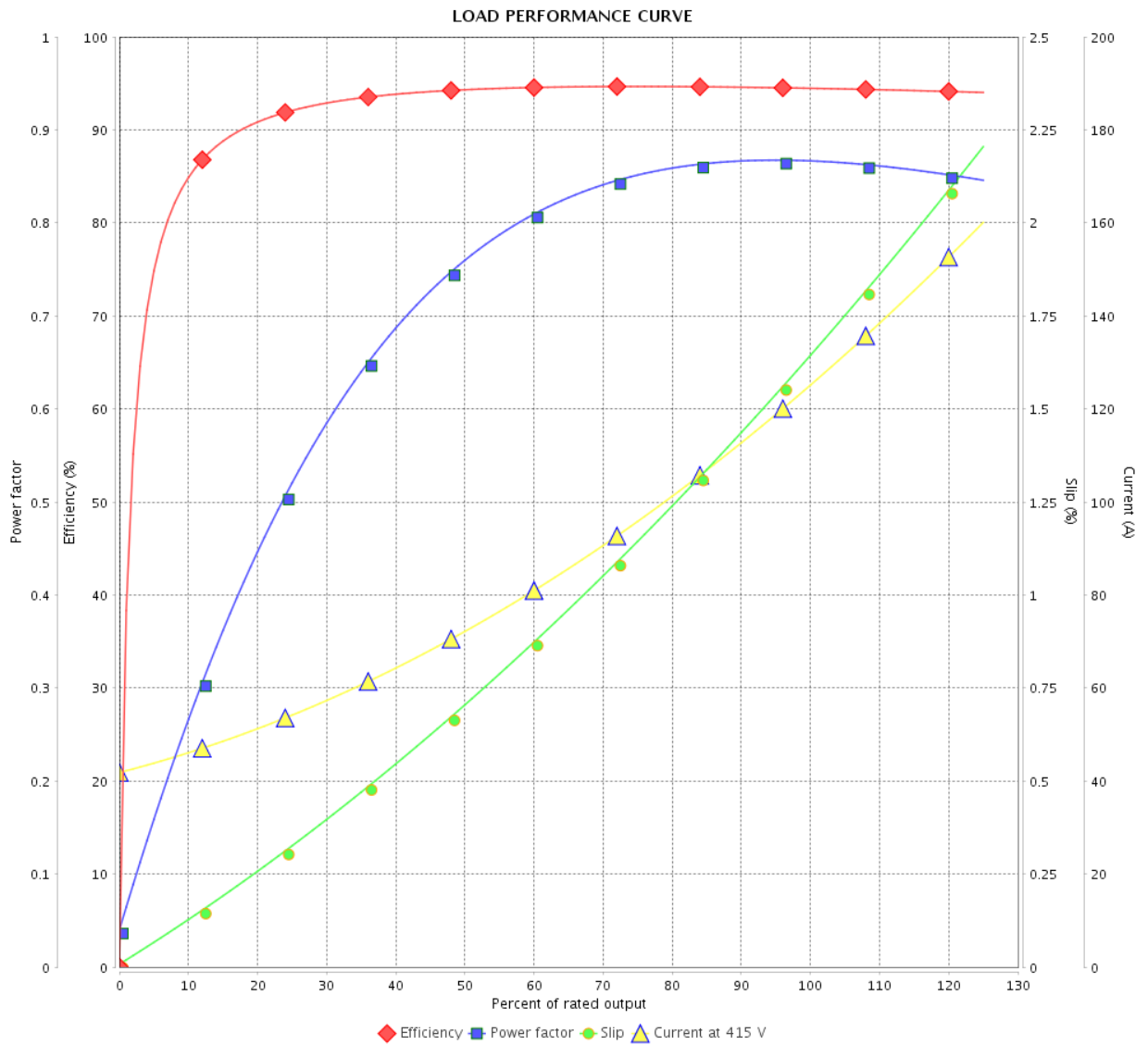


Customer :

Product line : NEMA Premium Efficiency Three-Phase

Product code : 11576332

Catalog # : 10018ET3E405JM-W22



Performance : 415 V 50 Hz 4P IE2

Rated current : 127 A
 LRC : 7.1
 Rated torque : 356 ft.lb
 Locked rotor torque : 220 %
 Breakdown torque : 250 %
 Rated speed : 1475 rpm

Moment of inertia (J) : 29.9 sq.ft.lb
 Duty cycle : Cont.(S1)
 Insulation class : F
 Service factor : 1.00
 Temperature rise : 105 K
 Design : B

Rev.	Changes Summary	Performed	Checked	Date
Performed by		Page		Revision
Checked by		15 / 36		
Date		14/04/2022		

THERMAL LIMIT CURVE

Three Phase Induction Motor - Squirrel Cage



Customer :

Product line : NEMA Premium Efficiency Three-Phase
Product code : 11576332
Catalog # : 10018ET3E405JM-W22

Performance : 230/460 V 60 Hz 4P

Rated current	: 226/113 A	Moment of inertia (J)	: 29.9 sq.ft.lb
LRC	: 7.3	Duty cycle	: Cont.(S1)
Rated torque	: 295 ft.lb	Insulation class	: F
Locked rotor torque	: 240 %	Service factor	: 1.25
Breakdown torque	: 260 %	Temperature rise	: 80 K
Rated speed	: 1780 rpm	Design	: B

Heating constant

Cooling constant

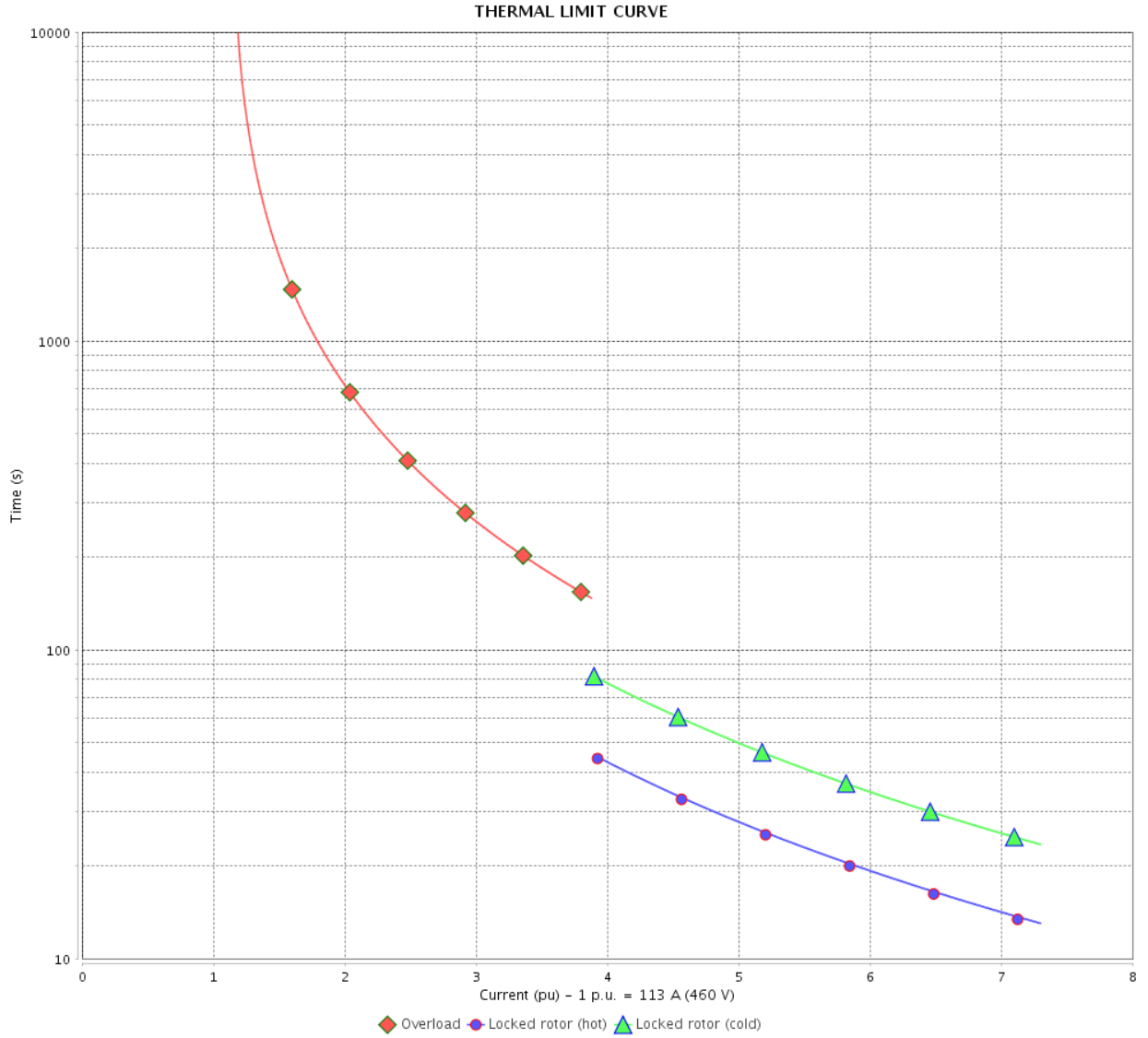
Rev.	Changes Summary	Performed	Checked	Date
Performed by				
Checked by			Page	Revision
Date	14/04/2022		16 / 36	

THERMAL LIMIT CURVE

Three Phase Induction Motor - Squirrel Cage



Customer : _____



Rev.	Changes Summary	Performed	Checked	Date
Performed by		Page 17 / 36		Revision
Checked by				
Date				

THERMAL LIMIT CURVE



Three Phase Induction Motor - Squirrel Cage

Customer :

Product line : NEMA Premium Efficiency Three-Phase
Product code : 11576332
Catalog # : 10018ET3E405JM-W22

Performance : 380 V 50 Hz 4P IE3

Rated current	: 102 A	Moment of inertia (J)	: 29.9 sq.ft.lb
LRC	: 7.7	Duty cycle	: Cont.(S1)
Rated torque	: 265 ft.lb	Insulation class	: F
Locked rotor torque	: 260 %	Service factor	: 1.00
Breakdown torque	: 280 %	Temperature rise	: 80 K
Rated speed	: 1485 rpm	Design	: B

Heating constant

Cooling constant

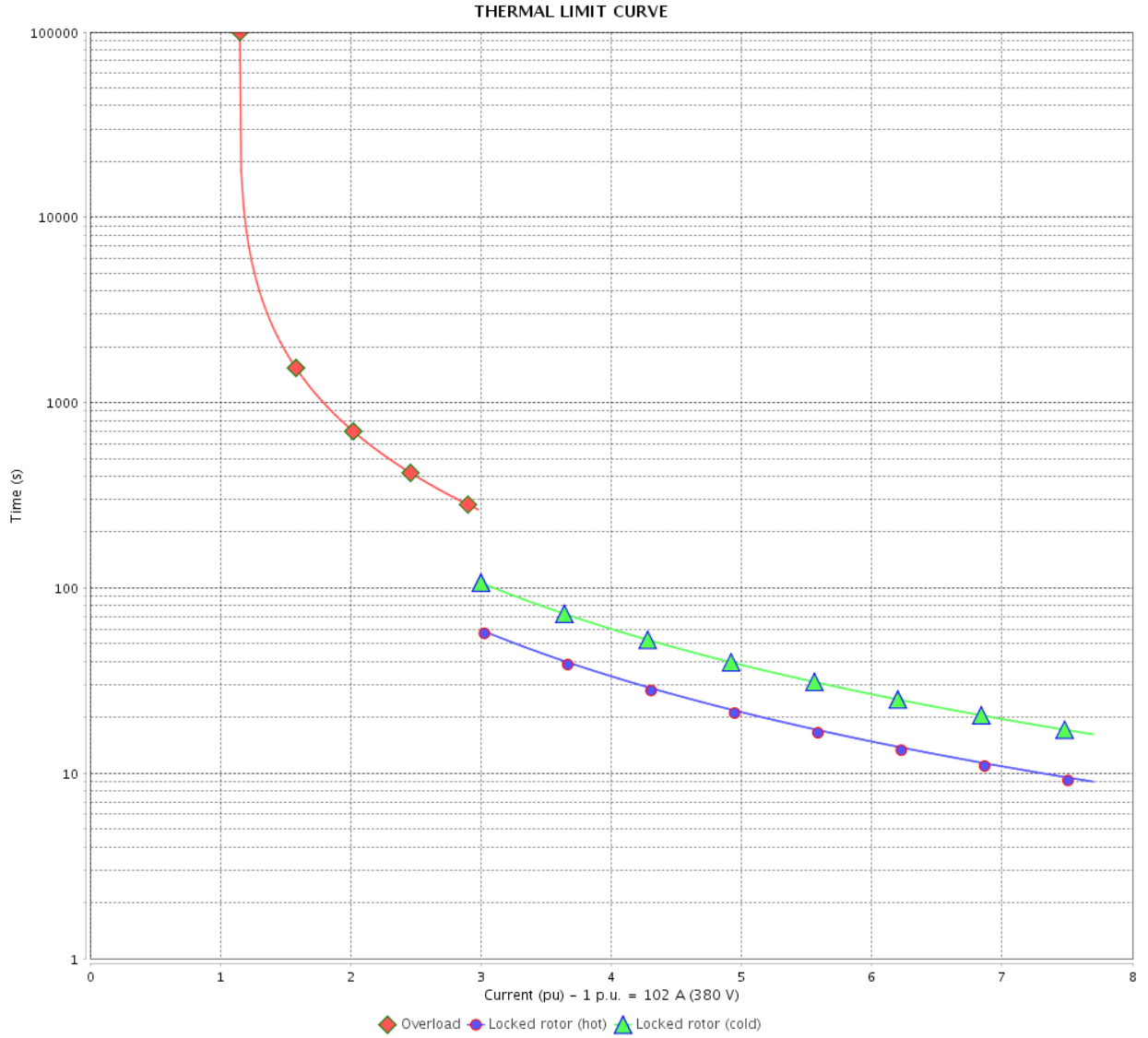
Rev.	Changes Summary	Performed	Checked	Date
Performed by				
Checked by			Page	Revision
Date	14/04/2022		18 / 36	

THERMAL LIMIT CURVE

Three Phase Induction Motor - Squirrel Cage



Customer : _____



Rev.	Changes Summary	Performed	Checked	Date
Performed by		Page 19 / 36		Revision
Checked by				
Date				

THERMAL LIMIT CURVE



Three Phase Induction Motor - Squirrel Cage

Customer :

Product line : NEMA Premium Efficiency Three-Phase
Product code : 11576332
Catalog # : 10018ET3E405JM-W22

Performance : 400 V 50 Hz 4P IE3

Rated current	: 98.3 A	Moment of inertia (J)	: 29.9 sq.ft.lb
LRC	: 8.4	Duty cycle	: Cont.(S1)
Rated torque	: 265 ft.lb	Insulation class	: F
Locked rotor torque	: 280 %	Service factor	: 1.00
Breakdown torque	: 310 %	Temperature rise	: 80 K
Rated speed	: 1485 rpm	Design	: B

Heating constant

Cooling constant

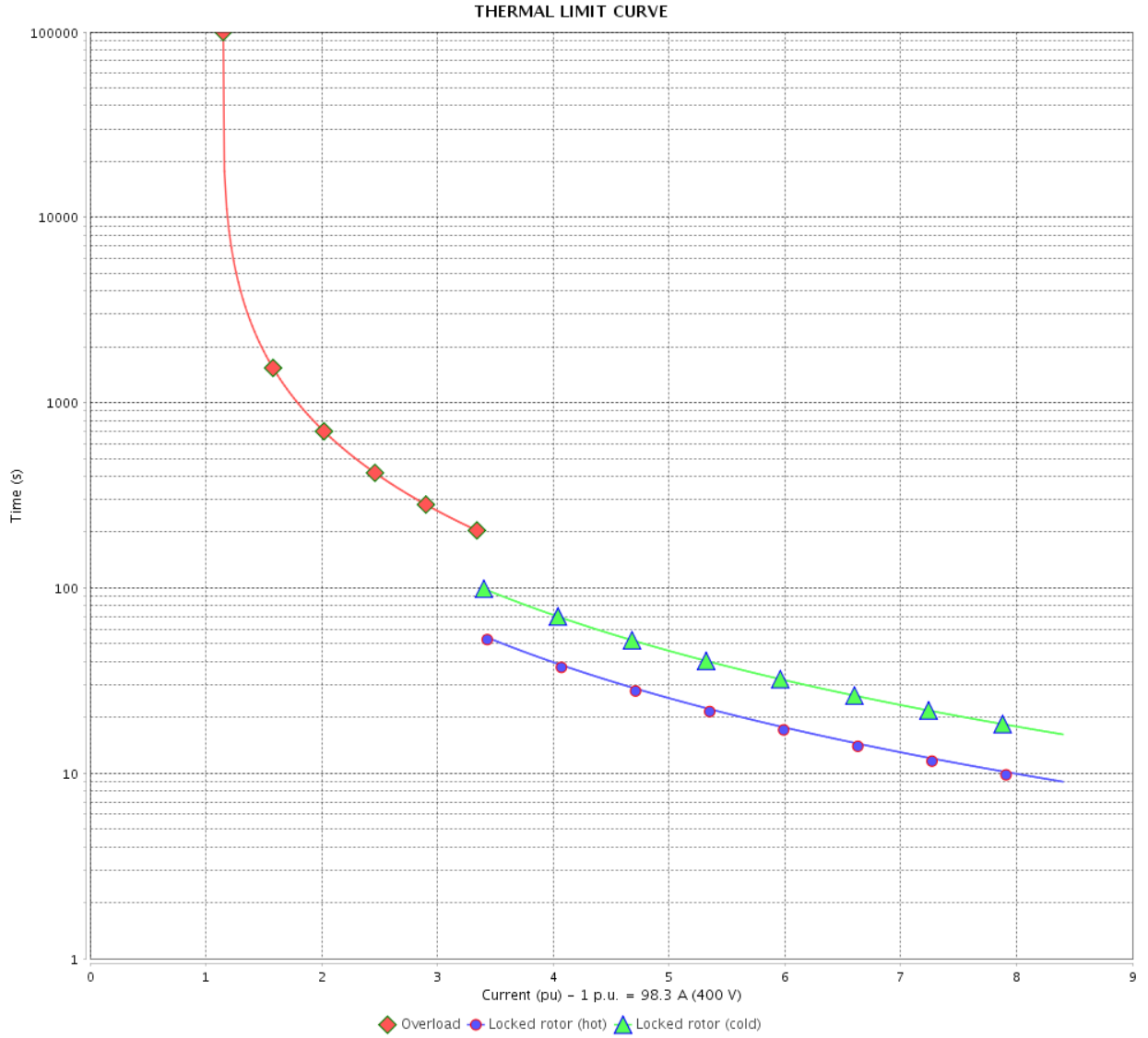
Rev.	Changes Summary	Performed	Checked	Date
Performed by				
Checked by			Page	Revision
Date	14/04/2022		20 / 36	

THERMAL LIMIT CURVE

Three Phase Induction Motor - Squirrel Cage



Customer : _____



Rev.	Changes Summary	Performed	Checked	Date
Performed by		Page 21 / 36		Revision
Checked by				
Date				

THERMAL LIMIT CURVE

Three Phase Induction Motor - Squirrel Cage



Customer :

Product line : NEMA Premium Efficiency Three-Phase
Product code : 11576332
Catalog # : 10018ET3E405JM-W22

Performance : 415 V 50 Hz 4P IE3

Rated current	: 95.9 A	Moment of inertia (J)	: 29.9 sq.ft.lb
LRC	: 8.9	Duty cycle	: Cont.(S1)
Rated torque	: 265 ft.lb	Insulation class	: F
Locked rotor torque	: 290 %	Service factor	: 1.00
Breakdown torque	: 330 %	Temperature rise	: 80 K
Rated speed	: 1485 rpm	Design	: B

Heating constant

Cooling constant

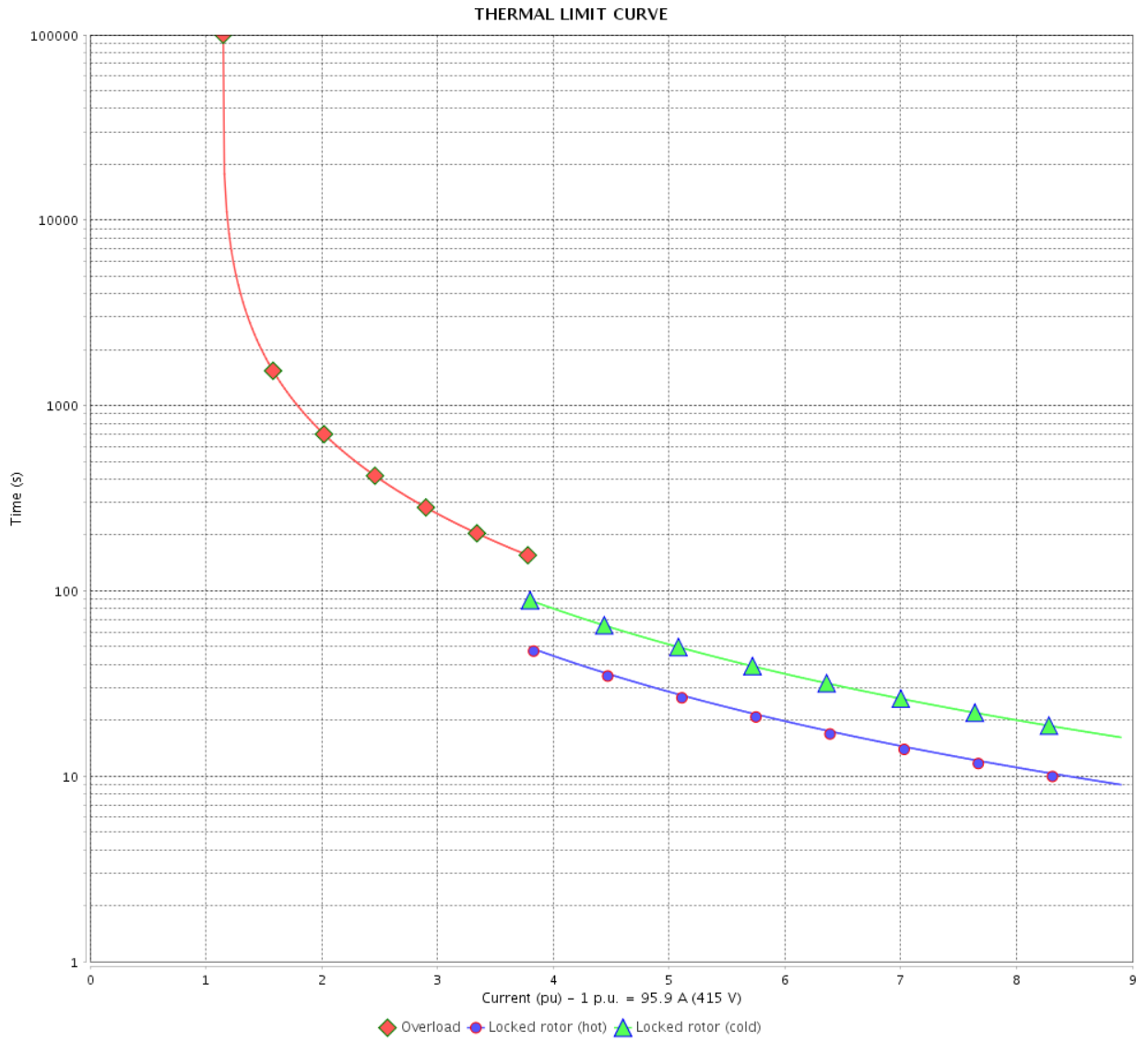
Rev.	Changes Summary	Performed	Checked	Date
Performed by				
Checked by			Page	Revision
Date	14/04/2022		22 / 36	

THERMAL LIMIT CURVE

Three Phase Induction Motor - Squirrel Cage



Customer : _____



Rev.	Changes Summary	Performed	Checked	Date
Performed by		Page 23 / 36		Revision
Checked by				
Date				

THERMAL LIMIT CURVE

Three Phase Induction Motor - Squirrel Cage



Customer :

Product line : NEMA Premium Efficiency Three-Phase
Product code : 11576332
Catalog # : 10018ET3E405JM-W22

Performance : 380 V 50 Hz 4P IE1

Rated current	: 138 A	Moment of inertia (J)	: 29.9 sq.ft.lb
LRC	: 5.9	Duty cycle	: Cont.(S1)
Rated torque	: 357 ft.lb	Insulation class	: F
Locked rotor torque	: 190 %	Service factor	: 1.00
Breakdown torque	: 210 %	Temperature rise	: 105 K
Rated speed	: 1470 rpm	Design	: B

Heating constant

Cooling constant

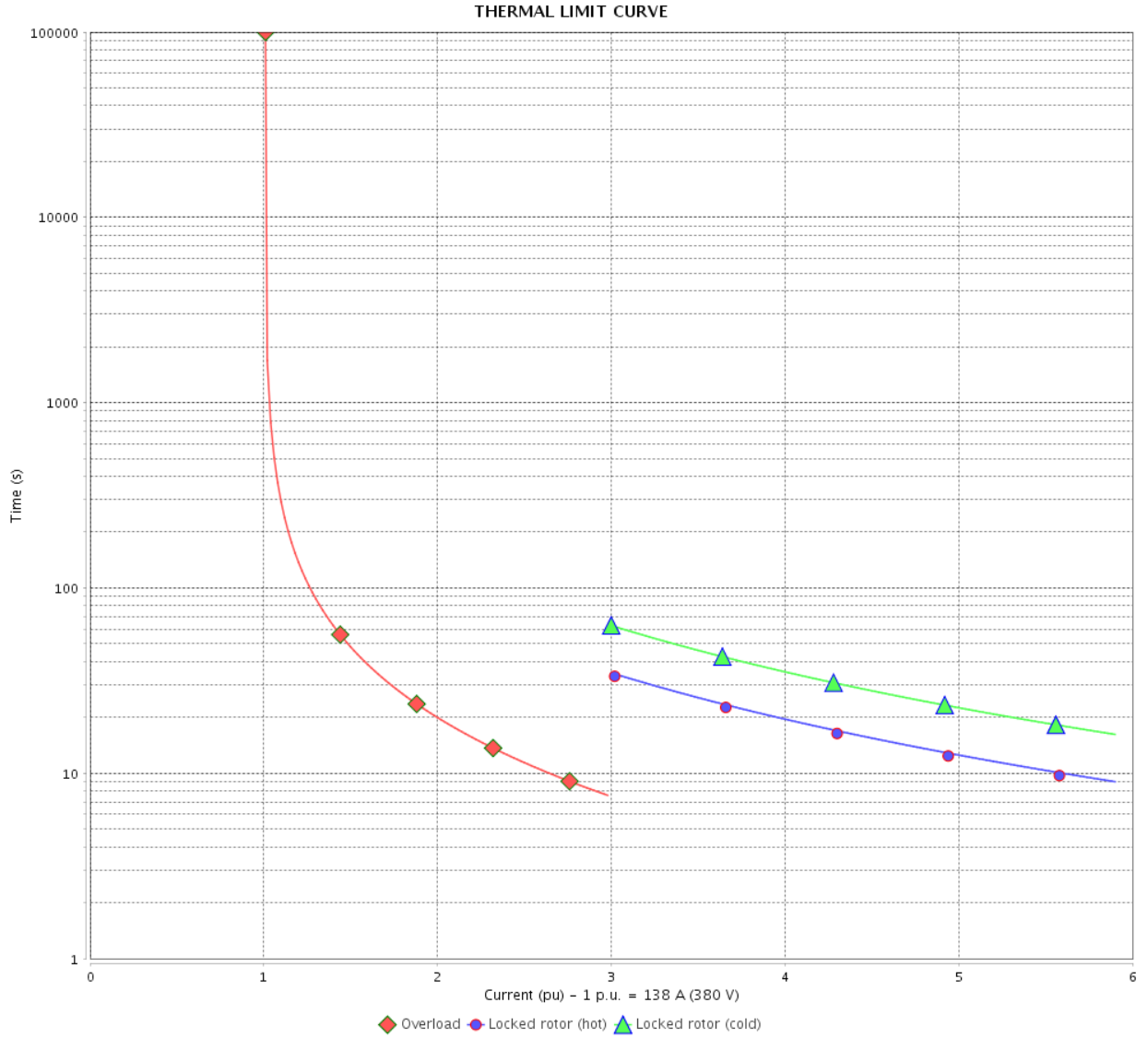
Rev.	Changes Summary	Performed	Checked	Date
Performed by				
Checked by			Page	Revision
Date	14/04/2022		24 / 36	

THERMAL LIMIT CURVE

Three Phase Induction Motor - Squirrel Cage



Customer : _____



Rev.	Changes Summary	Performed	Checked	Date
Performed by				
Checked by				
Date				
			Page	Revision
			25 / 36	

THERMAL LIMIT CURVE

Three Phase Induction Motor - Squirrel Cage



Customer :

Product line : NEMA Premium Efficiency Three-Phase
Product code : 11576332
Catalog # : 10018ET3E405JM-W22

Performance : 400 V 50 Hz 4P IE2

Rated current	: 131 A	Moment of inertia (J)	: 29.9 sq.ft.lb
LRC	: 6.5	Duty cycle	: Cont.(S1)
Rated torque	: 356 ft.lb	Insulation class	: F
Locked rotor torque	: 210 %	Service factor	: 1.00
Breakdown torque	: 229 %	Temperature rise	: 105 K
Rated speed	: 1475 rpm	Design	: B

Heating constant

Cooling constant

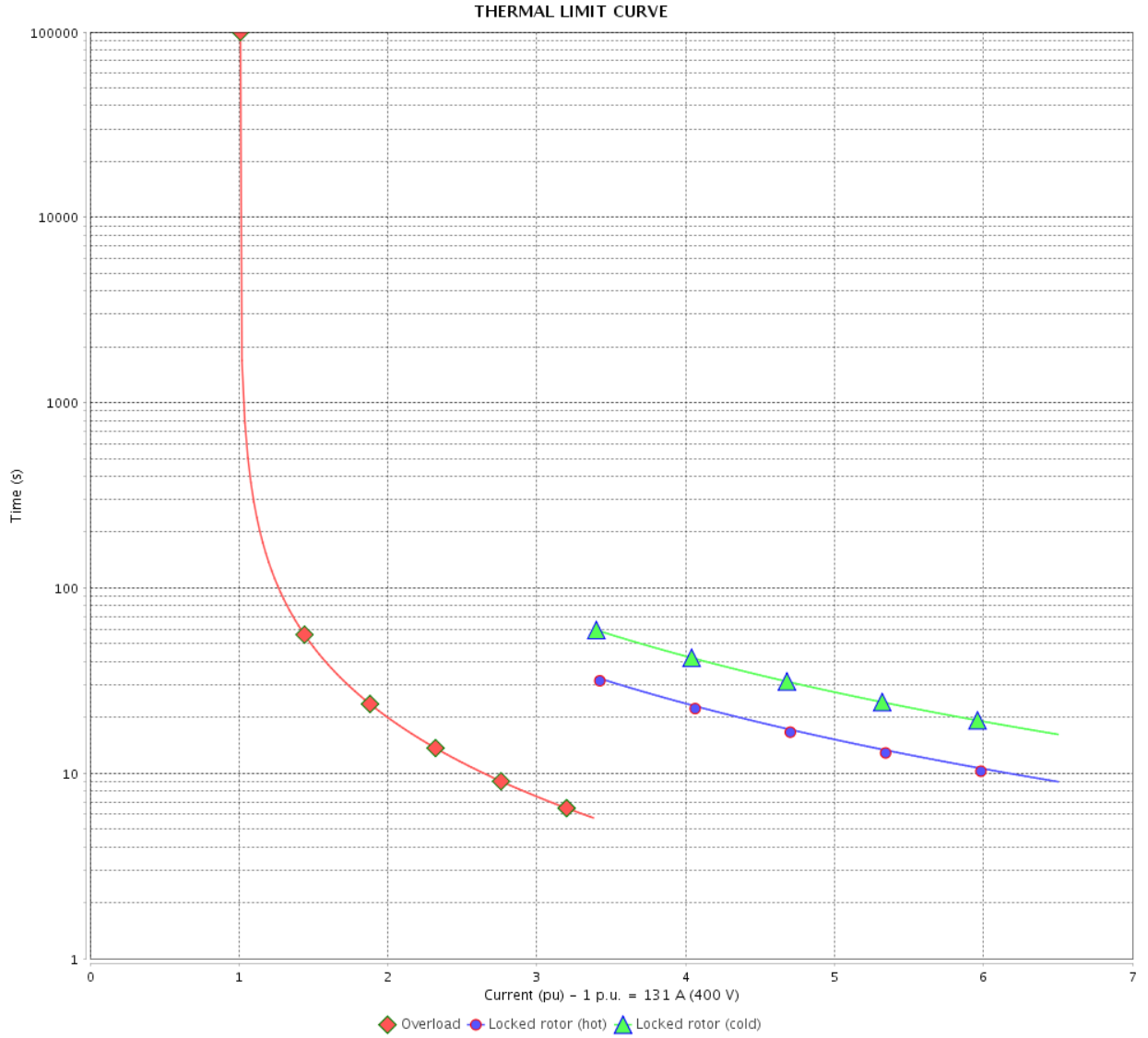
Rev.	Changes Summary	Performed	Checked	Date
Performed by				
Checked by			Page	Revision
Date	14/04/2022		26 / 36	

THERMAL LIMIT CURVE

Three Phase Induction Motor - Squirrel Cage



Customer : _____



Rev.	Changes Summary	Performed	Checked	Date
Performed by		Page 27 / 36		Revision
Checked by				
Date				

THERMAL LIMIT CURVE

Three Phase Induction Motor - Squirrel Cage



Customer :

Product line : NEMA Premium Efficiency Three-Phase
Product code : 11576332
Catalog # : 10018ET3E405JM-W22

Performance : 415 V 50 Hz 4P IE2

Rated current	: 127 A	Moment of inertia (J)	: 29.9 sq.ft.lb
LRC	: 7.1	Duty cycle	: Cont.(S1)
Rated torque	: 356 ft.lb	Insulation class	: F
Locked rotor torque	: 220 %	Service factor	: 1.00
Breakdown torque	: 250 %	Temperature rise	: 105 K
Rated speed	: 1475 rpm	Design	: B

Heating constant

Cooling constant

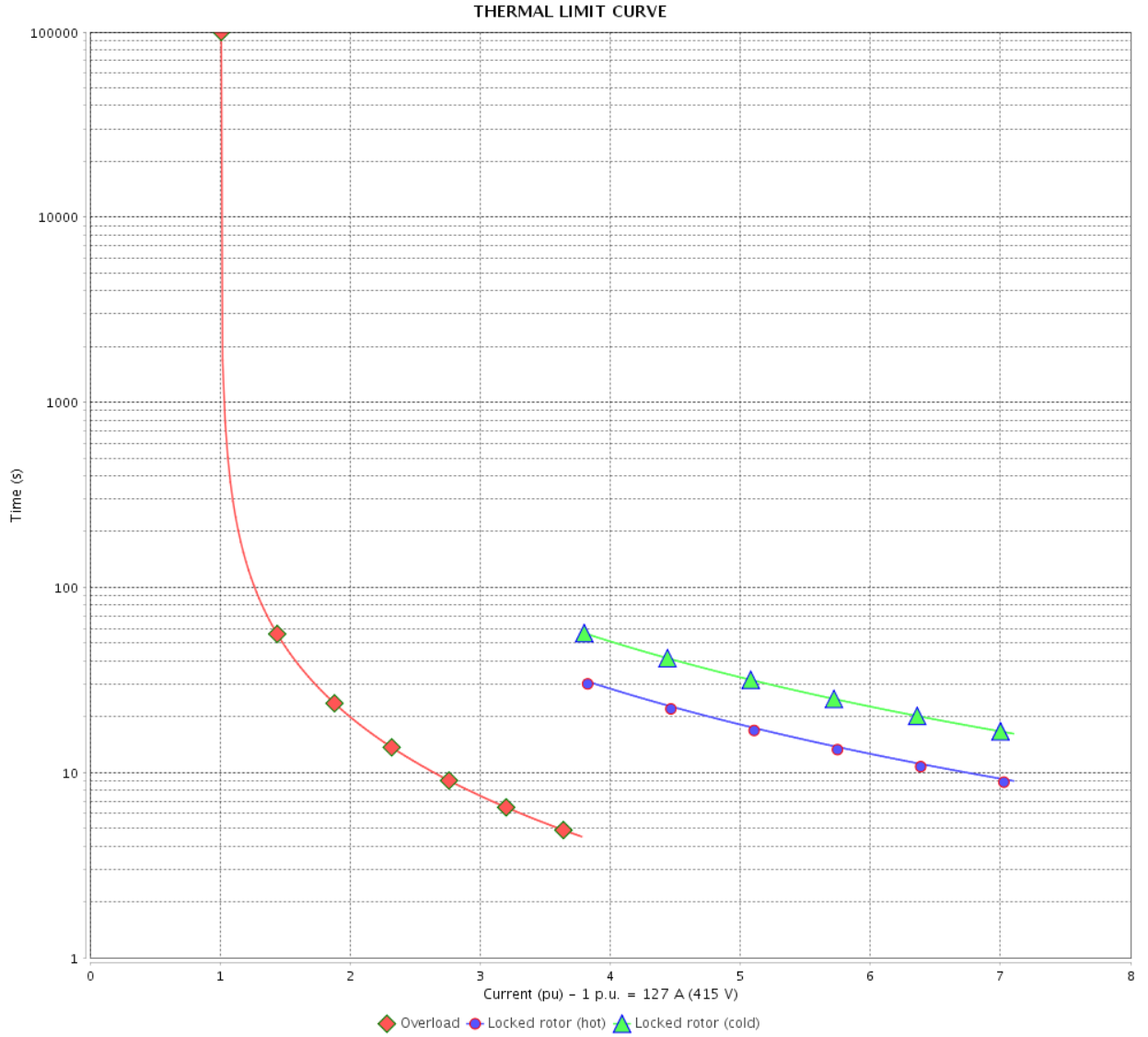
Rev.	Changes Summary	Performed	Checked	Date
Performed by				
Checked by			Page	Revision
Date	14/04/2022		28 / 36	

THERMAL LIMIT CURVE

Three Phase Induction Motor - Squirrel Cage



Customer : _____



Rev.	Changes Summary	Performed	Checked	Date
Performed by		Page 29 / 36		Revision
Checked by				
Date				

VFD OPERATION CURVE

Three Phase Induction Motor - Squirrel Cage



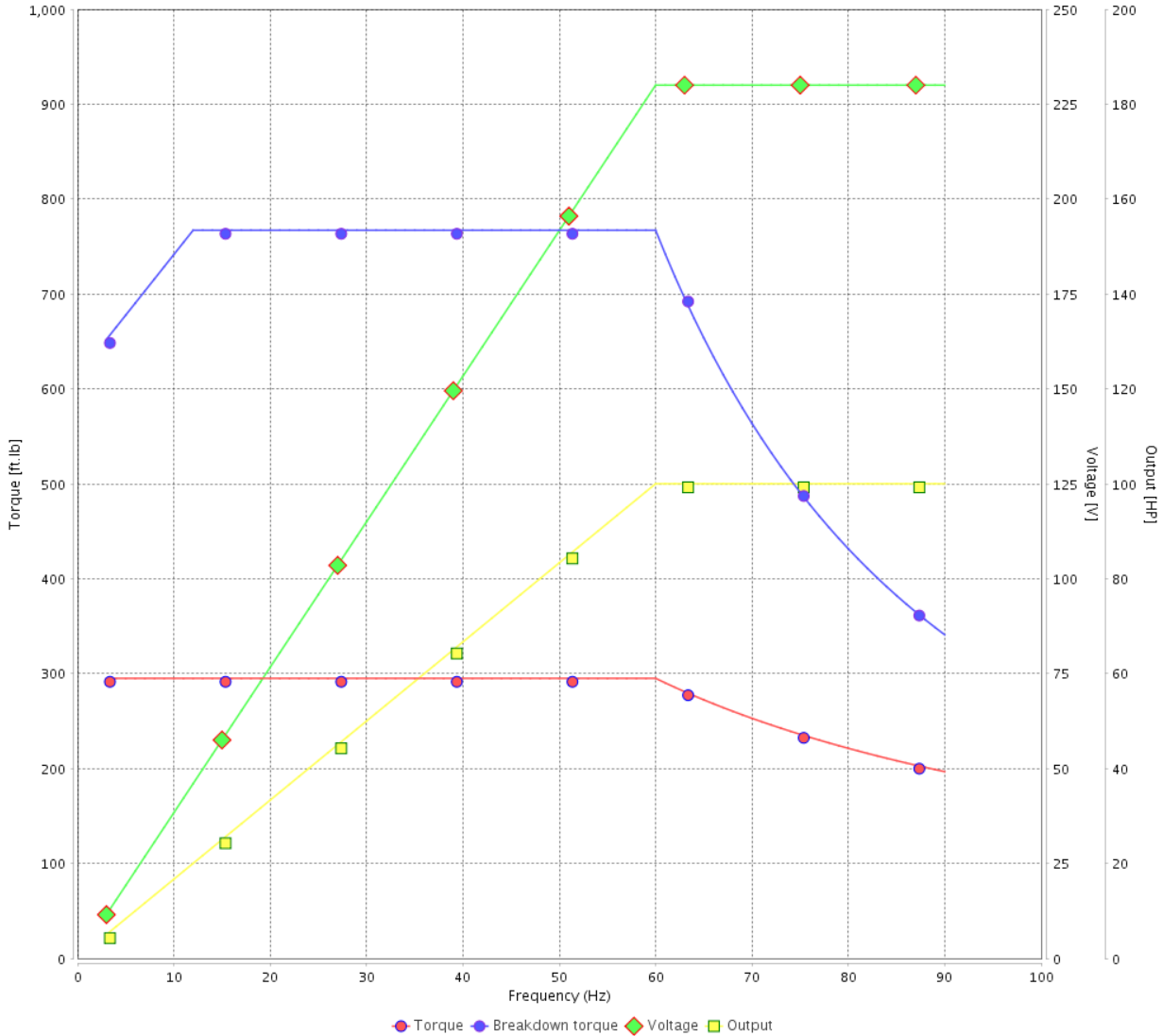
Customer :

Product line : NEMA Premium Efficiency Three-Phase

Product code : 11576332

Catalog # : 10018ET3E405JM-W22

VFD OPERATION CURVE



Performance : 230/460 V 60 Hz 4P

Rated current : 226/113 A
 LRC : 7.3
 Rated torque : 295 ft.lb
 Locked rotor torque : 240 %
 Breakdown torque : 260 %
 Rated speed : 1780 rpm

Moment of inertia (J) : 29.9 sq.ft.lb
 Duty cycle : Cont.(S1)
 Insulation class : F
 Service factor : 1.25
 Temperature rise : 80 K
 Design : B

Rev.	Changes Summary	Performed	Checked	Date
Performed by			Page 30 / 36	Revision
Checked by				
Date	14/04/2022			

VFD OPERATION CURVE

Three Phase Induction Motor - Squirrel Cage

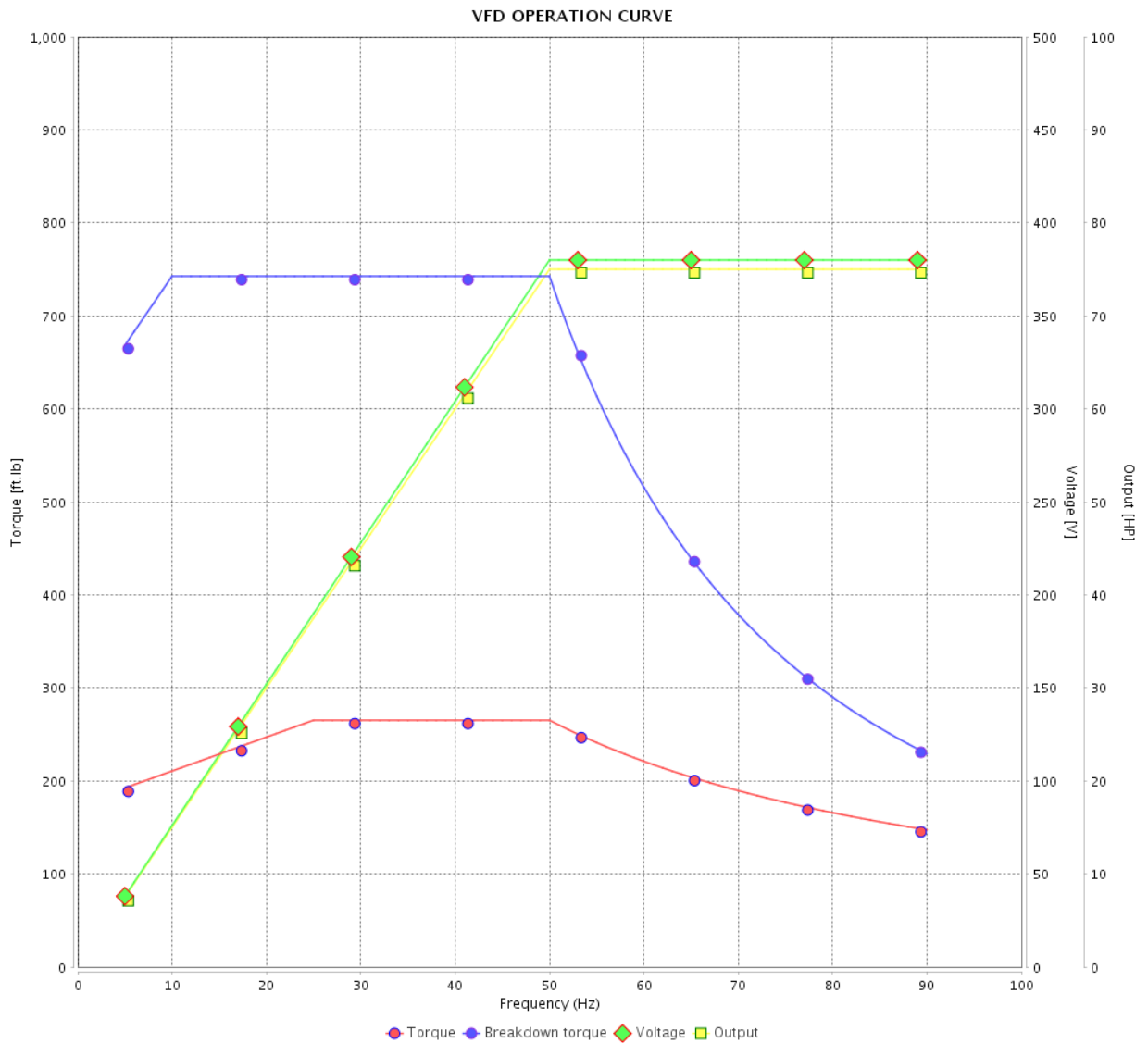


Customer : _____

Product line : NEMA Premium Efficiency Three-Phase

Product code : 11576332

Catalog # : 10018ET3E405JM-W22



Performance : 380 V 50 Hz 4P IE3

Rated current : 102 A
 LRC : 7.7
 Rated torque : 265 ft.lb
 Locked rotor torque : 260 %
 Breakdown torque : 280 %
 Rated speed : 1485 rpm

Moment of inertia (J) : 29.9 sq.ft.lb
 Duty cycle : Cont.(S1)
 Insulation class : F
 Service factor : 1.00
 Temperature rise : 80 K
 Design : B

Rev.	Changes Summary	Performed	Checked	Date
Performed by				Page 31 / 36
Checked by				
Date	14/04/2022			

VFD OPERATION CURVE

Three Phase Induction Motor - Squirrel Cage



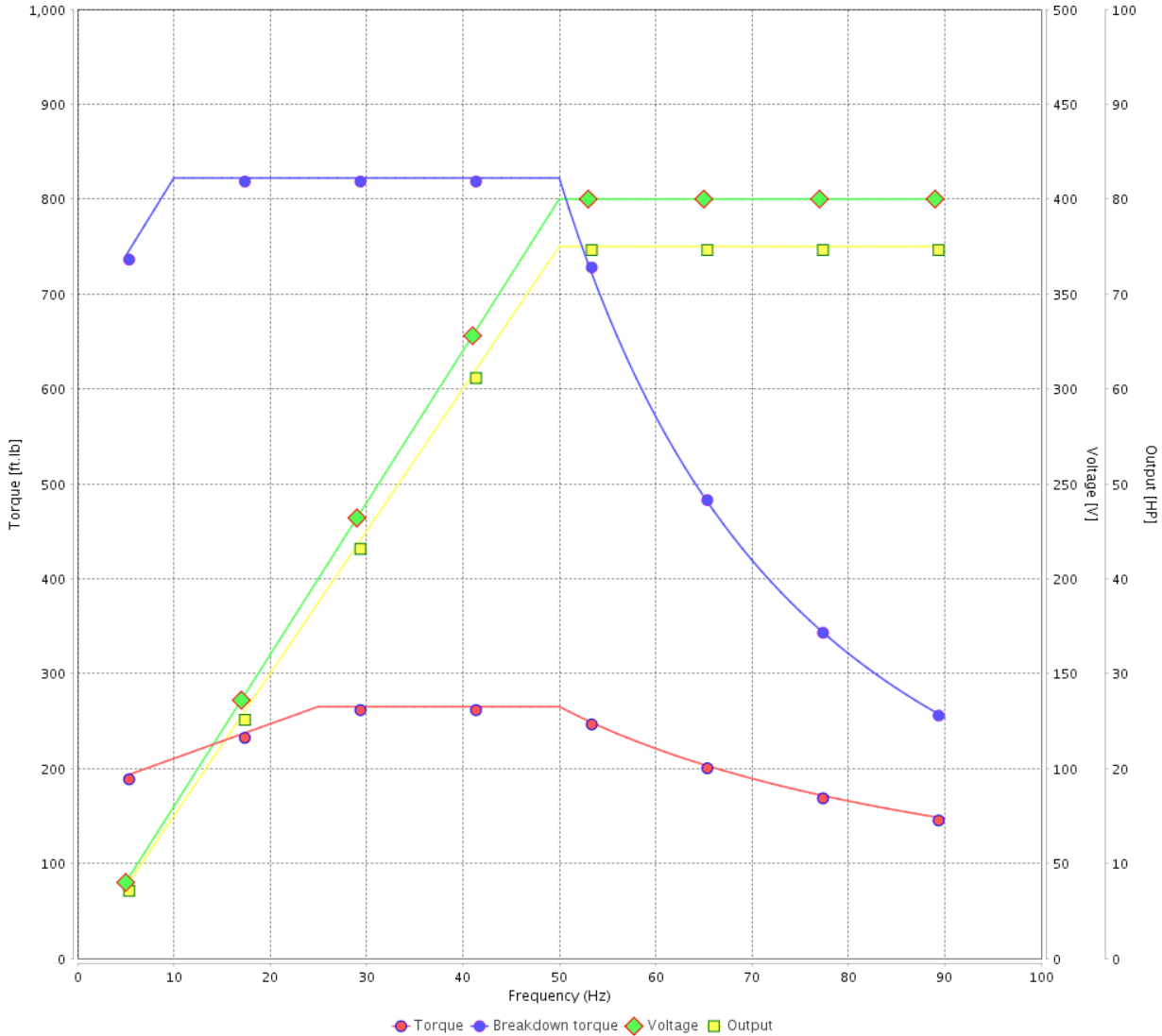
Customer : _____

Product line : NEMA Premium Efficiency Three-Phase

Product code : 11576332

Catalog # : 10018ET3E405JM-W22

VFD OPERATION CURVE



Performance : 400 V 50 Hz 4P IE3

Rated current : 98.3 A
 LRC : 8.4
 Rated torque : 265 ft.lb
 Locked rotor torque : 280 %
 Breakdown torque : 310 %
 Rated speed : 1485 rpm

Moment of inertia (J) : 29.9 sq.ft.lb
 Duty cycle : Cont.(S1)
 Insulation class : F
 Service factor : 1.00
 Temperature rise : 80 K
 Design : B

Rev.	Changes Summary	Performed	Checked	Date
Performed by			Page 32 / 36	Revision
Checked by				
Date	14/04/2022			

VFD OPERATION CURVE

Three Phase Induction Motor - Squirrel Cage

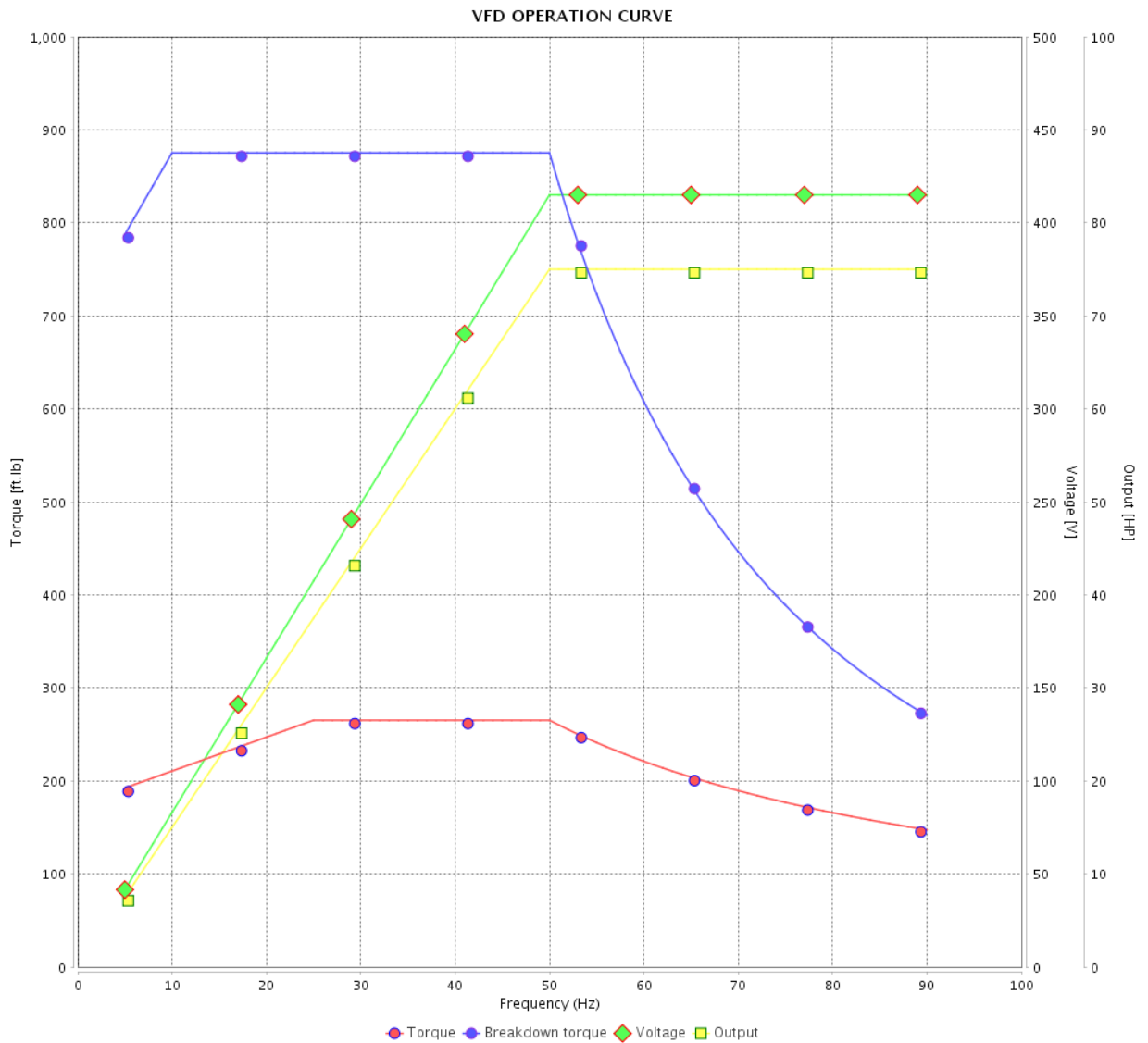


Customer :

Product line : NEMA Premium Efficiency Three-Phase

Product code : 11576332

Catalog # : 10018ET3E405JM-W22



Performance : 415 V 50 Hz 4P IE3

Rated current : 95.9 A
 LRC : 8.9
 Rated torque : 265 ft.lb
 Locked rotor torque : 290 %
 Breakdown torque : 330 %
 Rated speed : 1485 rpm

Moment of inertia (J) : 29.9 sq.ft.lb
 Duty cycle : Cont.(S1)
 Insulation class : F
 Service factor : 1.00
 Temperature rise : 80 K
 Design : B

Rev.	Changes Summary	Performed	Checked	Date
Performed by			Page 33 / 36	Revision
Checked by				
Date	14/04/2022			

VFD OPERATION CURVE

Three Phase Induction Motor - Squirrel Cage

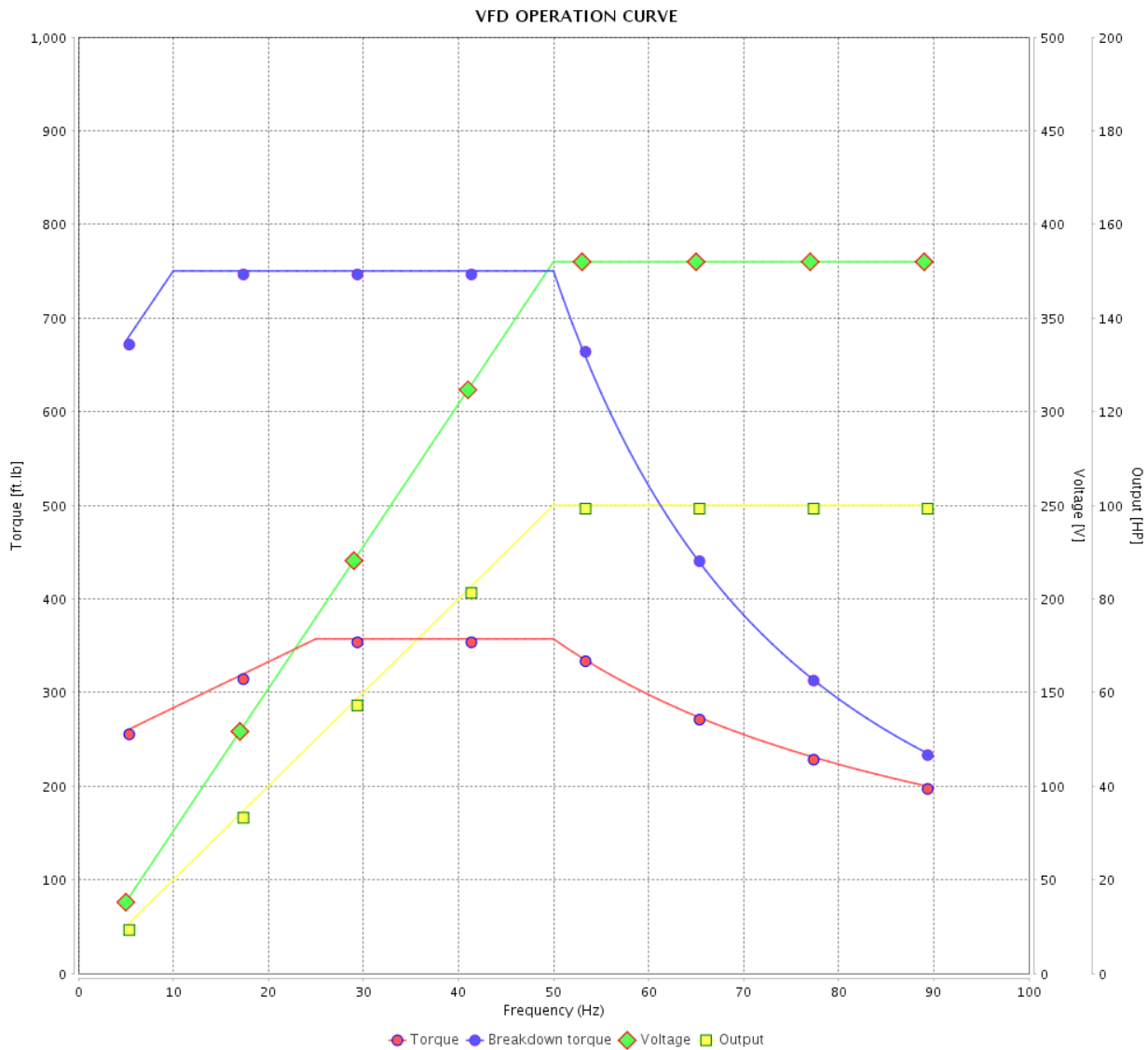


Customer :

Product line : NEMA Premium Efficiency Three-Phase

Product code : 11576332

Catalog # : 10018ET3E405JM-W22



Performance : 380 V 50 Hz 4P IE1

Rated current	: 138 A	Moment of inertia (J)	: 29.9 sq.ft.lb
LRC	: 5.9	Duty cycle	: Cont.(S1)
Rated torque	: 357 ft.lb	Insulation class	: F
Locked rotor torque	: 190 %	Service factor	: 1.00
Breakdown torque	: 210 %	Temperature rise	: 105 K
Rated speed	: 1470 rpm	Design	: B

Rev.	Changes Summary	Performed	Checked	Date
Performed by			Page 34 / 36	Revision
Checked by				
Date	14/04/2022			

VFD OPERATION CURVE

Three Phase Induction Motor - Squirrel Cage

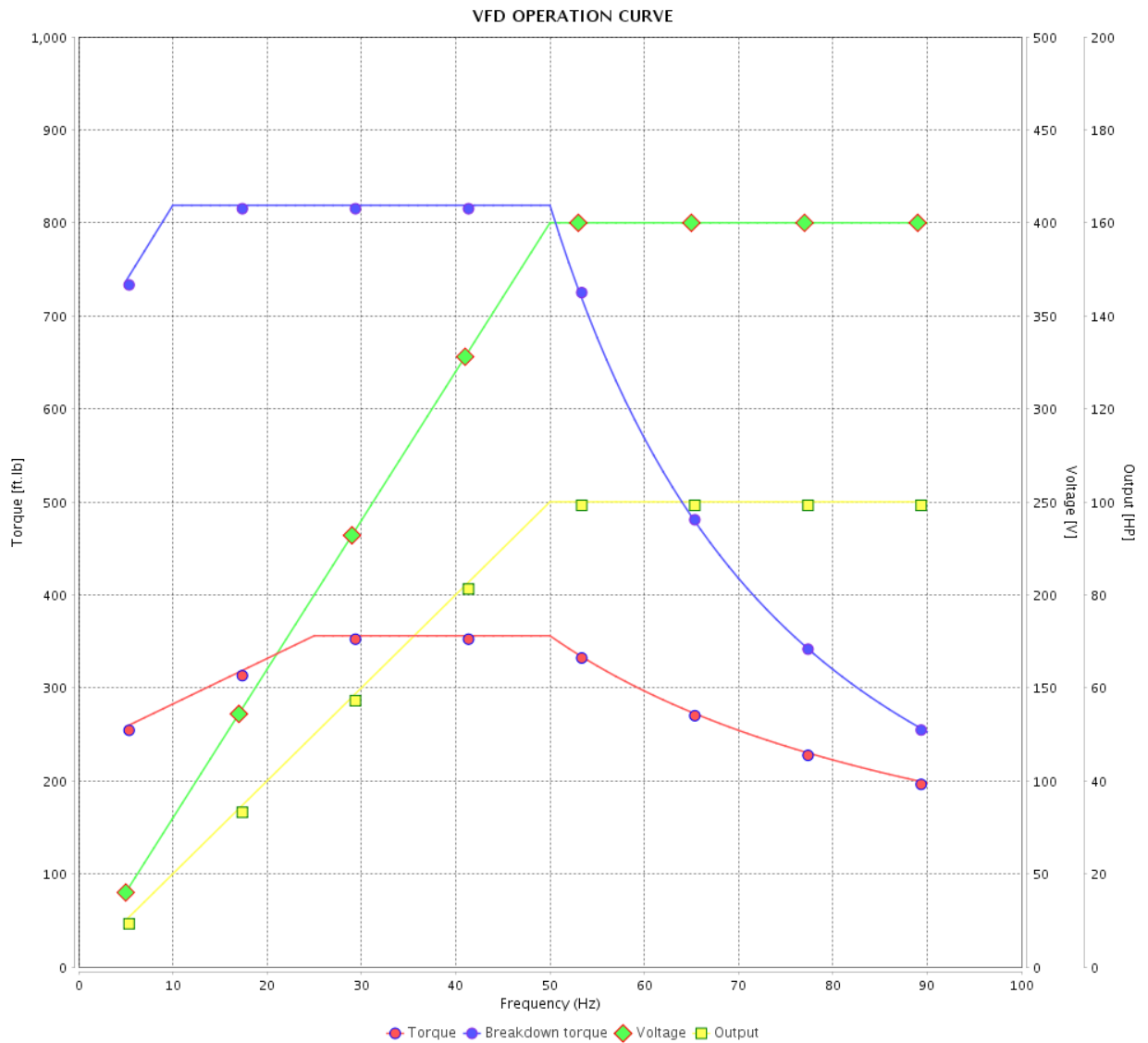


Customer : _____

Product line : NEMA Premium Efficiency Three-Phase

Product code : 11576332

Catalog # : 10018ET3E405JM-W22



Performance : 400 V 50 Hz 4P IE2

Rated current : 131 A
 LRC : 6.5
 Rated torque : 356 ft.lb
 Locked rotor torque : 210 %
 Breakdown torque : 229 %
 Rated speed : 1475 rpm

Moment of inertia (J) : 29.9 sq.ft.lb
 Duty cycle : Cont.(S1)
 Insulation class : F
 Service factor : 1.00
 Temperature rise : 105 K
 Design : B

Rev.	Changes Summary	Performed	Checked	Date
Performed by		Page		Revision
Checked by		35 / 36		
Date		14/04/2022		

VFD OPERATION CURVE

Three Phase Induction Motor - Squirrel Cage



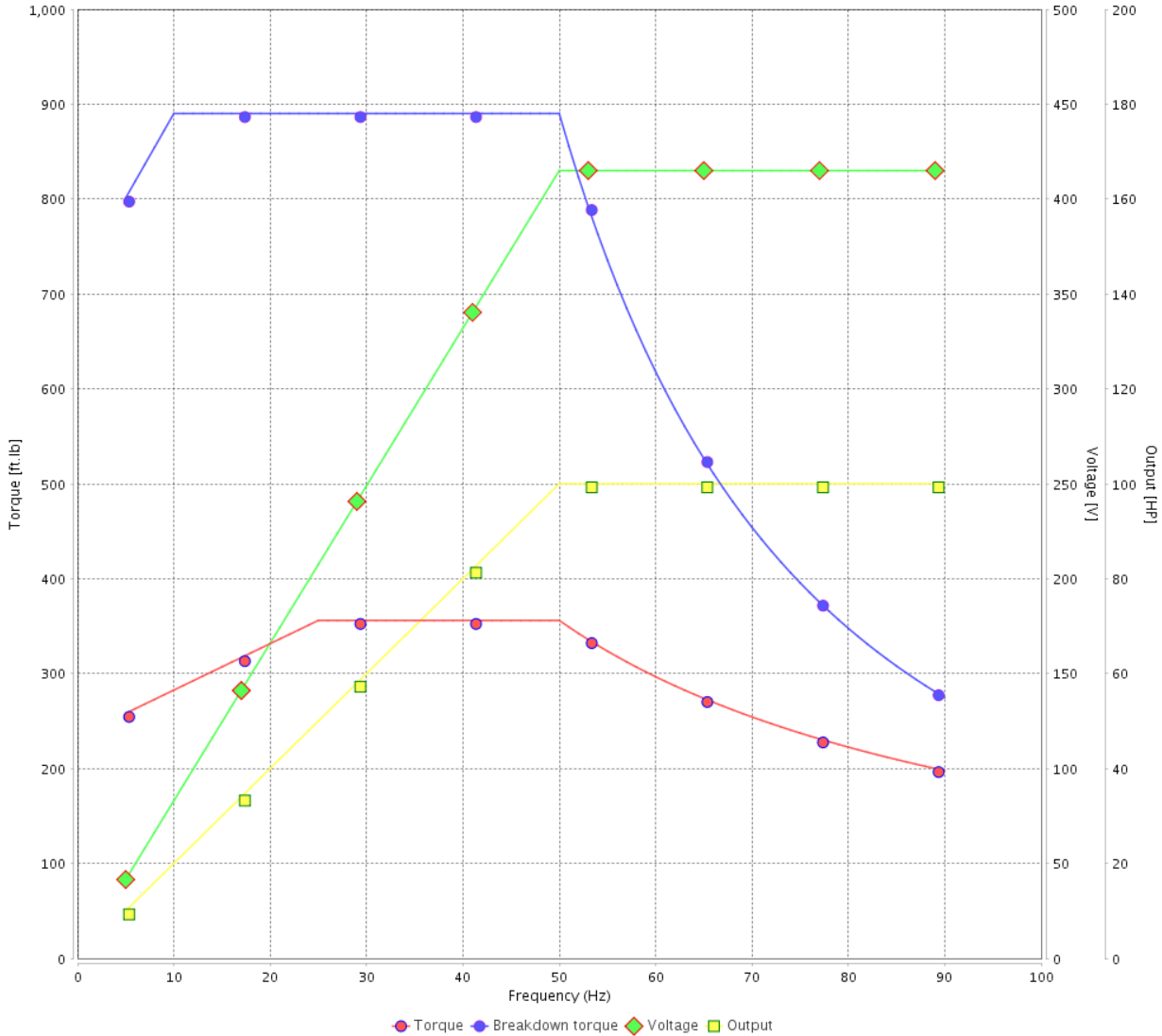
Customer :

Product line : NEMA Premium Efficiency Three-Phase

Product code : 11576332

Catalog # : 10018ET3E405JM-W22

VFD OPERATION CURVE



Performance : 415 V 50 Hz 4P IE2

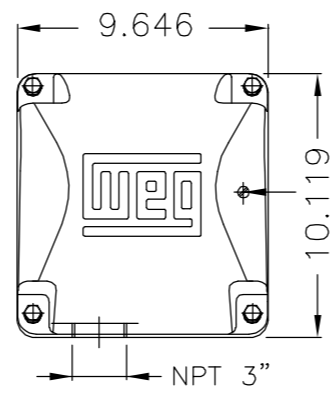
Rated current	: 127 A	Moment of inertia (J)	: 29.9 sq.ft.lb
LRC	: 7.1	Duty cycle	: Cont.(S1)
Rated torque	: 356 ft.lb	Insulation class	: F
Locked rotor torque	: 220 %	Service factor	: 1.00
Breakdown torque	: 250 %	Temperature rise	: 105 K
Rated speed	: 1475 rpm	Design	: B

Rev.	Changes Summary	Performed	Checked	Date
Performed by			Page	Revision
Checked by			36 / 36	
Date	14/04/2022			

No reproduction of this drawing is allowed without written permission of WEG Motores

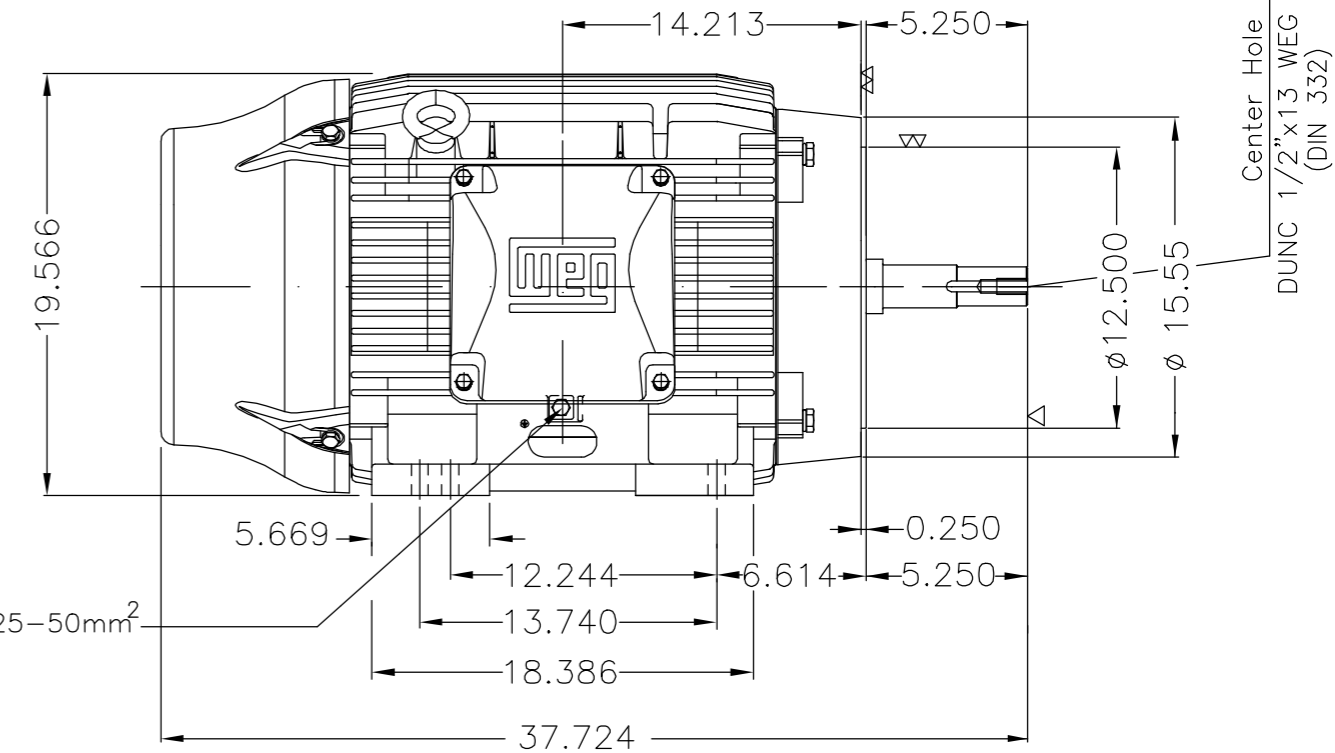
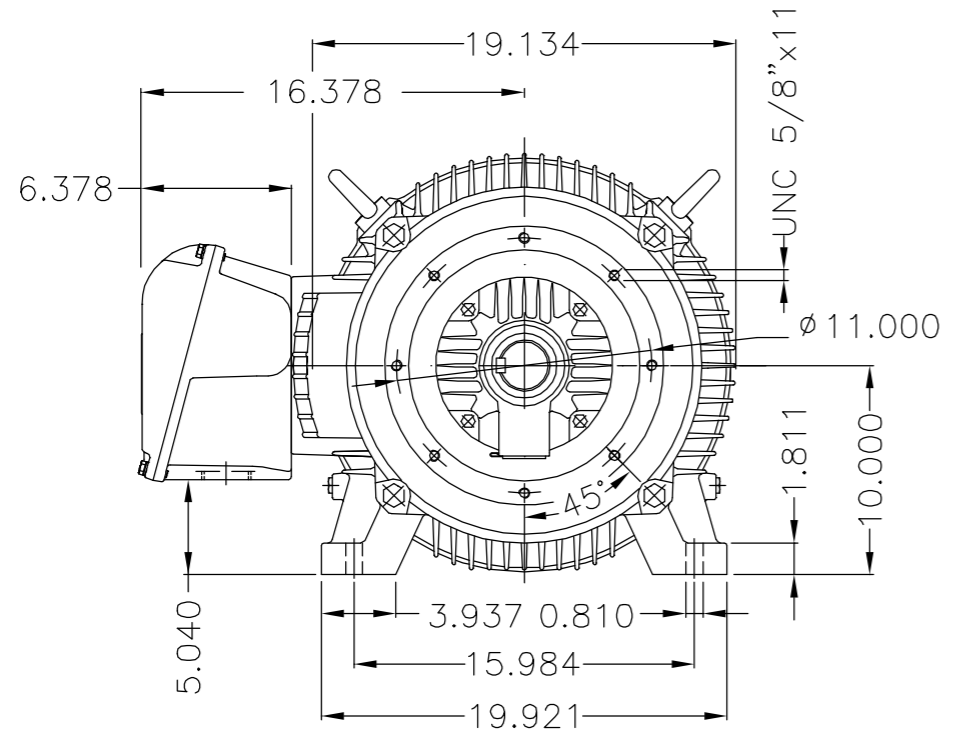
EIXO		Dimensões em polegadas Dimensions in inches
PADRÃO		
OPCIONAL		
ESPECIAL	X	

THIS IS AN UPDATED REVISION, THE PREVIOUS ONE MUST BE DISREGARDED.



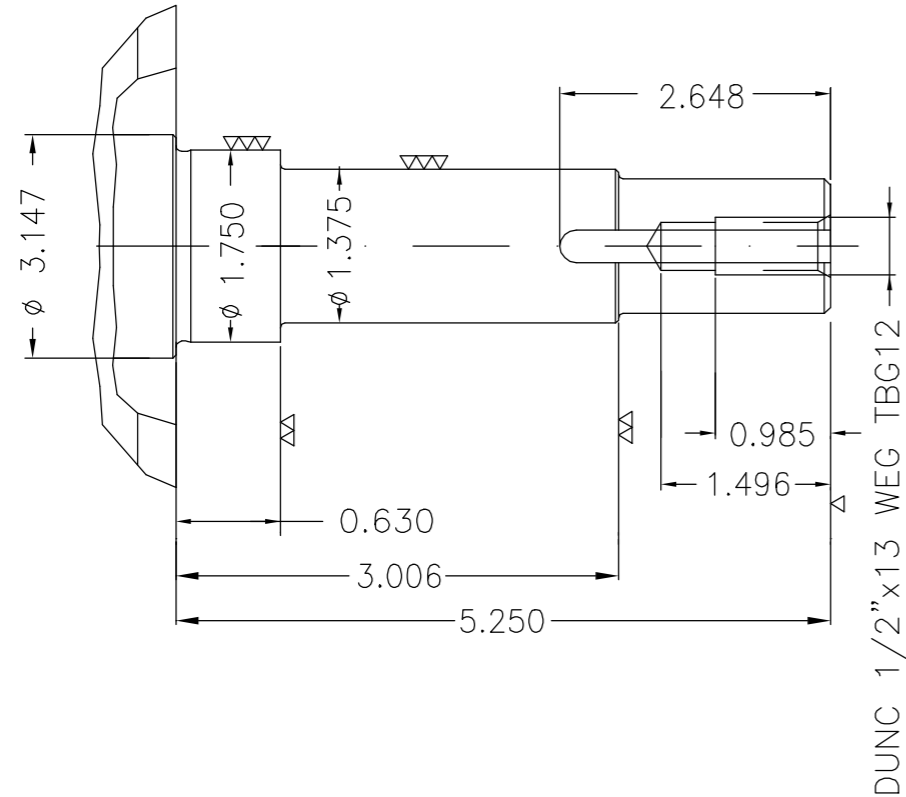
Main terminal box

Grounding for leads 25-50mm²

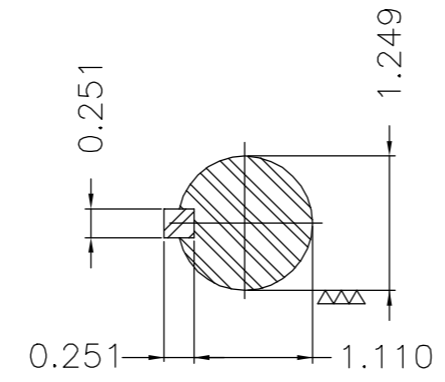


Grounding for leads 25-50mm²

Center Hole
DUNC 1/2"x13 WEG TBG12
(DIN 332)



DUNC 1/2"x13 WEG TBG12



DE Shaft End

Material do eixo - AISI/SAE 4140 / Shaft material - AISI/SAE 4140
 Vedação - retentor com mola / Sealing - oil seal ring
 Plano de pintura 203A / Painting plan 203A
 Forma construtiva B34D / Mounting B34R(D)

WEG ELECTRIC CORPORATION

500001265030	ALT. CONF. CLAIM 414539852	JOAOVICTOR	DIEGOU	27.01.2017	03			
500001037260	REMOVIDO REPRESENTAÇÃO ATERR	ALESOMZ	ODORIZZI	18.07.2015	02			
ECM	LOC	SUMMARY OF MODIFICATIONS		EXECUTED	CHECKED	RELEASED	DATE	VER
EXECUTED	SCARMAGNANI	THREE PHASE W22 MOTOR - NEMA PREMIUM EFF		10001013858				
CHECKED		FRAME 404/5TCZ IP55		000 03				
RELEASED	ALCIDESZ							
REL DT	25.10.2010	WMO	JARAGUÁ DO SUL	ENG. MOTORES INDUSTRIAIS	SHEET	1 / 1		

100 HP 04 Poles 60Hz 406362332/0