

# DATA SHEET



## Three Phase Induction Motor - Squirrel Cage

Customer :																			
Product line	: NEMA Premium Efficiency Three-Phase																		
Product code :	12810716																		
Catalog # :	12512ET3H445T-W22																		
Frame : 444/5T Output : 125 HP Poles : 6 Frequency : 60 Hz Rated voltage : 575 V Rated current : 114 A L. R. Amperes : 732 A LRC : 6.4x(Code G) No load current : 44.8 A Rated speed : 1185 rpm Slip : 1.25 % Rated torque : 554 ft.lb Locked rotor torque : 210 % Breakdown torque : 240 % Insulation class : F Service factor : 1.15 Moment of inertia (J) : 104 sq.ft.lb Design : B	Locked rotor time : 34s (cold) 19s (hot) Temperature rise : 80 K Duty cycle : Cont.(S1) Ambient temperature : -20°C to +40°C Altitude : 1000 m.a.s.l. Protection degree : IP55 Cooling method : IC411 - TEFC Mounting : F-1 Rotation <sup>1</sup> : Both (CW and CCW) Noise level <sup>2</sup> : 69.0 dB(A) Starting method : Direct On Line Approx. weight <sup>3</sup> : 1796 lb																		
Output	25%    50%    75%    100%																		
Efficiency (%)	95.2    95.0    95.4    95.0																		
Power Factor	0.45    0.70    0.79    0.83																		
Foundation loads																			
Max. traction : 2646 lb																			
Max. compression : 4442 lb																			
	<table border="0"> <tr> <td></td> <td style="text-align: center;"><u>Drive end</u></td> <td style="text-align: center;"><u>Non drive end</u></td> </tr> <tr> <td>Bearing type :</td> <td>6319 C3</td> <td>6316 C3</td> </tr> <tr> <td>Sealing :</td> <td>WSeal</td> <td>WSeal</td> </tr> <tr> <td>Lubrication interval :</td> <td>13000 h</td> <td>16000 h</td> </tr> <tr> <td>Lubricant amount :</td> <td>45 g</td> <td>34 g</td> </tr> <tr> <td>Lubricant type :</td> <td colspan="2" style="text-align: center;">Mobil Polyrex EM</td> </tr> </table>		<u>Drive end</u>	<u>Non drive end</u>	Bearing type :	6319 C3	6316 C3	Sealing :	WSeal	WSeal	Lubrication interval :	13000 h	16000 h	Lubricant amount :	45 g	34 g	Lubricant type :	Mobil Polyrex EM	
	<u>Drive end</u>	<u>Non drive end</u>																	
Bearing type :	6319 C3	6316 C3																	
Sealing :	WSeal	WSeal																	
Lubrication interval :	13000 h	16000 h																	
Lubricant amount :	45 g	34 g																	
Lubricant type :	Mobil Polyrex EM																		
Notes																			
This revision replaces and cancel the previous one, which must be eliminated. (1) Looking the motor from the shaft end. (2) Measured at 1m and with tolerance of +3dB(A). (3) Approximate weight subject to changes after manufacturing process. (4) At 100% of full load.																			
These are average values based on tests with sinusoidal power supply, subject to the tolerances stipulated in NEMA MG-1.																			
Rev.	Changes Summary	Performed	Checked	Date															
Performed by																			
Checked by			Page	Revision															
Date	13/04/2022		1 / 6																

# TORQUE AND CURRENT VS SPEED CURVE

Three Phase Induction Motor - Squirrel Cage



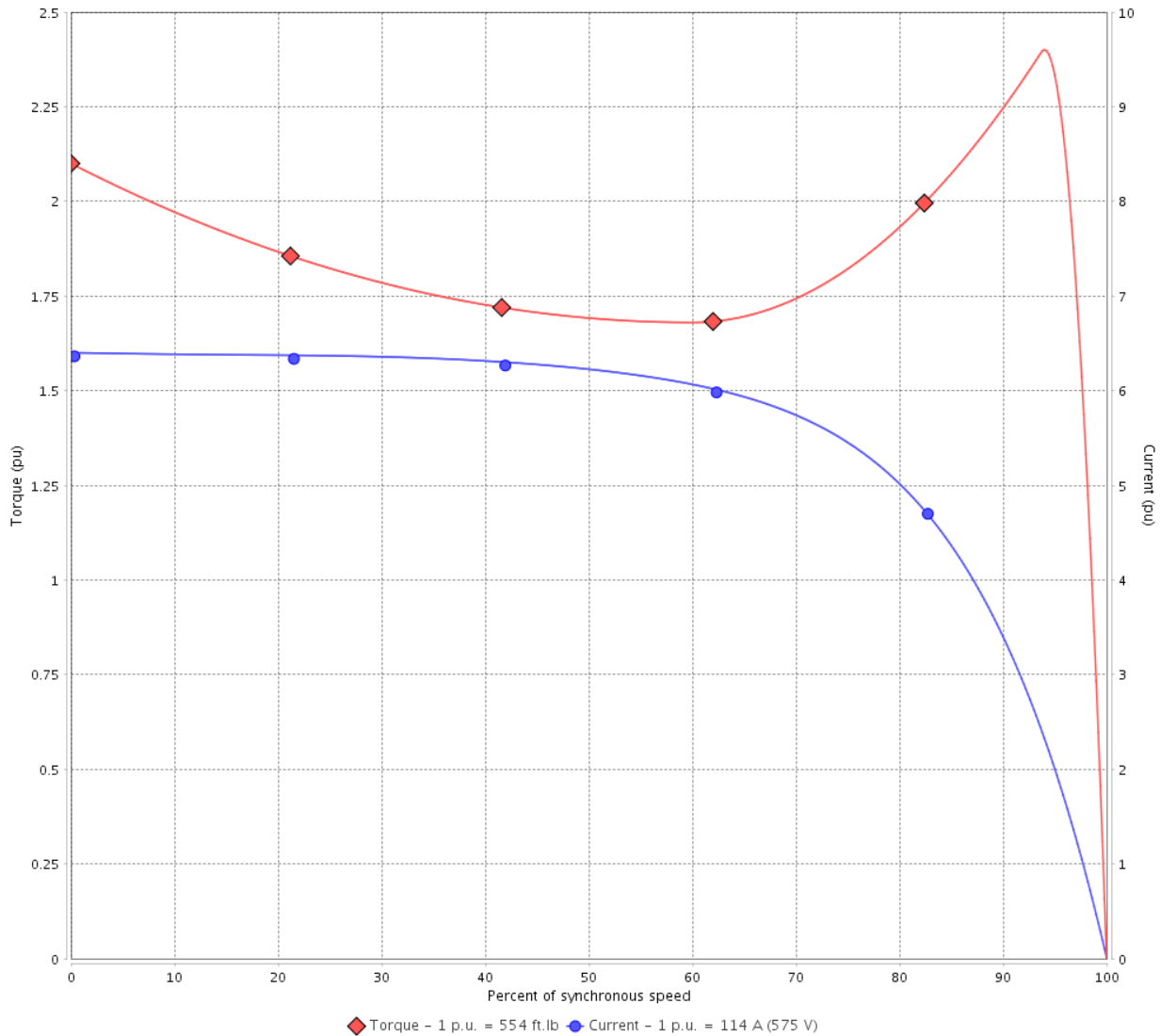
Customer :

Product line : NEMA Premium Efficiency Three-Phase

Product code : 12810716

Catalog # : 12512ET3H445T-W22

TORQUE AND CURRENT VS SPEED CURVE



Performance : 575 V 60 Hz 6P

Rated current	: 114 A	Moment of inertia (J)	: 104 sq.ft.lb
LRC	: 6.4	Duty cycle	: Cont.(S1)
Rated torque	: 554 ft.lb	Insulation class	: F
Locked rotor torque	: 210 %	Service factor	: 1.15
Breakdown torque	: 240 %	Temperature rise	: 80 K
Rated speed	: 1185 rpm	Design	: B

Locked rotor time : 34s (cold) 19s (hot)

Rev.	Changes Summary	Performed	Checked	Date
Performed by			Page 2 / 6	Revision
Checked by				
Date	13/04/2022			

# LOAD PERFORMANCE CURVE

## Three Phase Induction Motor - Squirrel Cage

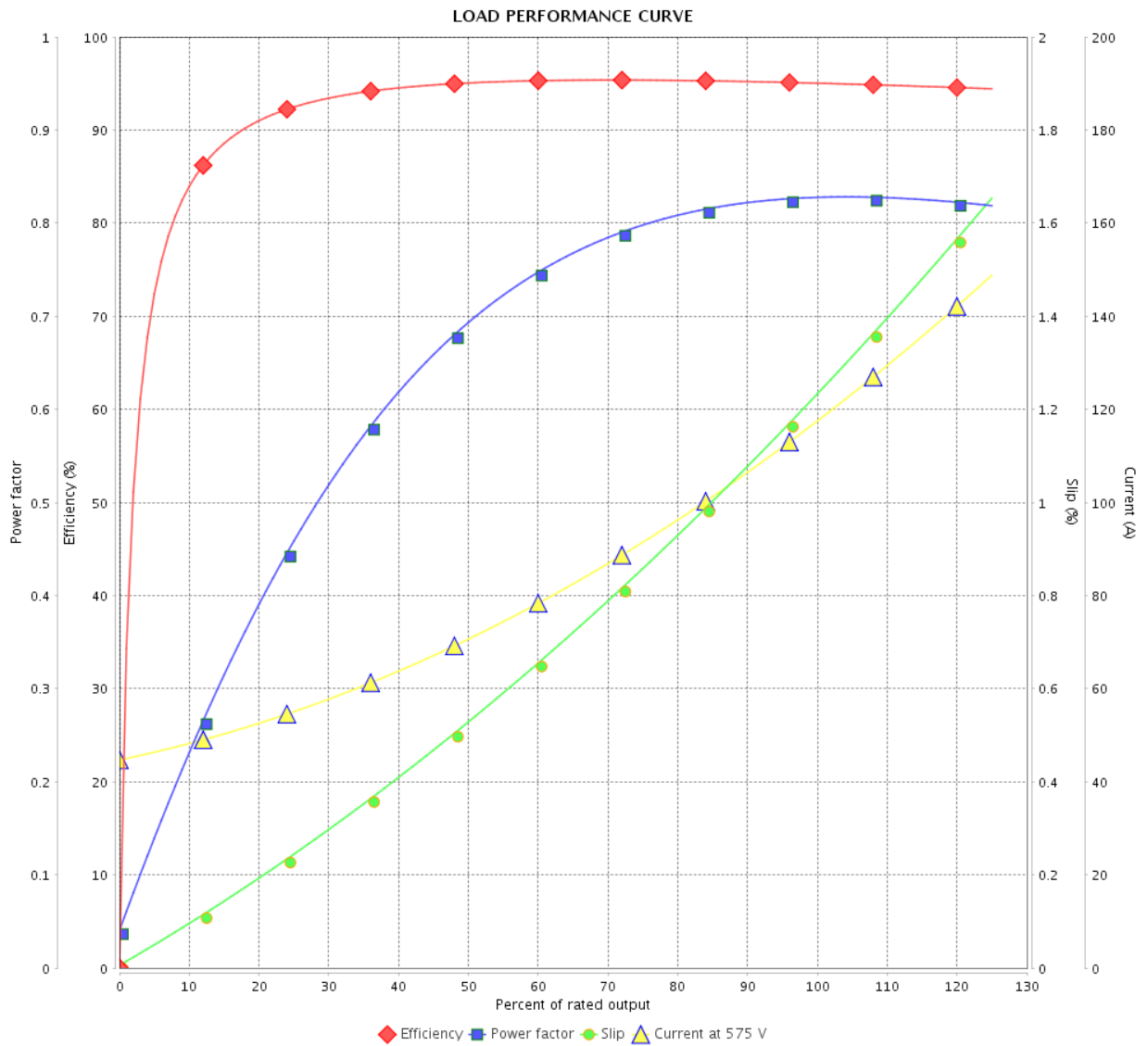


Customer :

Product line : NEMA Premium Efficiency Three-Phase

Product code : 12810716

Catalog # : 12512ET3H445T-W22



Performance : 575 V 60 Hz 6P

Rated current : 114 A  
 LRC : 6.4  
 Rated torque : 554 ft.lb  
 Locked rotor torque : 210 %  
 Breakdown torque : 240 %  
 Rated speed : 1185 rpm

Moment of inertia (J) : 104 sq.ft.lb  
 Duty cycle : Cont.(S1)  
 Insulation class : F  
 Service factor : 1.15  
 Temperature rise : 80 K  
 Design : B

Rev.	Changes Summary	Performed	Checked	Date
Performed by				
Checked by				
Date				
		Page	Revision	
		3 / 6		

# THERMAL LIMIT CURVE

## Three Phase Induction Motor - Squirrel Cage



Customer :

Product line : NEMA Premium Efficiency Three-Phase  
Product code : 12810716  
Catalog # : 12512ET3H445T-W22

Performance : 575 V 60 Hz 6P

Rated current	: 114 A	Moment of inertia (J)	: 104 sq.ft.lb
LRC	: 6.4	Duty cycle	: Cont.(S1)
Rated torque	: 554 ft.lb	Insulation class	: F
Locked rotor torque	: 210 %	Service factor	: 1.15
Breakdown torque	: 240 %	Temperature rise	: 80 K
Rated speed	: 1185 rpm	Design	: B

Heating constant

Cooling constant

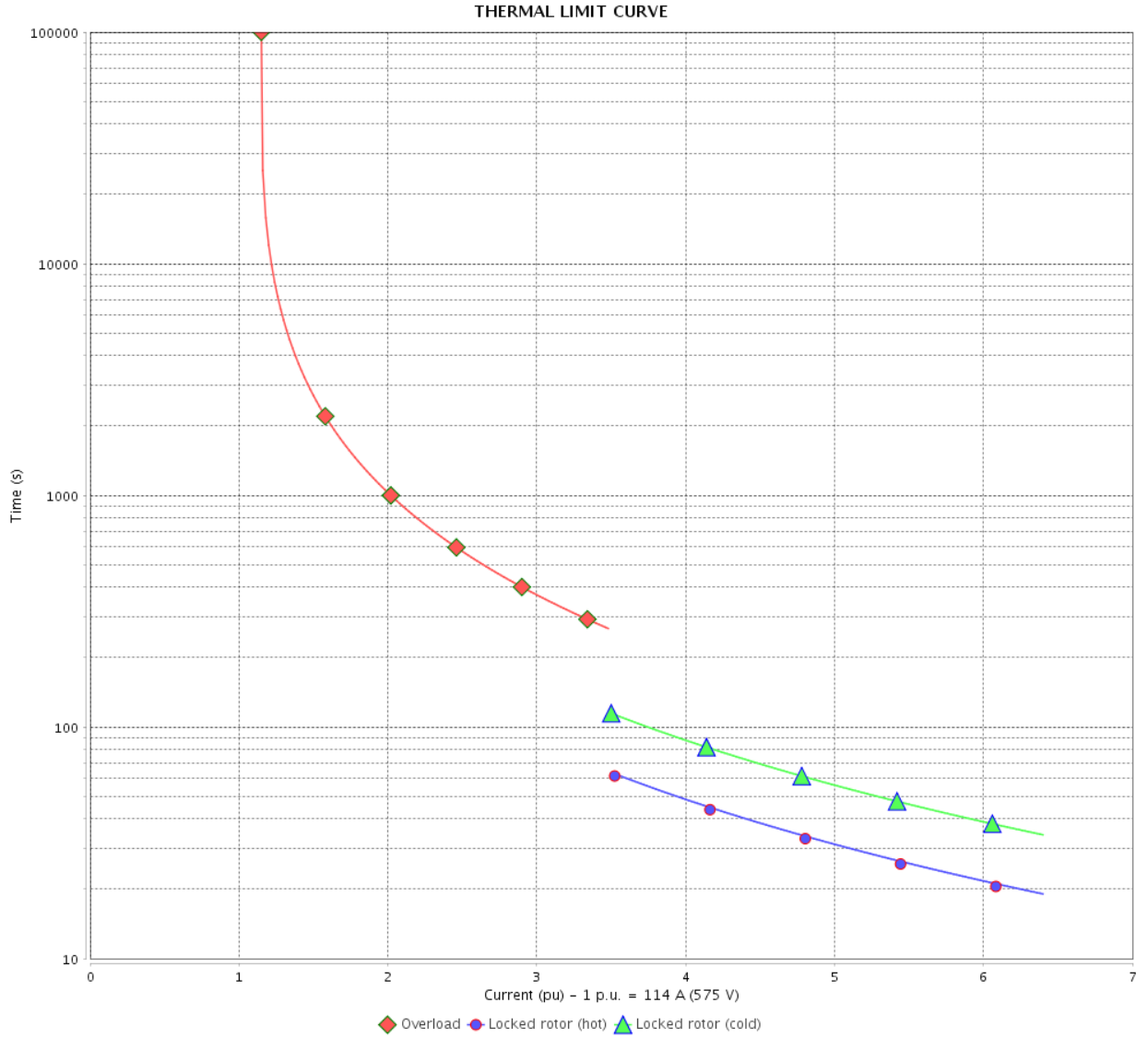
Rev.	Changes Summary	Performed	Checked	Date
Performed by				
Checked by			Page	Revision
Date	13/04/2022		4 / 6	

# THERMAL LIMIT CURVE

Three Phase Induction Motor - Squirrel Cage



Customer : \_\_\_\_\_



Rev.	Changes Summary	Performed	Checked	Date
Performed by		Page 5 / 6		Revision
Checked by				
Date				

# VFD OPERATION CURVE

Three Phase Induction Motor - Squirrel Cage



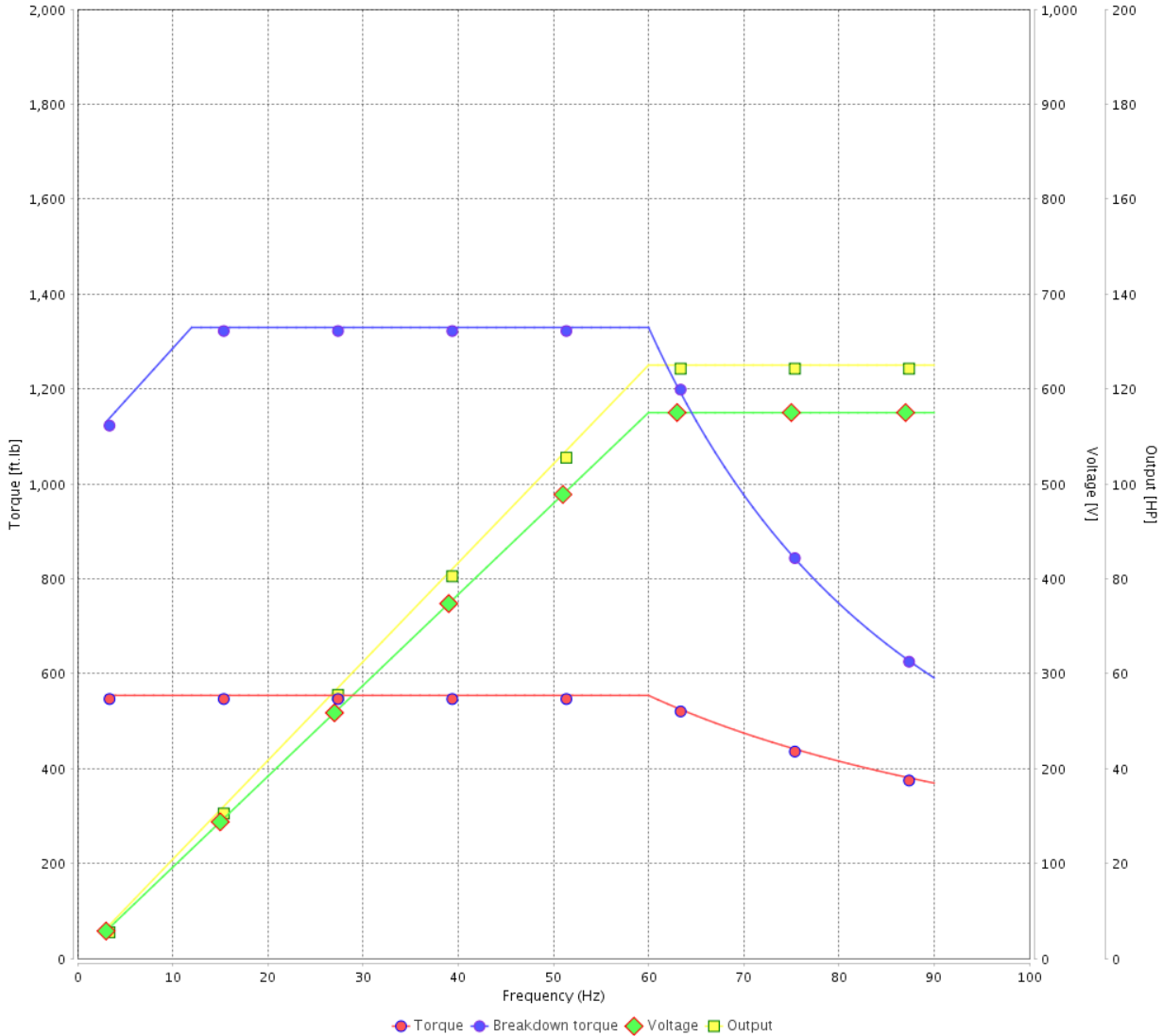
Customer :

Product line : NEMA Premium Efficiency Three-Phase

Product code : 12810716

Catalog # : 12512ET3H445T-W22

VFD OPERATION CURVE



Performance : 575 V 60 Hz 6P

Rated current	: 114 A	Moment of inertia (J)	: 104 sq.ft.lb
LRC	: 6.4	Duty cycle	: Cont.(S1)
Rated torque	: 554 ft.lb	Insulation class	: F
Locked rotor torque	: 210 %	Service factor	: 1.15
Breakdown torque	: 240 %	Temperature rise	: 80 K
Rated speed	: 1185 rpm	Design	: B

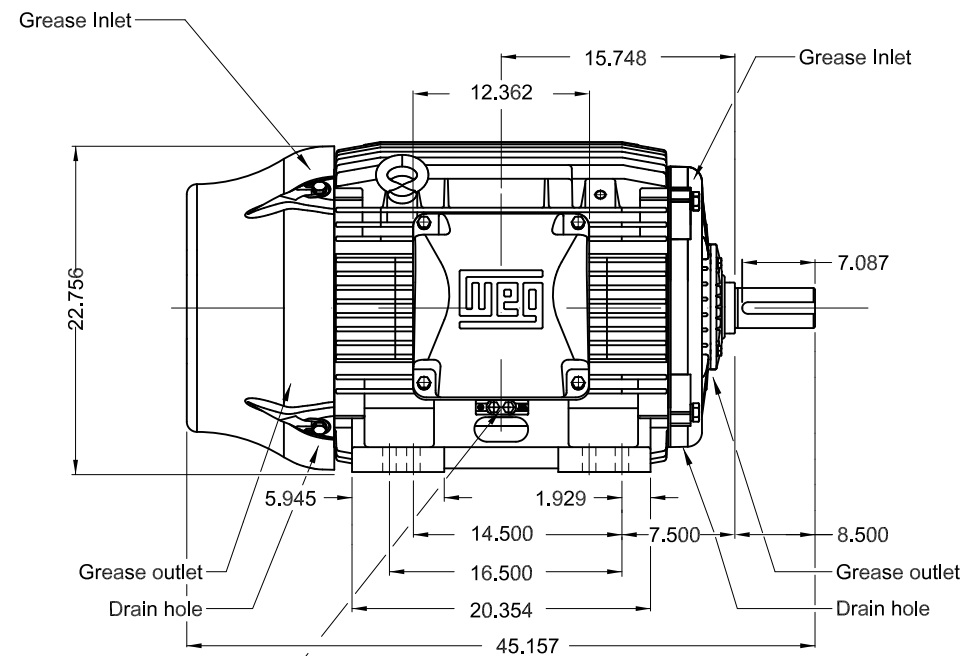
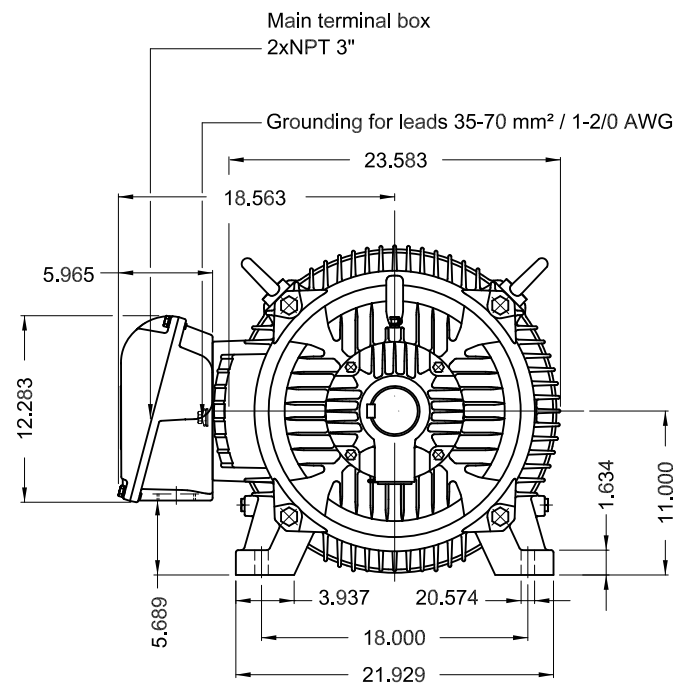
Rev.	Changes Summary	Performed	Checked	Date
Performed by			Page 6 / 6	Revision
Checked by				
Date	13/04/2022			

1 2 3 4 5 6

A

B

C

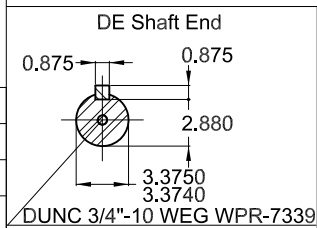


Grounding for leads 25-185 mm² / 3AWG-350MCM

D

E

Color RAL 5009  
 Painting plan 203A  
 Mounting NEMA F-1  
 Mounting B3R(D)



125 HP 06 Poles 60 Hz A

ECM	LOC	SUMMARY OF MODIFICATIONS	EXECUTED	CHECKED	RELEASED	DATE	VER
EXECUTED	PIRWBUSER	THREE PH. MOTOR W22 PREM. EFF.					
CHECKED		FRAME 444/5T IP55 TEFC					
RELEASED							
REL DT.	WMO	Jaragua do Sul	Product Engineering	SHEET	1 / 1		

PREVIEW  
 WDD





**NEMA**  
Premium  
W22



FOR SAFE AREA  
Mod.TE1BFOXON  
CC029A



Class I, Div 2, Gr A, B, C and D - T3  
Class I, Zone 2, IIC - T3  
Class II, Div 2, Gr F and G - T3C  
For use on PWM: Gr. A, B, C, D and F,  
VT 1000:1, CT 20:1, 1.00SF - T3A

MODEL 12512ET3H445T-W22

Inverter Duty Motor  
Severe Duty

PH3 60Hz Fr. 444/5T 1000m.a.s.l. IP55 TEFC 1796lb

V 575

A 114

HP 125

kW 90

SF 1.15

SFA 131

RPM 1185

PF 0.83

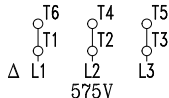
AMB 40°C

INS cl. F DT80K

NEMA NOM EFF 95.0%

DUTY CONT.

DES B Code G



→ 6319-C3 (45g)

→ 6316-C3 (34g)



MOBIL POLYREX EM (13000h)



MADE IN BRAZIL  
12810716