

DATA SHEET



Three Phase Induction Motor - Squirrel Cage

Customer :			
Product line	: W40 NEMA Premium Efficiency Three-Phase	Product code :	14272926
		Catalog # :	12518OT3H405T-W40G
Frame	: 404/5T	Locked rotor time	: 18s (cold) 10s (hot)
Output	: 125 HP	Temperature rise	: 80 K
Poles	: 4	Duty cycle	: Cont.(S1)
Frequency	: 60 Hz	Ambient temperature	: -20°C to +40°C
Rated voltage	: 575 V	Altitude	: 1000 m.a.s.l.
Rated current	: 110 A	Protection degree	: IP23
L. R. Amperes	: 762 A	Cooling method	: IC01 - ODP
LRC	: 6.9x(Code G)	Mounting	: F-1
No load current	: 37.6 A	Rotation ¹	: Both (CW and CCW)
Rated speed	: 1780 rpm	Noise level ²	: 69.0 dB(A)
Slip	: 1.11 %	Starting method	: Direct On Line
Rated torque	: 369 ft.lb	Approx. weight ³	: 1072 lb
Locked rotor torque	: 270 %		
Breakdown torque	: 260 %		
Insulation class	: F		
Service factor	: 1.25		
Moment of inertia (J)	: 25.5 sq.ft.lb		
Design	: B		
Output	25% 50% 75% 100%	Foundation loads	
Efficiency (%)	94.9 95.0 95.4 95.4	Max. traction	: 2339 lb
Power Factor	0.50 0.75 0.83 0.86	Max. compression	: 3411 lb
Bearing type	: <u>Drive end</u> 6316 C3	<u>Non drive end</u> 6212 Z C3	
Sealing	: Without Bearing Seal	Without Bearing Seal	
Lubrication interval	: 20000 h	20000 h	
Lubricant amount	: 34 g	13 g	
Lubricant type	: Mobil Polyrex EM		
Notes			
This revision replaces and cancel the previous one, which must be eliminated. (1) Looking the motor from the shaft end. (2) Measured at 1m and with tolerance of +3dB(A). (3) Approximate weight subject to changes after manufacturing process. (4) At 100% of full load.		These are average values based on tests with sinusoidal power supply, subject to the tolerances stipulated in NEMA MG-1.	
Rev.	Changes Summary	Performed	Checked
			Date
Performed by			
Checked by		Page	Revision
Date	13/04/2022	1 / 6	

TORQUE AND CURRENT VS SPEED CURVE

Three Phase Induction Motor - Squirrel Cage



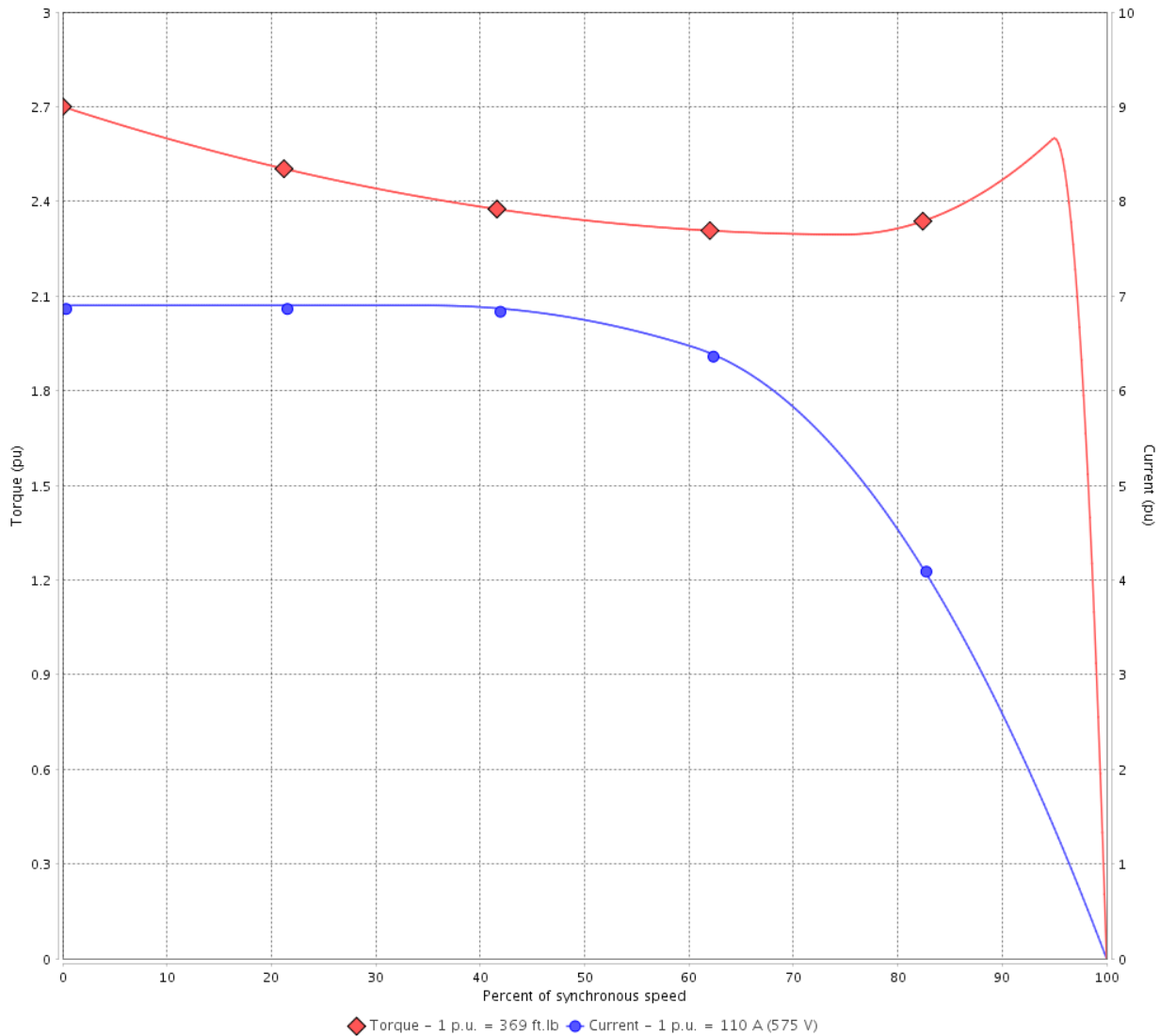
Customer :

Product line : W40 NEMA Premium Efficiency
Three-Phase

Product code : 14272926

Catalog # : 12518OT3H405T-W40G

TORQUE AND CURRENT VS SPEED CURVE



Performance : 575 V 60 Hz 4P

Rated current	: 110 A	Moment of inertia (J)	: 25.5 sq.ft.lb
LRC	: 6.9	Duty cycle	: Cont.(S1)
Rated torque	: 369 ft.lb	Insulation class	: F
Locked rotor torque	: 270 %	Service factor	: 1.25
Breakdown torque	: 260 %	Temperature rise	: 80 K
Rated speed	: 1780 rpm	Design	: B

Locked rotor time : 18s (cold) 10s (hot)

Rev.	Changes Summary	Performed	Checked	Date
Performed by			Page 2 / 6	Revision
Checked by				
Date	13/04/2022			

LOAD PERFORMANCE CURVE

Three Phase Induction Motor - Squirrel Cage

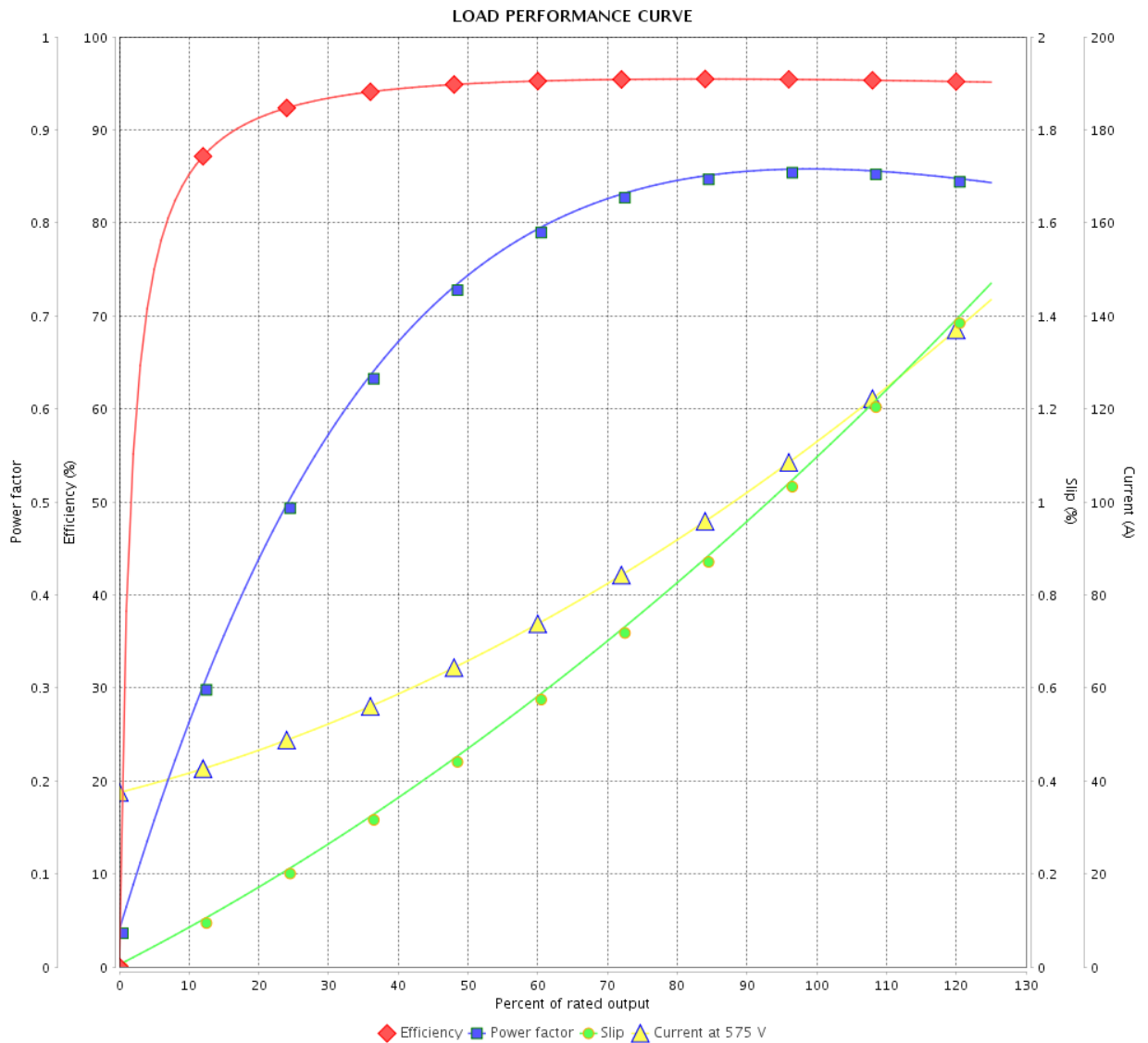


Customer :

Product line : W40 NEMA Premium Efficiency Three-Phase

Product code : 14272926

Catalog # : 12518OT3H405T-W40G



Performance : 575 V 60 Hz 4P

Rated current : 110 A
 LRC : 6.9
 Rated torque : 369 ft.lb
 Locked rotor torque : 270 %
 Breakdown torque : 260 %
 Rated speed : 1780 rpm

Moment of inertia (J) : 25.5 sq.ft.lb
 Duty cycle : Cont.(S1)
 Insulation class : F
 Service factor : 1.25
 Temperature rise : 80 K
 Design : B

Rev.	Changes Summary	Performed	Checked	Date
Performed by		Page		Revision
Checked by		3 / 6		
Date		13/04/2022		

THERMAL LIMIT CURVE

Three Phase Induction Motor - Squirrel Cage



Customer :

Product line : W40 NEMA Premium Efficiency
Three-Phase

Product code : 14272926

Catalog # : 12518OT3H405T-W40G

Performance : 575 V 60 Hz 4P

Rated current	: 110 A	Moment of inertia (J)	: 25.5 sq.ft.lb
LRC	: 6.9	Duty cycle	: Cont.(S1)
Rated torque	: 369 ft.lb	Insulation class	: F
Locked rotor torque	: 270 %	Service factor	: 1.25
Breakdown torque	: 260 %	Temperature rise	: 80 K
Rated speed	: 1780 rpm	Design	: B

Heating constant

Cooling constant

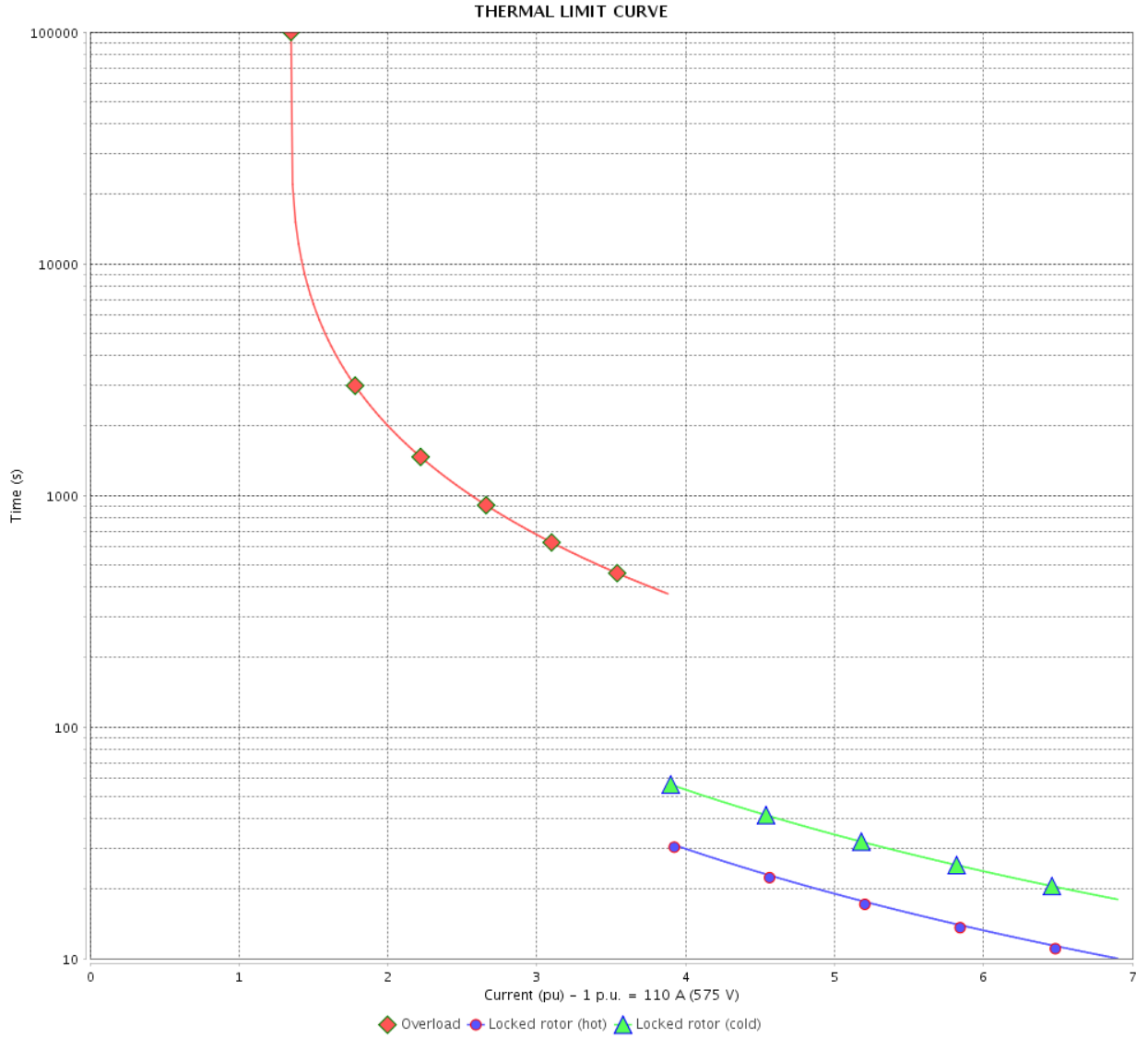
Rev.	Changes Summary	Performed	Checked	Date
Performed by				
Checked by			Page	Revision
Date	13/04/2022		4 / 6	

THERMAL LIMIT CURVE

Three Phase Induction Motor - Squirrel Cage



Customer : _____



Rev.	Changes Summary	Performed	Checked	Date
Performed by		Page 5 / 6		Revision
Checked by				
Date				

VFD OPERATION CURVE

Three Phase Induction Motor - Squirrel Cage

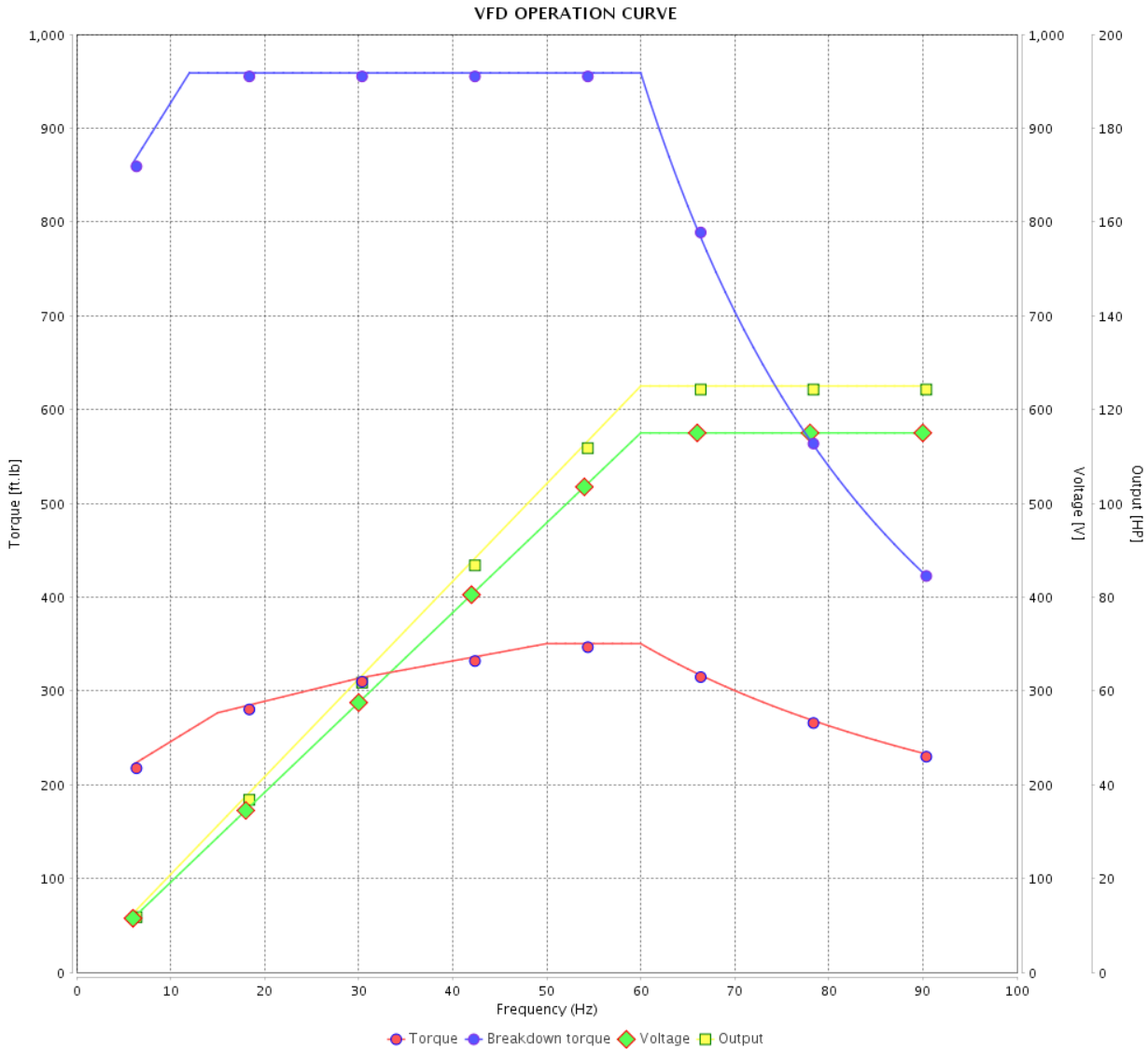


Customer :

Product line : W40 NEMA Premium Efficiency
Three-Phase

Product code : 14272926

Catalog # : 12518OT3H405T-W40G

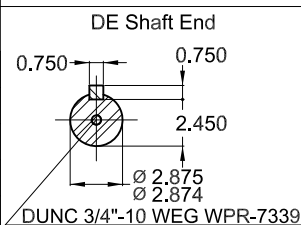
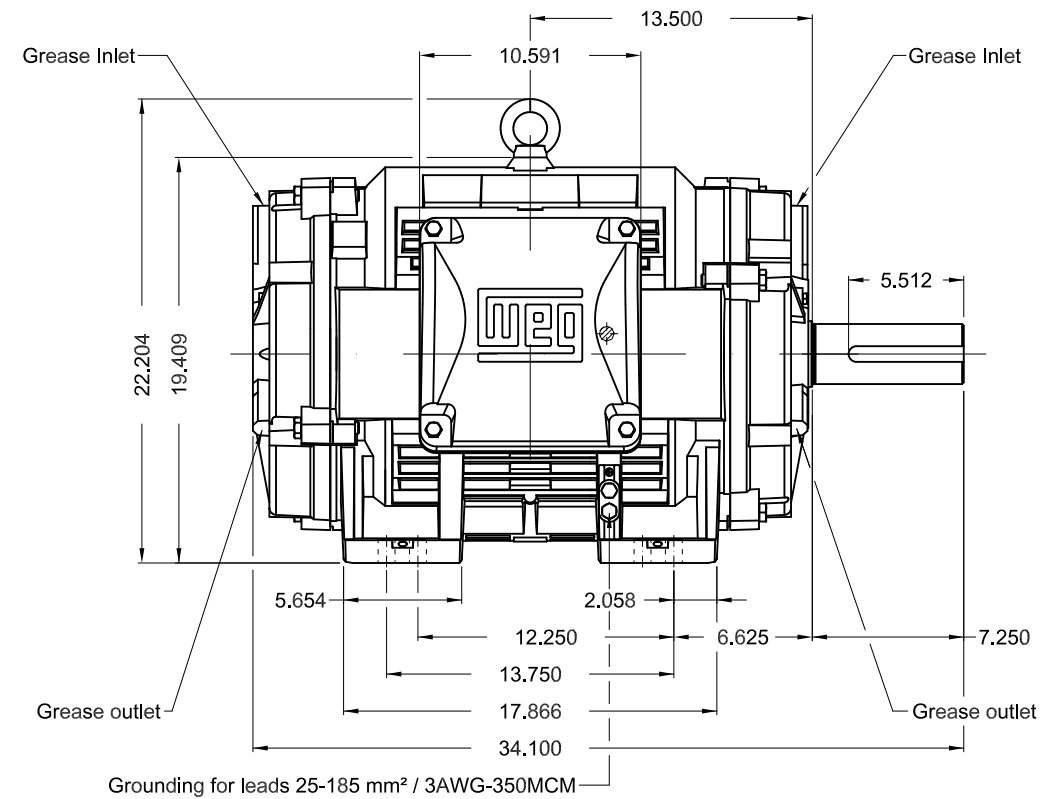
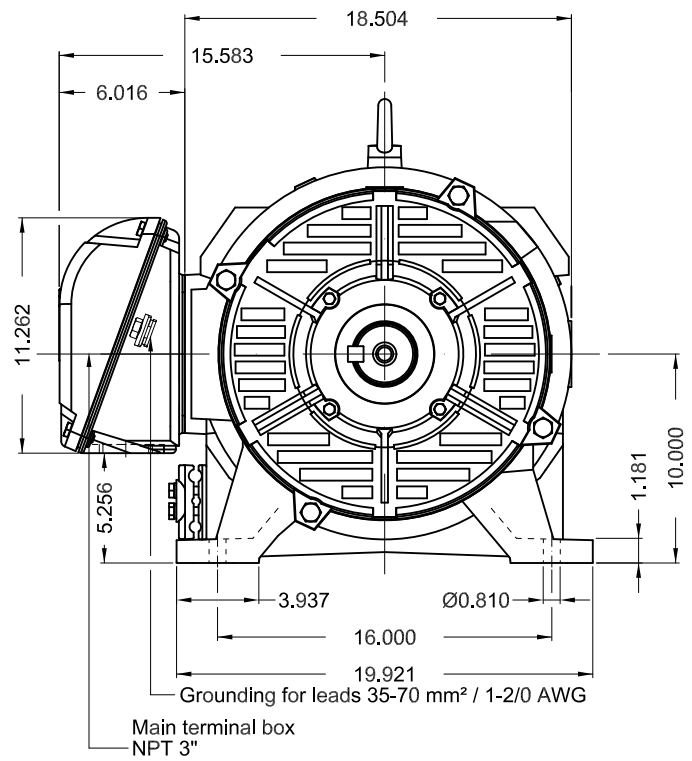


Performance : 575 V 60 Hz 4P

Rated current : 110 A
LRC : 6.9
Rated torque : 369 ft.lb
Locked rotor torque : 270 %
Breakdown torque : 260 %
Rated speed : 1780 rpm

Moment of inertia (J) : 25.5 sq.ft.lb
Duty cycle : Cont.(S1)
Insulation class : F
Service factor : 1.25
Temperature rise : 80 K
Design : B

Rev.	Changes Summary	Performed	Checked	Date
Performed by			Page 6 / 6	Revision
Checked by				
Date	13/04/2022			



- Internal AEGIS ground ring on the DE
- Color RAL 5009
- Painting plan 203A
- Mounting NEMA F-1
- Mounting B3R(D)

125 HP 04 Poles 60 Hz

A

1:9

ECM	LOC	SUMMARY OF MODIFICATIONS	EXECUTED	CHECKED	RELEASED	DATE	VER
EXECUTED	PIRWBUSER	THREE PH. MOTOR W40 PREM. EFF.					
CHECKED		FRAME 404/5T IP23 ODP					
RELEASED							
REL DT.		WMO Jaragua do Sul	Product Engineering	SHEET	1 / 1		

PREVIEW
WDD

